

US00D491804S1

(12) **United States Design Patent**
Benedetti

(10) **Patent No.:** **US D491,804 S**
(45) **Date of Patent:** **** Jun. 22, 2004**

- (54) **CONTAINER**
- (75) Inventor: **Giovanni Benedetti**, West Kilbride (GB)
- (73) Assignee: **Wallace Cameron & Company Limited** (GB)
- (**) Term: **14 Years**
- (21) Appl. No.: **29/156,482**
- (22) Filed: **Feb. 28, 2002**
- (30) **Foreign Application Priority Data**
Aug. 30, 2001 (GB) 2104428
- (51) **LOC (7) Cl.** **09-03**
- (52) **U.S. Cl.** **D9/420; D9/423; D9/424**
- (58) **Field of Search** D9/414, 420-425, D9/428, 337; D3/203, 201, 273, 276, 282, 385, 405; 206/216, 223, 314, 438-441, 63.5, 457, 521; 220/252, 253, 260, 315, 316, 810, 376, 212.5, 836, 837, 841, 844

- 2,877,779 A * 3/1959 Bromberg 220/844
- 3,373,892 A * 3/1968 Landen 220/844
- 4,802,605 A * 2/1989 Salmon et al. 220/810
- D347,731 S * 6/1994 Hayakawa et al. D3/285
- D352,525 S * 11/1994 Coe D9/420
- D362,546 S * 9/1995 Mundorf et al. D3/276
- D408,625 S 4/1999 Barker
- D423,345 S * 4/2000 Sugarman D9/420
- D444,704 S * 7/2001 Smouha D9/423
- 6,418,923 B1 * 7/2002 Cantrell 220/252

* cited by examiner

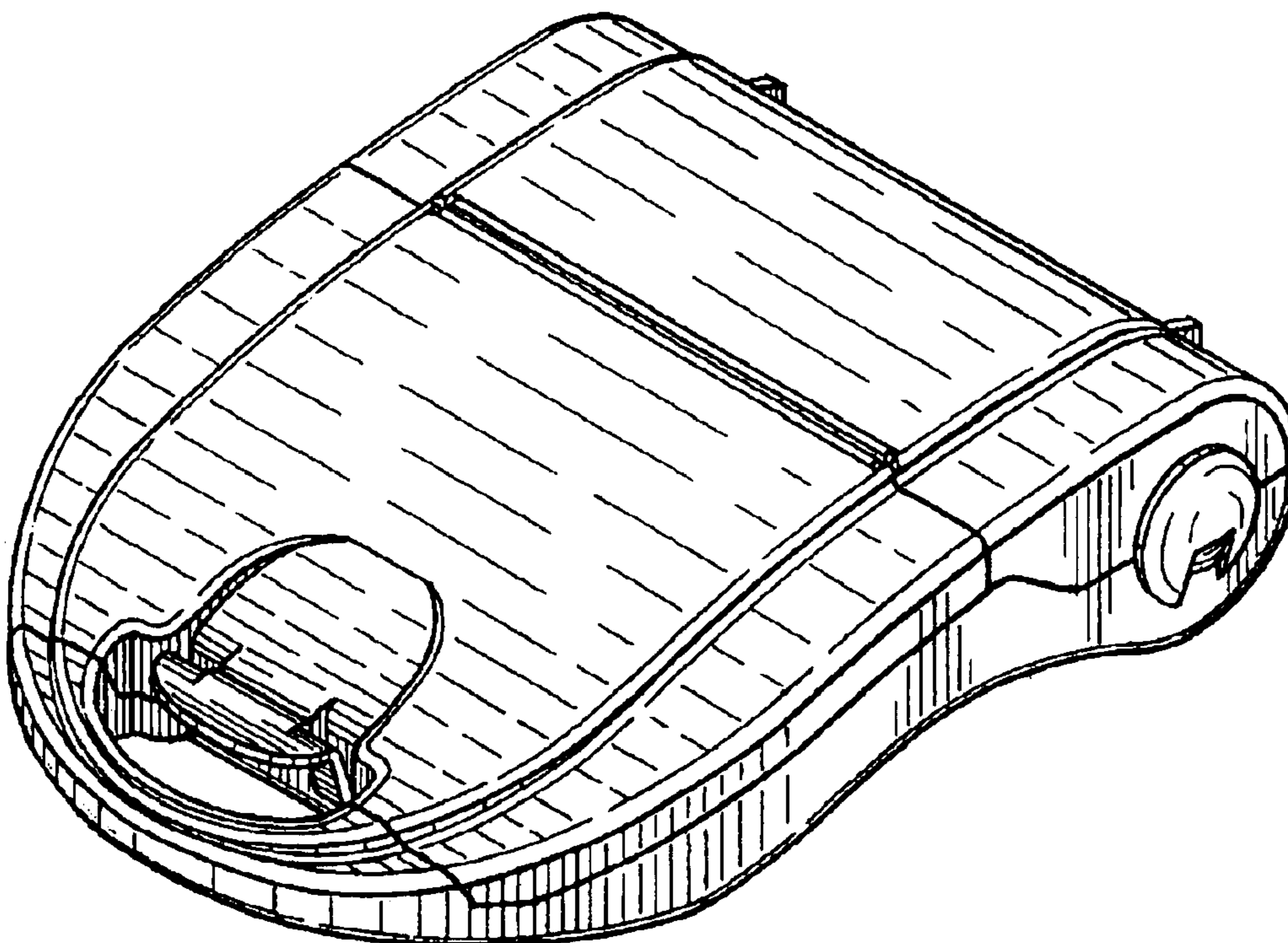
Primary Examiner—Prabhakar Deshmukh
(74) *Attorney, Agent, or Firm*—Wolf, Greenfield & Sacks, P.C.

- (56) **References Cited**
U.S. PATENT DOCUMENTS
1,925,635 A * 9/1933 Hartley 220/810
2,433,483 A * 12/1947 Root, Jr. 220/844

(57) **CLAIM**
The ornamental design for a container, as shown and described.

DESCRIPTION
FIG. 1 is a top plan view of a container showing my new design;
FIG. 2 is a side elevational view thereof;
FIG. 3 is a bottom plan view thereof;
FIG. 4 is a front elevational view thereof;
FIG. 5 is a rear elevational view thereof; and,
FIG. 6 is a perspective view thereof.

1 Claim, 2 Drawing Sheets



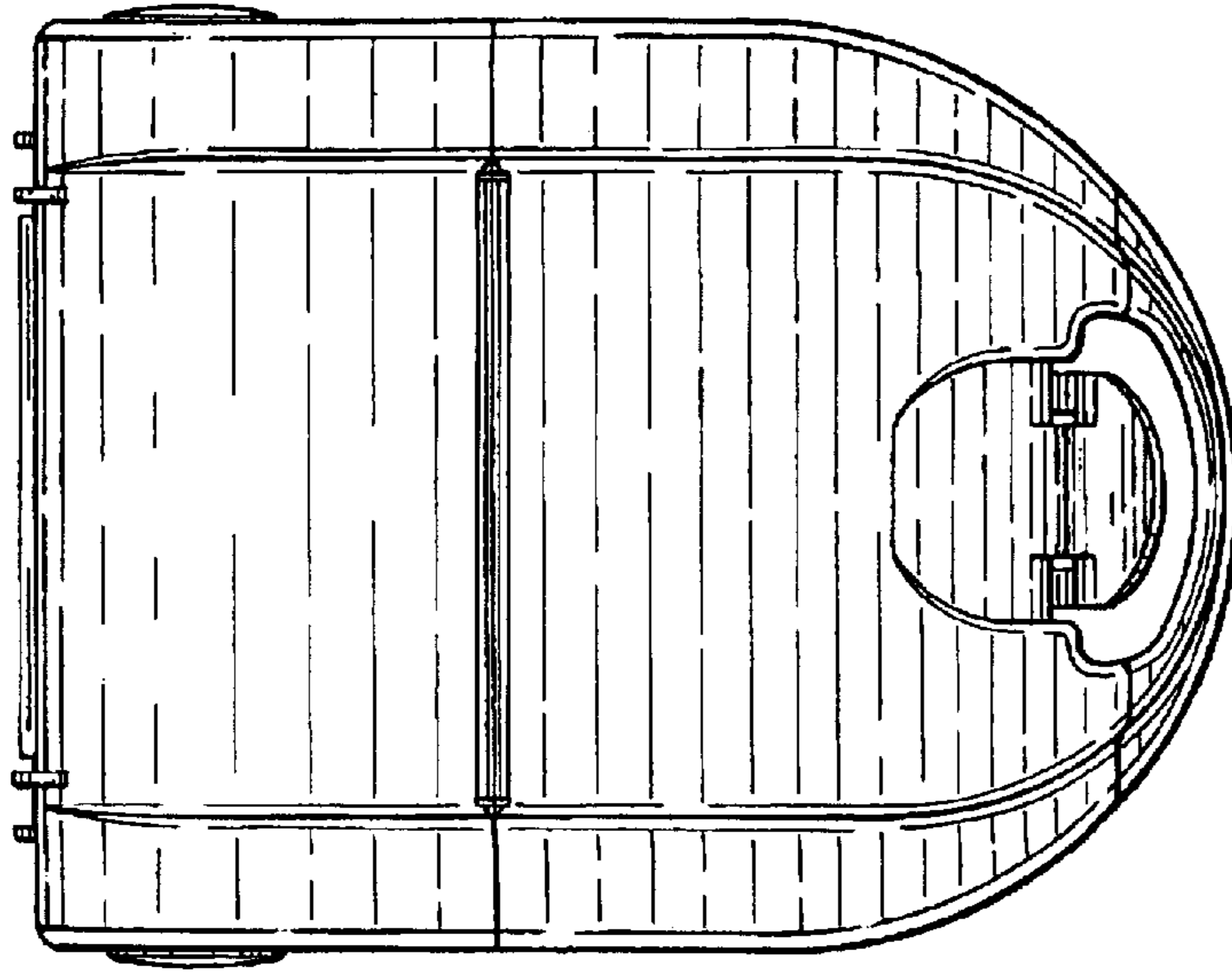


Fig. 1

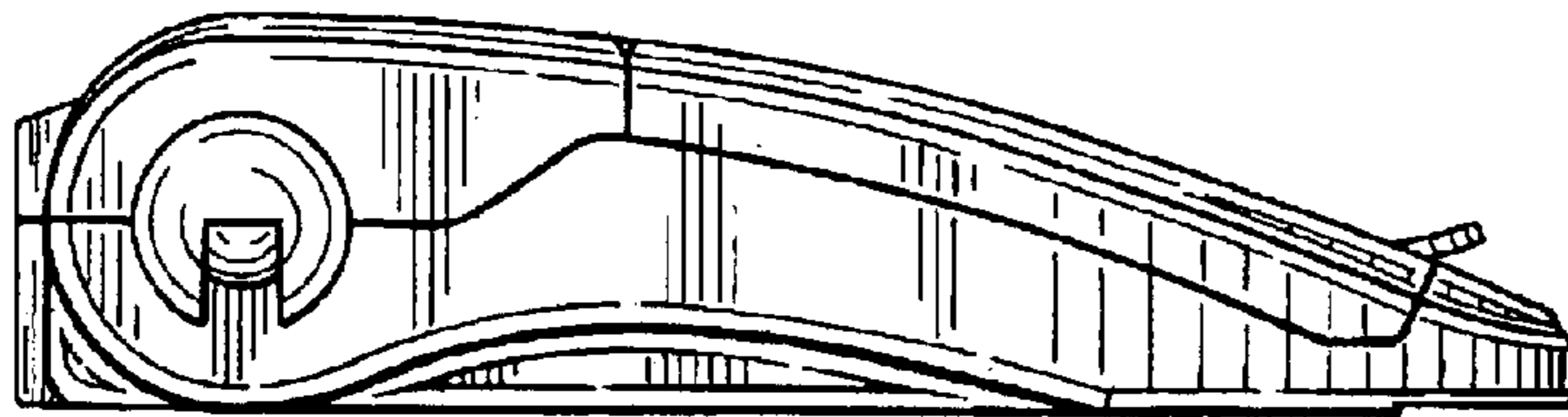


Fig. 2

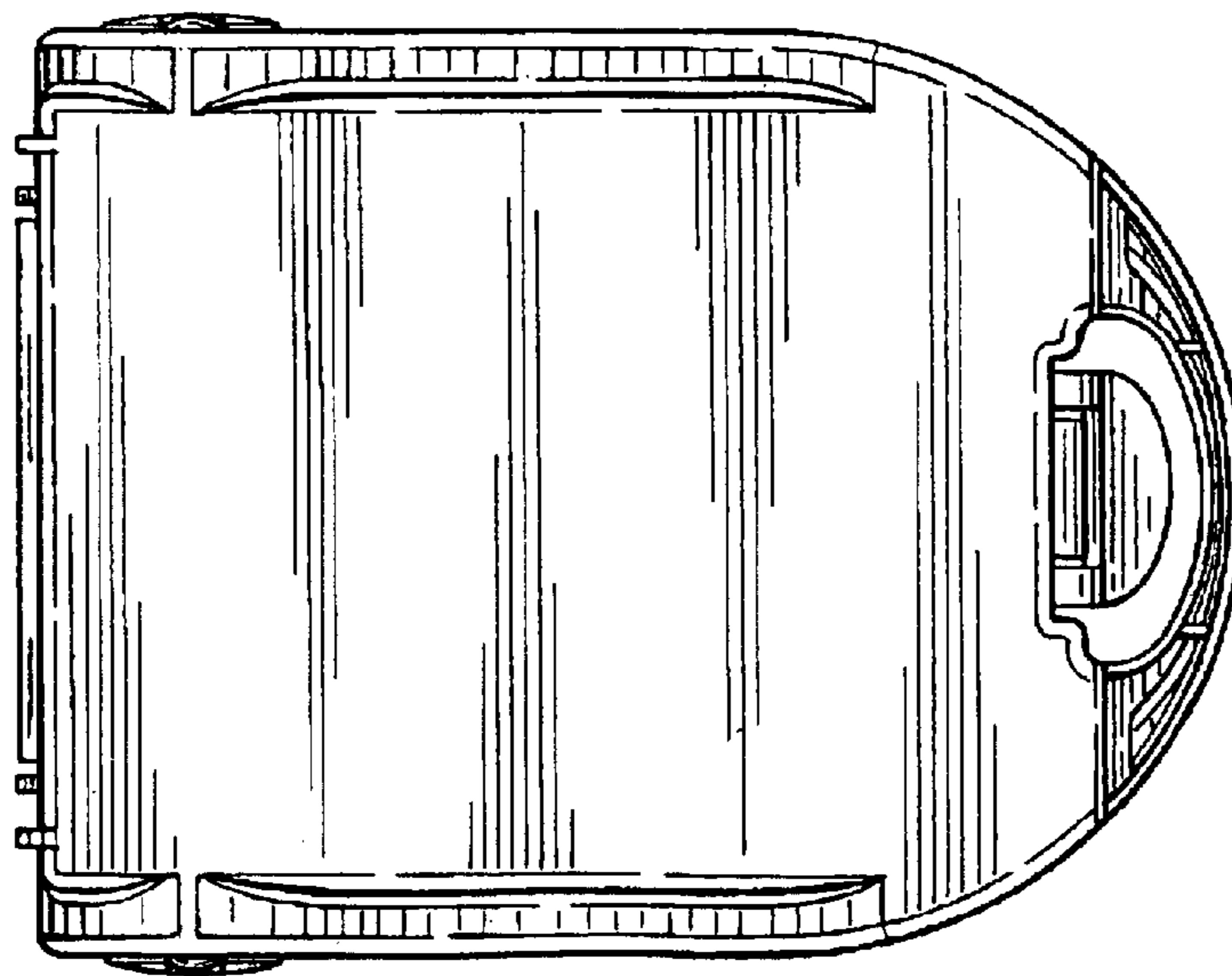


Fig. 3

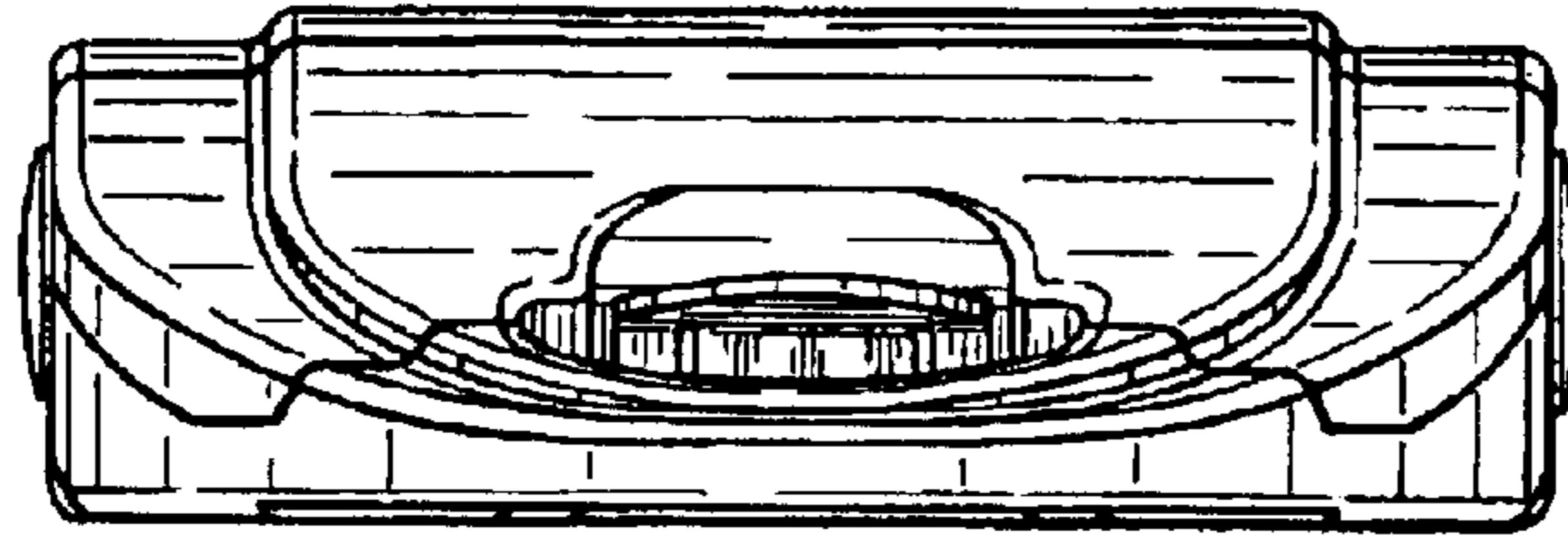


Fig. 4

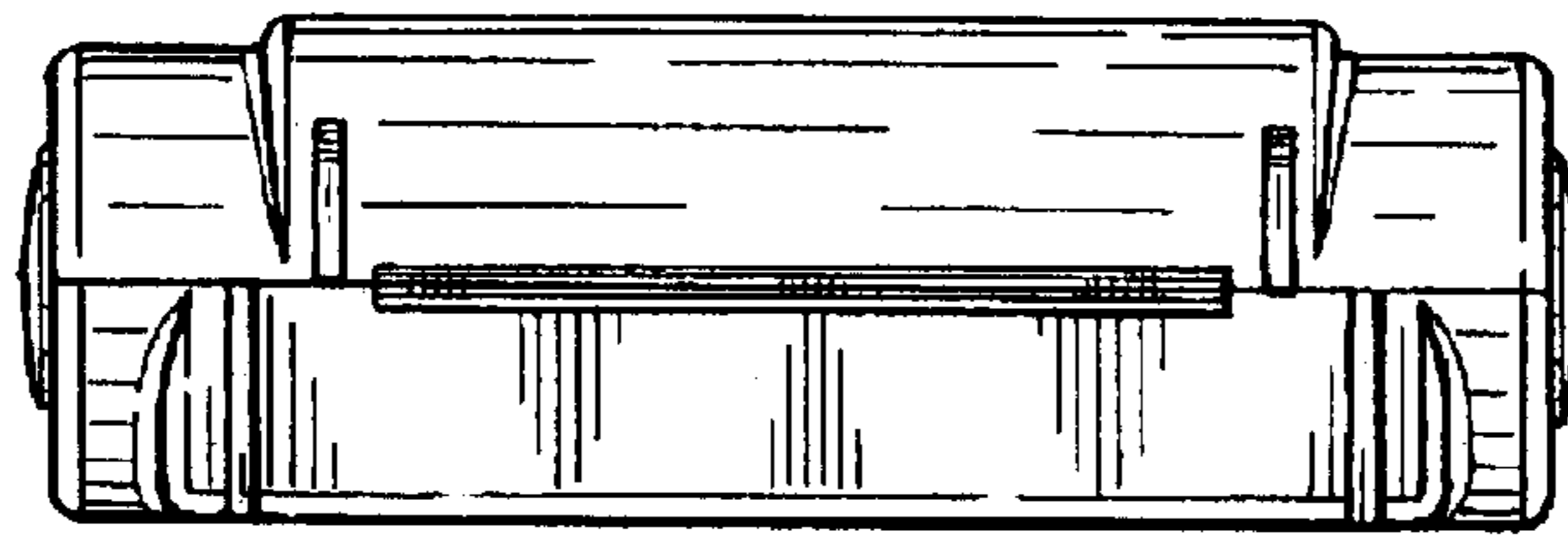


Fig. 5

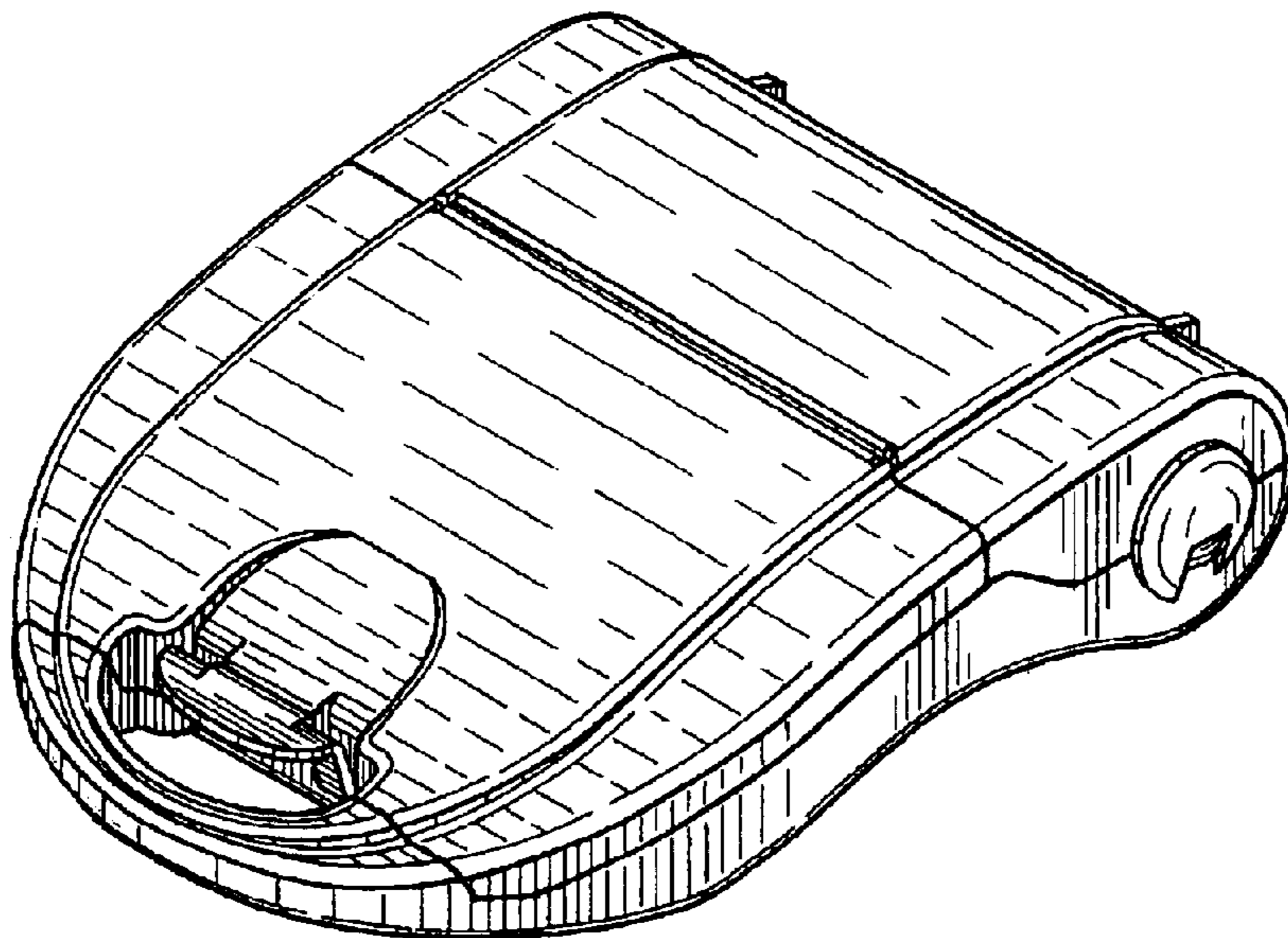


Fig. 6