

US00D491802S1

(12) **United States Design Patent**
Griffith et al.

(10) **Patent No.: US D491,802 S**
(45) **Date of Patent: ** Jun. 22, 2004**

(54) **CARRIER FOR PLANT STARTER POTS**
(75) Inventors: **Barry Griffith**, Rogers, AR (US);
James H. Sewell, Concord, NC (US)
(73) Assignee: **Tyson Foods, Inc.**, Springdale, AR
(US)
(**) Term: **14 Years**

5,161,710 A 11/1992 Chumley
5,415,277 A * 5/1995 Berntsen 206/144
5,481,825 A 1/1996 Aoyama
D370,869 S * 6/1996 Ray D11/156
5,664,370 A 9/1997 Boudreau et al.
5,833,056 A * 11/1998 Goldman 206/199
6,152,508 A * 11/2000 Slomski 294/87.2
6,158,587 A * 12/2000 Emery 206/427
6,202,836 B1 * 3/2001 Picciolo 206/194
D460,718 S * 7/2002 Beattie D11/155

(21) Appl. No.: **29/183,477**
(22) Filed: **Jun. 12, 2003**

* cited by examiner

(51) **LOC (7) Cl.** **09-03**
(52) **U.S. Cl.** **D9/344**
(58) **Field of Search** D9/341, 344, 403-433;
D11/145, 155, 156; 47/39, 44, 74, 84, 86;
206/139, 150-151, 160-162, 172, 193,
199-201; 220/757

Primary Examiner—Philip S. Hyder
Assistant Examiner—Daniel Bui

(74) *Attorney, Agent, or Firm*—Fellers, Snider,
Blankenship, Bailey & Tippens, P.C.

(57) **CLAIM**

The ornamental design for a carrier for plant starter pots, as shown and described.

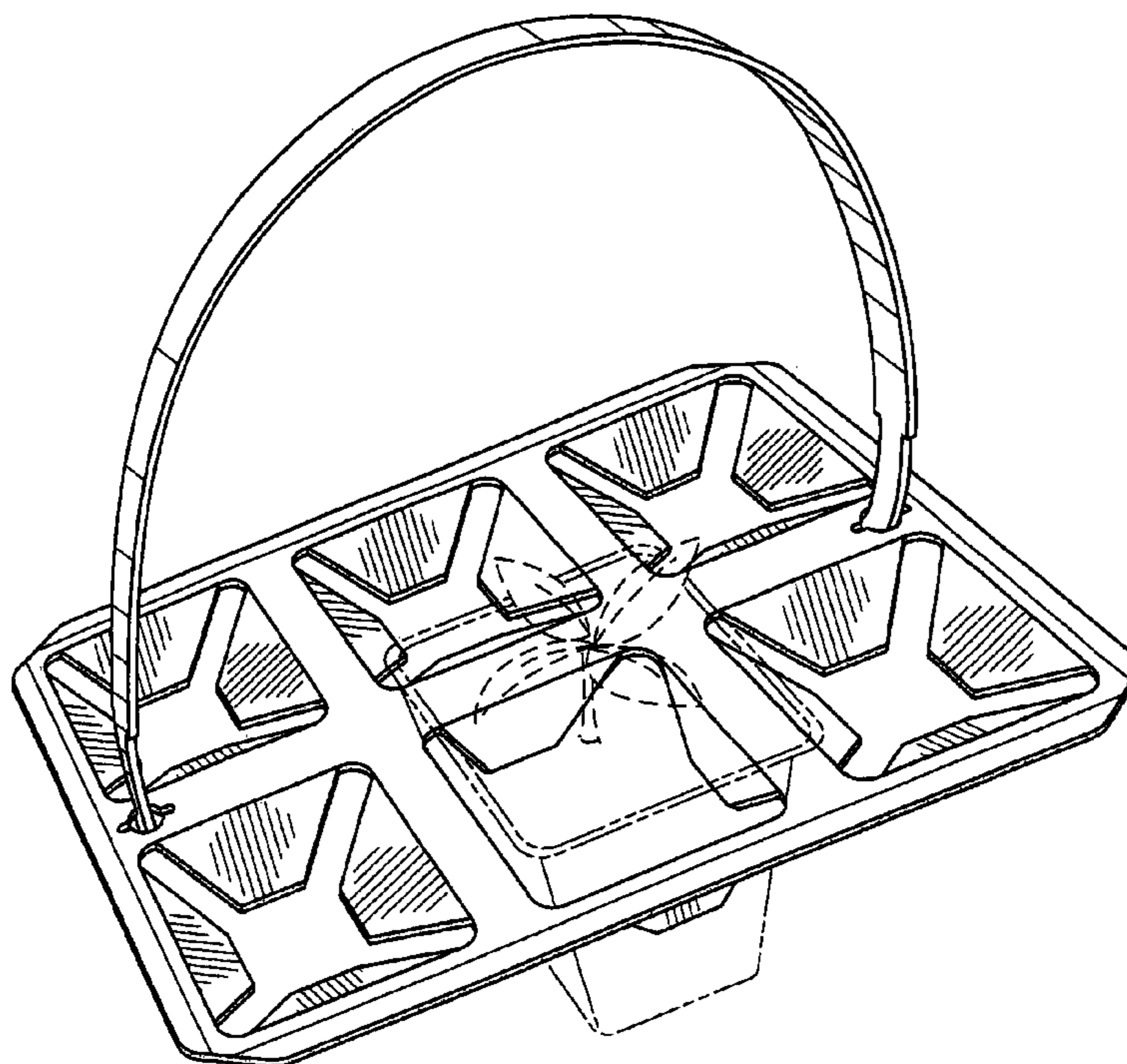
(56) **References Cited**
U.S. PATENT DOCUMENTS

DESCRIPTION

1,169,674 A 1/1916 Pelton
3,386,608 A 6/1968 Diller
3,660,934 A 5/1972 Pollack et al.
3,810,329 A 5/1974 Lecuru et al.
4,684,013 A 8/1987 Jacobs
4,793,097 A 12/1988 Whitcomb
4,887,388 A 12/1989 Waltel, Jr.
4,962,855 A 10/1990 Holmquist
5,022,183 A 6/1991 Bohlmann
D323,415 S * 1/1992 Iverson D3/313
5,131,540 A * 7/1992 Torterotot 206/427

FIG. 1 is an upper perspective view of a carrier for plant starter pots shown in accordance with our new design; FIG. 2 is a top plan view thereof; FIG. 3 is a bottom plan view thereof; FIG. 4 is a side elevational view thereof, the opposite side being a mirror image thereof; and, FIG. 5 is an end elevational view thereof, the opposite end being a mirror image thereof. Throughout the figures broken line showings are for illustrative purposes only and form no part of the claimed design.

1 Claim, 4 Drawing Sheets



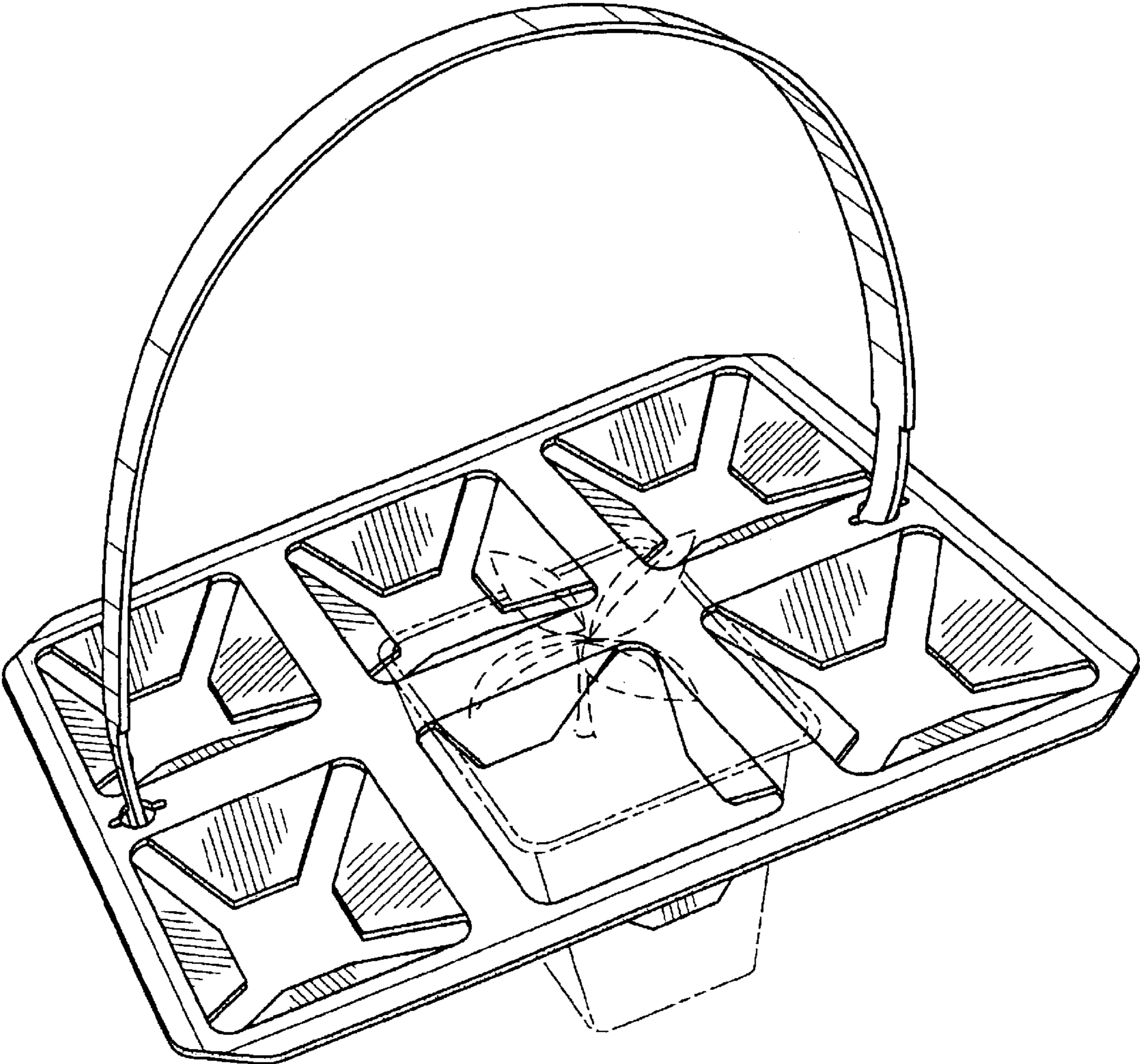


Fig. 1

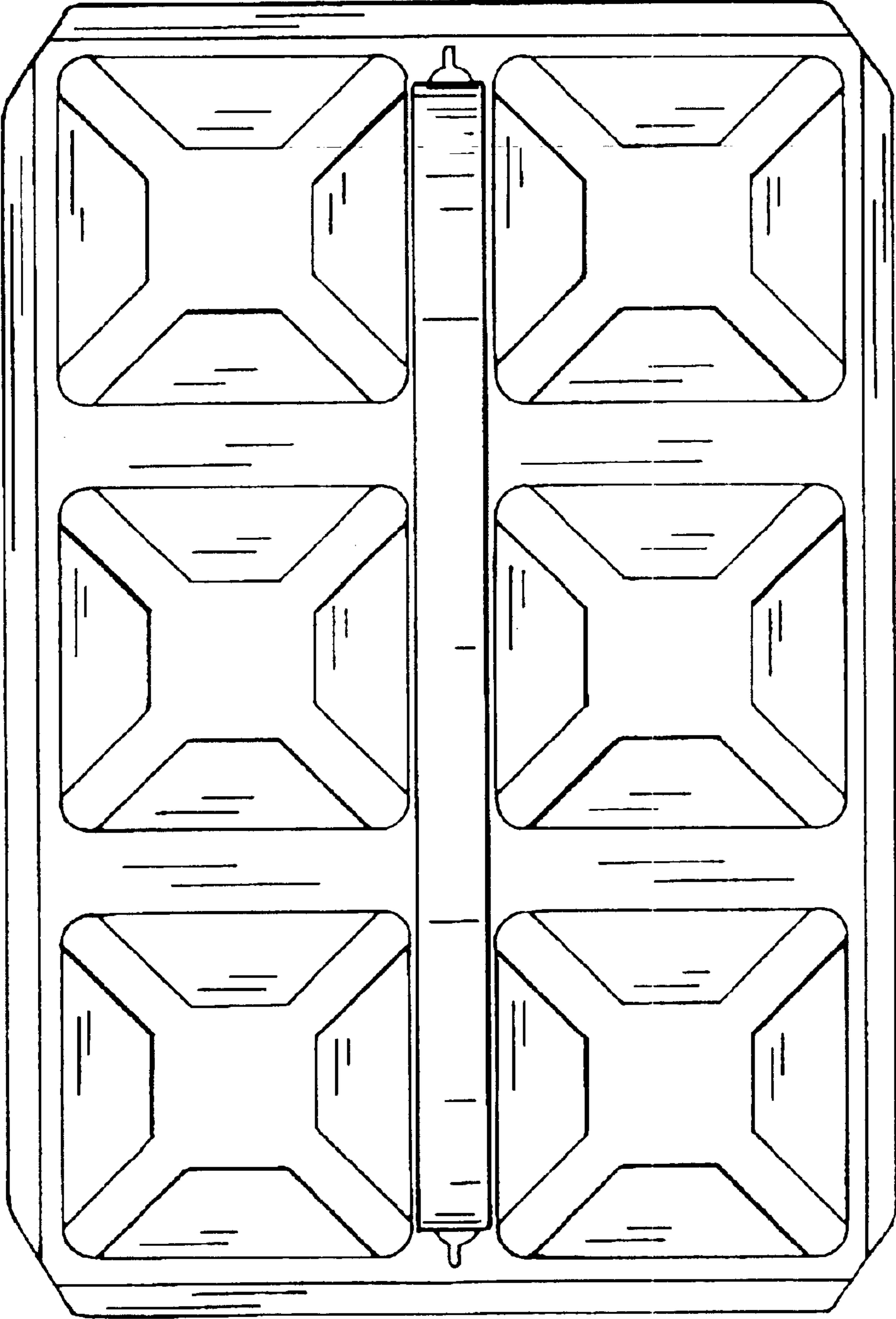


FIG. 2

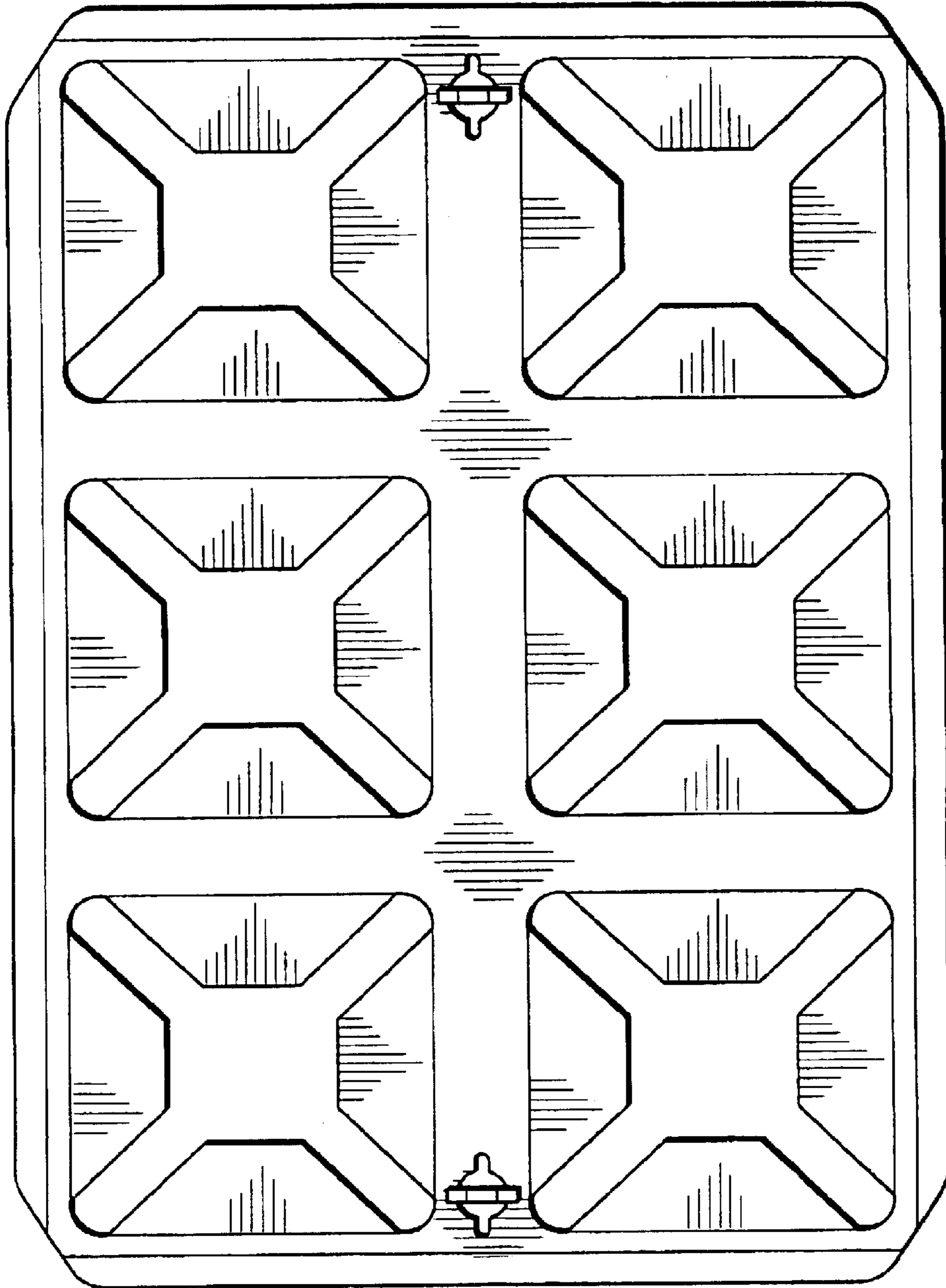


Fig. 3

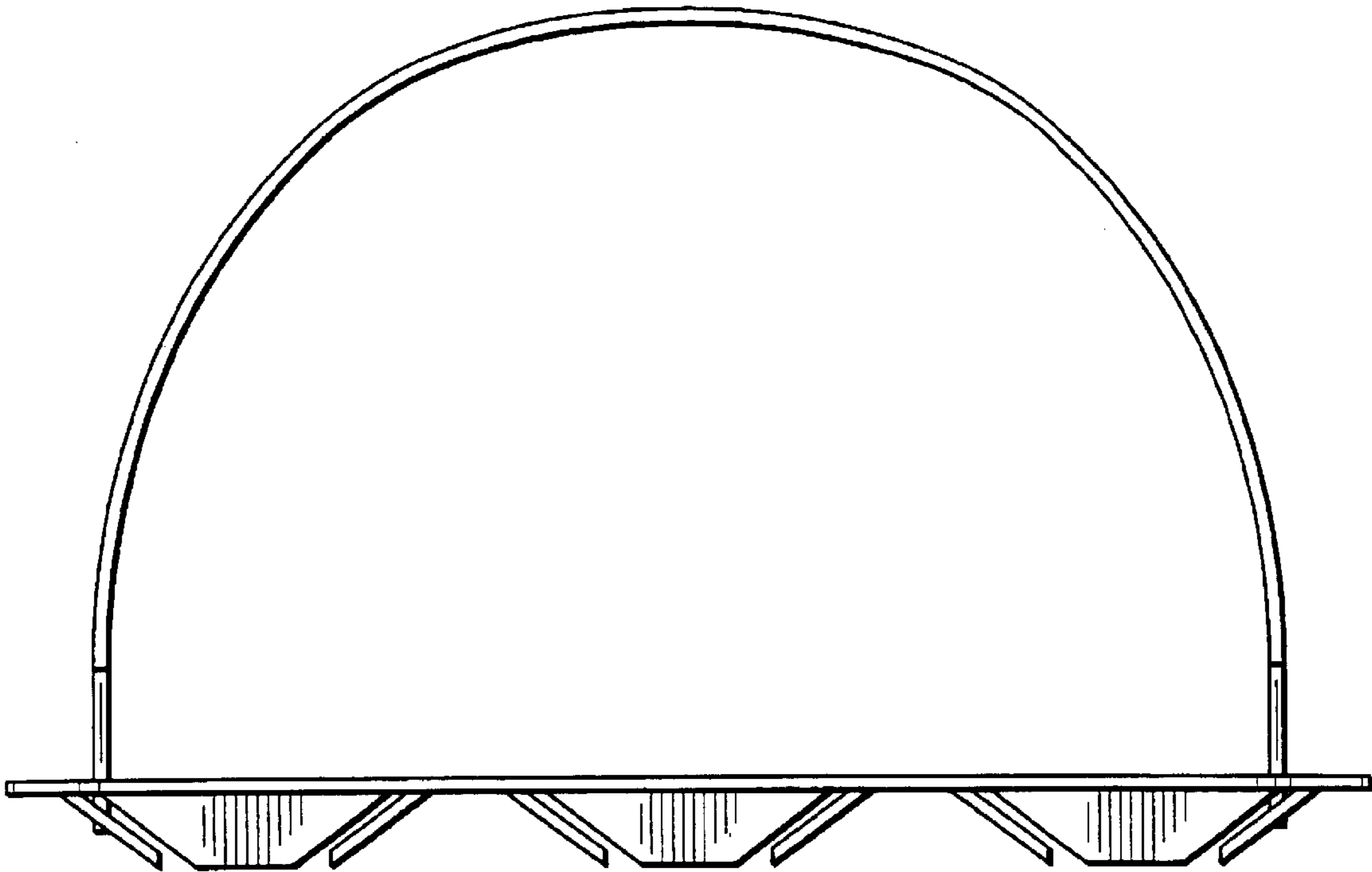


Fig. 4

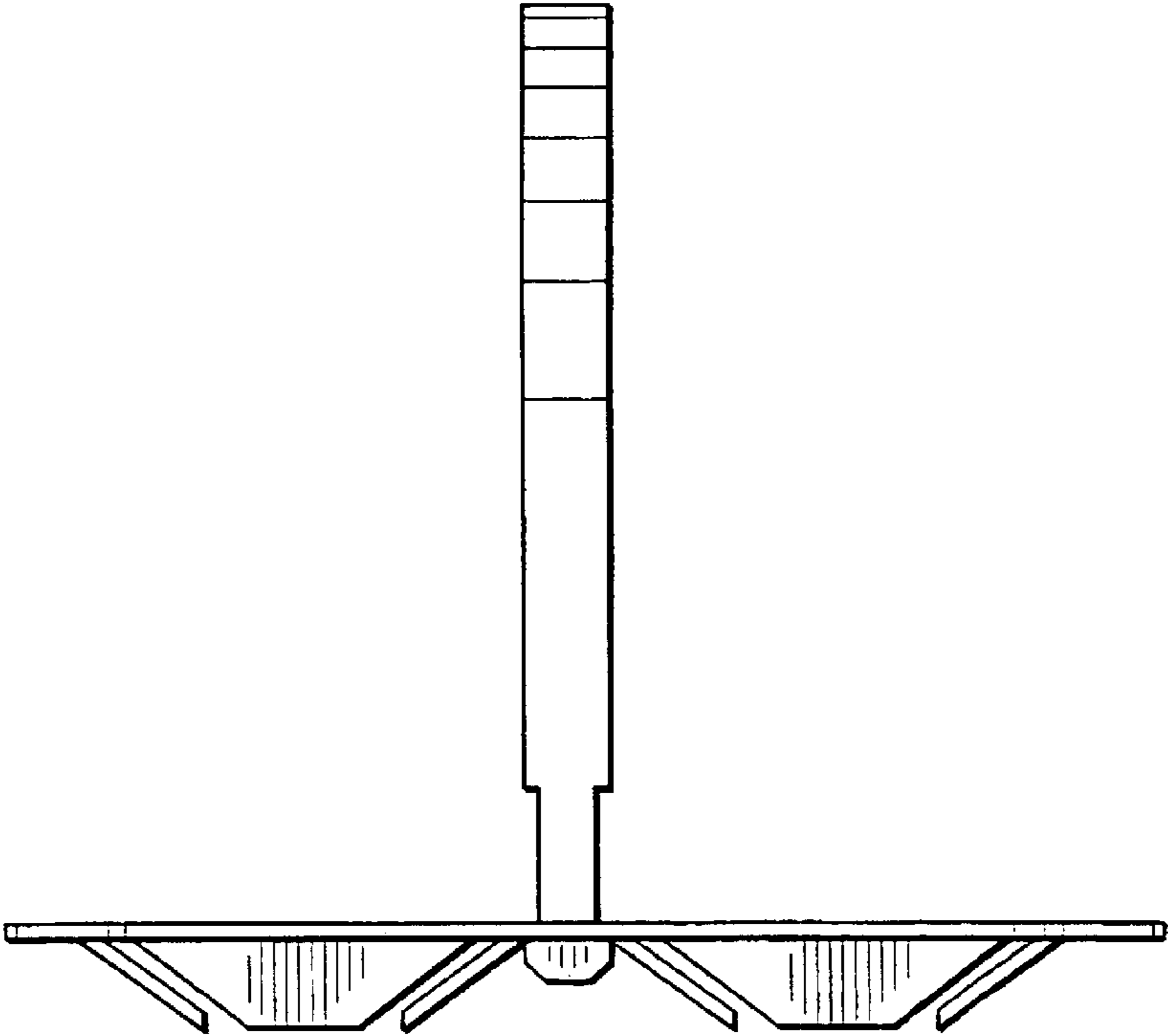


Fig. 5