

US00D491798S1

(12) **United States Design Patent**
Buthier

(10) **Patent No.:** **US D491,798 S**
(45) **Date of Patent:** **** Jun. 22, 2004**

(54) **AEROSOL DISPENSER**

(75) Inventor: **Bruno Buthier**, Lucé (FR)

(73) Assignee: **Reckitt Benckiser (UK) Limited**,
Slough (GB)

(**) Term: **14 Years**

(21) Appl. No.: **29/148,175**

(22) Filed: **Sep. 17, 2001**

(51) **LOC (7) Cl.** **09-01**

(52) **U.S. Cl.** **D9/300**

(58) **Field of Search** D9/300, 435, 455,
D9/529; D23/366, 367, 368, 369; 239/53,
55, 60; 222/402.1, 645, 646, 647, 648

(56) **References Cited**

U.S. PATENT DOCUMENTS

D242,460 S	*	11/1976	Stoy	D23/369
D425,190 S	*	5/2000	Morikawa	D23/366
D468,627 S	*	1/2003	Dampney	D9/300
D471,087 S	*	3/2003	McCoy et al.	D9/300

* cited by examiner

Primary Examiner—Paula A. Mortimer

(74) *Attorney, Agent, or Firm*—Fish & Richardson P.C.

(57) **CLAIM**

The ornamental design for an aerosol dispenser, as shown and described.

DESCRIPTION

FIG. 1 is a top and right side perspective view of an aerosol dispenser showing my new design in its closed position:

FIG. 2 is a top and right side view of an aerosol dispenser showing my new design in an open position;

FIG. 3 is a left side view of an aerosol dispenser showing my new design in its closed position;

FIG. 4 is a top plain view thereof;

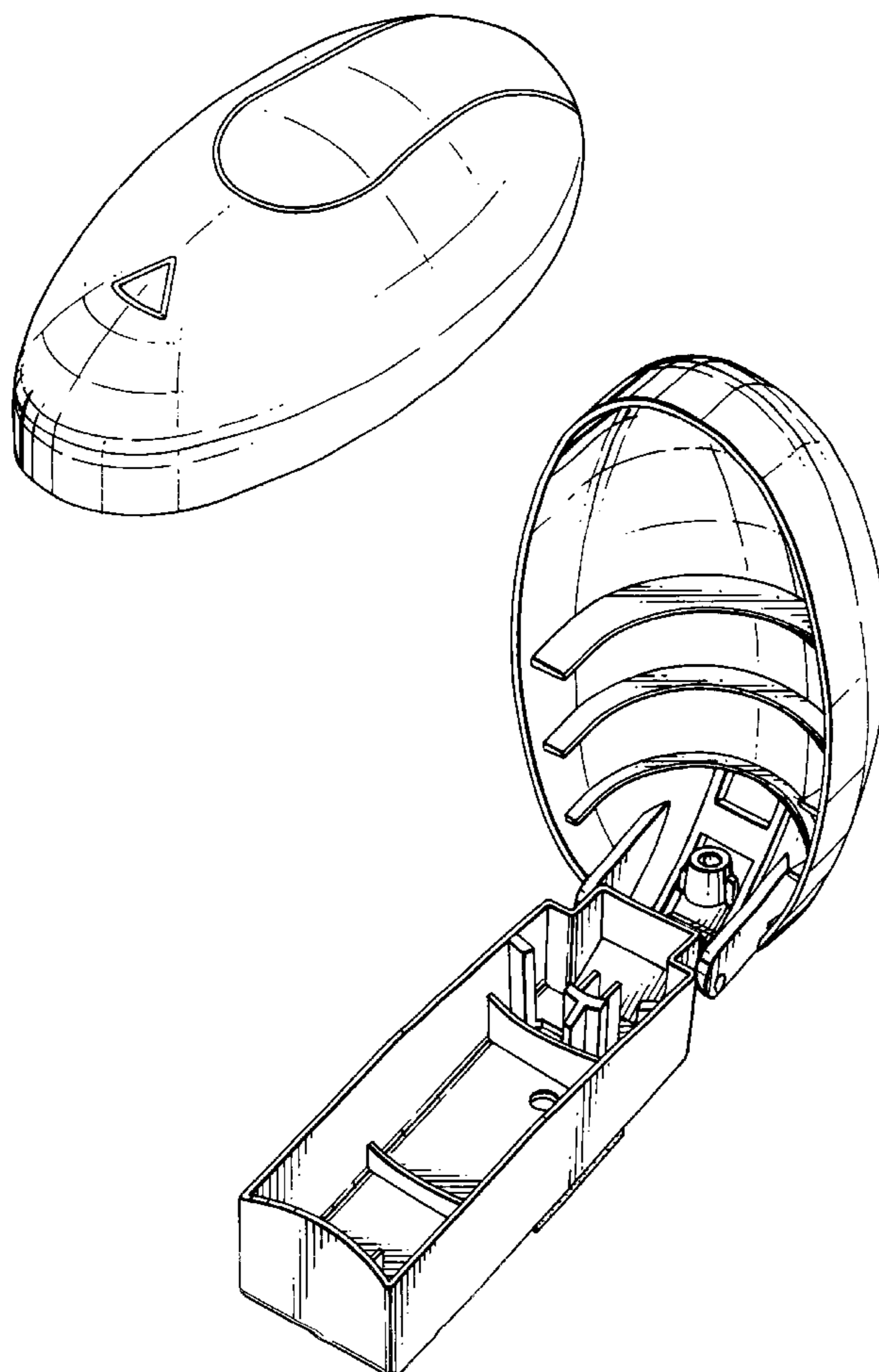
FIG. 5 is a bottom plain view thereof;

FIG. 6 is a right side view thereof;

FIG. 7 is a front side view thereof; and,

FIG. 8 is a rear view thereof.

1 Claim, 3 Drawing Sheets



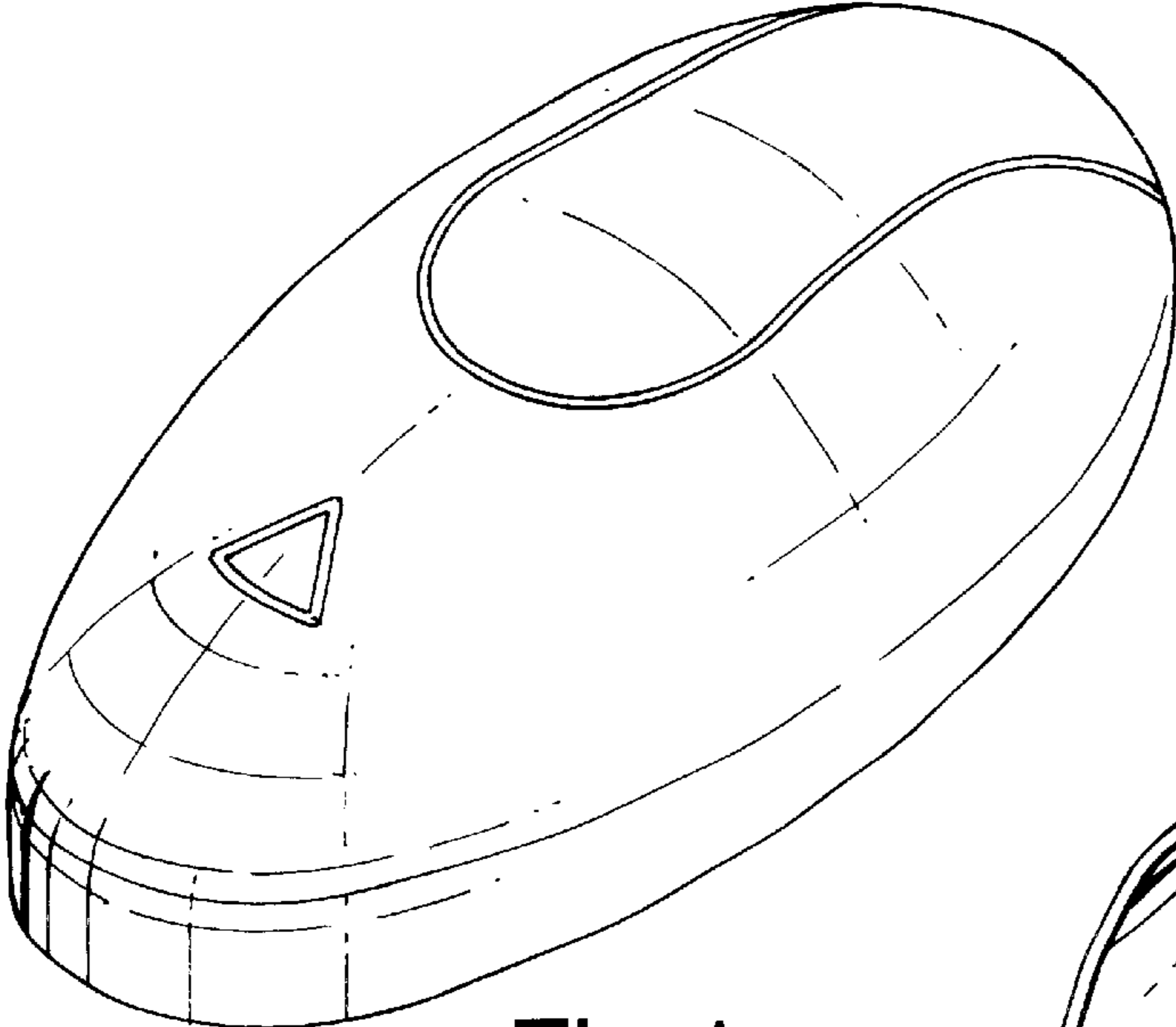


Fig. 1.

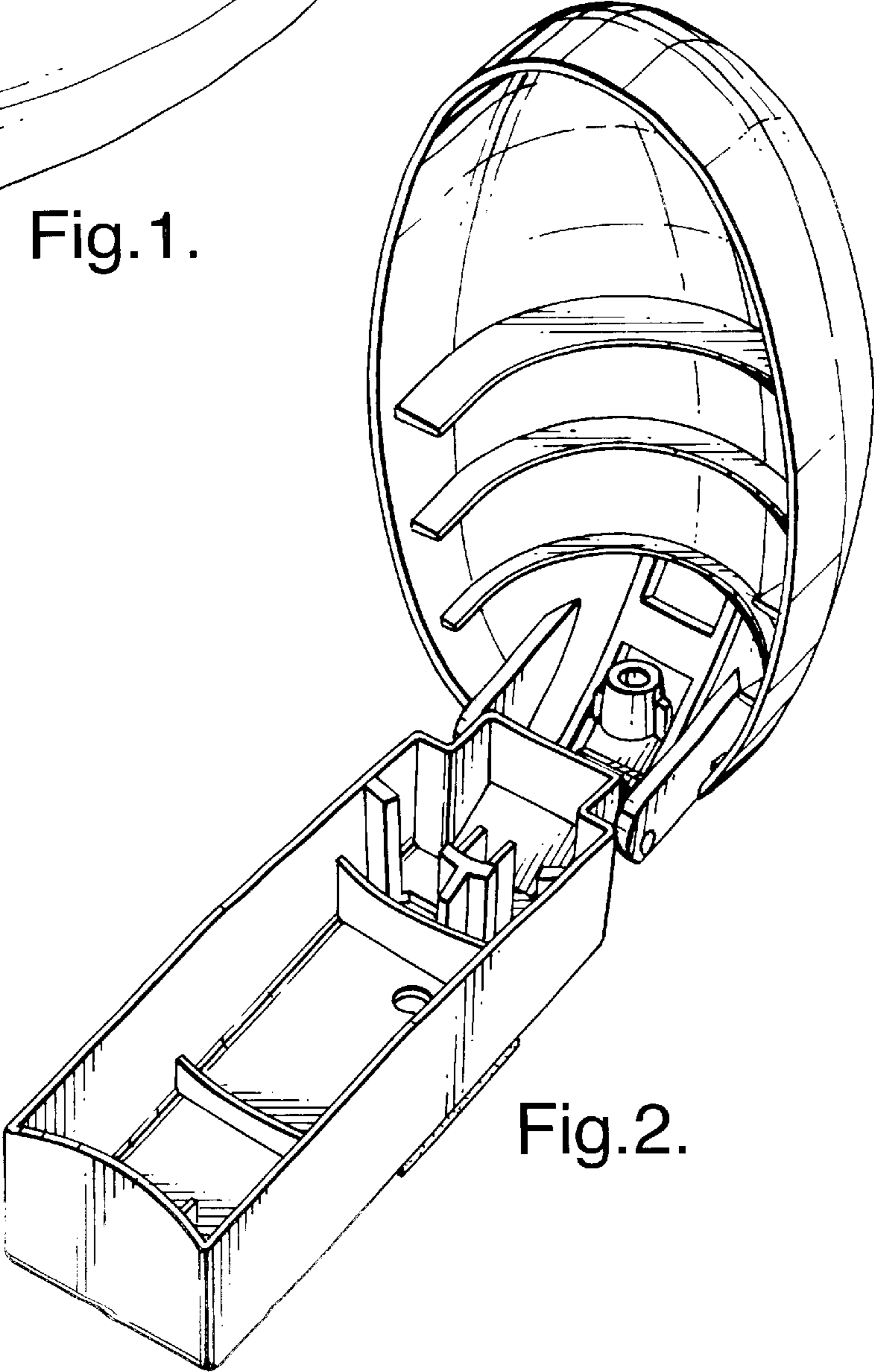


Fig. 2.

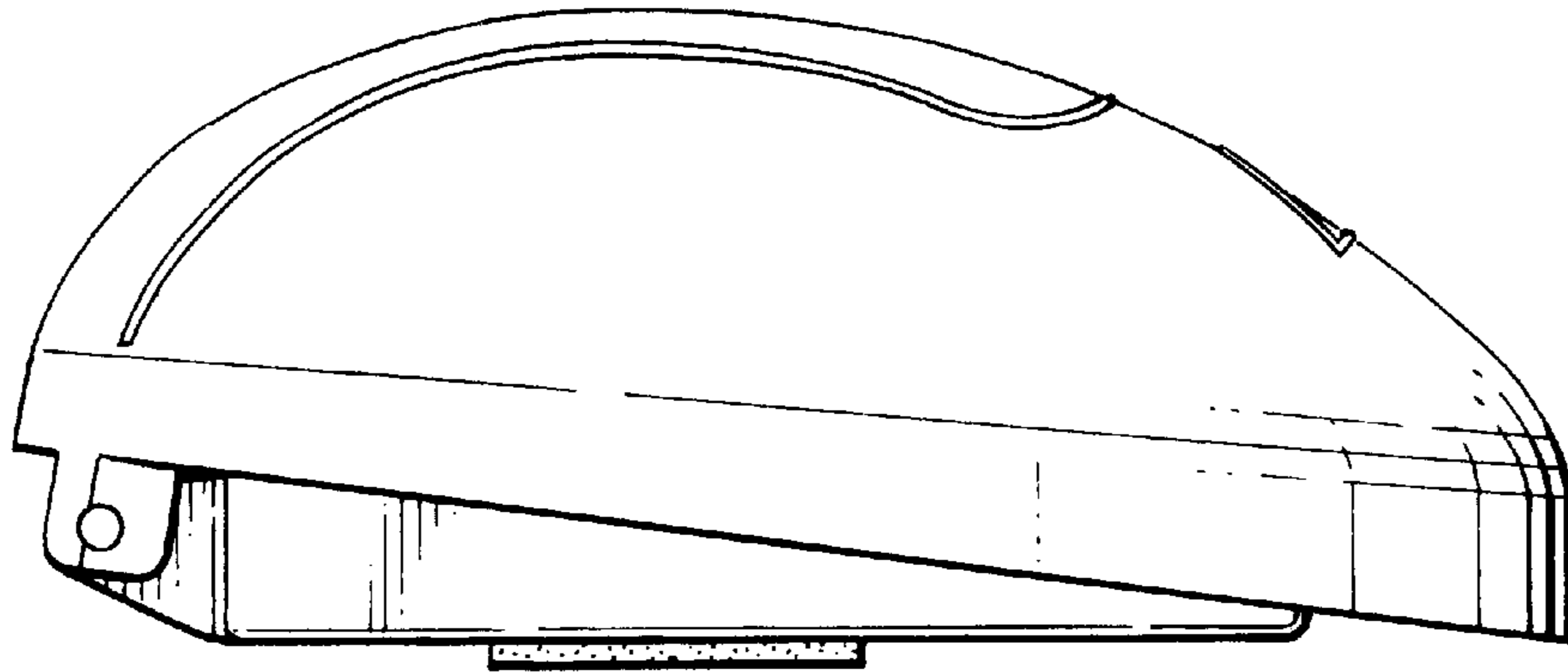


Fig.3.

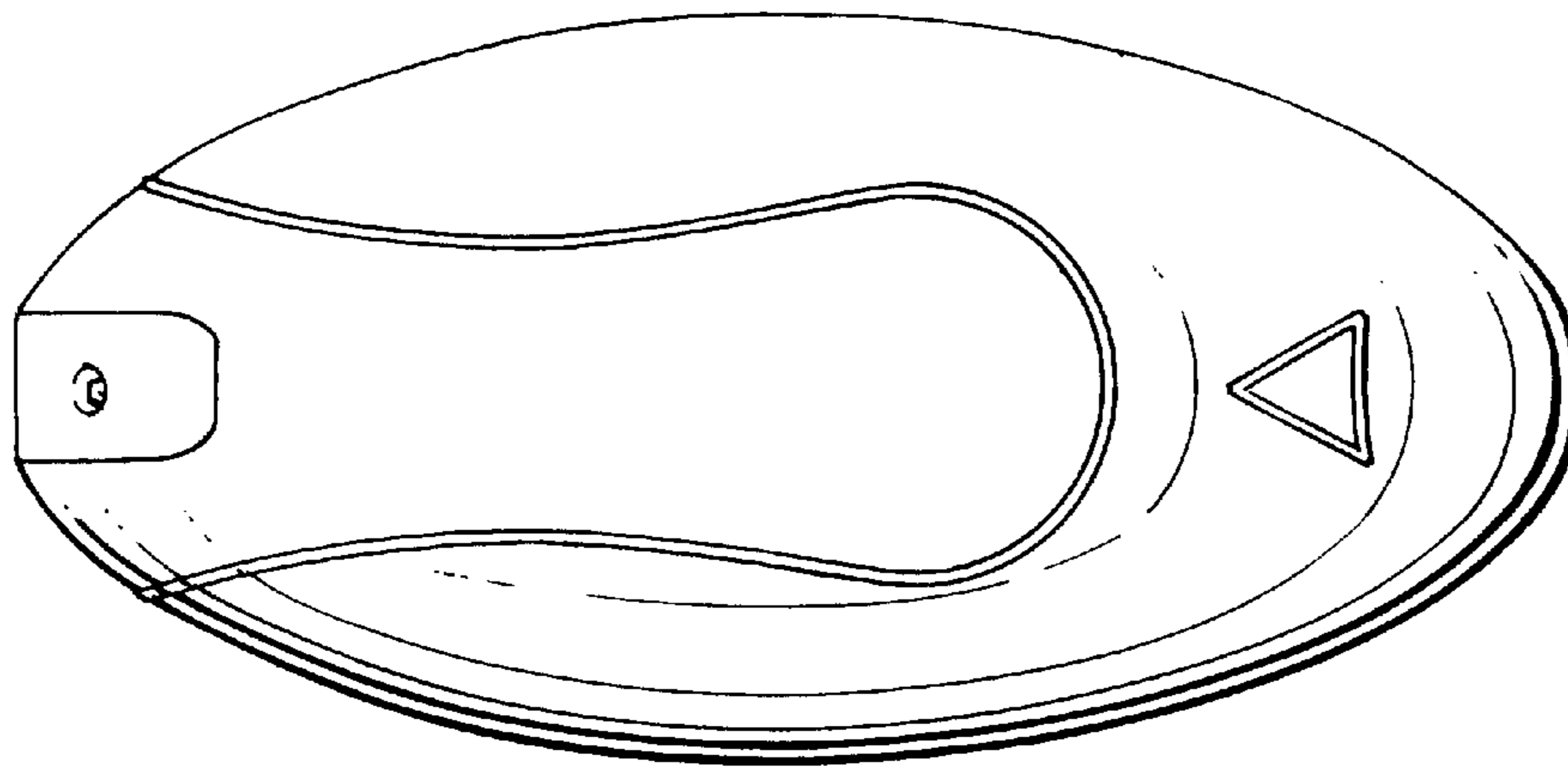


Fig.4.

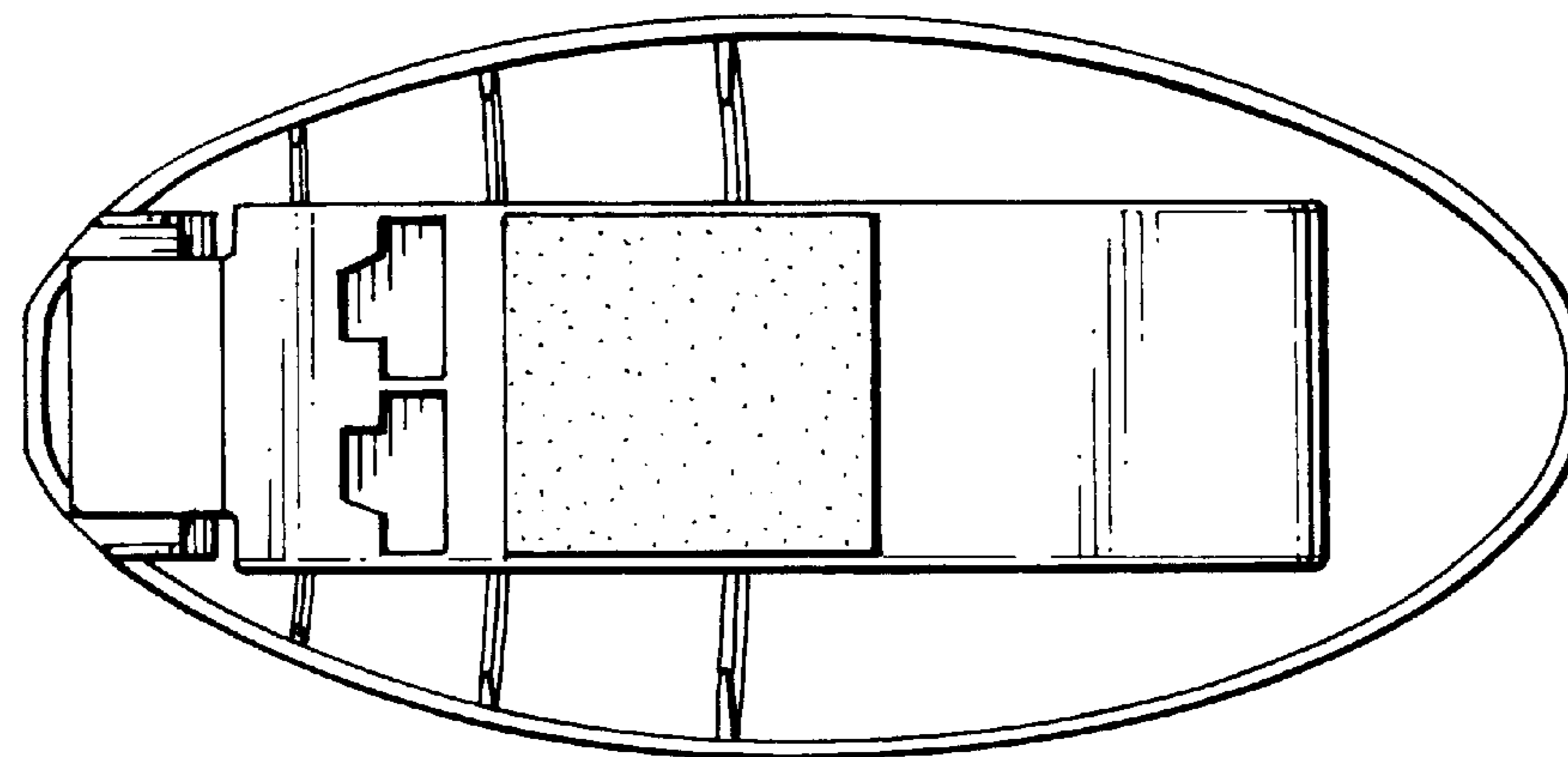


Fig.5.

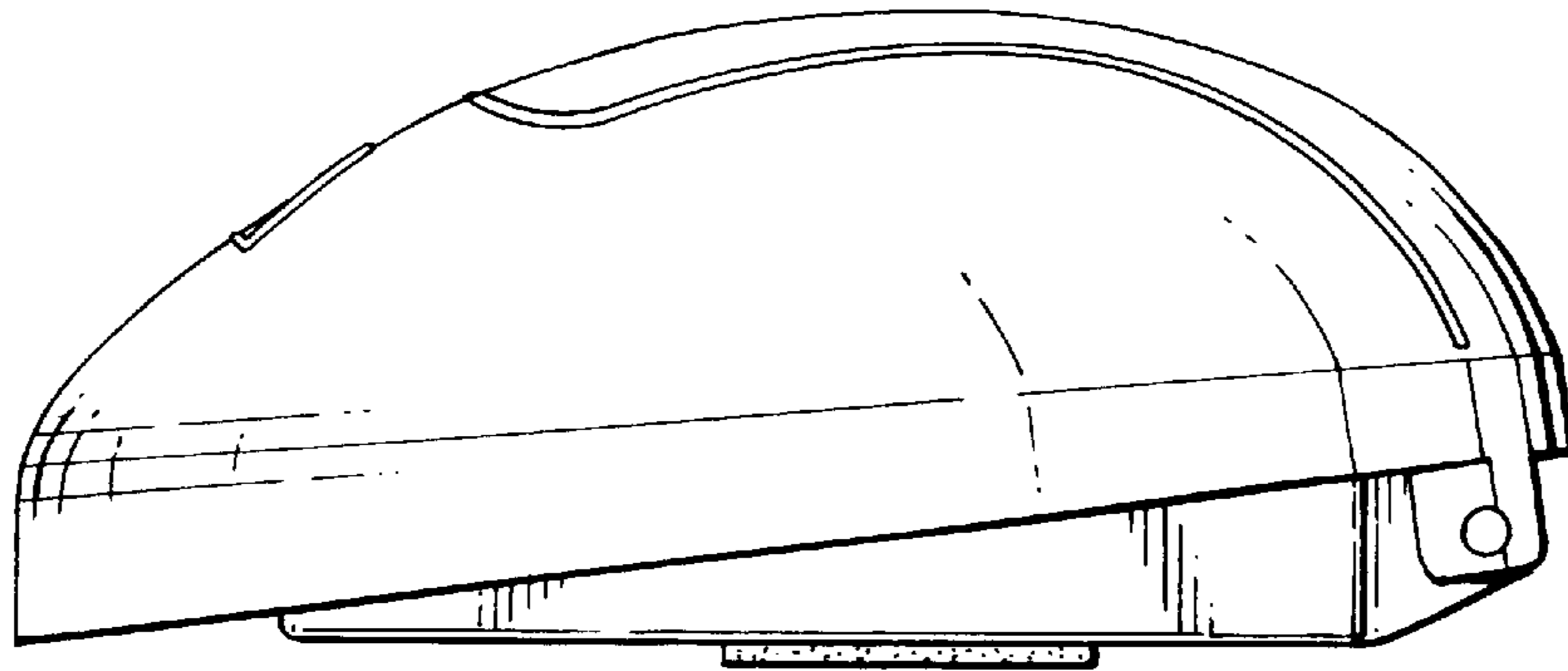


Fig.6.

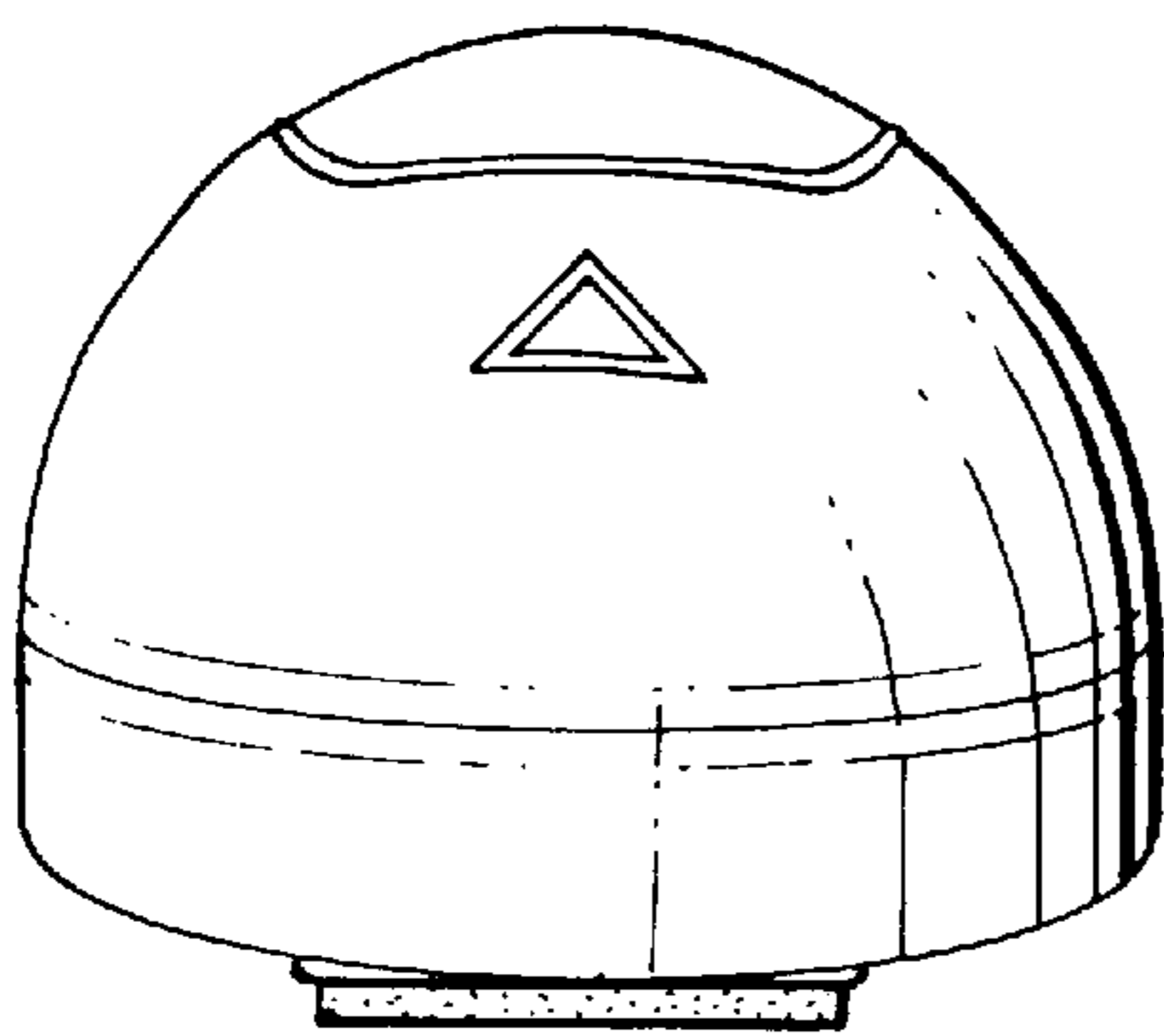


Fig.7.

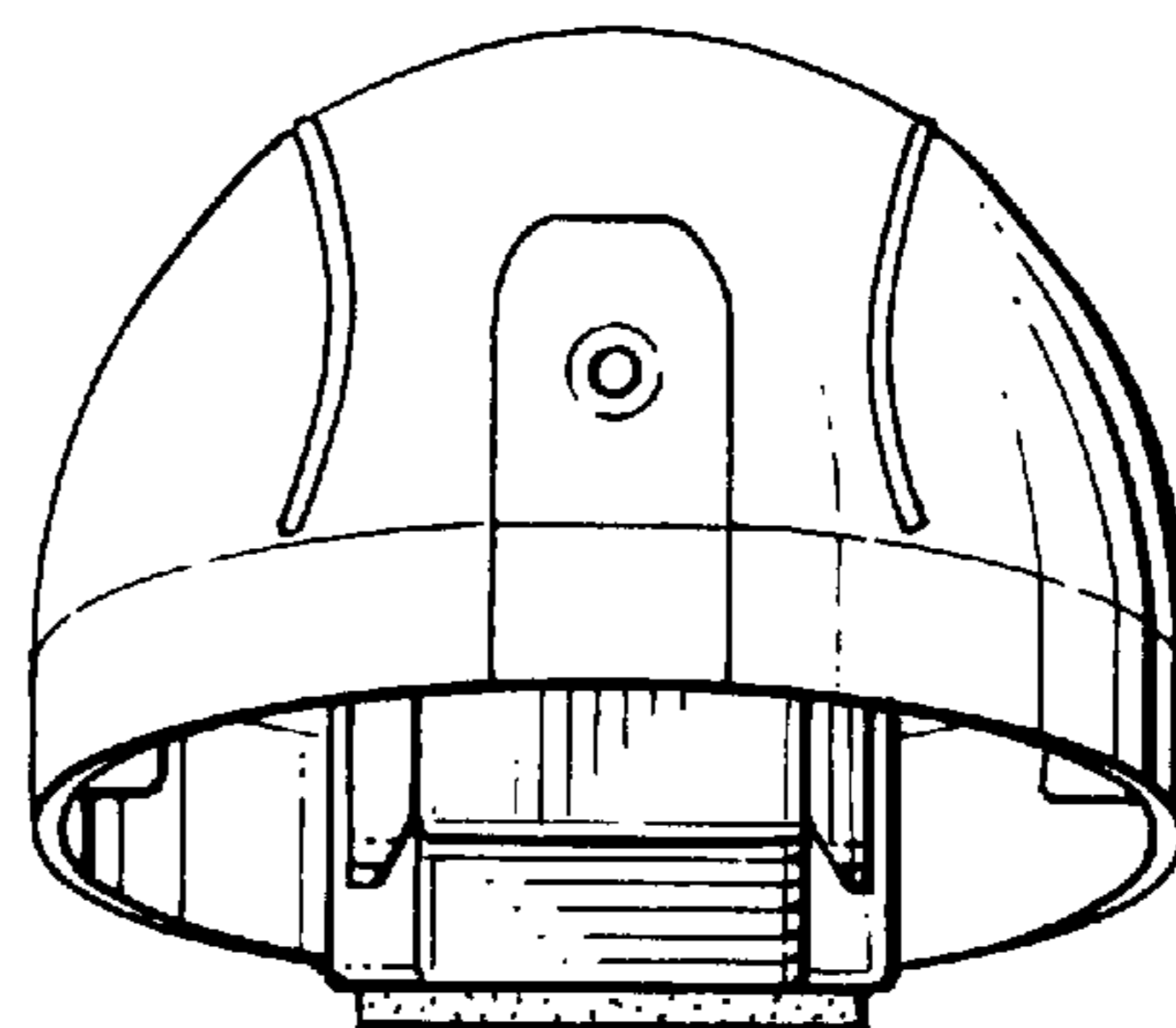


Fig.8.