

US00D491789S1

(12) **United States Design Patent**
Dembicks

(10) **Patent No.:** **US D491,789 S**
(45) **Date of Patent:** **** Jun. 22, 2004**

(54) **GUIDE FOR A TOOL**

(75) **Inventor:** **Tyler J. Dembicks**, Raleigh, NC (US)

(73) **Assignee:** **Andrews Toolworks, Inc.**, Raleigh, NC (US)

(**) **Term:** **14 Years**

(21) **Appl. No.:** **29/174,983**

(22) **Filed:** **Jan. 28, 2003**

4,787,614 A	11/1988	Givens	
5,016,693 A	5/1991	Haffely et al.	
5,042,542 A	8/1991	Purviance	
D334,700 S	* 4/1993	Eller	D8/71
5,301,726 A	* 4/1994	Wojcik	83/452
5,452,752 A	9/1995	Aigner	
5,908,061 A	6/1999	Blichmann	
6,134,800 A	10/2000	Newman	
6,202,528 B1	* 3/2001	Morgan	83/824
6,293,177 B1	9/2001	MacKenzie	
6,360,798 B1	* 3/2002	Apolinski	144/135.2
D478,491 S	* 8/2003	Borjesson	D8/72

* cited by examiner

Related U.S. Application Data

(63) Continuation of application No. 10/056,834, filed on Jan. 25, 2002, now Pat. No. 6,520,225.

(51) **LOC (7) Cl.** **08-05**

(52) **U.S. Cl.** **D8/355**

(58) **Field of Search** D8/71, 72, 349, D8/354, 355, 356, 373, 380, 394; 83/452, 467.1, 468.7, 477, 477.2, 468.2, 821, 824; 144/135.2, 253.1, 253.2, 253.5; 269/303, 304, 315, 318

Primary Examiner—James Gandy

Assistant Examiner—Elizabeth Albert

(74) *Attorney, Agent, or Firm*—Akerman Senterfitt

(57) **CLAIM**

An ornamental design for a guide for a tool, as shown and described.

DESCRIPTION

FIG. 1 is a perspective view of the guide for a tool according to the subject invention.

FIG. 2 is a top view of the guide for a tool in FIG. 1.

FIG. 3 is a side view of the guide for a tool in FIG. 1.

FIG. 4 is a side view opposite to that of the side view in FIG. 3.

FIG. 5 is an end view of the guide for a tool in FIG. 1; and, FIG. 6 is an end view opposite to that of the end view in FIG. 5.

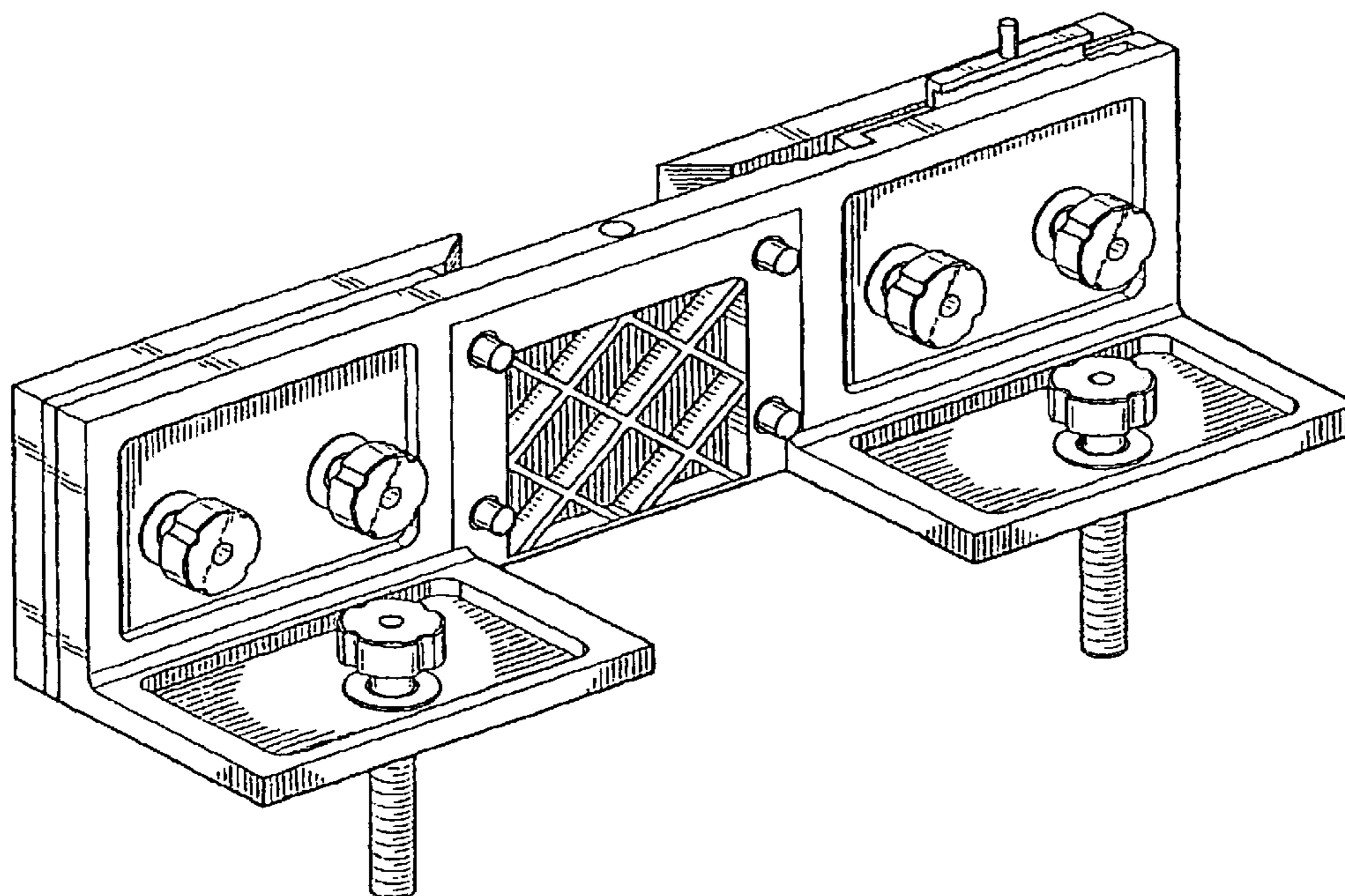
The bottom (excluding the bolts) is flat and unornamented, and a bottom view is omitted.

(56) **References Cited**

U.S. PATENT DOCUMENTS

727,337 A	5/1903	Forster	
1,664,969 A	4/1928	Conover	
1,947,885 A	2/1934	Tautz	
2,104,158 A	1/1938	Hedgpeth	
3,884,094 A	5/1975	Ulmer	
4,114,665 A	9/1978	Decker	
4,499,933 A	* 2/1985	Thompson	144/135.2
4,719,951 A	1/1988	Woltanski	
D294,676 S	* 3/1988	Egner et al.	D8/382

1 Claim, 2 Drawing Sheets



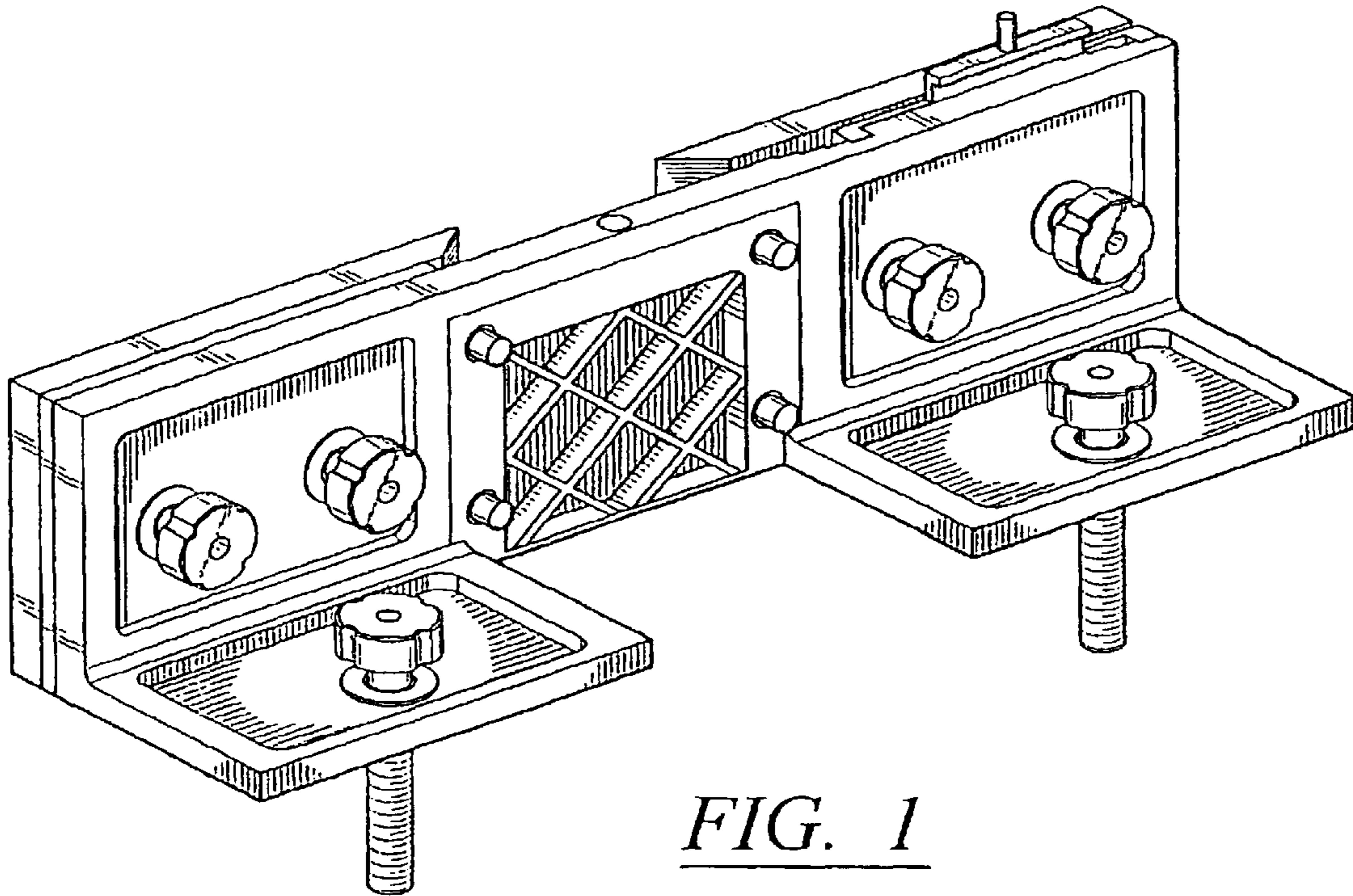


FIG. 1

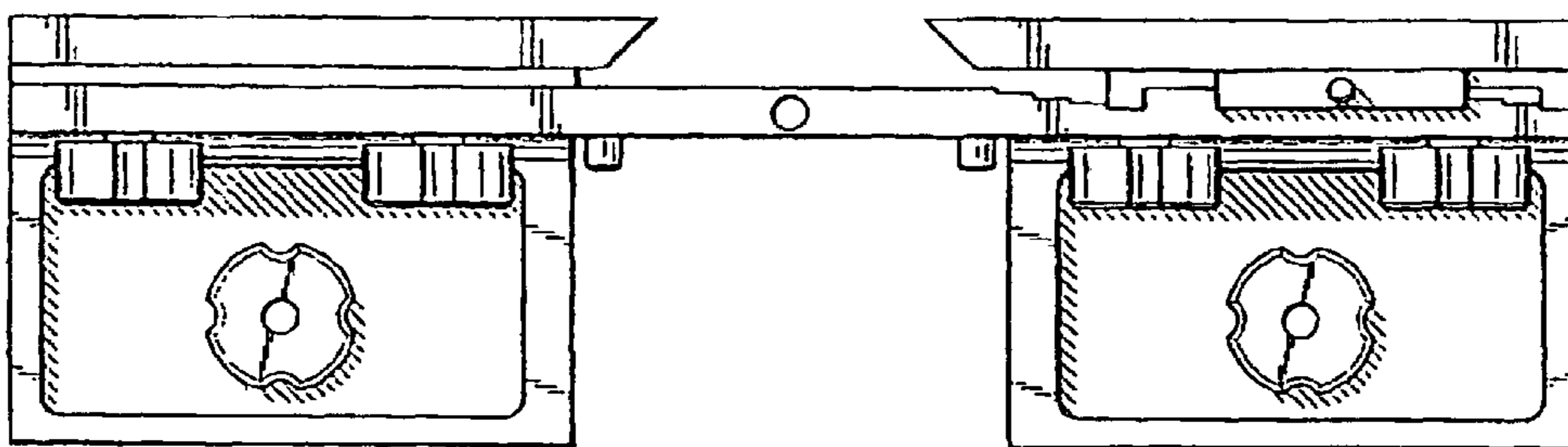


FIG. 2

