

US00D491788S1

(12) **United States Design Patent**  
**Kim**

(10) **Patent No.:** **US D491,788 S**  
(45) **Date of Patent:** **\*\* Jun. 22, 2004**

(54) **KEY**

D391,470 S \* 3/1998 Johnson et al. .... D8/347

(76) **Inventor:** **Jung Kyu Kim**, 1223-6,  
Sankyeok-4Dong, Buk-Gu, Taegu  
702-014 (KR)

**OTHER PUBLICATIONS**

Home Security, 1979 Catalog, p. 26.\*

(\*\*) **Term:** **14 Years**

\* cited by examiner

(21) **Appl. No.:** **29/187,019**

*Primary Examiner*—Prabhakar Deshmukh  
(74) *Attorney, Agent, or Firm*—Park & Sutton LLP; John  
K. Park

(22) **Filed:** **Jul. 25, 2003**

(57) **CLAIM**

(51) **LOC (7) Cl.** ..... **08-07**

The ornamental design for a key, as shown and described.

(52) **U.S. Cl.** ..... **D8/347**

**DESCRIPTION**

(58) **Field of Search** ..... D8/347, 343, 348;  
70/336, 343, 348–346, 387, 393, 405, 407

FIG. 1 is a perspective view of a key showing my new  
design;

(56) **References Cited**

**U.S. PATENT DOCUMENTS**

3,349,589	A	*	10/1967	Fricke	.....	70/395
D259,994	S	*	7/1981	Salcedo	.....	D8/348
D265,049	S	*	6/1982	Flies	.....	D8/347
4,376,381	A	*	3/1983	Muus	.....	70/337
D307,863	S	*	5/1990	Boag	.....	D8/347
5,016,455	A	*	5/1991	Hennessy	.....	70/493
D332,388	S	*	1/1993	Marotto	.....	D8/347

FIG. 2 is another perspective view of the key;  
FIG. 3 is a front elevational view thereof;  
FIG. 4 is a top plan view thereof;  
FIG. 5 is a left side view thereof;  
FIG. 6 is a rear elevational view thereof;  
FIG. 7 is a right side view thereof; and,  
FIG. 8 is a bottom view thereof.

**1 Claim, 2 Drawing Sheets**

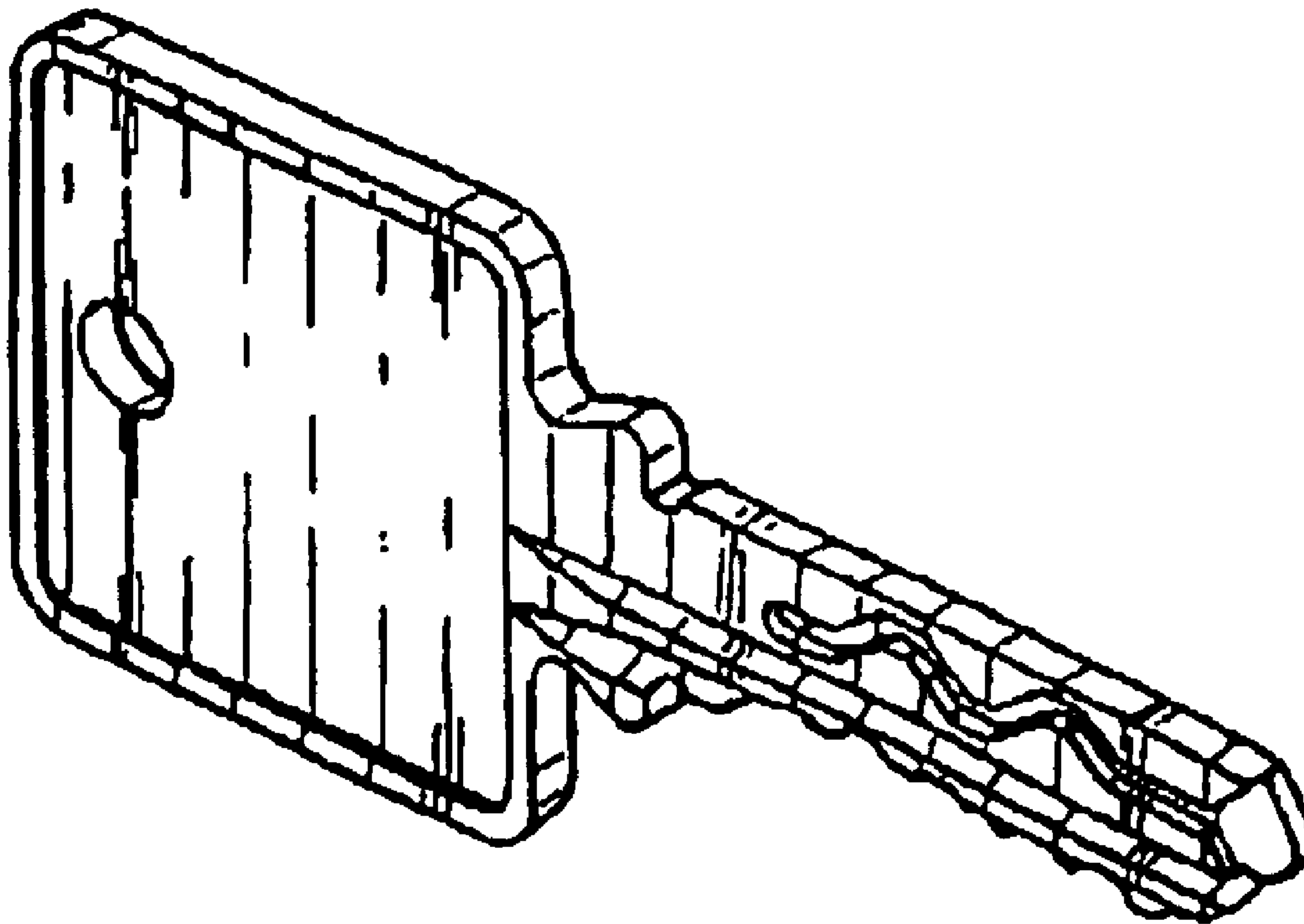


Fig. 1

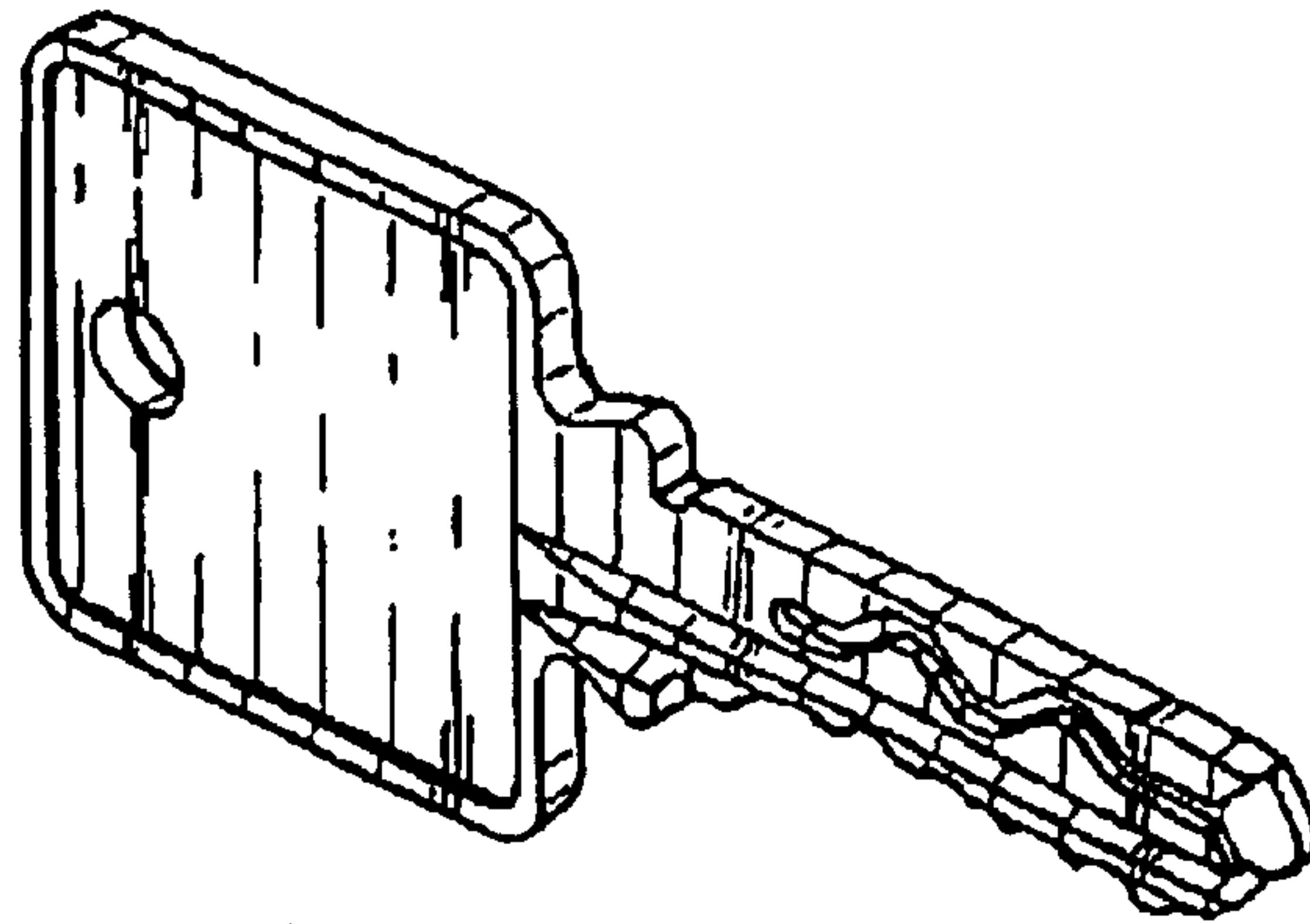


Fig. 2

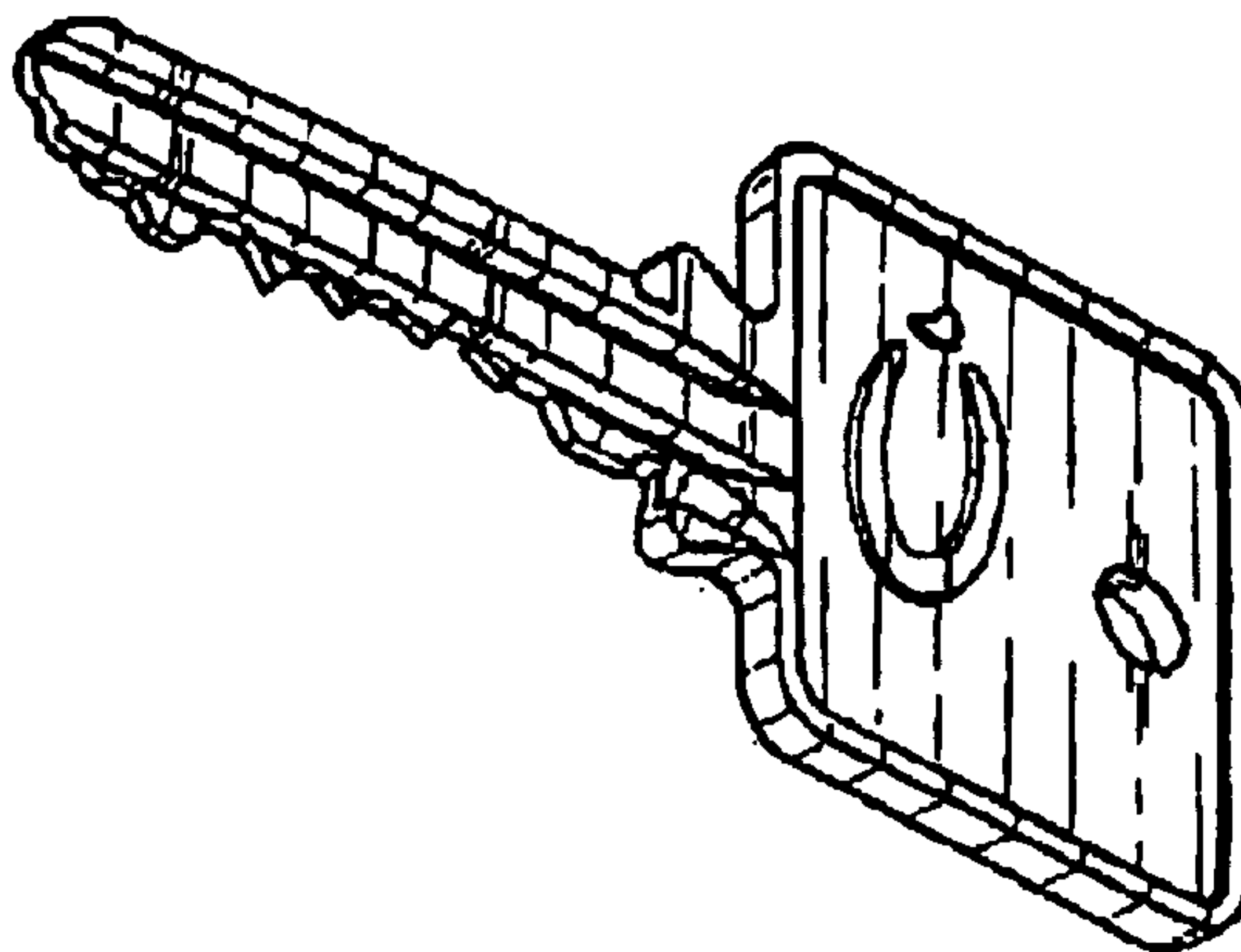


Fig. 3

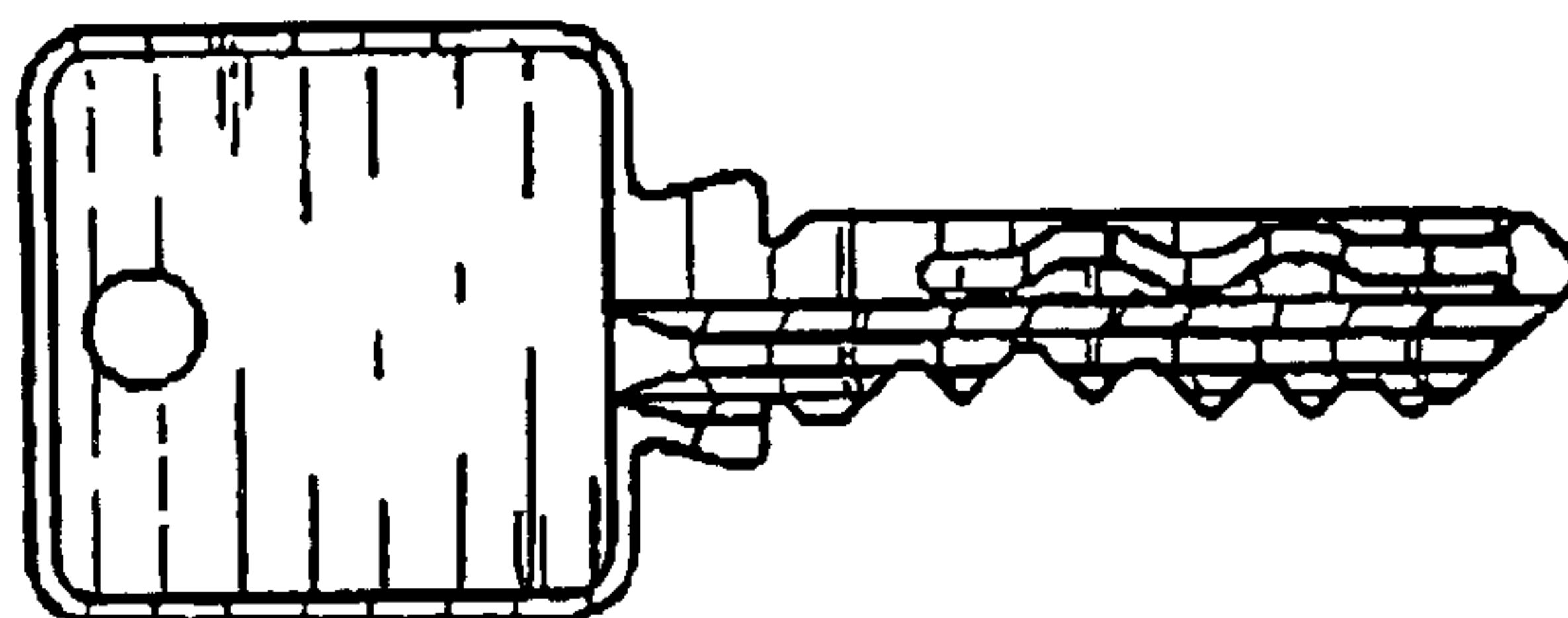


Fig. 4



Fig. 5



Fig. 6

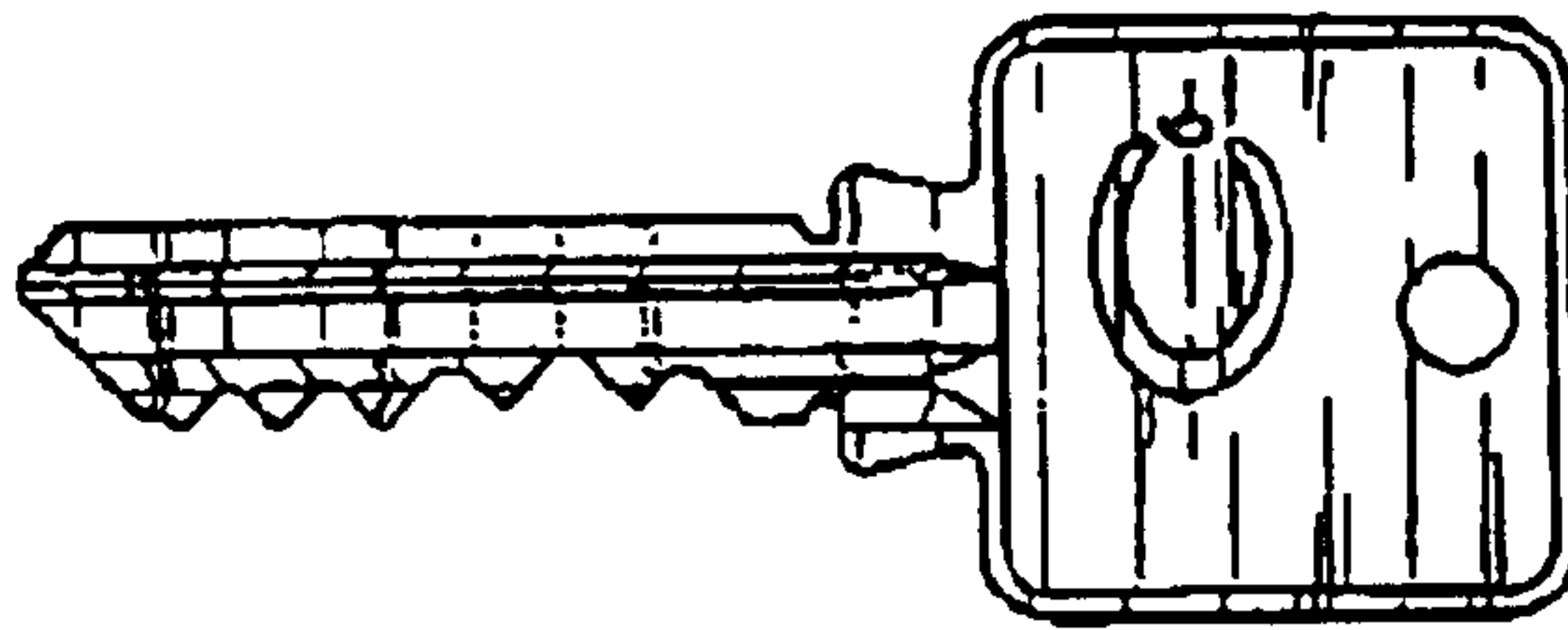


Fig. 7



Fig. 8

