

US00D491787S1

(12) **United States Design Patent**
Homberg

(10) **Patent No.:** **US D491,787 S**
(45) **Date of Patent:** **** Jun. 22, 2004**

(54) **DOOR CLOSER**

(75) Inventor: **Jürgen Homberg**, Hagen (DE)

(73) Assignee: **Dorma GmbH & Co. KG**, Ennepetal (DE)

(**) Term: **14 Years**

(21) Appl. No.: **29/185,743**

(22) Filed: **Jul. 2, 2003**

Related U.S. Application Data

(62) Division of application No. 29/144,837, filed on Jul. 11, 2001, now Pat. No. Des. 479,459.

(30) **Foreign Application Priority Data**

Jan. 11, 2001 (DE) 401 00 426

(51) **LOC (7) Cl.** **08-01**

(52) **U.S. Cl.** **D8/330**

(58) **Field of Search** D8/330; 16/49-51,
16/59, 62, 71

(56) **References Cited**

U.S. PATENT DOCUMENTS

4,086,681 A * 5/1978 Nakanishi 16/49

4,231,134 A * 11/1980 Schoker 16/49
D271,277 S * 11/1983 Okazaki D8/330
D273,457 S * 4/1984 Matsuo et al. D8/330
D281,762 S * 12/1985 Okazaki D8/330
D355,580 S * 2/1995 Salena et al. D8/330
D429,992 S * 8/2000 Ginzel et al. D8/330
6,421,876 B1 * 7/2002 Ginzel et al. 16/79

* cited by examiner

Primary Examiner—Prabhakar Deshmukh
(74) *Attorney, Agent, or Firm*—Nils H. Ljungman & Associates

(57) **CLAIM**

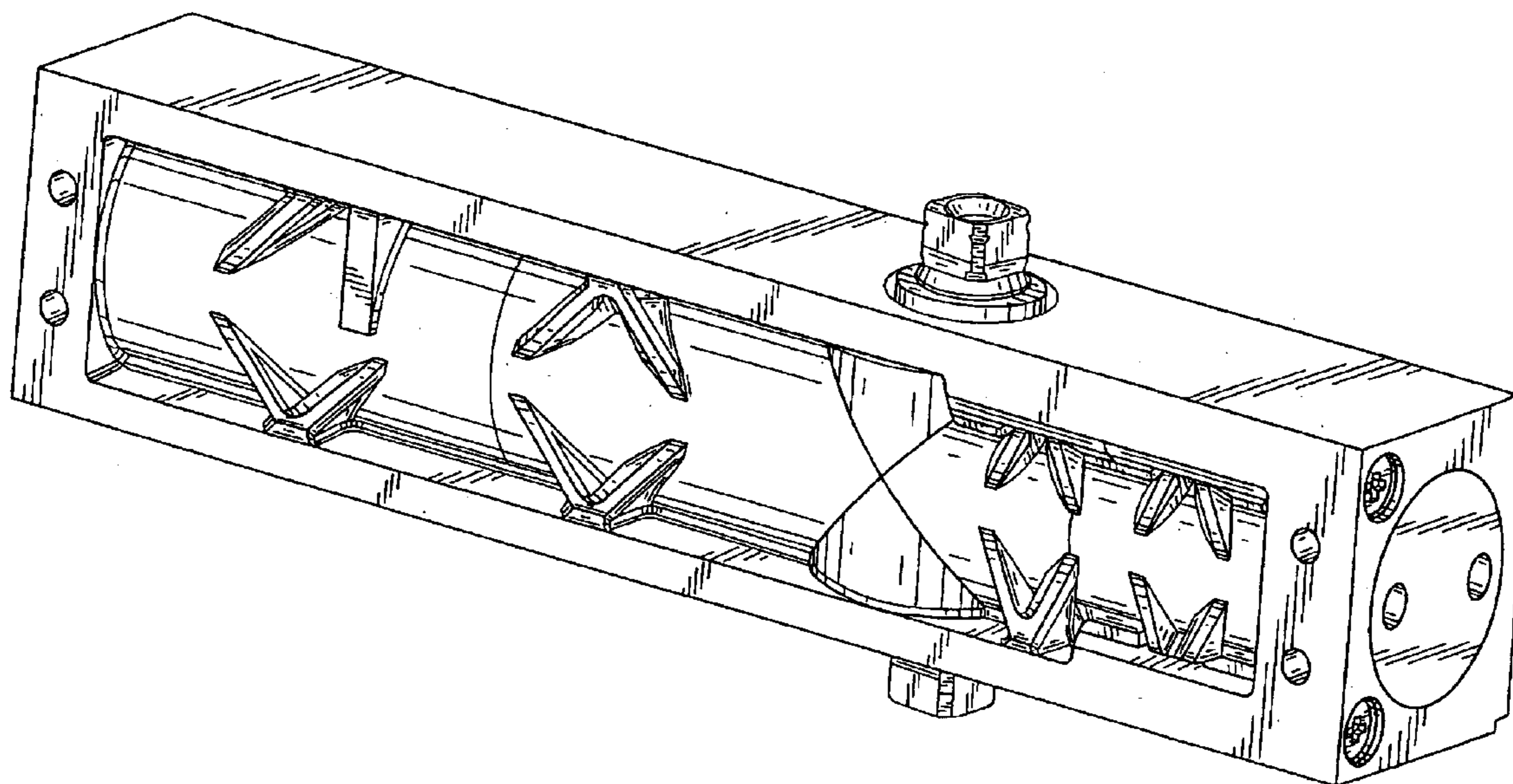
The ornamental design for a door closer, as shown and described.

DESCRIPTION

FIG. 1 is a top, front, and right side perspective of an embodiment of a door closer; and,

FIG. 2 is a top, rear, and right side perspective view thereof.

1 Claim, 2 Drawing Sheets



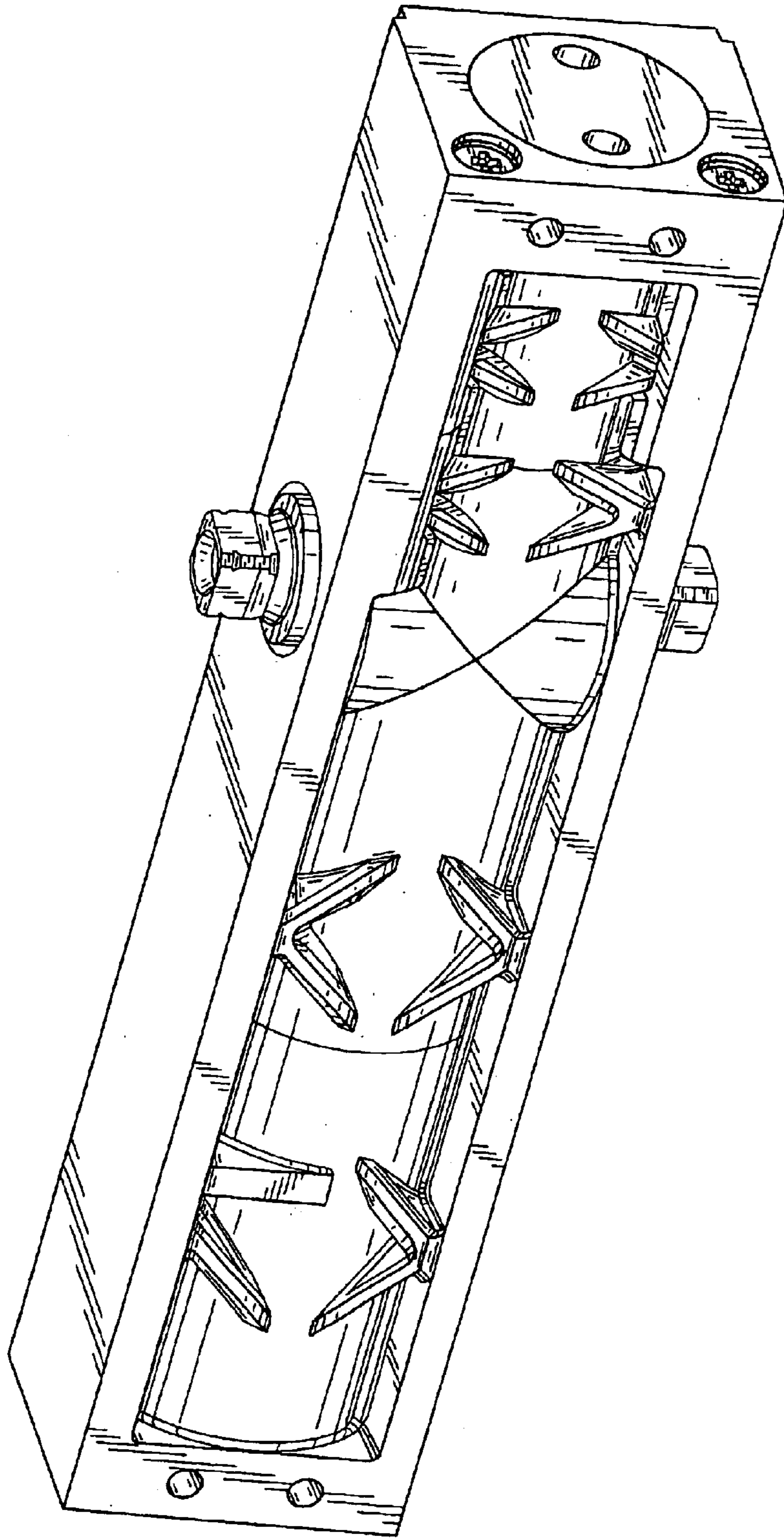


FIG. 1

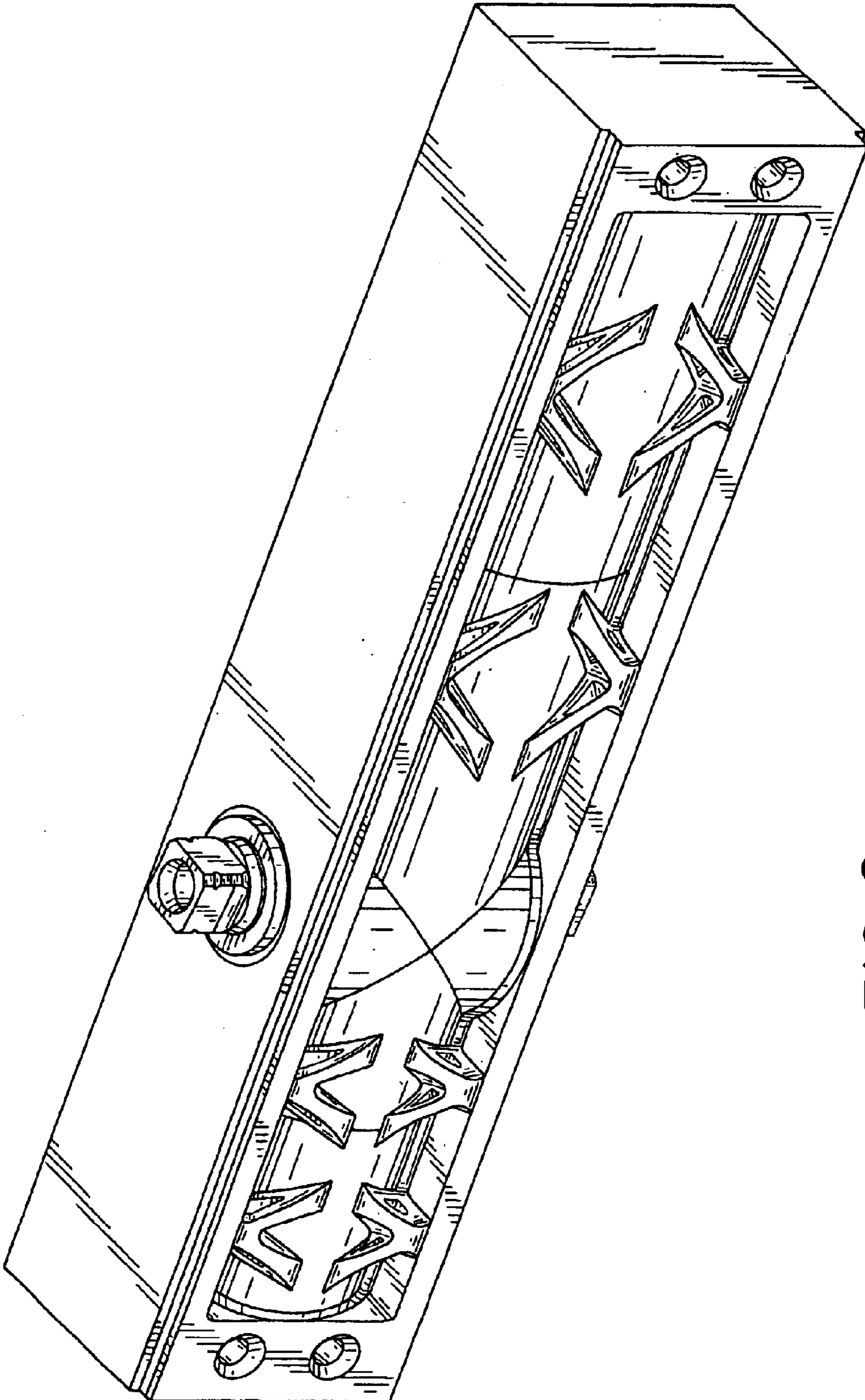


FIG. 2