

US00D491784S1

(12) **United States Design Patent**
Chiang

(10) **Patent No.:** **US D491,784 S**

(45) **Date of Patent:** **** Jun. 22, 2004**

(54) **CUTTING KIT**

(76) **Inventor:** **Vance Chiang**, P.O. Box 63-150, Tai
Chung City (TW), 406

(**) **Term:** **14 Years**

(21) **Appl. No.:** **29/177,820**

(22) **Filed:** **Mar. 18, 2003**

(51) **LOC (7) Cl.** **08-03**

(52) **U.S. Cl.** **D8/70**

(58) **Field of Search** D8/70, 71; D10/61,
D10/64, 65; D15/132, 138, 140; 408/56,
72 B, 72 R, 97, 111, 112, 115 R, 115 B,
241 G, 712

(56) **References Cited**

U.S. PATENT DOCUMENTS

- 2,418,790 A * 4/1947 Peckham, Jr. 408/112
- 2,510,203 A * 6/1950 Andreasson 408/72 R
- 3,762,452 A * 10/1973 Bernald 144/154.5

- D319,565 S * 9/1991 Krogsgaard D8/70
- D322,017 S * 12/1991 Van Allman et al. D8/70
- D342,004 S * 12/1993 Wettstein D8/70

* cited by examiner

Primary Examiner—James Gandy
Assistant Examiner—T. Chase Nelson

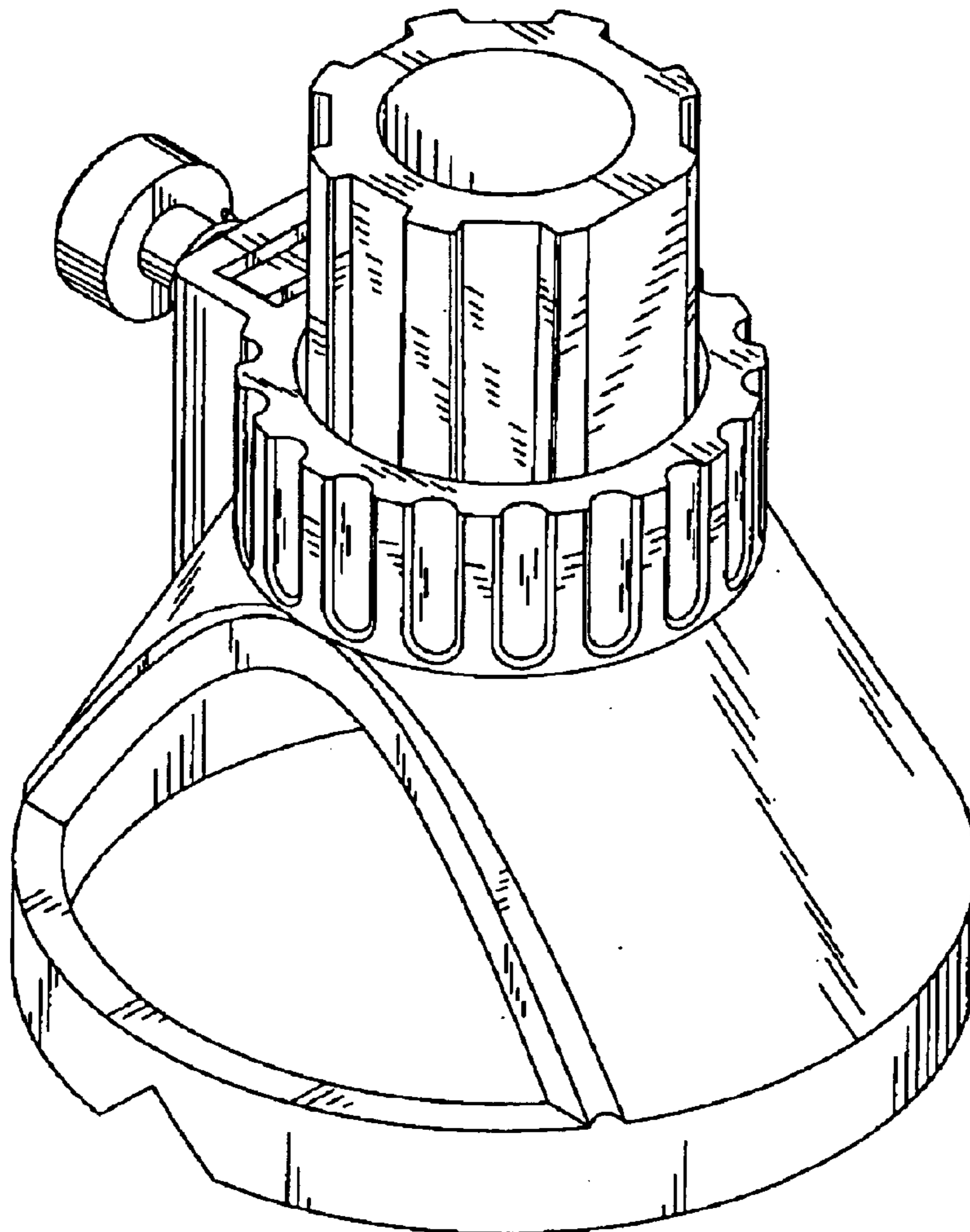
(57) **CLAIM**

The ornamental design for a cutting kit, as shown.

DESCRIPTION

FIG. 1 is a front perspective view of a cutting kit showing my new design;
FIG. 2 is a front elevational view;
FIG. 3 is a rear elevational view;
FIG. 4 is a left side elevational view;
FIG. 5 is a right side elevational view;
FIG. 6 is a top plan view; and,
FIG. 7 is a bottom plan view thereof.

1 Claim, 7 Drawing Sheets



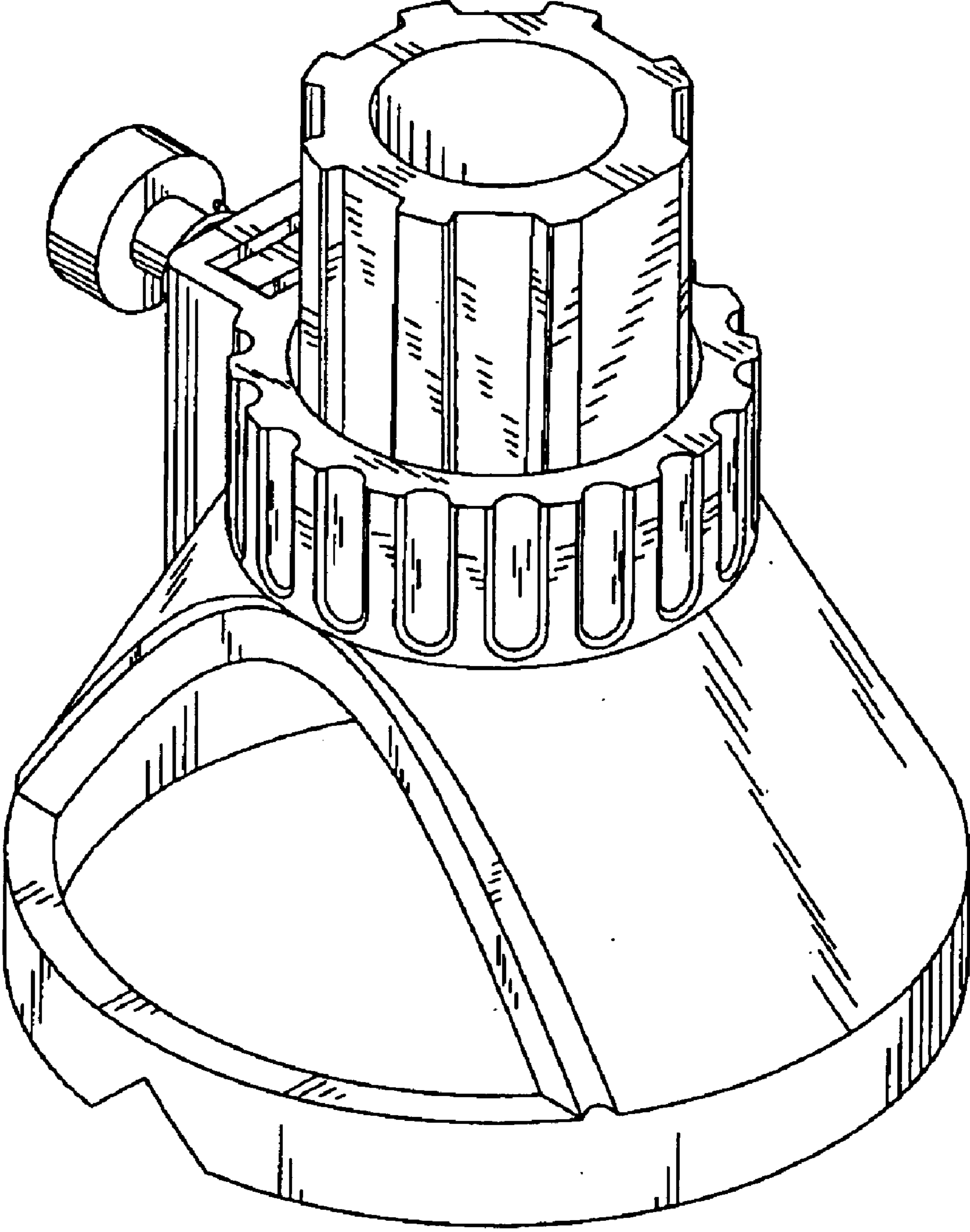


FIG. 1

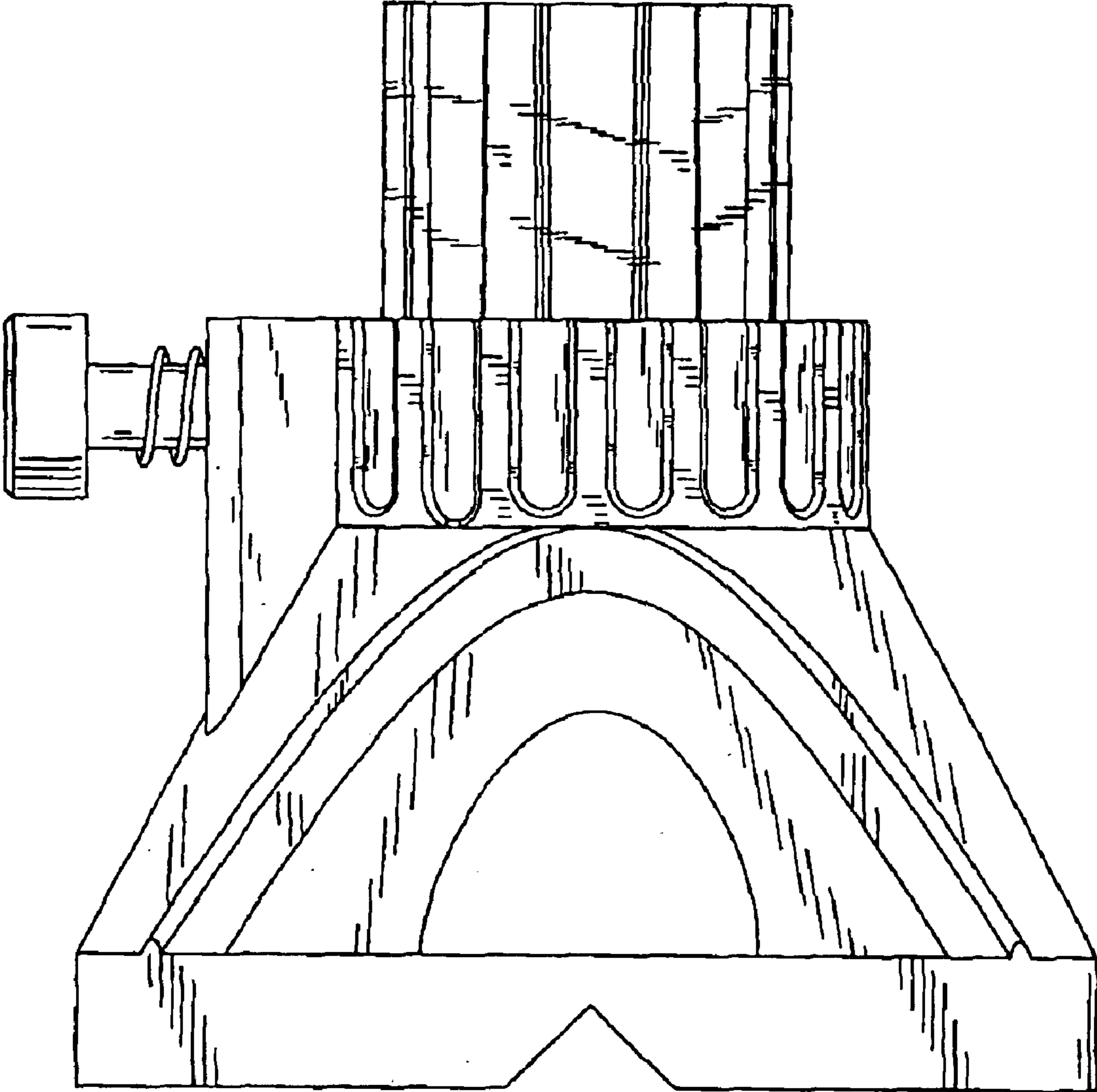


FIG. 2

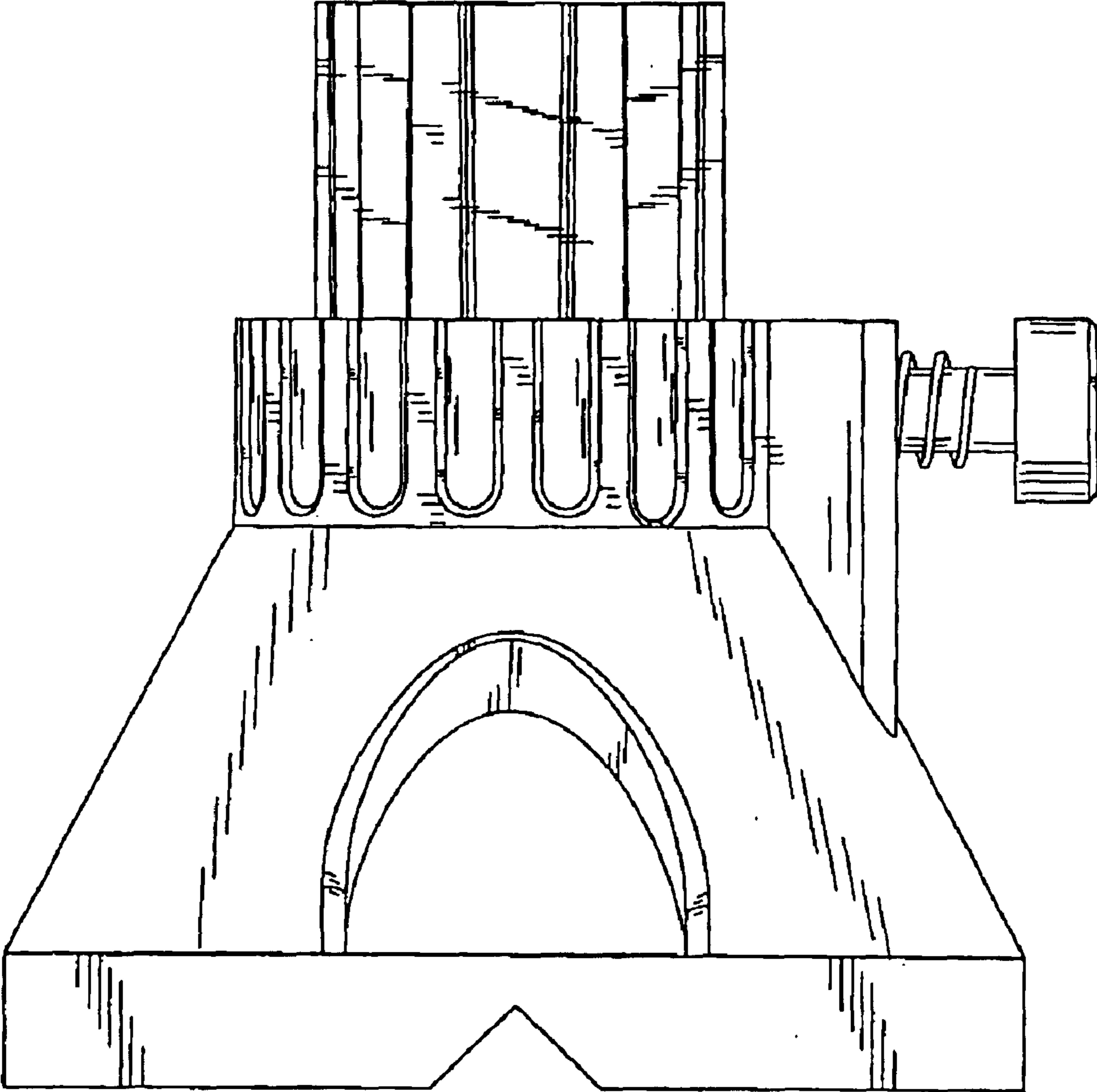


FIG. 3

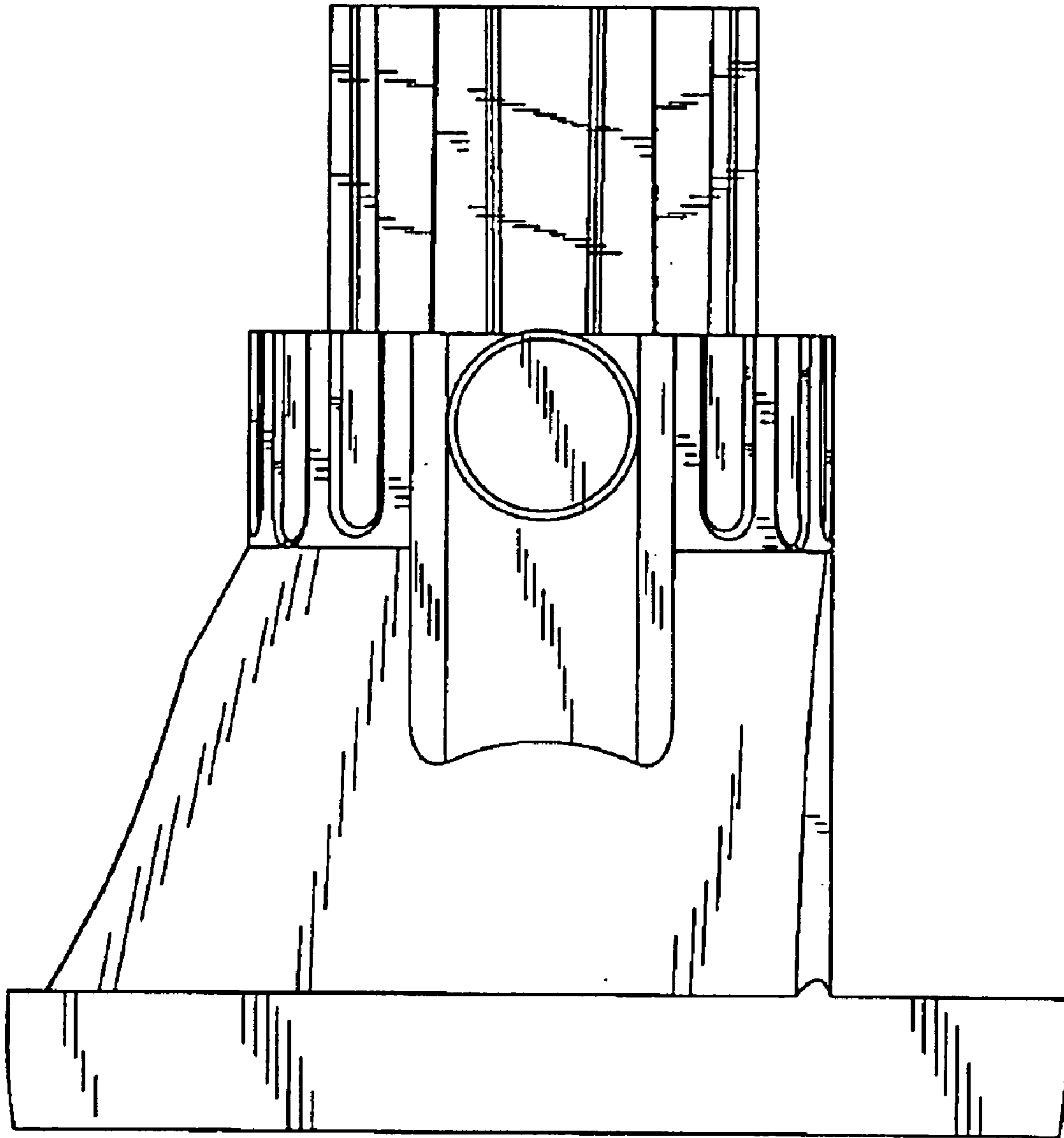


FIG. 4

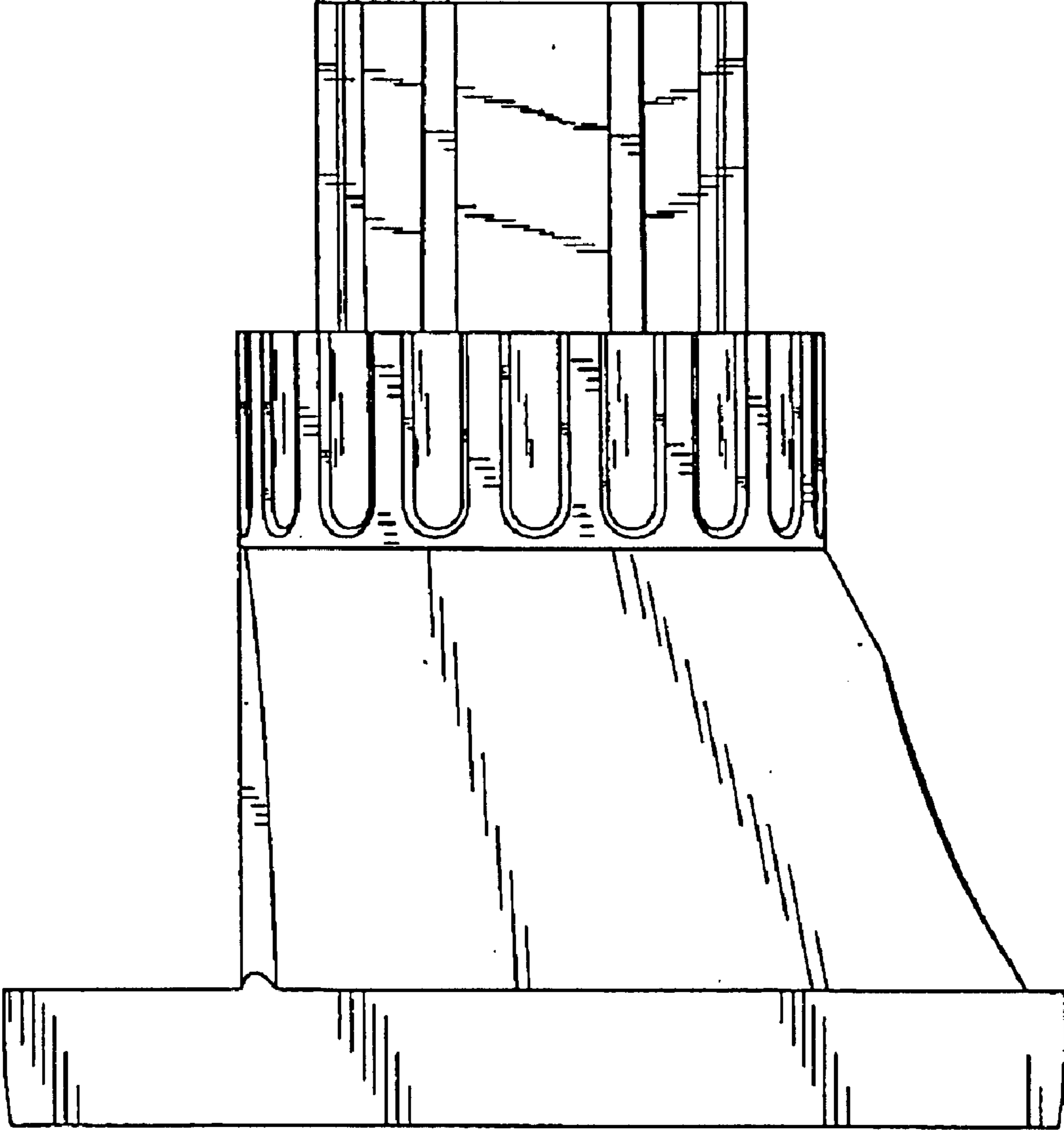


FIG. 5

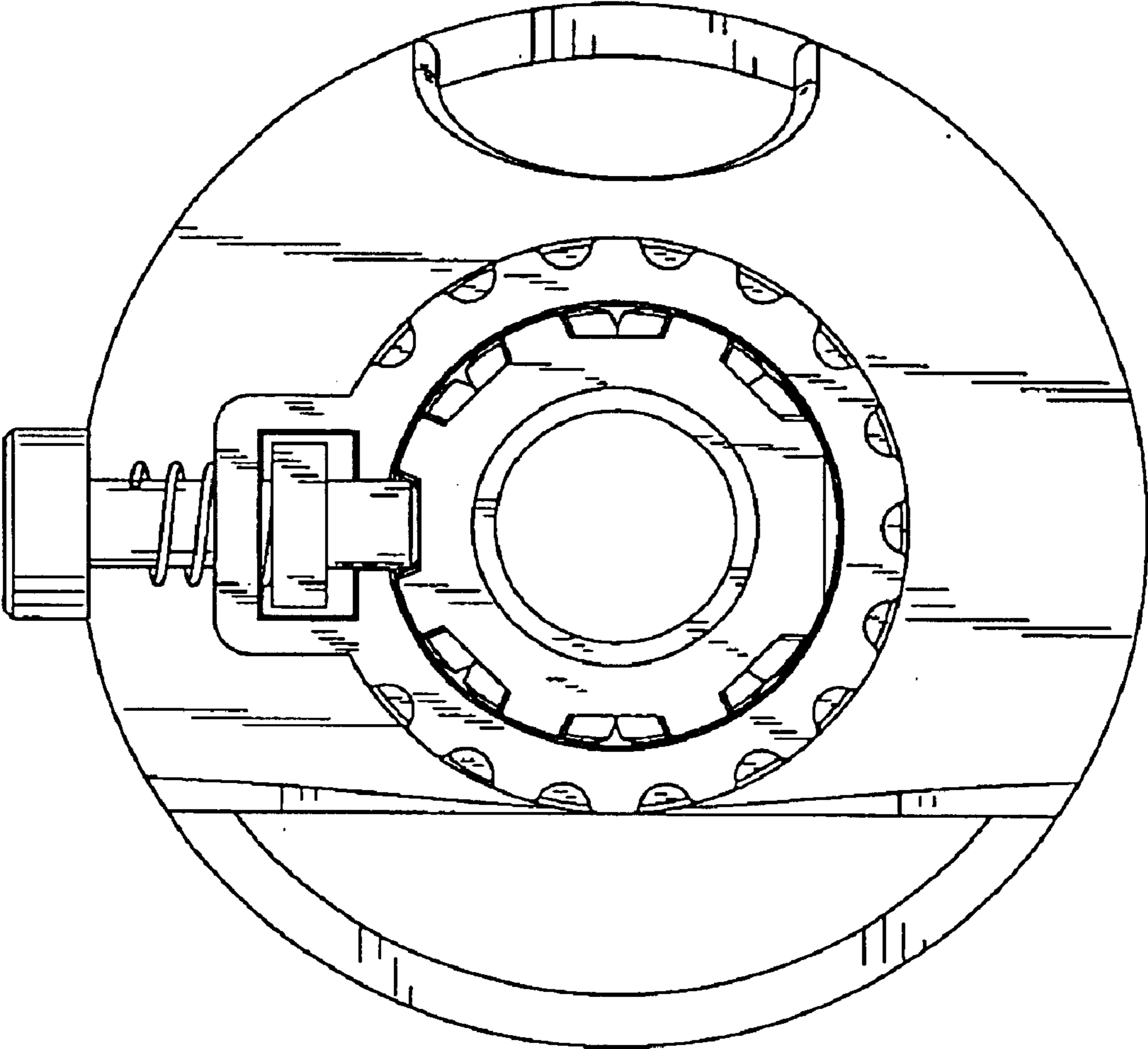


FIG.6

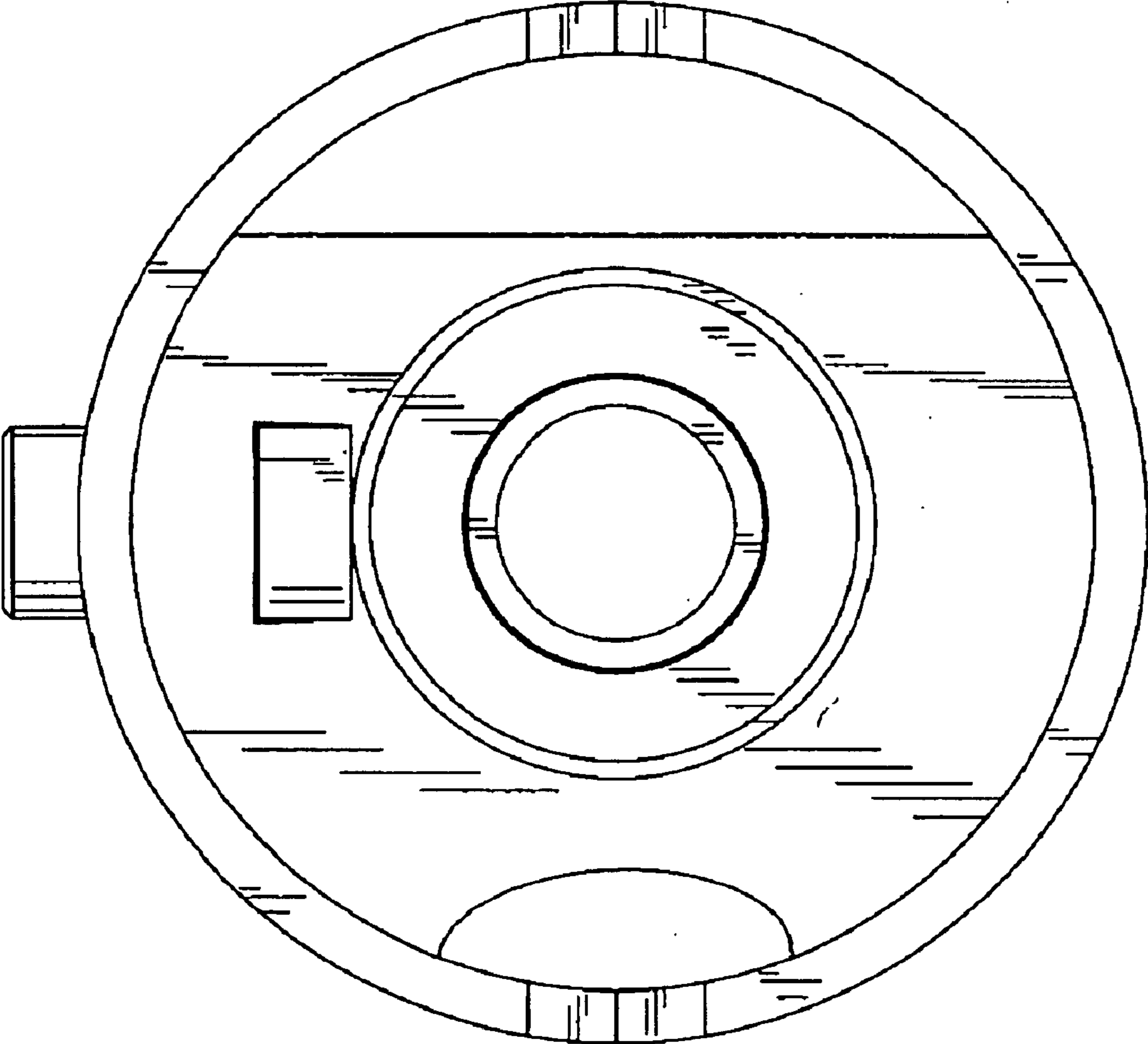


FIG.7