

US00D491782S1

(12) **United States Design Patent**  
**Chiba et al.**

(10) **Patent No.:** **US D491,782 S**  
(45) **Date of Patent:** **\*\* Jun. 22, 2004**

- (54) **AIR-DRIVING BELT SANDER**
- (75) Inventors: **Takashi Chiba**, Tokyo (JP); **Atsushi Miura**, Tokyo (JP)
- (73) Assignee: **Nitto Kohki Co., Ltd.**, Tokyo (JP)
- (\*\*) Term: **14 Years**
- (21) Appl. No.: **29/185,593**
- (22) Filed: **Jul. 1, 2003**
- (30) **Foreign Application Priority Data**  
  - Jun. 9, 2003 (JP) ..... 2003-016205
- (51) **LOC (7) Cl.** ..... **08-01**
- (52) **U.S. Cl.** ..... **D8/62**
- (58) **Field of Search** ..... D8/61, 62, 67,  
  - D8/69; 173/168, 169, 170, 171; 310/50;
  - 451/294, 344, 351, 353, 354, 355, 356,
  - 357, 358, 359

JP	43-36811	2/1971
JP	43-36812	2/1971
JP	43-36813	2/1971
JP	44-3964	3/1971
JP	44-3965	3/1971
JP	44-3966	3/1971
JP	44-35533	3/1971
JP	44-35534	3/1971
JP	44-35535	3/1971
JP	45-29106	2/1973
JP	44-28376	5/1973
JP	46-11081	5/1973
JP	46-25094	5/1973
JP	45-20147	1/1974
JP	45-26296	1/1974
JP	46-538	4/1974
JP	45-20148	7/1974
JP	46-12349	4/1975
JP	46-13585	10/1975
JP	53-7361	8/1980
JP	56-1380	10/1983
JP	57-4429	5/1984

(List continued on next page.)

(56) **References Cited**

**U.S. PATENT DOCUMENTS**

D215,047 S	*	8/1969	Mikiya	.....	D8/62
4,578,906 A	*	4/1986	Appleton	.....	451/355
D298,508 S	*	11/1988	Fukuda et al.	.....	D8/62
D301,966 S	*	7/1989	Currie	.....	D8/62
D321,464 S	*	11/1991	Mikiya	.....	D8/62
D321,465 S	*	11/1991	Mikiya	.....	D8/62
5,210,981 A	*	5/1993	Urda	.....	451/355
D338,382 S	*	8/1993	Fukuda et al.	.....	D8/62
D351,544 S	*	10/1994	Izumisawa	.....	D8/62
D357,164 S	*	4/1995	Izumisawa	.....	D8/62
D387,258 S	*	12/1997	Kiso	.....	D8/62

**FOREIGN PATENT DOCUMENTS**

JP	43-479	5/1969
JP	43-6519	9/1970
JP	43-2096	10/1970
JP	43-13196	11/1970
JP	43-13585	11/1970
JP	43-34411	2/1971
JP	43-36810	2/1971

*Primary Examiner*—Doris V. Coles

*Assistant Examiner*—Elizabeth Albert

(74) *Attorney, Agent, or Firm*—Wenderoth, Lind & Ponack L.L.P.

(57) **CLAIM**

The ornamental design for an air-driving belt sander, as shown and described.

**DESCRIPTION**

FIG. 1 is a perspective view of an air-driving belt sander when seen from the top and left side of the front, showing my new design;

FIG. 2 is a front elevational view thereof;

FIG. 3 is a rear elevational view thereof;

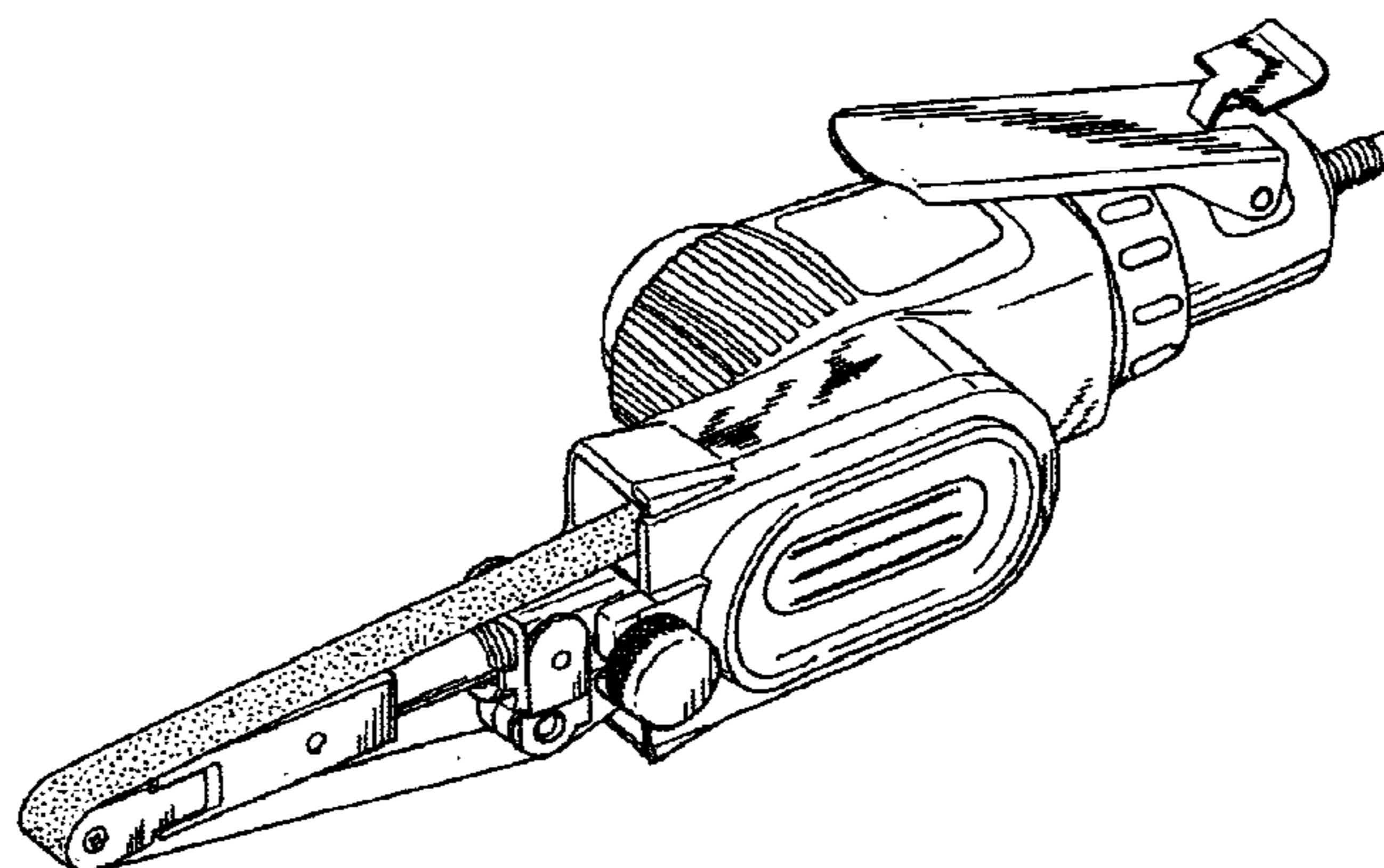
FIG. 4 is a left side elevational view thereof;

FIG. 5 is a right side elevational view thereof;

FIG. 6 is a top plan view thereof; and,

FIG. 7 is a bottom plan view thereof.

**1 Claim, 7 Drawing Sheets**



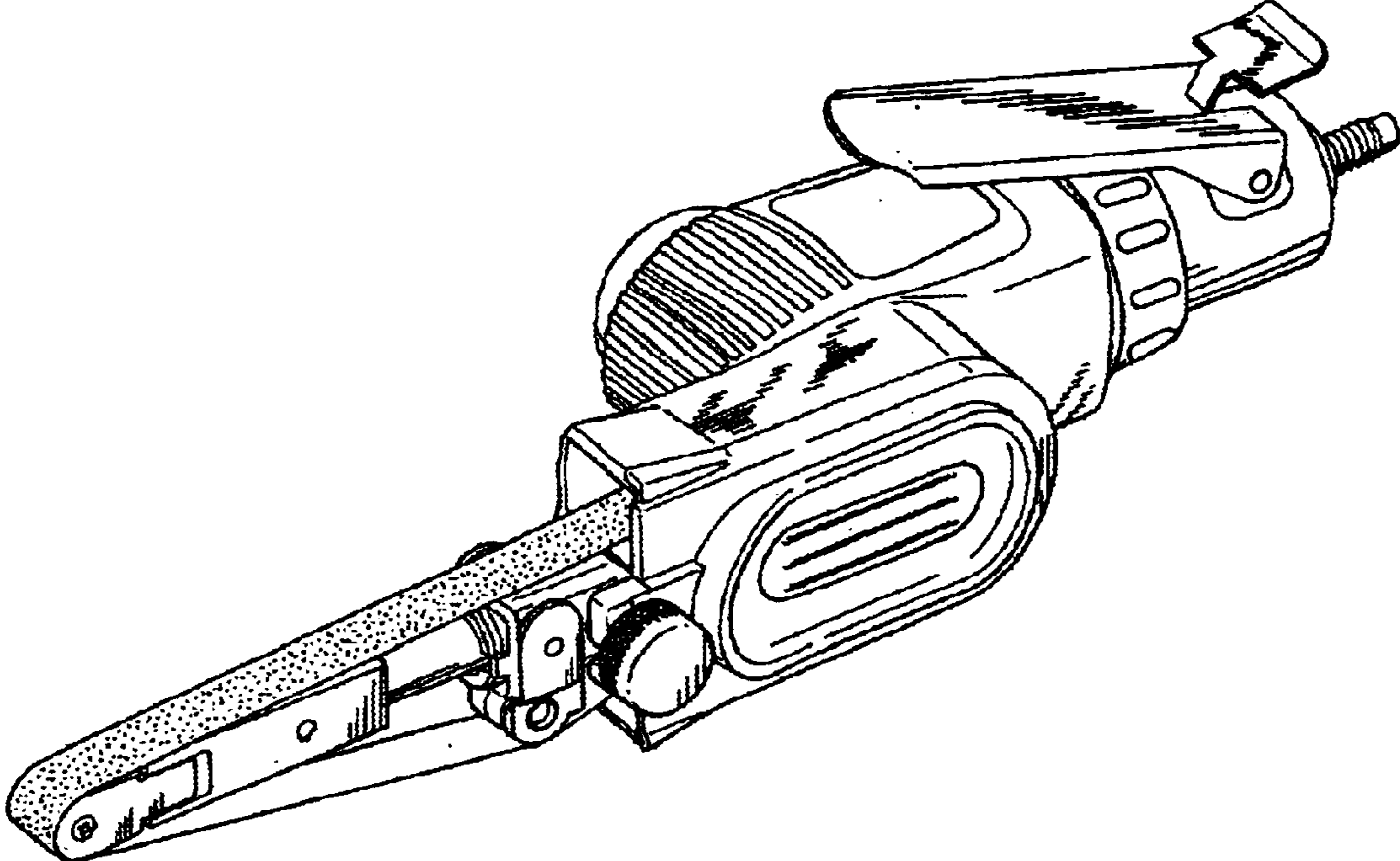
# US D491,782 S

Page 2

---

FOREIGN PATENT DOCUMENTS					
			JP	2-29586	10/1994
			JP	63-34120	3/1997
JP	57-10068	11/1984	JP	1067112	4/2000
JP	57-10069	11/1984	JP	1124059	10/2001
JP	57-10070	11/1984	JP	2002-17355	4/2003
JP	57-47312	11/1984	JP	2002-17356	4/2003
JP	58-53542	3/1991			
JP	1-6646	8/1994			
			* cited by examiner		

FIG. 1



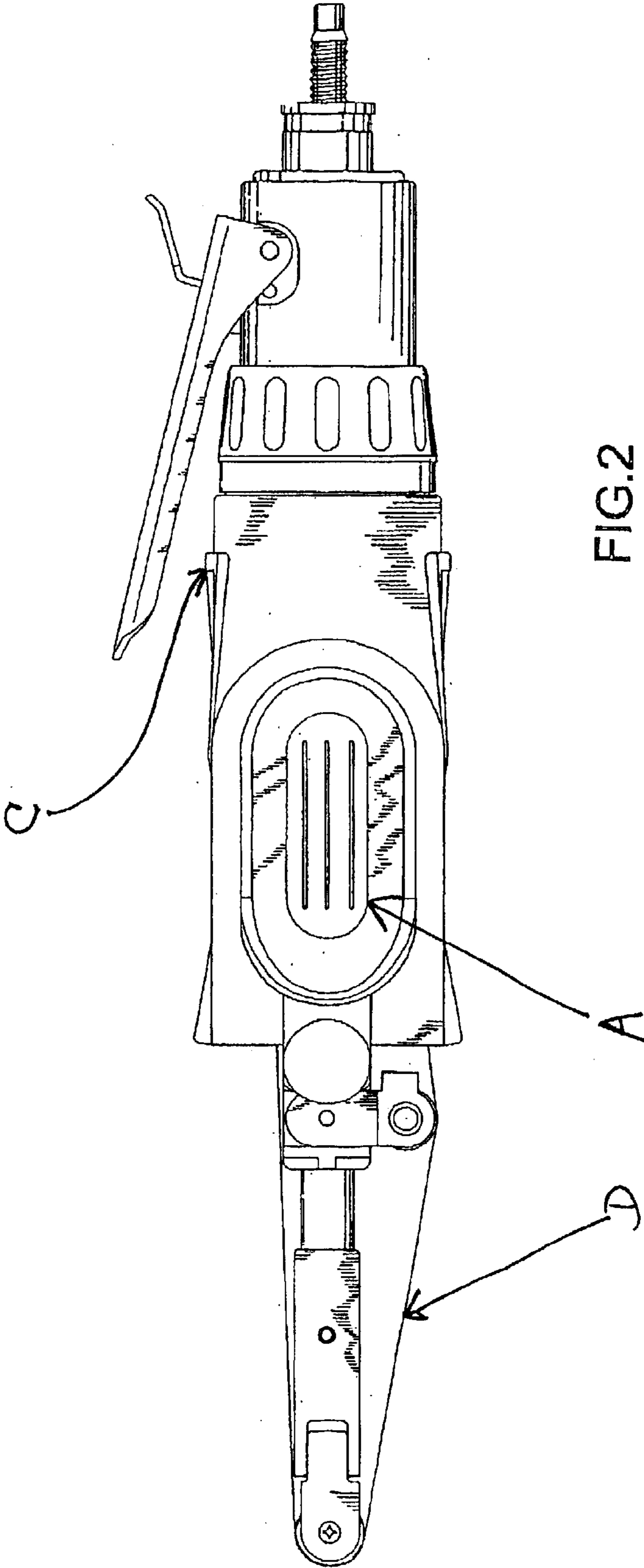


FIG.2

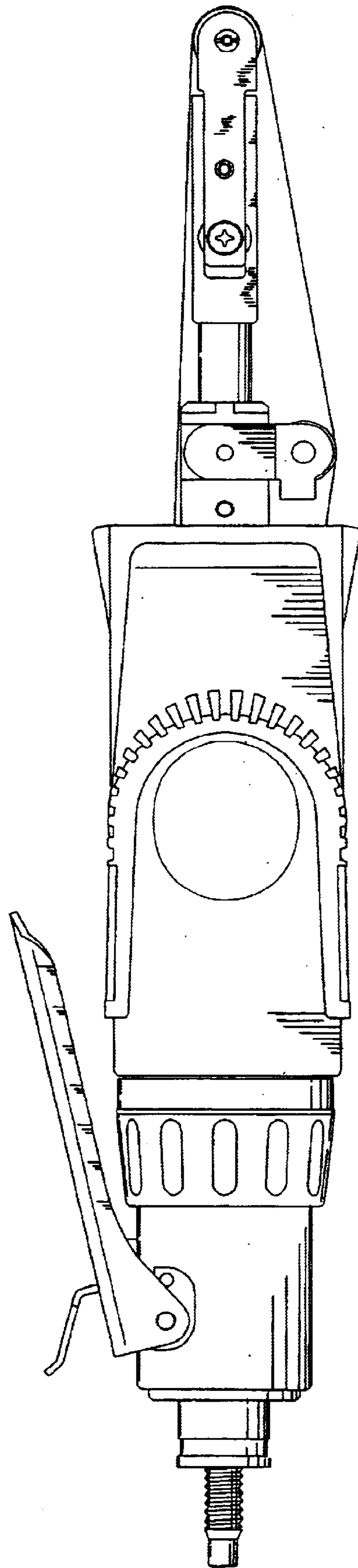


FIG.3

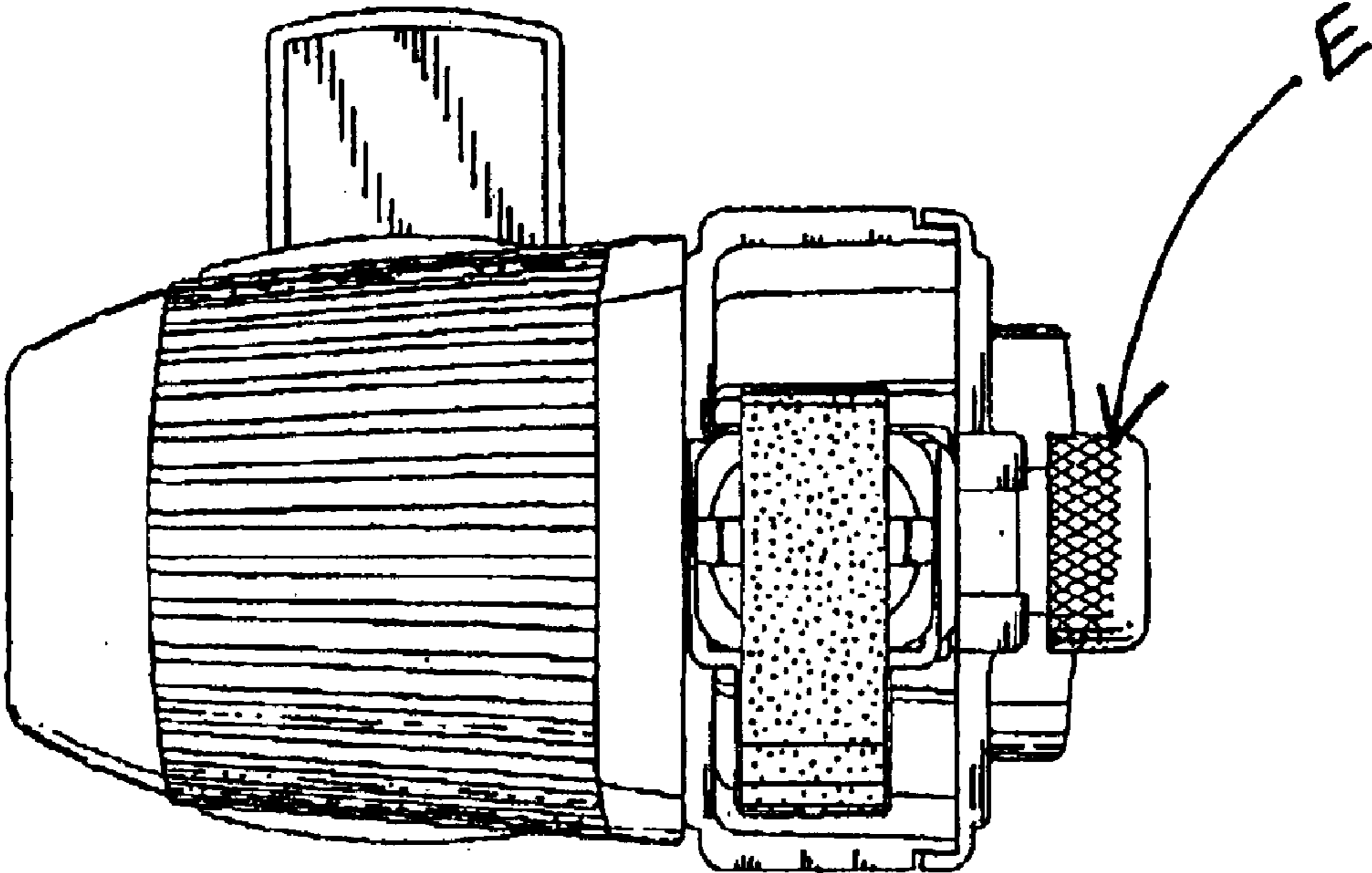


FIG.4

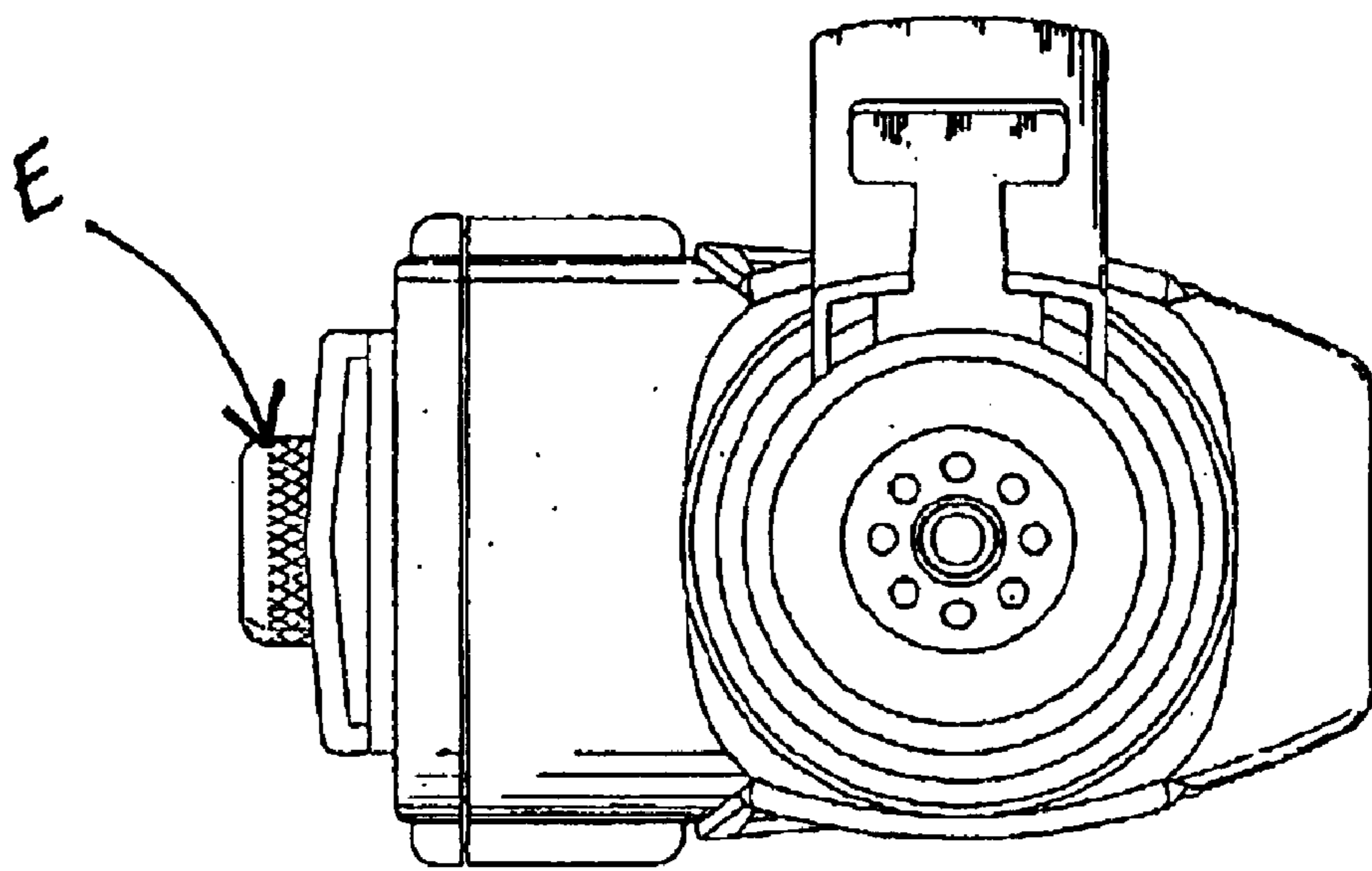


FIG.5

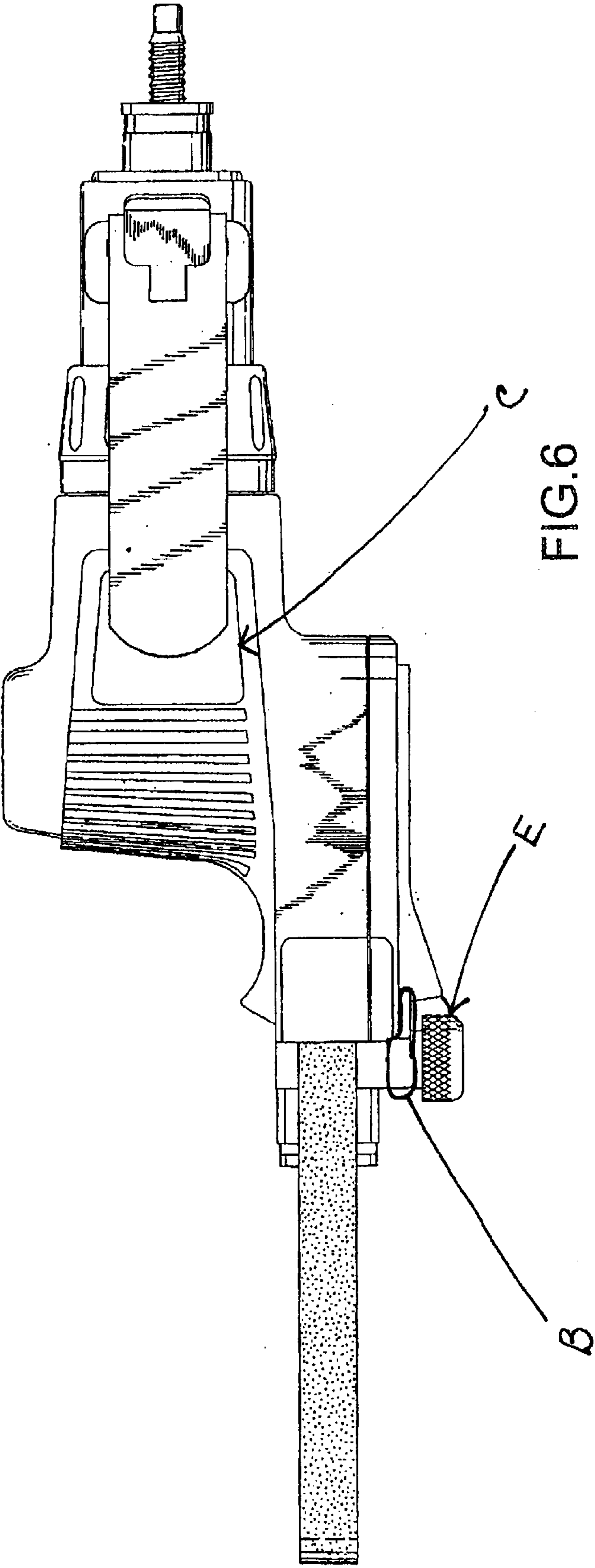


FIG.6



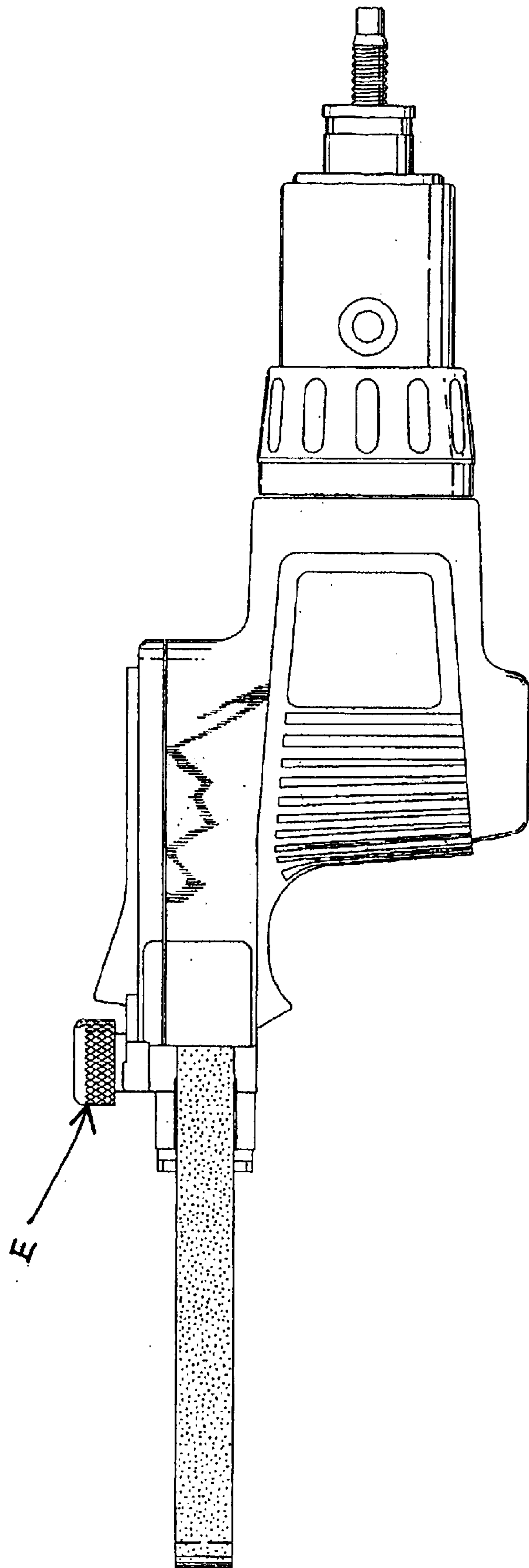


FIG.7