

US00D491778S1

(12) **United States Design Patent**  
**McCoy**

(10) **Patent No.:** **US D491,778 S**  
(45) **Date of Patent:** **\*\* Jun. 22, 2004**

(54) **MAGNETIC MUD PAN HANDLE**

D290,219 S \* 6/1987 Boone ..... D8/45

(75) **Inventor:** **Charles Dennis McCoy**, Sarasota, FL (US)

\* cited by examiner

(73) **Assignee:** **Pro-Line, Inc.**, Sarasota, FL (US)

*Primary Examiner*—Holly Baynham

(74) *Attorney, Agent, or Firm*—Charles J. Prescott

(\*\*) **Term:** **14 Years**

(57) **CLAIM**

The ornamental design for a magnetic mud pan handle, as shown and described.

(21) **Appl. No.:** **29/186,419**

(22) **Filed:** **Jul. 15, 2003**

**DESCRIPTION**

(51) **LOC (7) Cl.** ..... **08-05**

FIG. 1 is a front side elevation view of my magnetic mud pan handle, the rear side elevation view being identical;

(52) **U.S. Cl.** ..... **D8/45**

FIG. 2 is a top plan view thereof;

(58) **Field of Search** ..... D8/14, 45, 107;  
15/235.3, 235.4

FIG. 3 is a bottom plan view thereof; and,

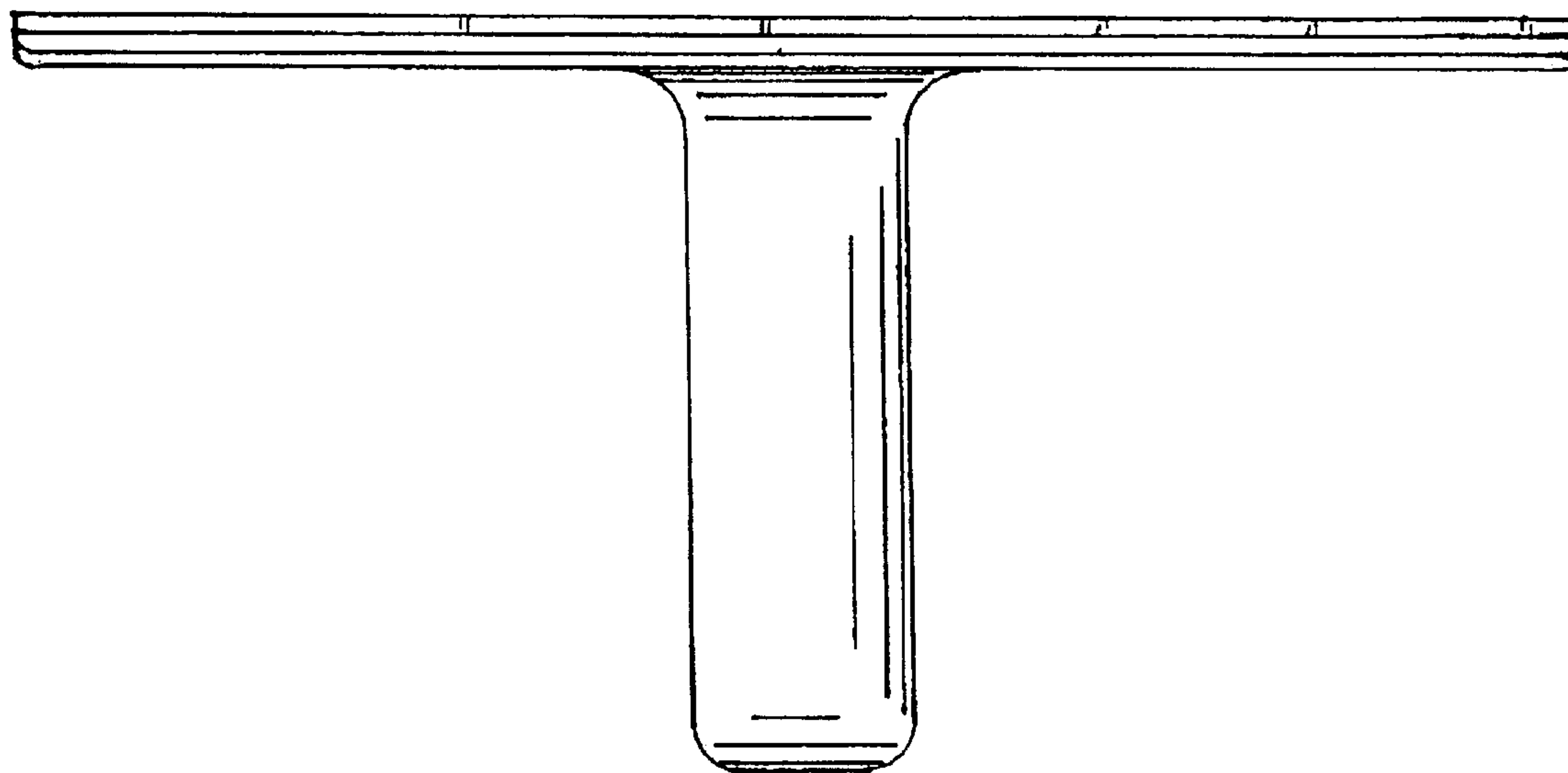
FIG. 4 is a right end elevation view thereof, the left end elevation view being identical.

(56) **References Cited**

**U.S. PATENT DOCUMENTS**

D246,569 S \* 12/1977 Wesson ..... D8/45

**1 Claim, 1 Drawing Sheet**



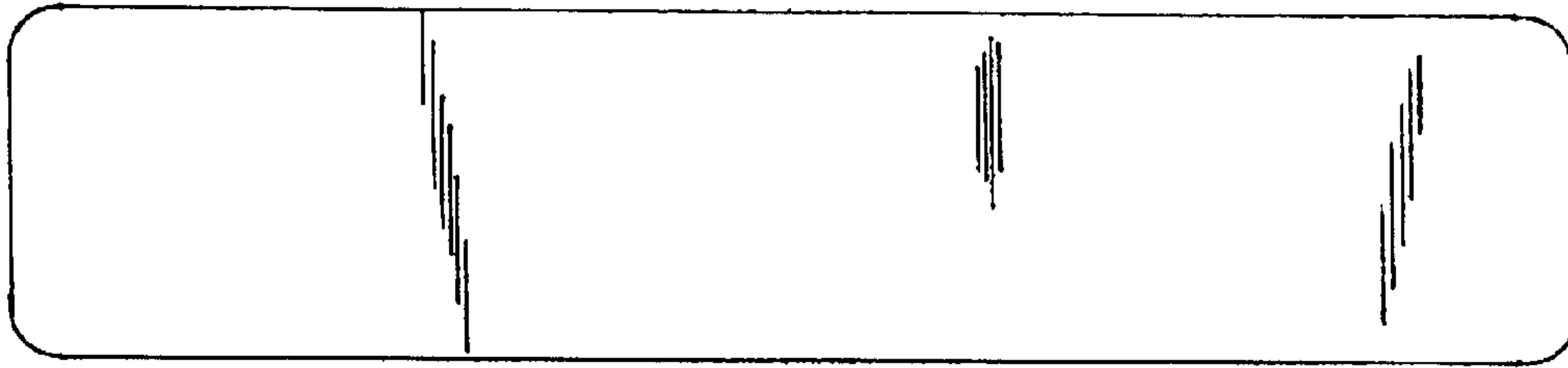


FIG 2

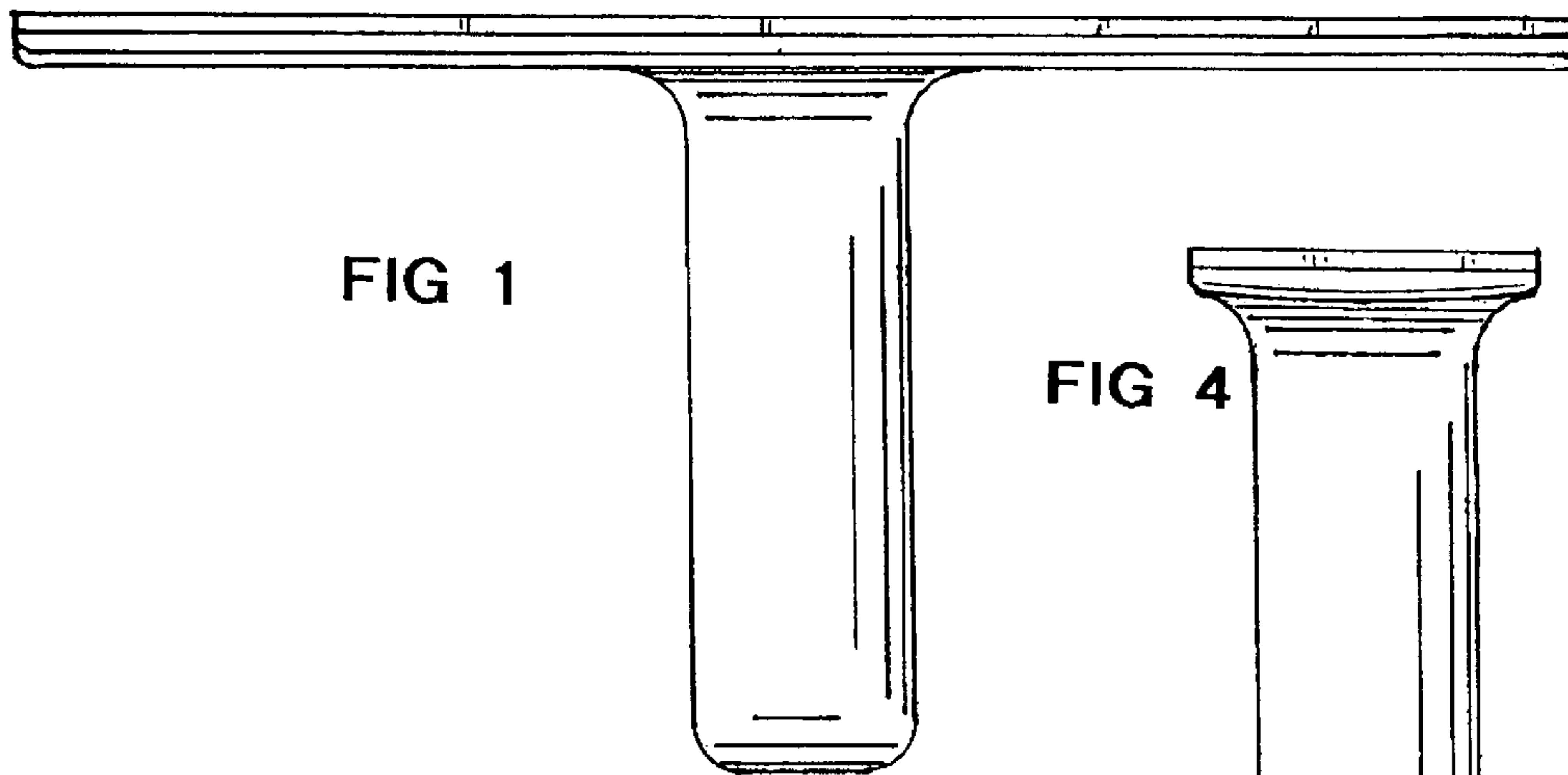


FIG 1

FIG 4

FIG 3

