



US00D491775S1

(12) **United States Design Patent**
Tomchak et al.

(10) **Patent No.:** **US D491,775 S**
(45) **Date of Patent:** **** Jun. 22, 2004**

(54) **GARDEN CUTTING TOOL**

(75) Inventors: **Michael J. Tomchak**, Harrisburg, PA
(US); **Karen Richwine**, Mechanicsburg,
PA (US)

(73) Assignee: **Ames True Temper, Inc.**, Camp Hill,
PA (US)

(**) Term: **14 Years**

(21) Appl. No.: **29/187,924**

(22) Filed: **Aug. 8, 2003**

(51) **LOC (7) Cl.** **08-01**

(52) **U.S. Cl.** **D8/5**

(58) **Field of Search** D8/4, 5, 57; 30/260,
30/262, 251-252

D455,938 S * 4/2002 Wu D8/5
2002/0020067 A1 2/2002 Silver et al.
2002/0046466 A1 4/2002 Deville
2002/0083809 A1 7/2002 Knight

OTHER PUBLICATIONS

Langenbach Catalog, p. 11, trimming shear, Spring 1992.*
Flying High Brochure, p. 13, pruning shear circled near
bottom of page, Aug. 15, 1995.*

* cited by examiner

Primary Examiner—Holly Baynham

(74) *Attorney, Agent, or Firm*—Brij K. Agarwal; Eckert
Seamans Cherin & Mellott, LLC

(57) **CLAIM**

The ornamental design for a garden cutting tool, as shown
and described.

(56) **References Cited**

U.S. PATENT DOCUMENTS

| | | | |
|--------------|-----------|--------------------|-------|
| 3,596,355 A | 8/1971 | Wertepay, Sr. | |
| 4,502,222 A | 3/1985 | Sargent | |
| D307,696 S | * 5/1990 | Ishida et al. | D8/5 |
| 4,980,975 A | 1/1991 | Hodson | |
| 5,020,222 A | 6/1991 | Gosselin et al. | |
| 5,108,343 A | 4/1992 | Gilliam | |
| 5,815,866 A | 10/1998 | Janky | |
| 5,950,316 A | 9/1999 | Asselin et al. | |
| D434,285 S | * 11/2000 | Podlesny | D8/5 |
| 6,223,440 B1 | 5/2001 | Rashman | |
| D450,987 S | * 11/2001 | Chien | D8/57 |

DESCRIPTION

FIG. 1 is a front perspective view of a garden cutting tool
showing our new design;

FIG. 2 is a front elevational view thereof;

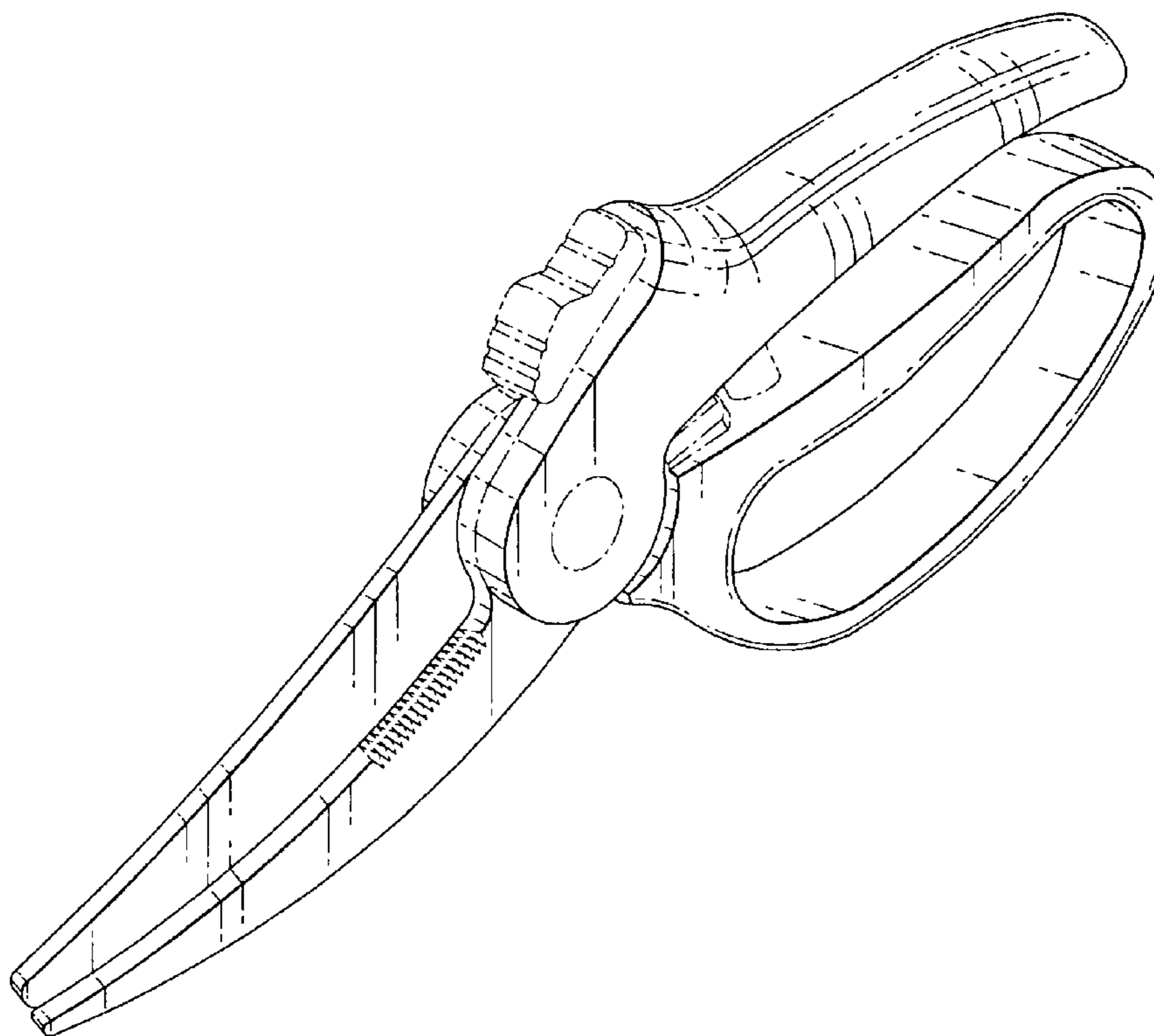
FIG. 3 is a top plan view thereof;

FIG. 4 is a bottom plan view thereof; and,

FIG. 5 is a rear elevational view thereof.

The broken line showing of locking elements is for illus-
trative purposes only and forms no part of the claimed
design.

1 Claim, 4 Drawing Sheets



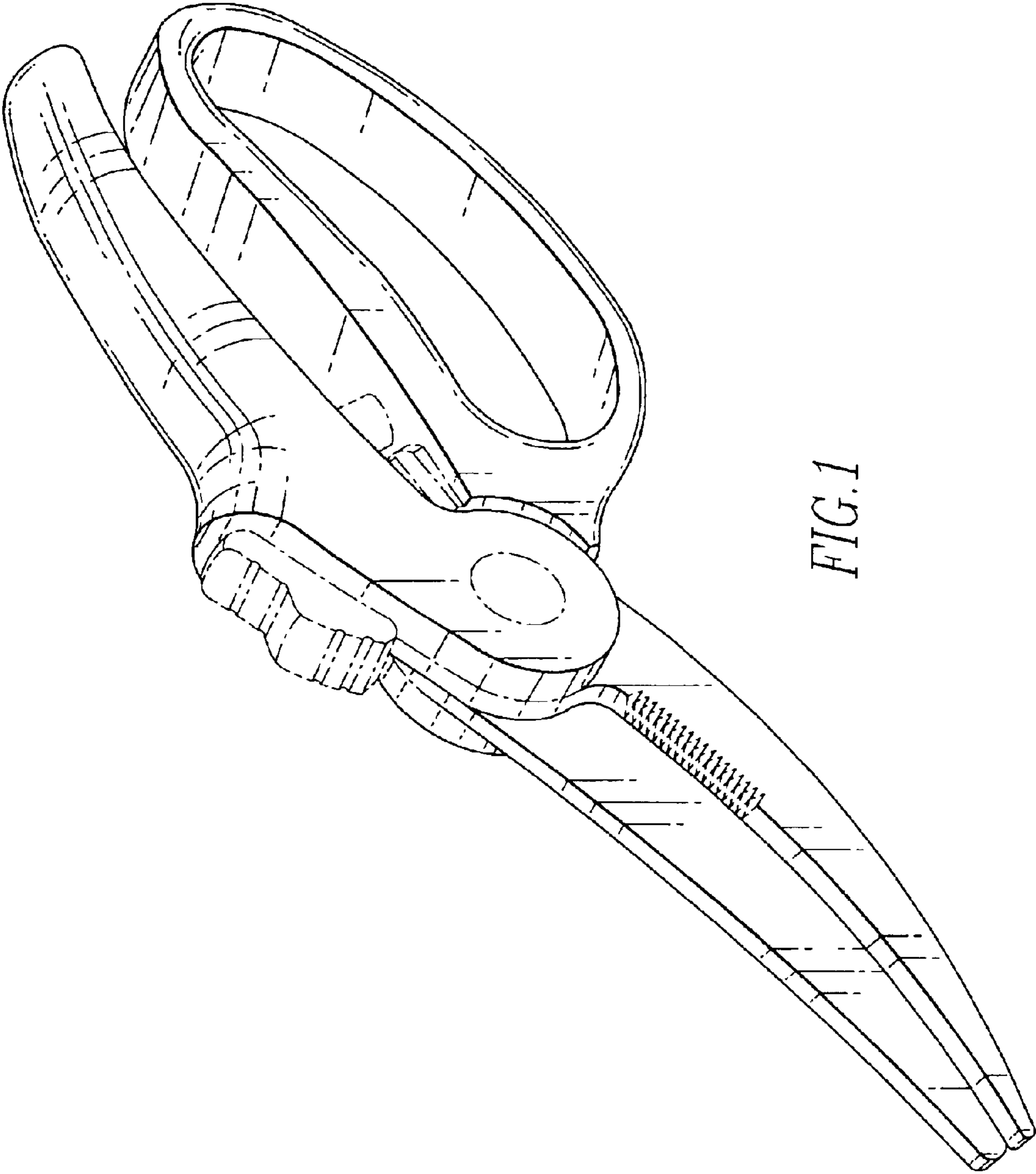


FIG. 1

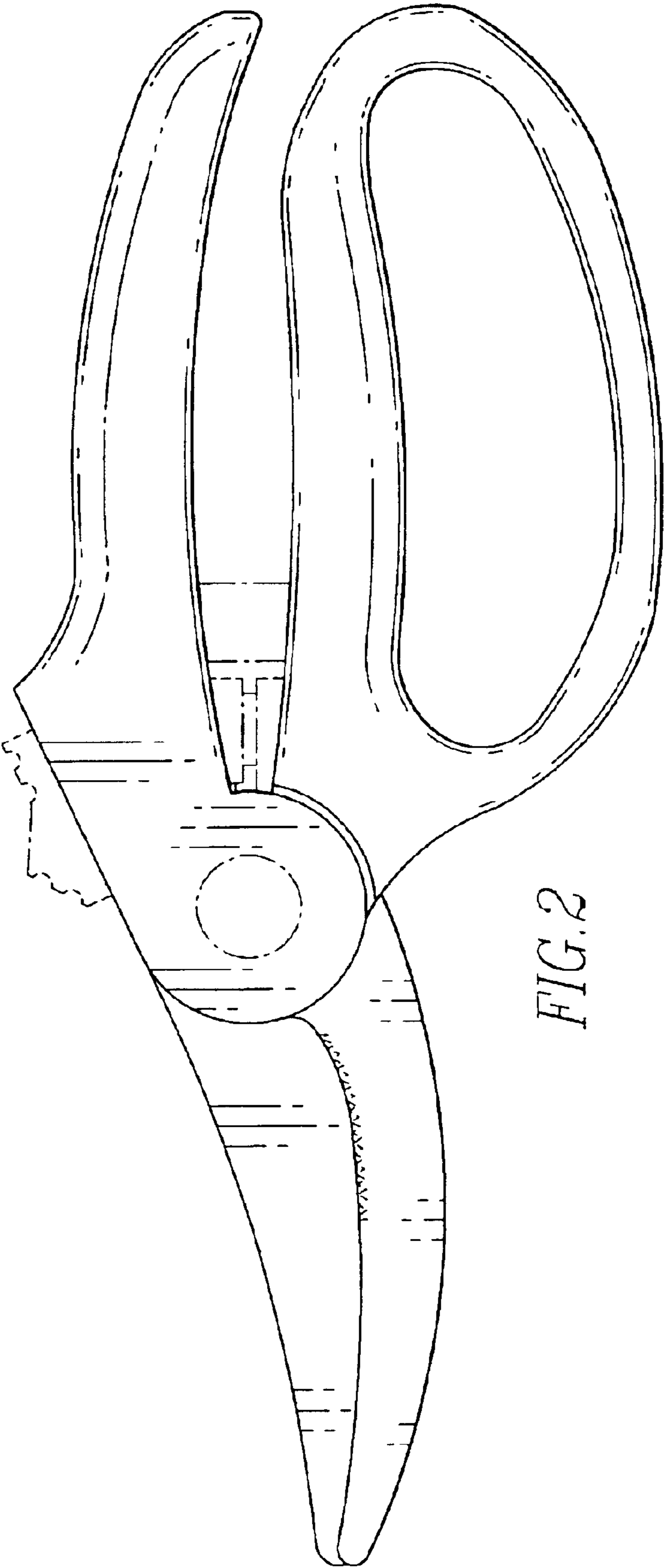


FIG. 2

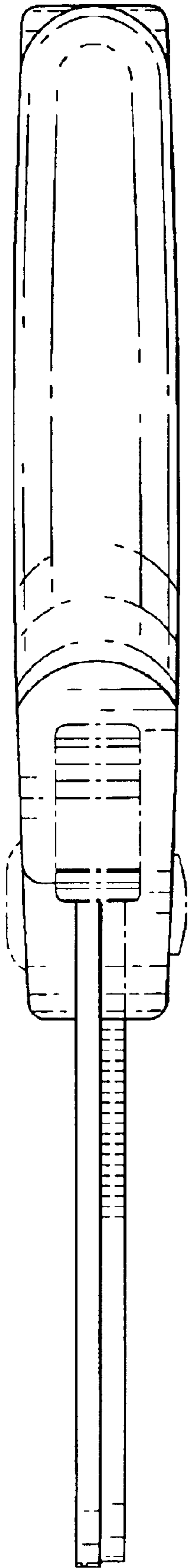


FIG. 3

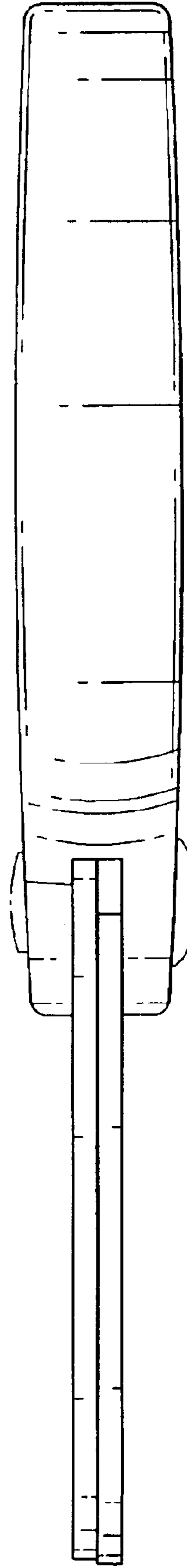


FIG. 4

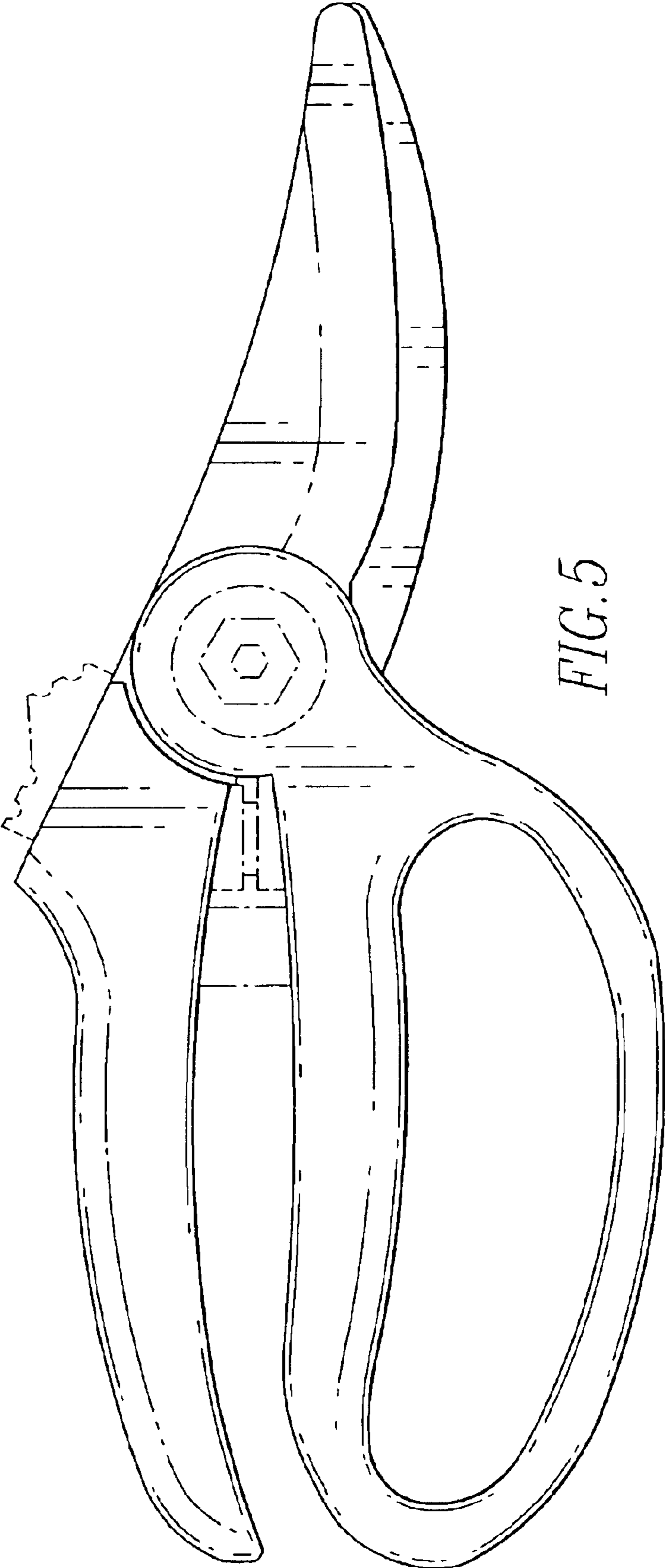


FIG. 5