

US00D491773S1

(12) **United States Design Patent**  
**So**

(10) **Patent No.: US D491,773 S**

(45) **Date of Patent: \*\* Jun. 22, 2004**

(54) **ROTARY GRATER**

D415,938 S \* 11/1999 Blaise ..... D7/678

(76) **Inventor: Kwok Kuen So**, 2<sup>nd</sup> Floor, Chuan Yuan  
Factory Building, 342-344 Kwun Tong  
Rd., Kwun Tong, Kowloon, HK SAR  
(CN)

\* cited by examiner

*Primary Examiner*—Terry A. Wallace  
(74) *Attorney, Agent, or Firm*—Alix, Yale & Ristas, LLP

(\*\*) **Term: 14 Years**

(57) **CLAIM**

The ornamental design for a rotary grater, as shown and described.

(21) **Appl. No.: 29/182,374**

(22) **Filed: May 22, 2003**

**DESCRIPTION**

(51) **LOC (7) Cl.** ..... **07-04**

(52) **U.S. Cl.** ..... **D7/678**

(58) **Field of Search** ..... D7/678, 693, 372,  
D7/373, 374, 383; 99/494, 495, 510; 241/37.5,  
92, 95, 273.1–273.4, 168, 169

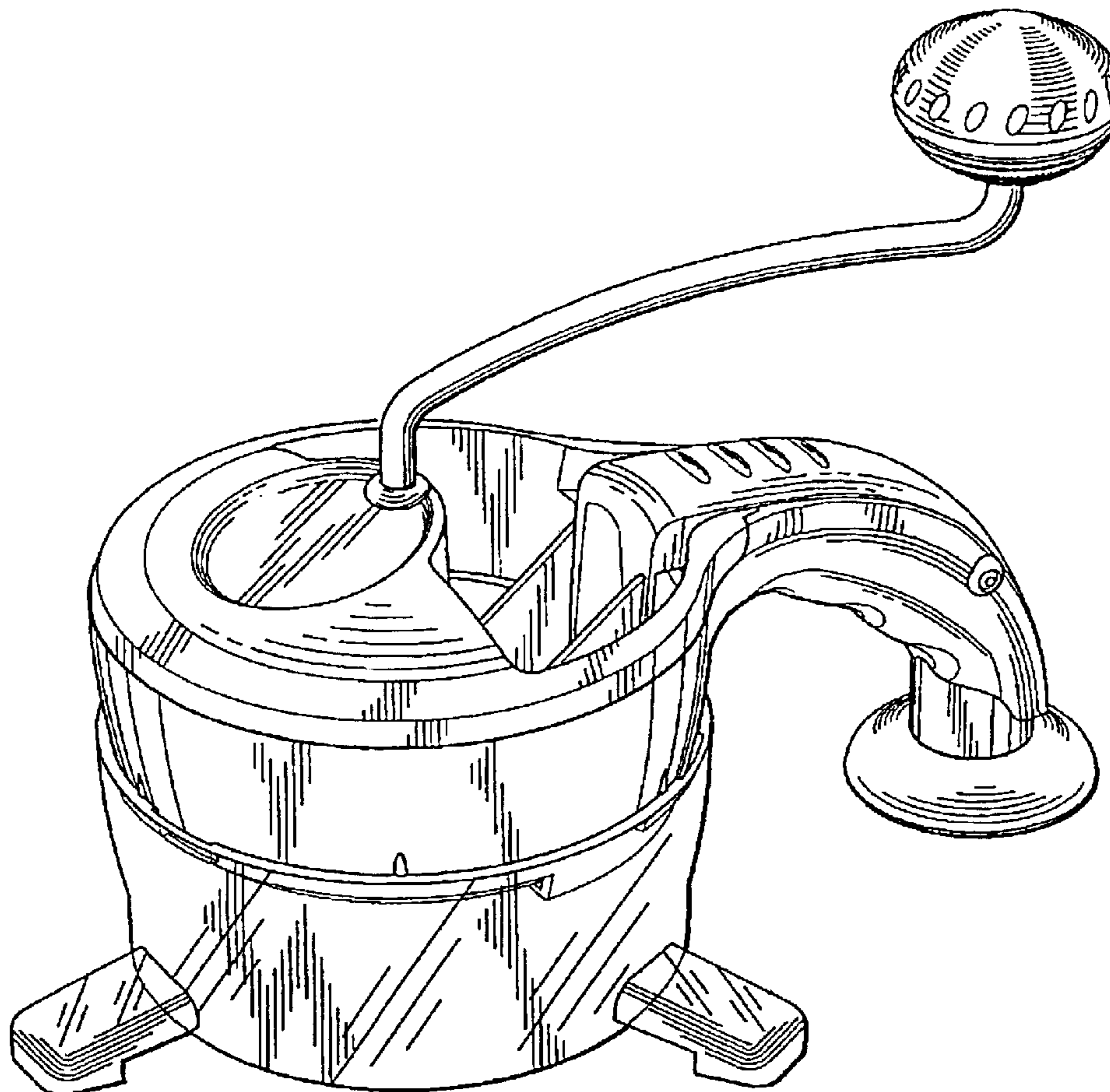
FIG. 1 is a front, left side and top perspective view of a rotary grater showing my new design  
FIG. 2 is a rear, left side and top perspective view thereof;  
FIG. 3 is a left side elevational view thereof;  
FIG. 4 is a right side elevational view thereof;  
FIG. 5 is a front elevational view thereof;  
FIG. 6 is a rear elevational view thereof;  
FIG. 7 is a top plan view thereof; and,  
FIG. 8 is a bottom plan view thereof.

(56) **References Cited**

**U.S. PATENT DOCUMENTS**

2,639,748 A \* 5/1953 Peel ..... 241/273.1  
5,735,193 A \* 4/1998 Chang ..... 241/37.5

**1 Claim, 7 Drawing Sheets**



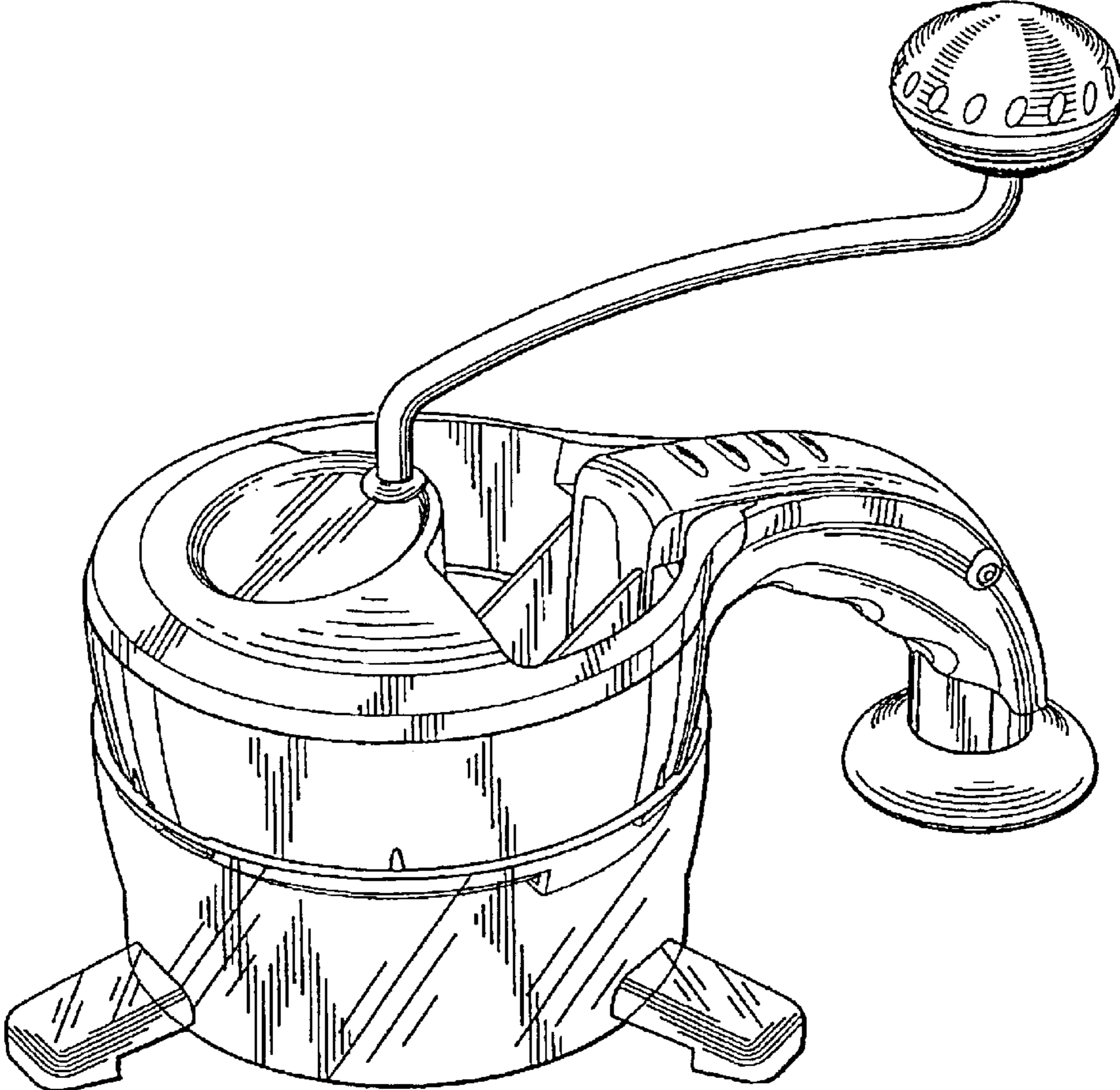


FIG. 1

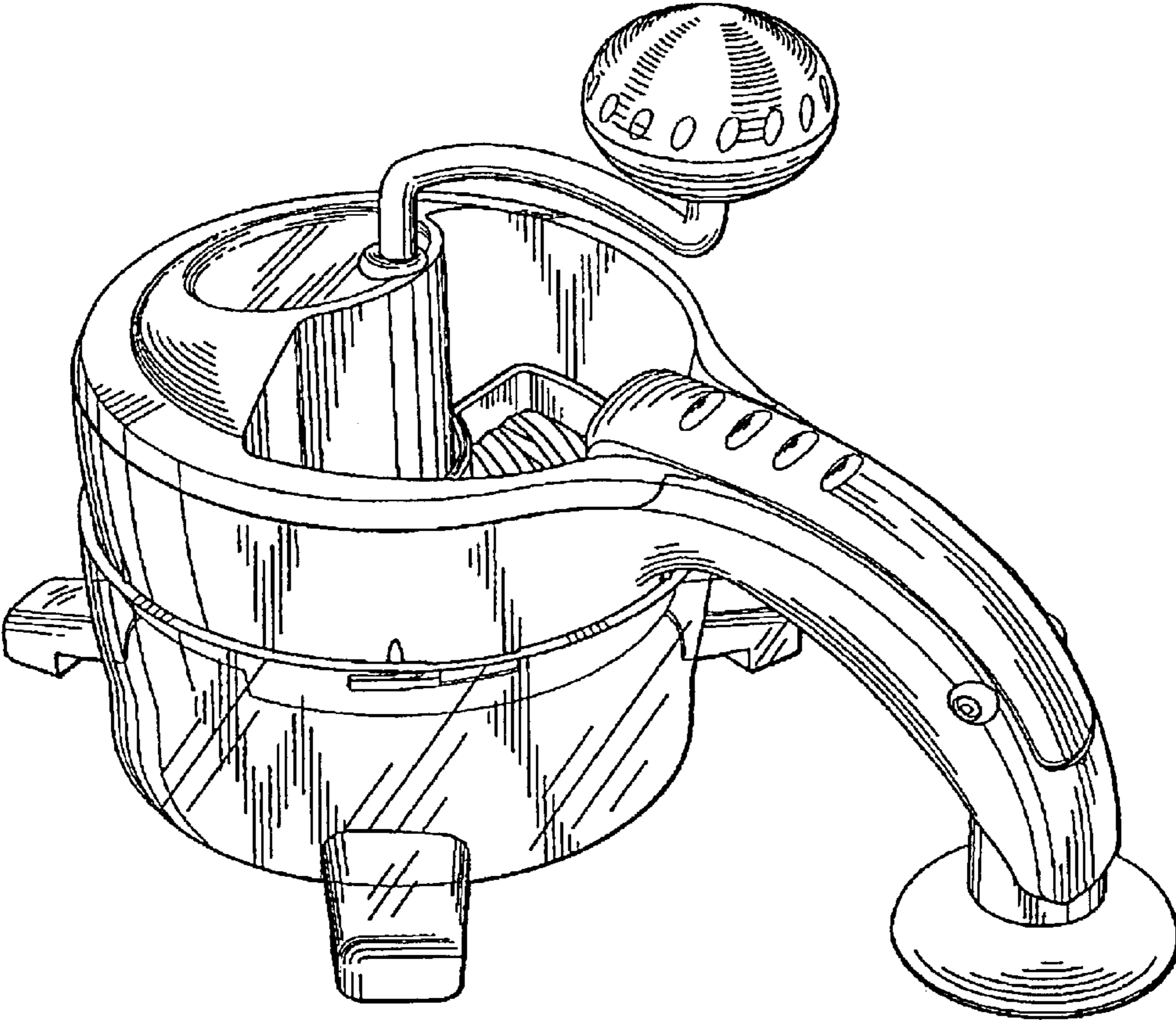


FIG. 2

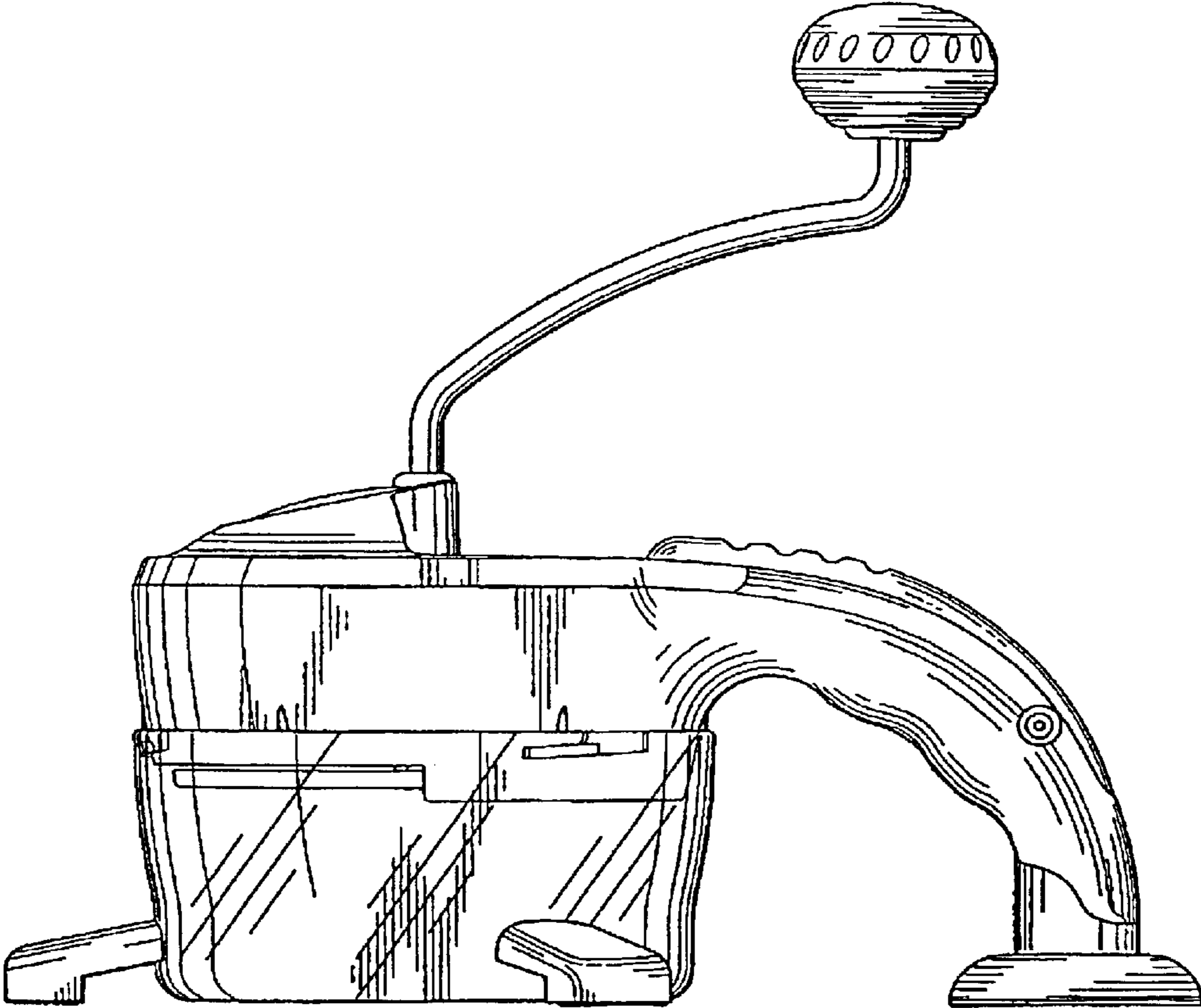


FIG. 3



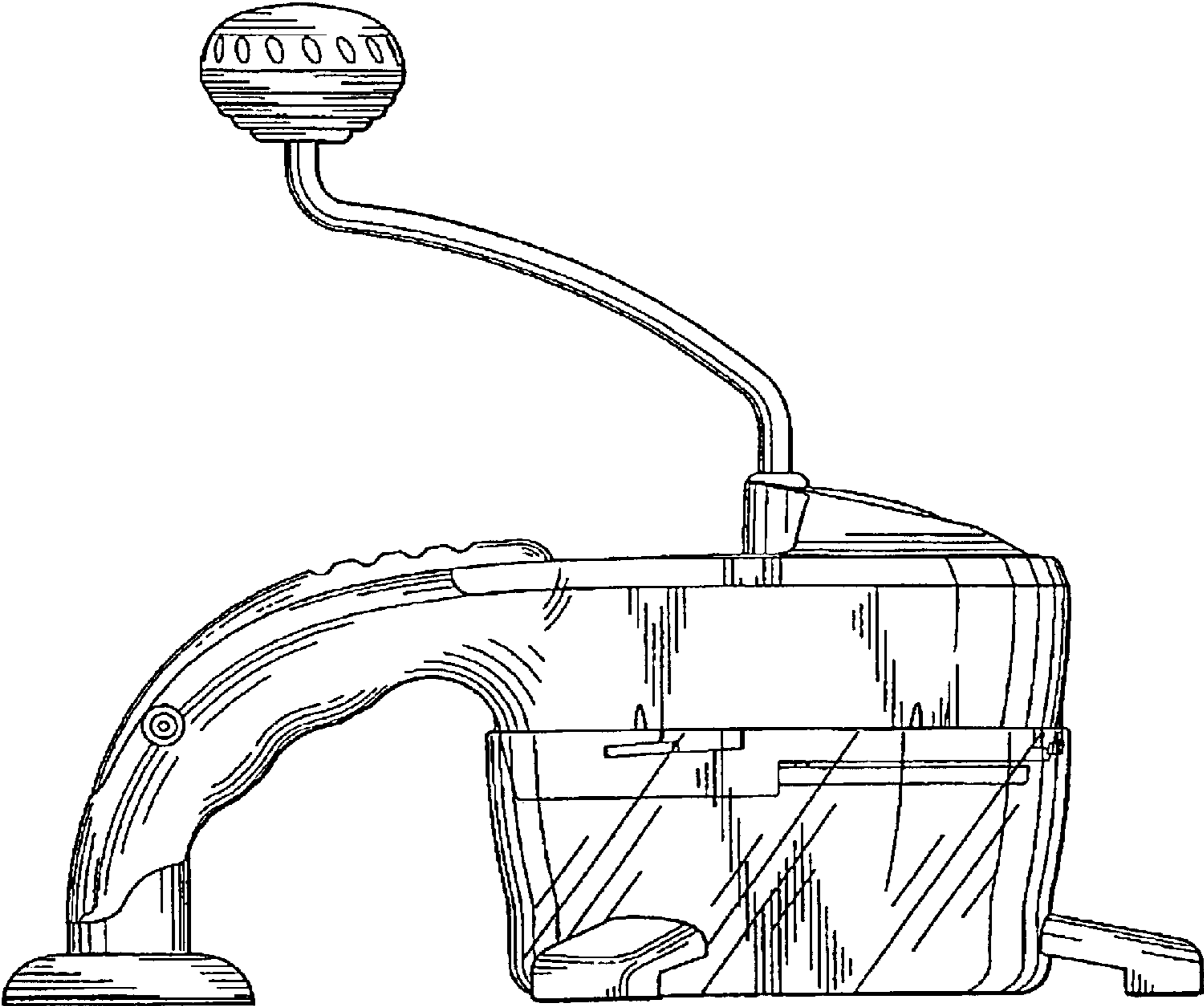


FIG. 4

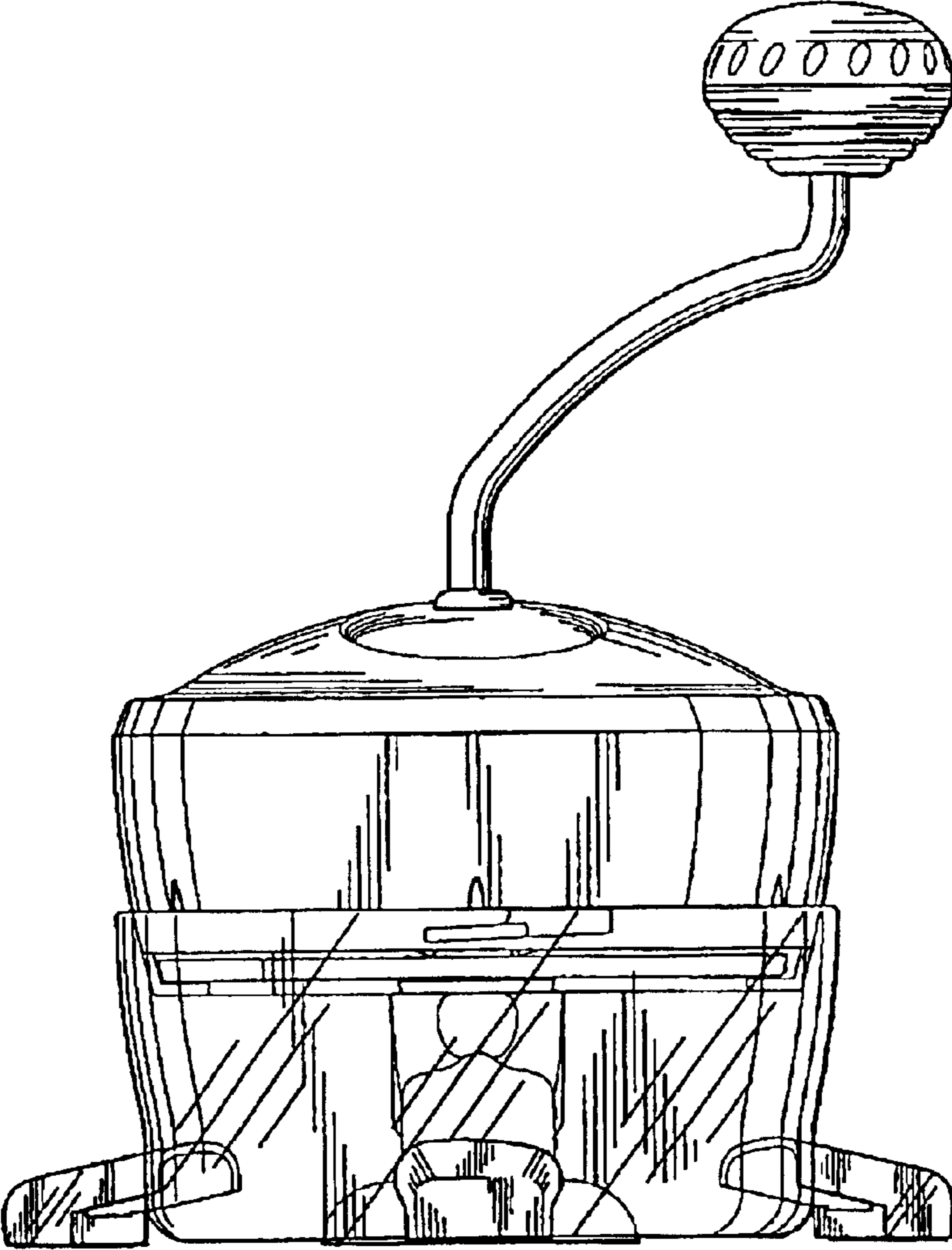


FIG. 5

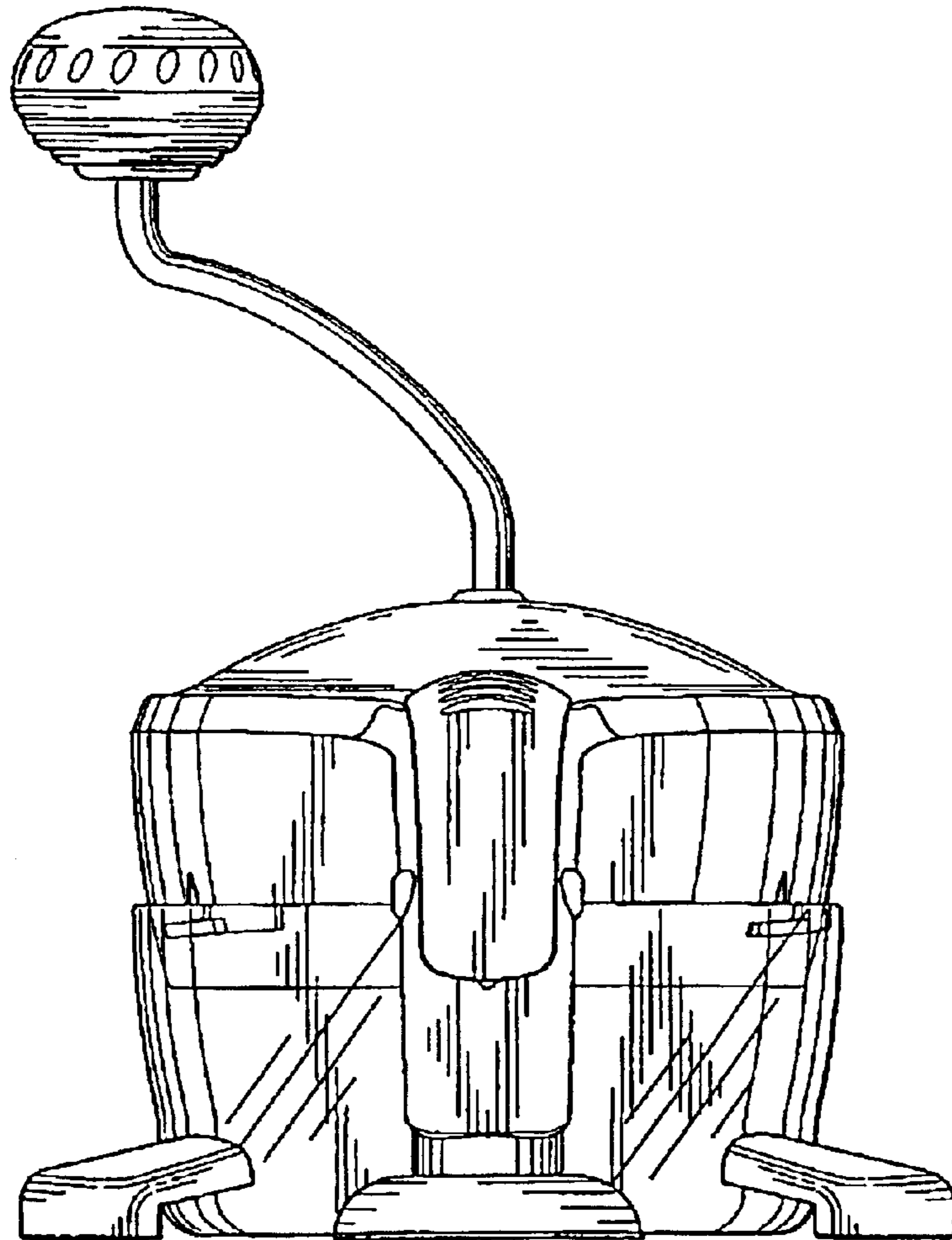


FIG. 6

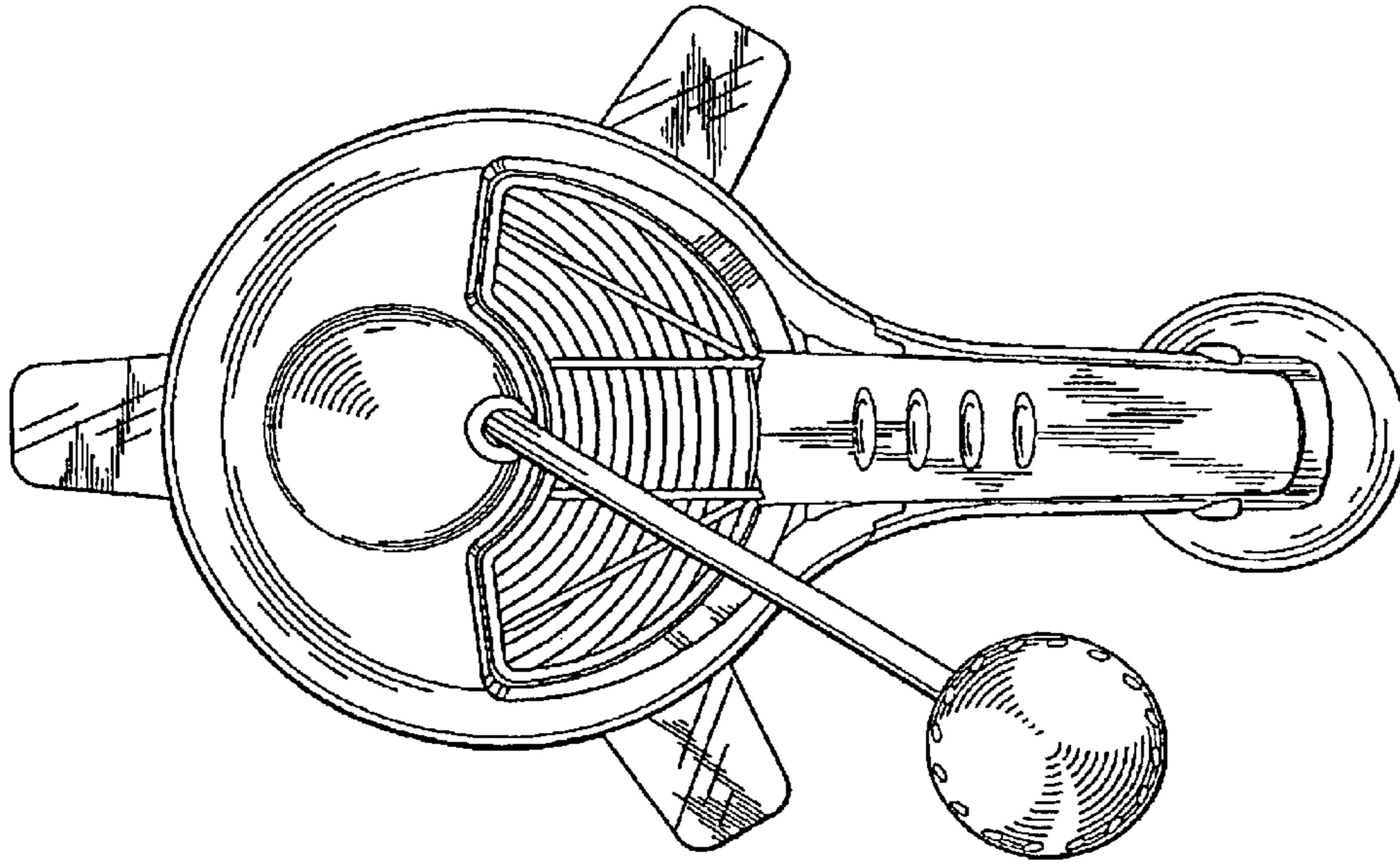


FIG. 7

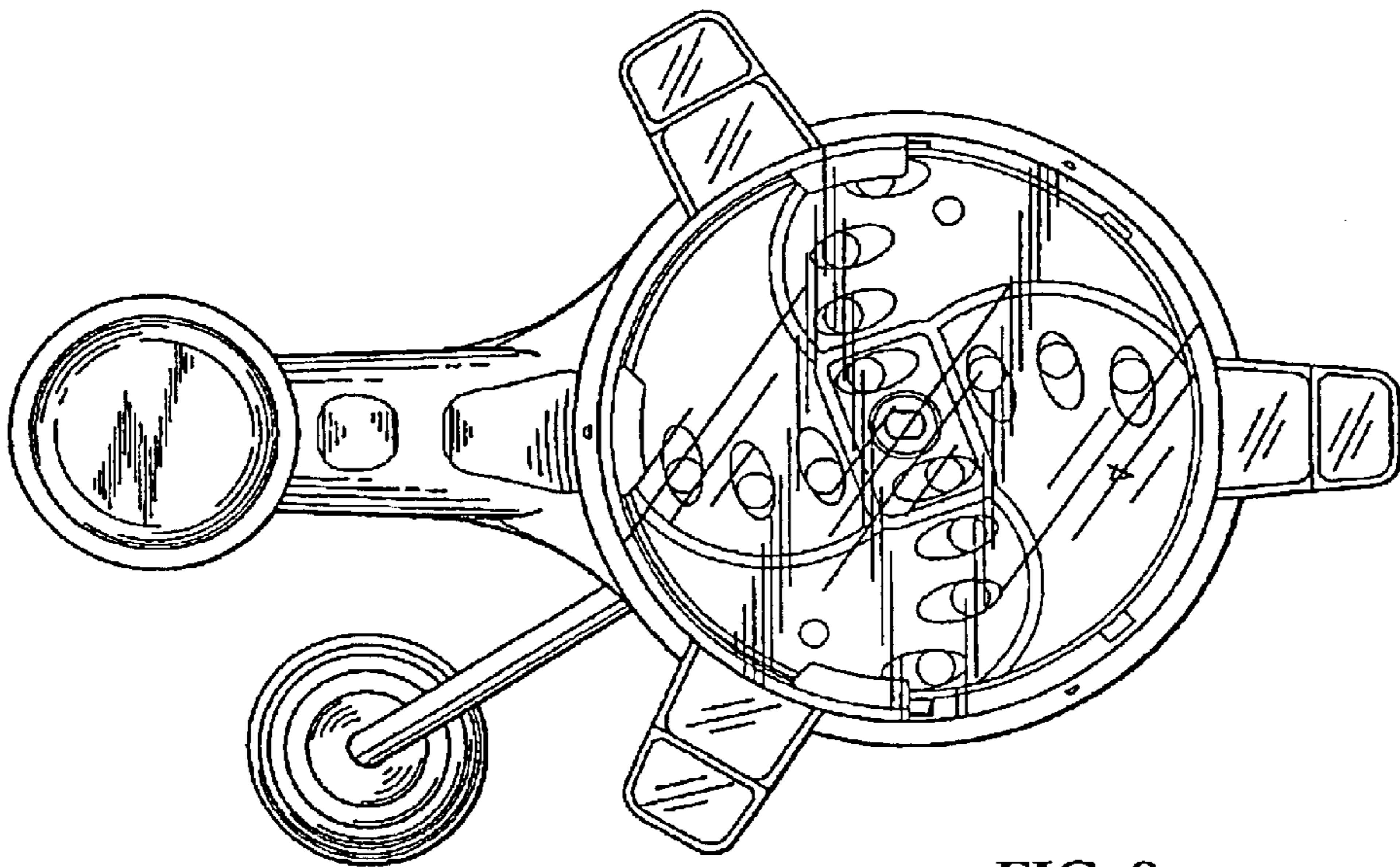


FIG. 8