



US00D491772S1

(12) **United States Design Patent**
Brousseau et al.

(10) **Patent No.:** **US D491,772 S**
(45) **Date of Patent:** **** Jun. 22, 2004**

(54) **GARLIC PRESS**

5,513,562 A * 5/1996 Moor 100/112
D468,595 S * 1/2003 Lillelund et al. D7/666
6,505,548 B1 * 1/2003 Lillelund et al. 99/510

(75) Inventors: **Yvan Brousseau**, Montreal (CA);
Francois Duval, Terrebonne (CA);
Derek Hunziker, Montreal (CA);
Patrick Mainville, Montreal (CA);
Jean Marcoux, Montreal (CA); **Gad Shaanan**, La Jolla, CA (US)

* cited by examiner

Primary Examiner—Terry A. Wallace
(74) *Attorney, Agent, or Firm*—Piper Rudnick LLP

(73) Assignee: **Wilton Industries, Inc.**, Woodridge, IL (US)

(57) **CLAIM**

The ornamental design for the garlic press, as shown and described.

(**) Term: **14 Years**

DESCRIPTION

(21) Appl. No.: **29/186,075**

FIG. 1 is a front top perspective view of the garlic press;
FIG. 2 is a rear bottom perspective view of the garlic press;
FIG. 3 is a top plan view of the garlic press;
FIG. 4 is a front elevational view of the garlic press;
FIG. 5 is a bottom plan view of the garlic press;
FIG. 6 is a rear elevational view of the garlic press;
FIG. 7 is a side elevational view of the garlic press, the opposite of which is an identical mirror image; and,
FIG. 8 is an open rear top perspective view of the garlic press.

(22) Filed: **Jul. 9, 2003**

(51) **LOC (7) Cl.** **07-04**

(52) **U.S. Cl.** **D7/666**

(58) **Field of Search** D7/665, 666, 680;
99/495, 506–511; 100/99, 112, 125, 116,
234, 243; 241/169.1, 273.3, 169.2

(56) **References Cited**

U.S. PATENT DOCUMENTS

5,467,699 A * 11/1995 Laib 99/495

1 Claim, 3 Drawing Sheets

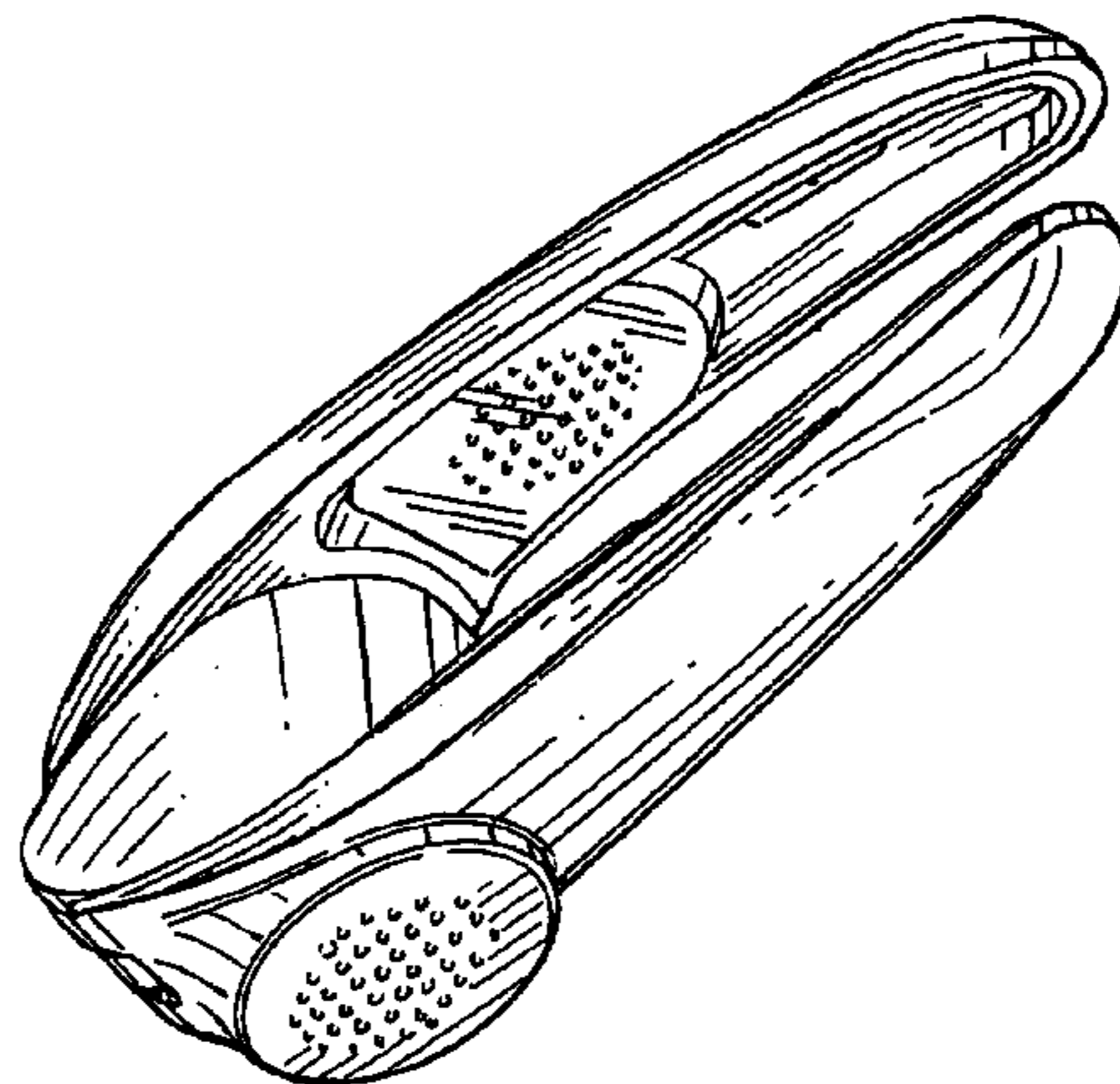
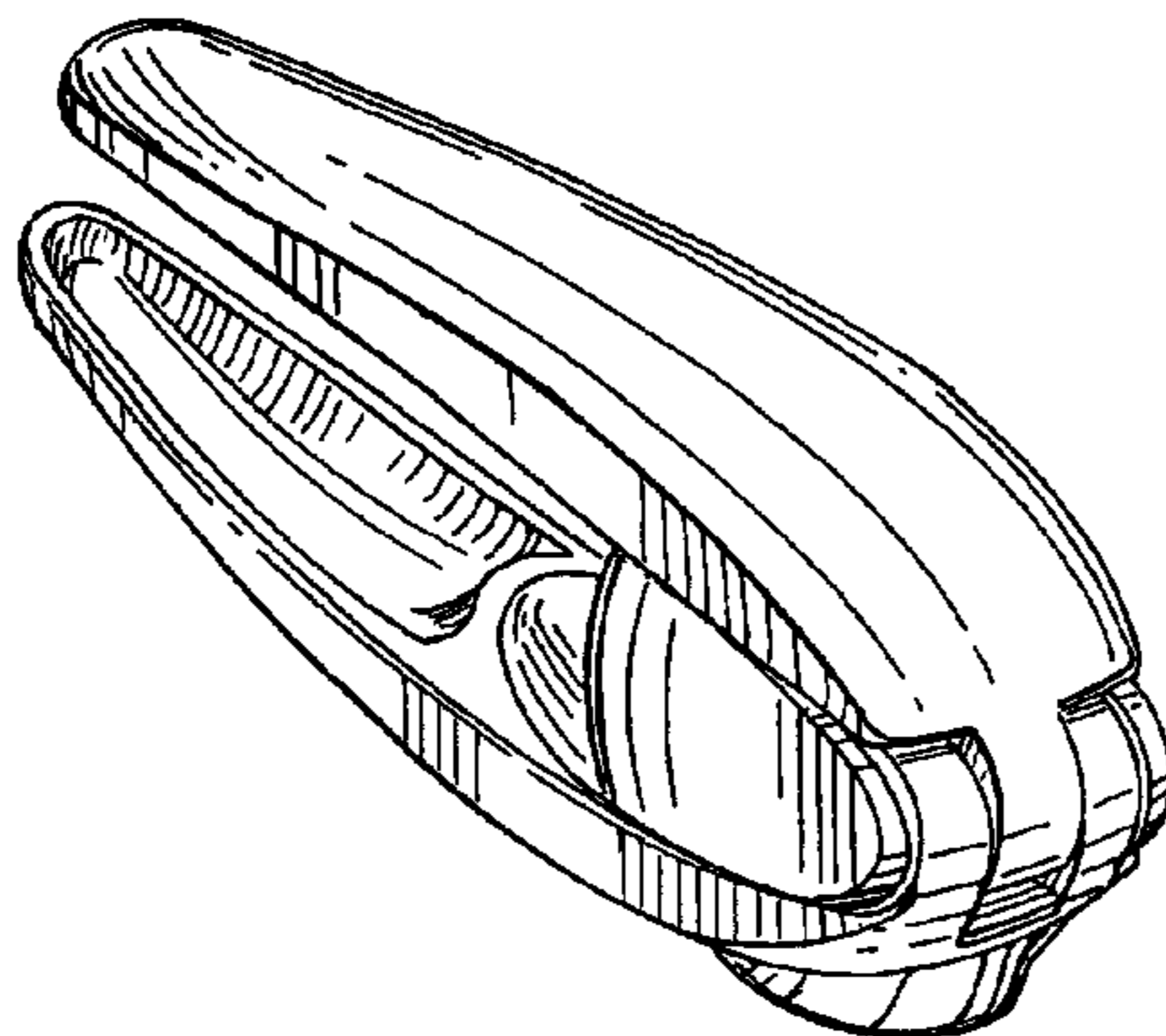


FIG. 1

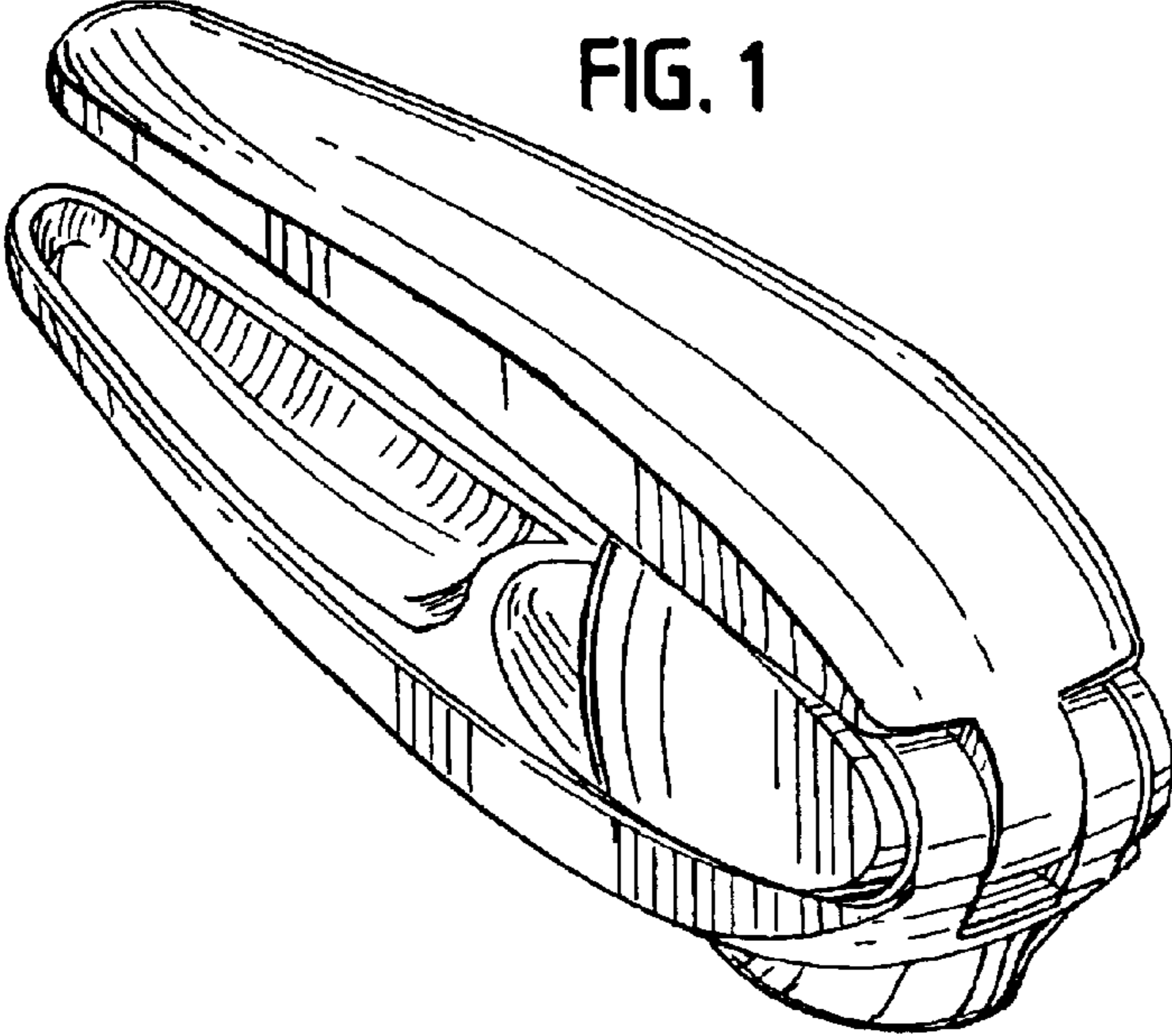


FIG. 2

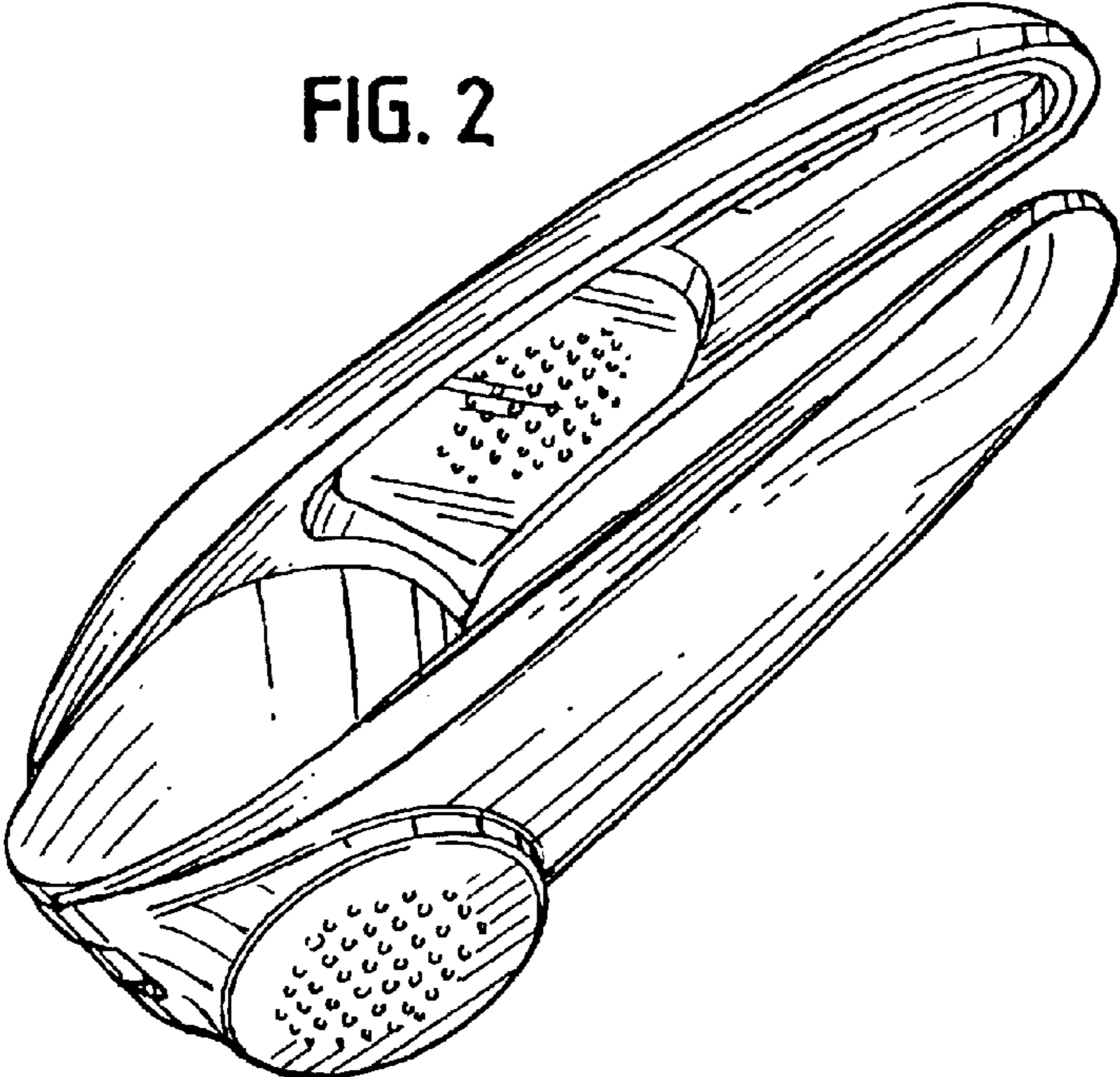


FIG. 3

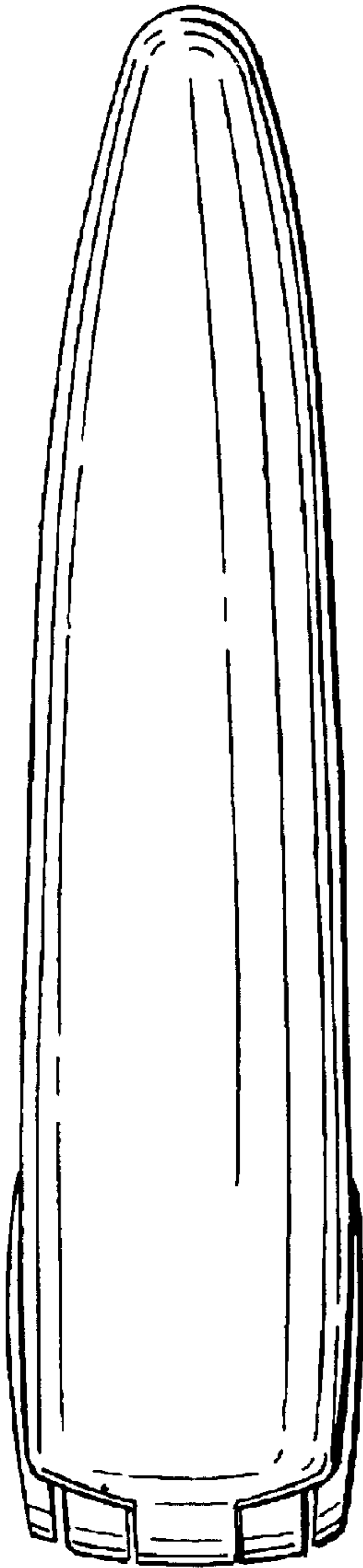


FIG. 5

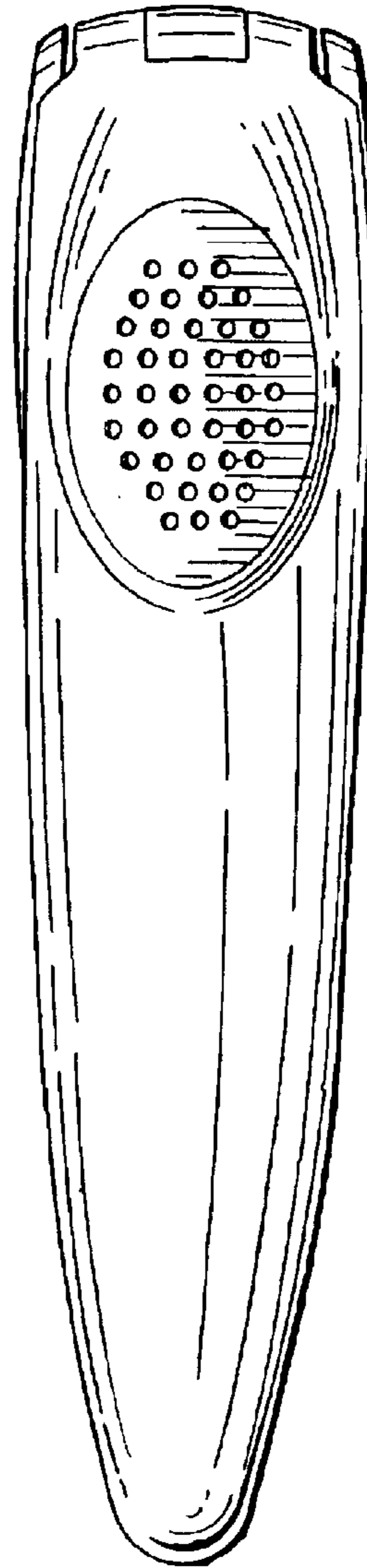


FIG. 4

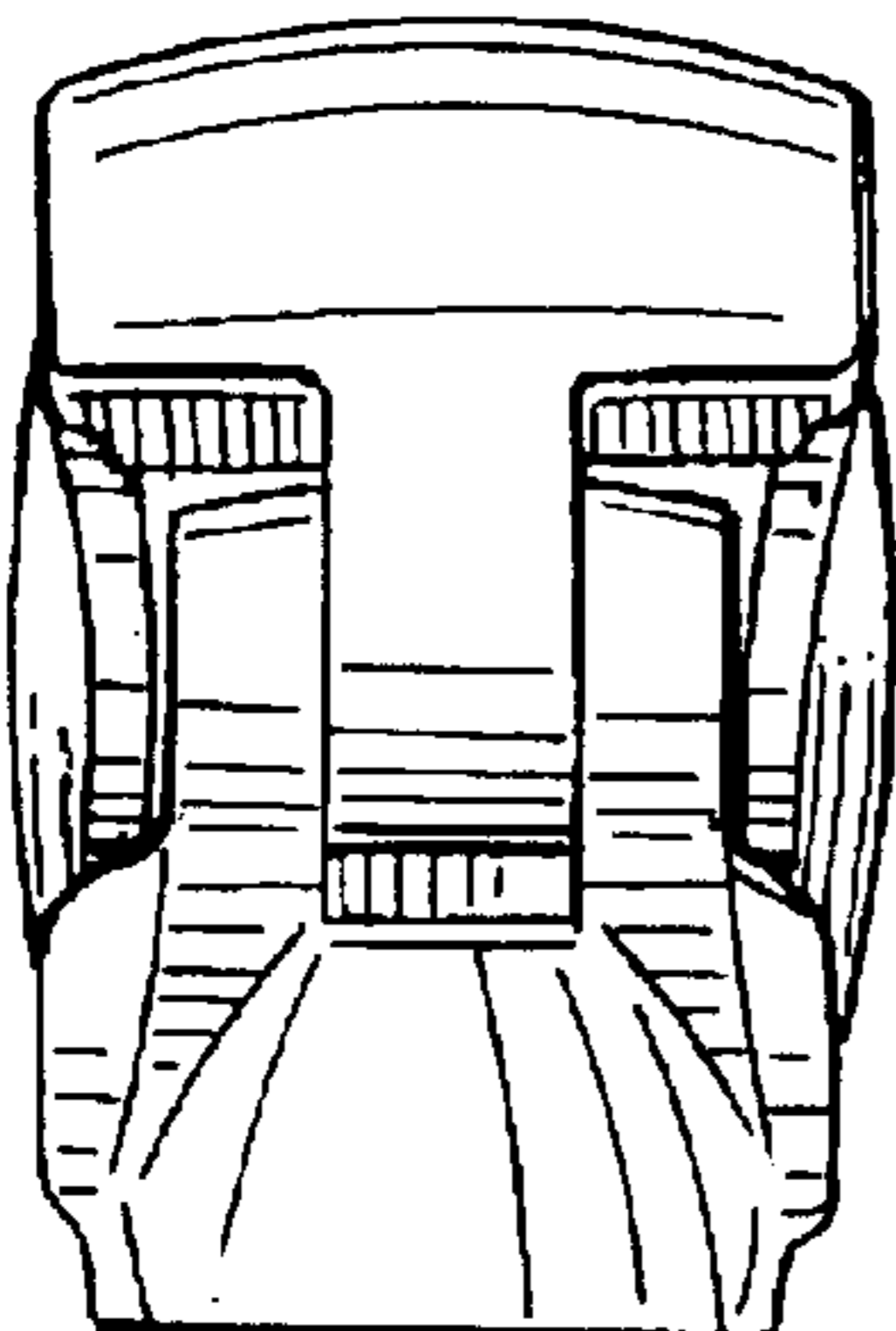


FIG. 6

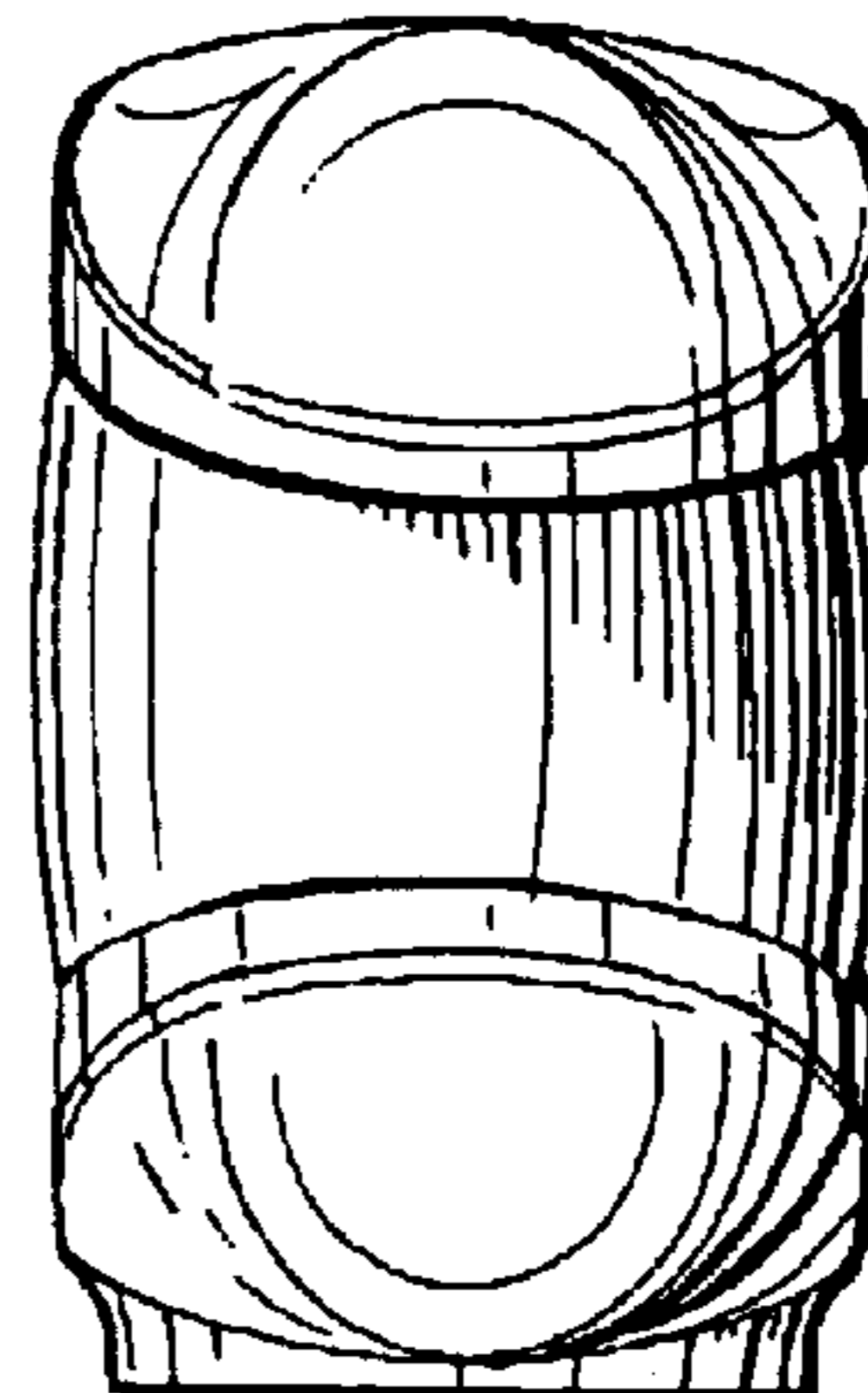


FIG. 7

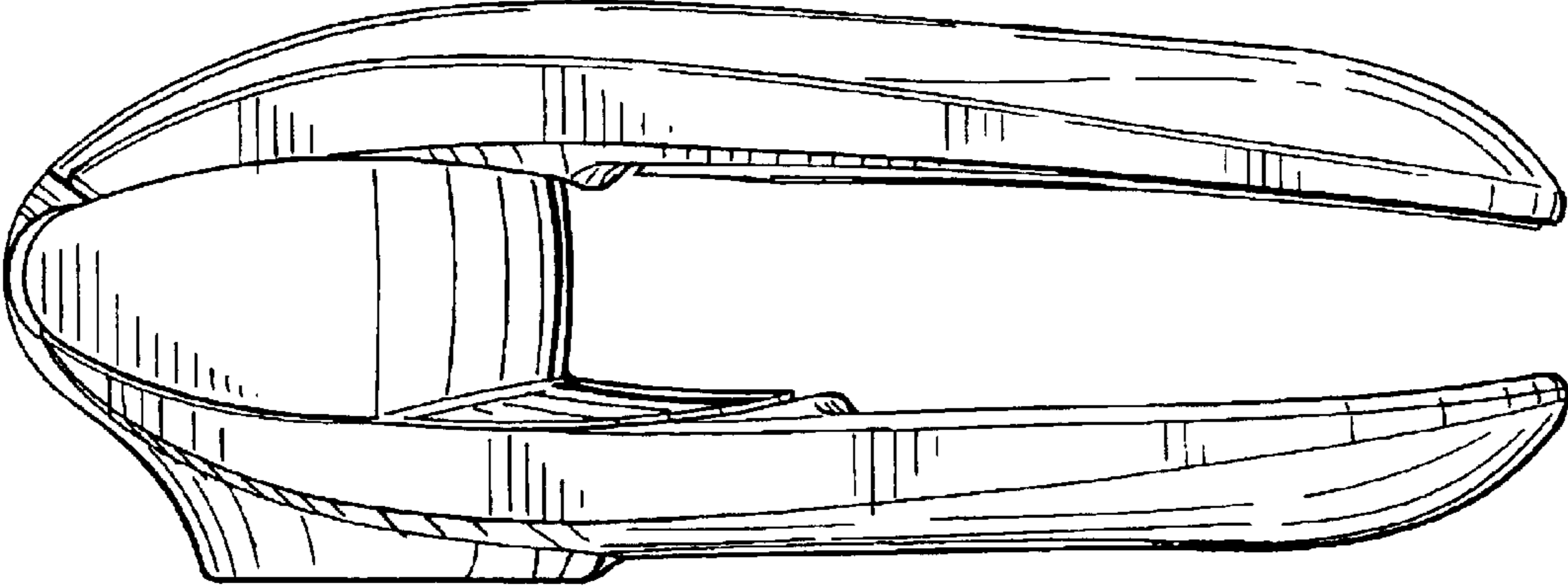


FIG. 8

