

US00D491762S1

(12) **United States Design Patent** (10) **Patent No.:** **US D491,762 S**  
**Hiramatsu** (45) **Date of Patent:** **\*\* Jun. 22, 2004**

(54) **RECORDING MEDIUM CONTAINER**

D453,081 S \* 1/2002 Yu ..... D6/407  
6,334,268 B1 \* 1/2002 Ikebe et al. .... 36/310

(75) Inventor: **Susumu Hiramatsu**, Matumoto (JP)

**FOREIGN PATENT DOCUMENTS**

(73) Assignee: **Tenma Corporation**, Tokyo (JP)

GB 2291640 1/1996  
WO WO 97/41563 11/1997

(\*\*) Term: **14 Years**

**OTHER PUBLICATIONS**

(21) Appl. No.: **29/140,409**

Patent Application Publication US 20010040108 A1—Nov. 15, 2001.\*

(22) Filed: **Apr. 19, 2001**

Patent Application Publication US 20010021167 A1—Sep. 13, 2001.\*

(30) **Foreign Application Priority Data**

Oct. 19, 2000 (JP) ..... 2000-29706

\* cited by examiner

(51) **LOC (7) Cl.** ..... **06-04**

*Primary Examiner*—Celia Murphy

(52) **U.S. Cl.** ..... **D6/632; D6/407; D6/635**

(74) *Attorney, Agent, or Firm*—Westerman, Hattori, Daniels, & Adrian, LLP

(58) **Field of Search** ..... D3/201, 218, 272,  
D3/273, 276, 905; D6/407, 626–635; D9/337,  
445, 454; D19/26, 27, 32, 65, 75–77, 81;  
D28/77; 206/232, 307.1, 308.1, 308.2, 308.3,  
309–310, 311, 312, 313, 387.11, 387.13,  
387.15; 312/9.57, 902, 9.9, 9.48, 9.55,  
9.64, 9.47, 9.53, 328; 379/355

(57) **CLAIM**

The ornamental design for a recording medium container, as shown and described.

(56) **References Cited**

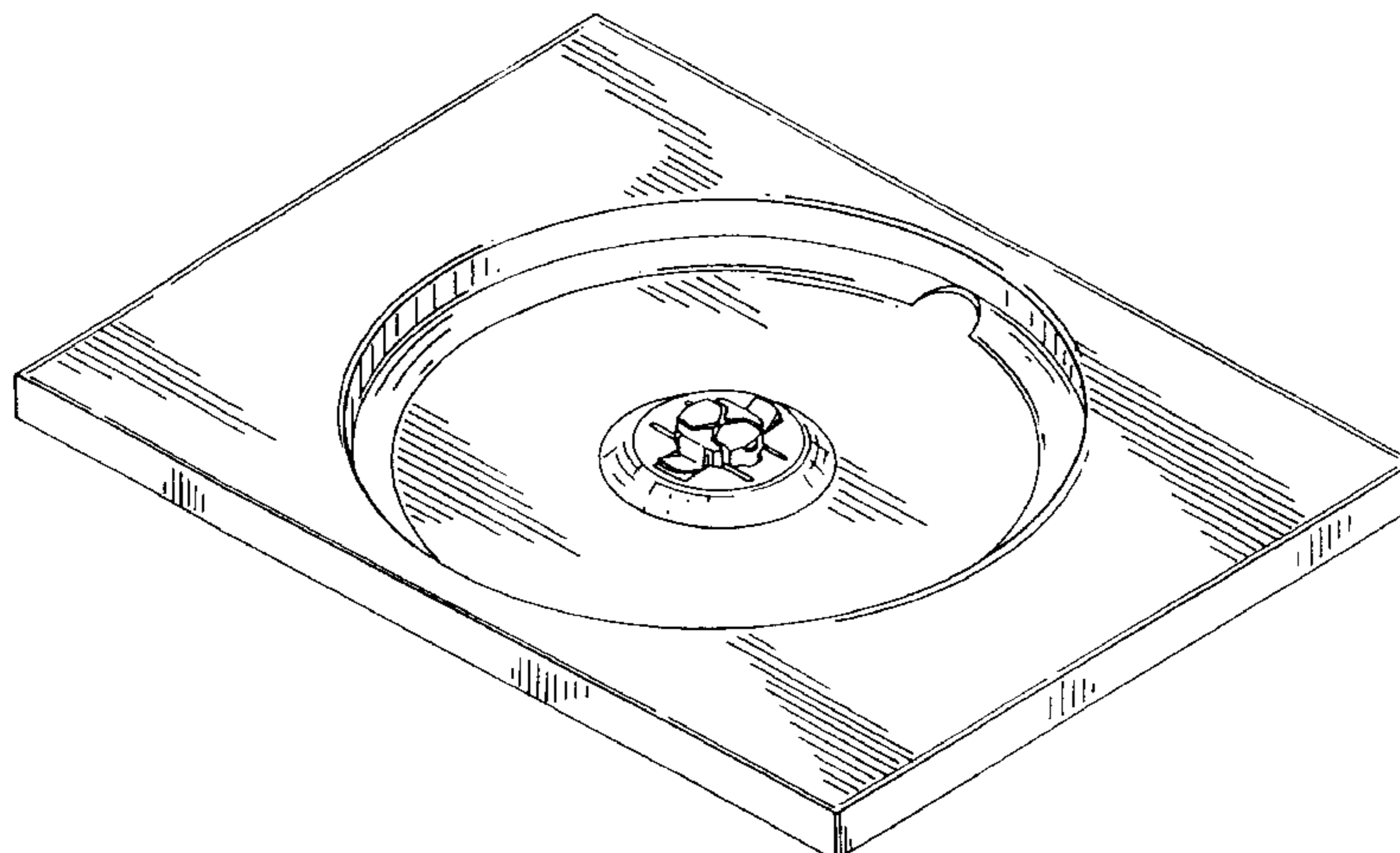
**DESCRIPTION**

**U.S. PATENT DOCUMENTS**

5,251,750 A 10/1993 Gelardi et al.  
5,526,926 A 6/1996 Deja  
5,651,458 A \* 7/1997 Brosmith et al. .... 206/308.1  
5,727,680 A \* 3/1998 Liu ..... 206/308.1  
5,788,068 A \* 8/1998 Fraser et al. .... 206/310  
5,829,582 A \* 11/1998 Ippolito et al. .... 206/308.1  
5,950,822 A \* 9/1999 Cloran et al. .... 206/310  
5,960,949 A \* 10/1999 Wynalda, Jr. .... 206/307.1  
5,988,375 A \* 11/1999 Chang ..... 206/308.1  
D420,240 S \* 2/2000 Sorenson et al. .... D6/632  
D421,057 S \* 2/2000 Hummell et al. .... D19/65  
6,085,900 A \* 7/2000 Wong ..... 206/308.1  
6,123,192 A \* 9/2000 Rufo, Jr. .... 206/310  
6,170,656 B1 \* 1/2001 Cerda-  
Vilaplana et al. .... 206/308.1  
D439,435 S \* 3/2001 Belden, Jr. et al. .... D6/407  
6,250,461 B1 \* 6/2001 Hu ..... 206/310  
6,311,835 B1 \* 11/2001 Okuhara et al. .... 206/308.1  
D452,793 S \* 1/2002 Lee ..... D6/632

FIG. 1 is a front view of the recording medium container showing my new design;  
FIG. 2 is a rear view thereof;  
FIG. 3 is a right side view thereof (the left side view is the same as the right side view);  
FIG. 4 is a bottom view thereof; (the top view is the same as the bottom view);  
FIG. 5 is a cross-sectional view taken in the line 5—5 of FIG. 1;  
FIG. 6 is a cross-sectional view taken in the line 6—6 of FIG. 1;  
FIG. 7 is an enlarged view taken in the lines 7—7 and 7'—7' of FIG. 5;  
FIG. 8 is an enlarged view taken in the lines 8—8 and 8'—8' of FIG. 6; and,  
FIG. 9 is a perspective view thereof.  
The broken lines in FIG. 2 define the boundaries of the claimed design. The broken lines and the area within, form no part of the claim.

**1 Claim, 6 Drawing Sheets**



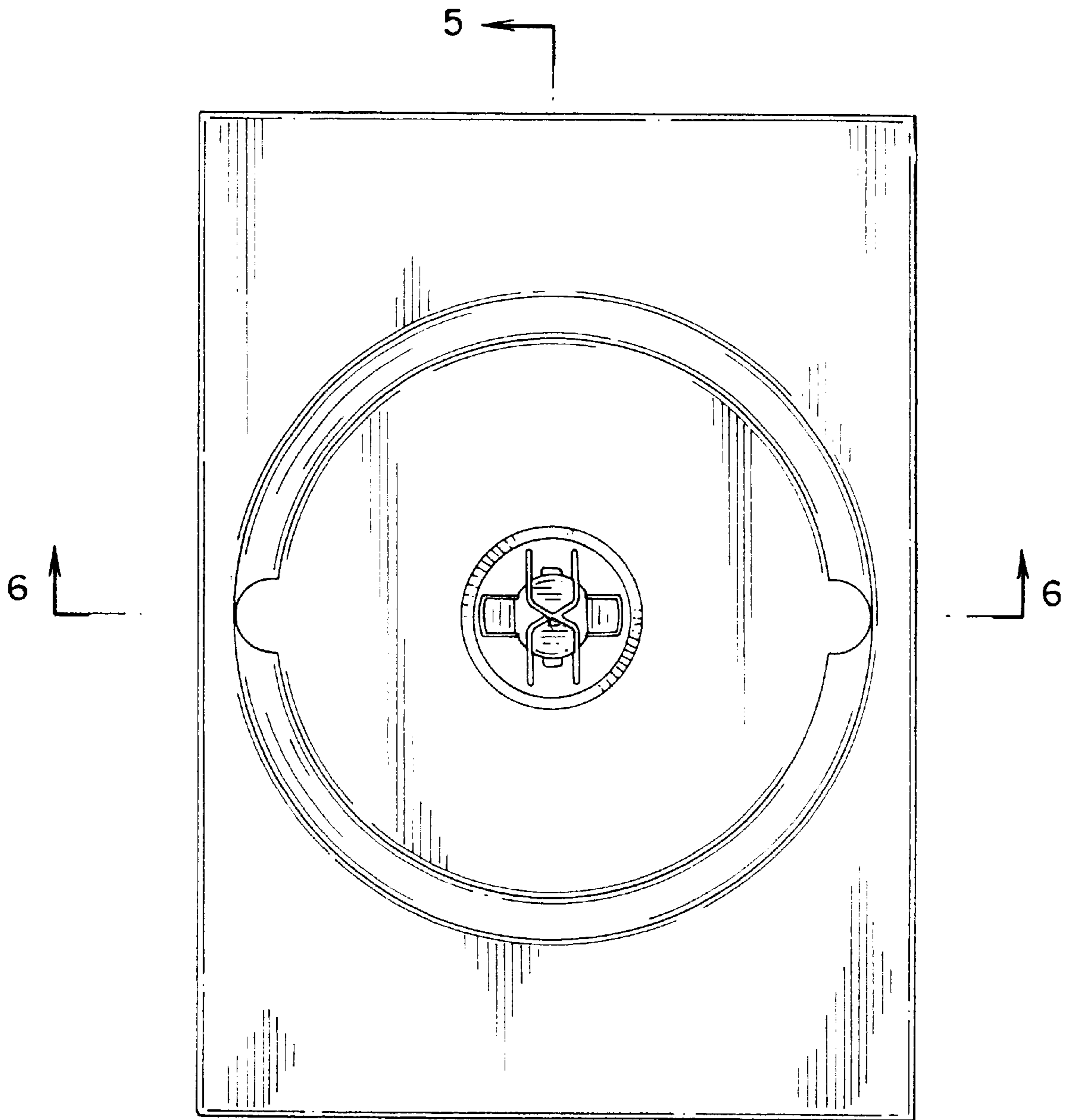


Fig. 1

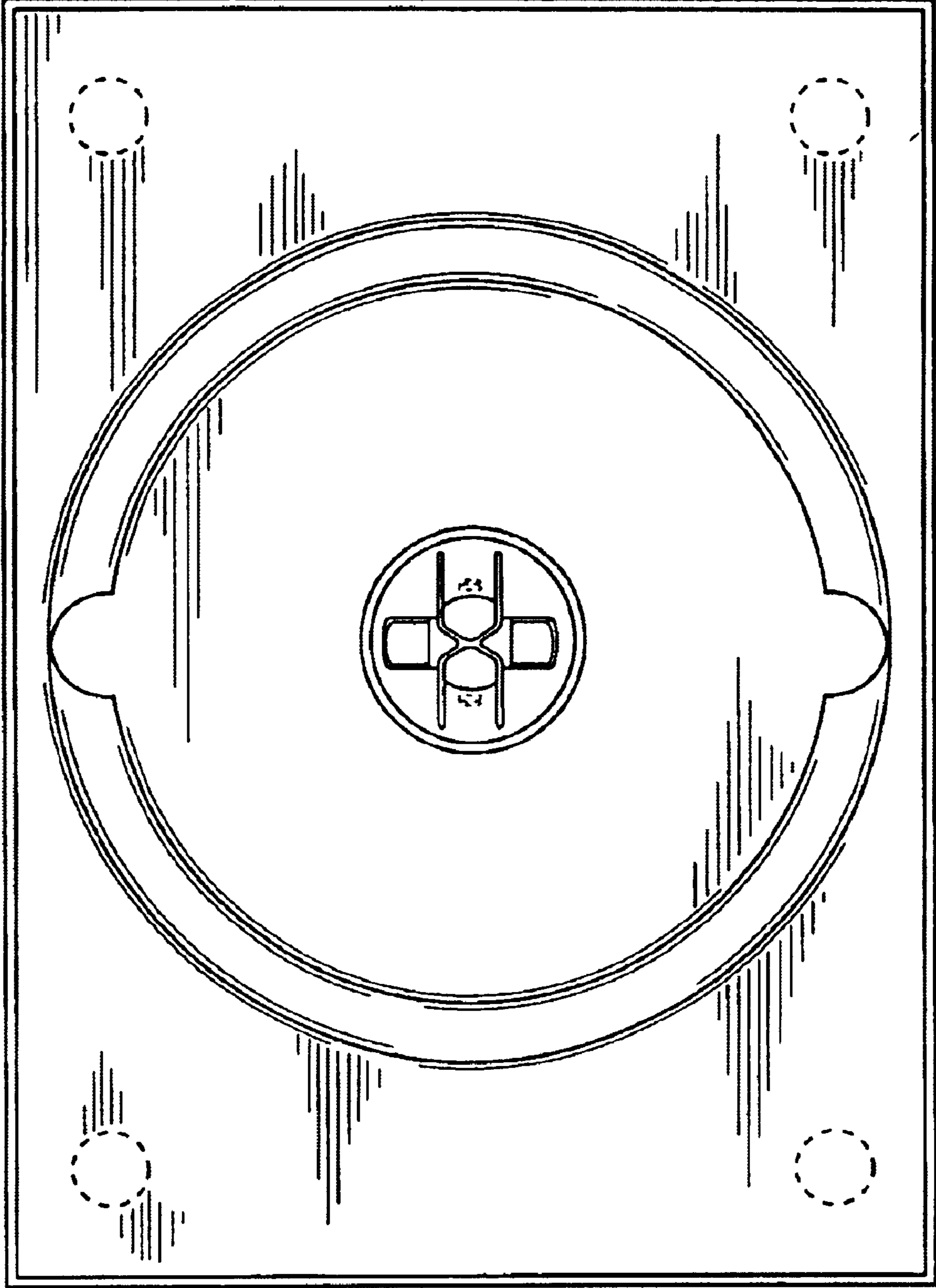


Fig.2

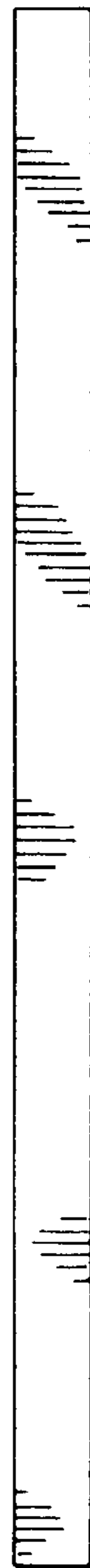


Fig. 3

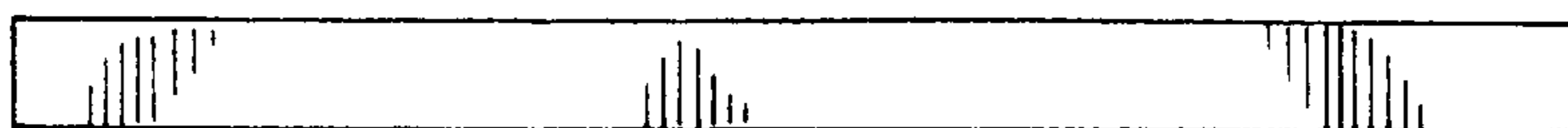


Fig. 4

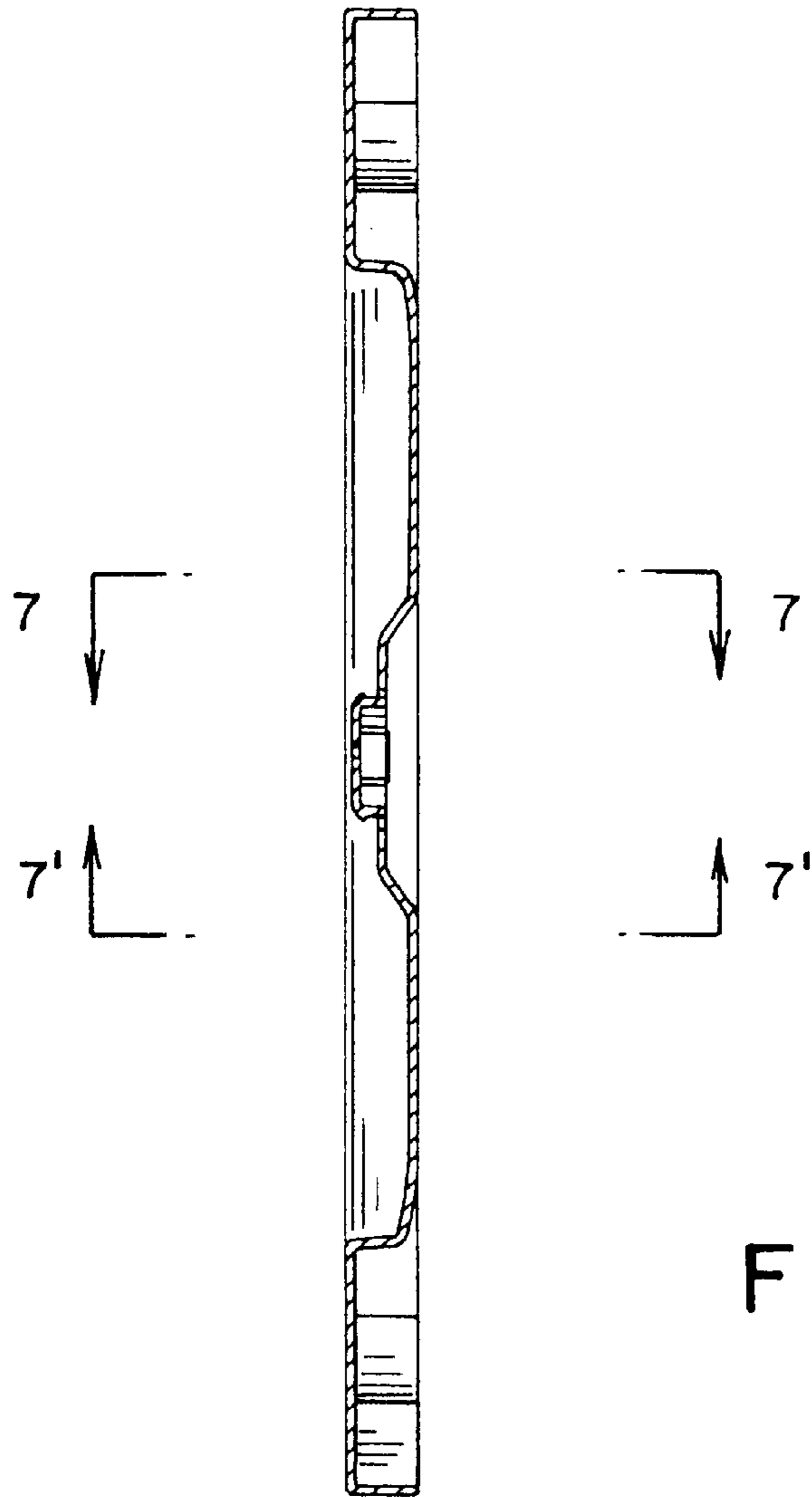


Fig. 5

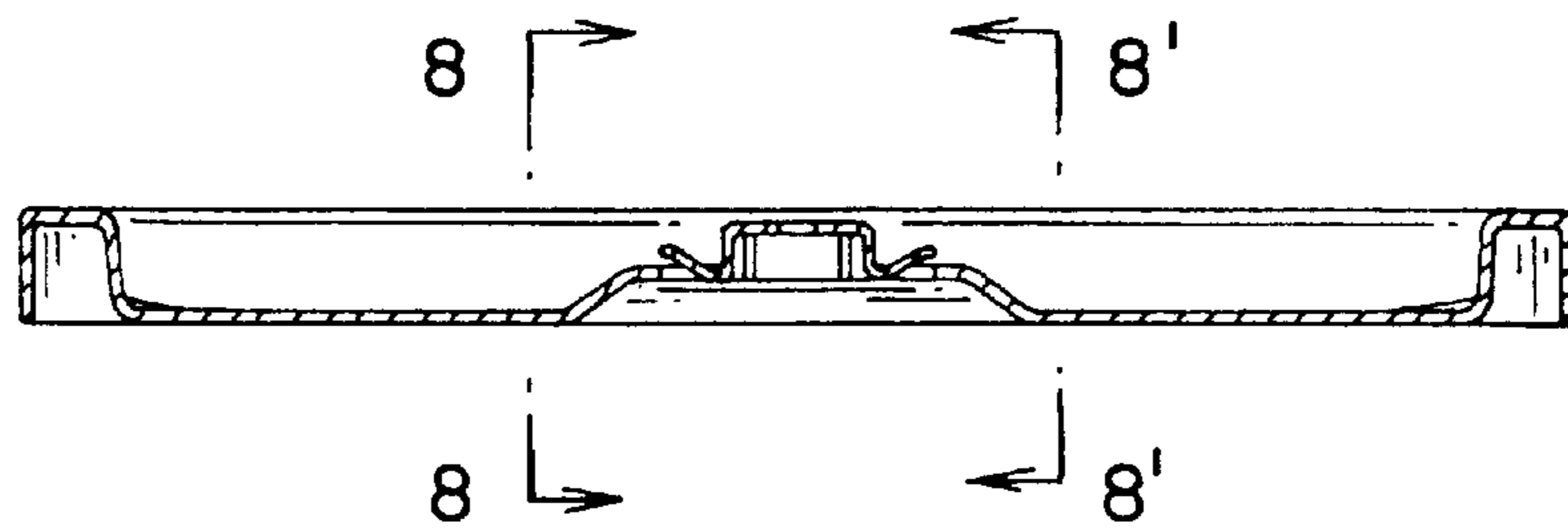


Fig. 6

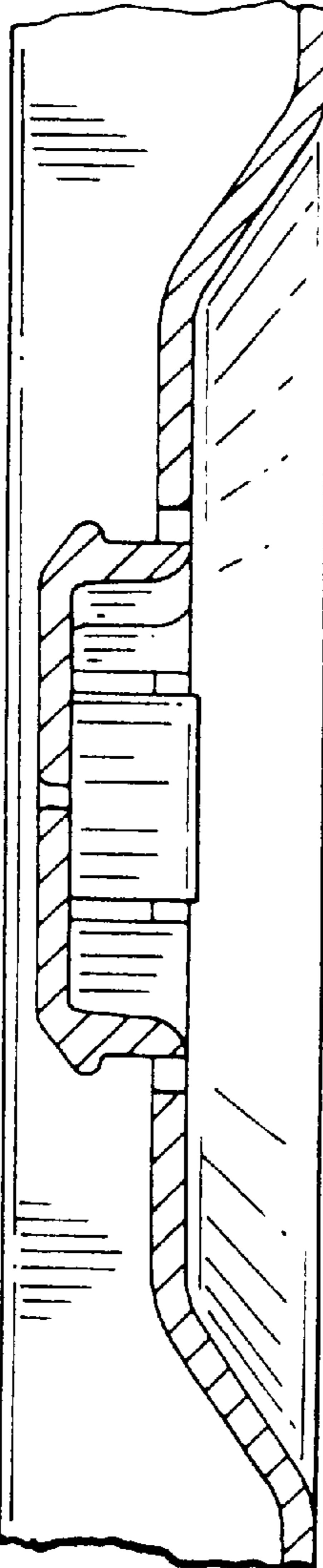


Fig. 7

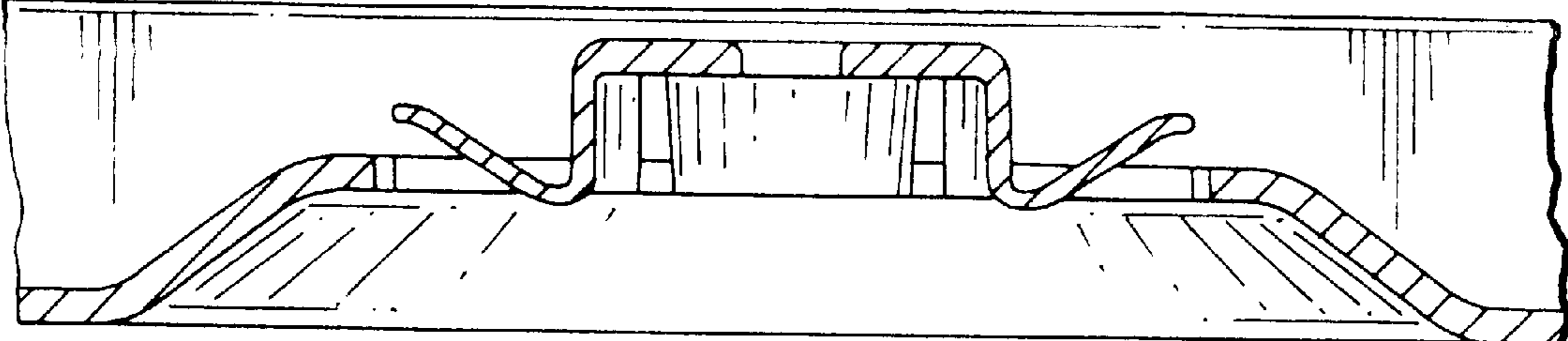
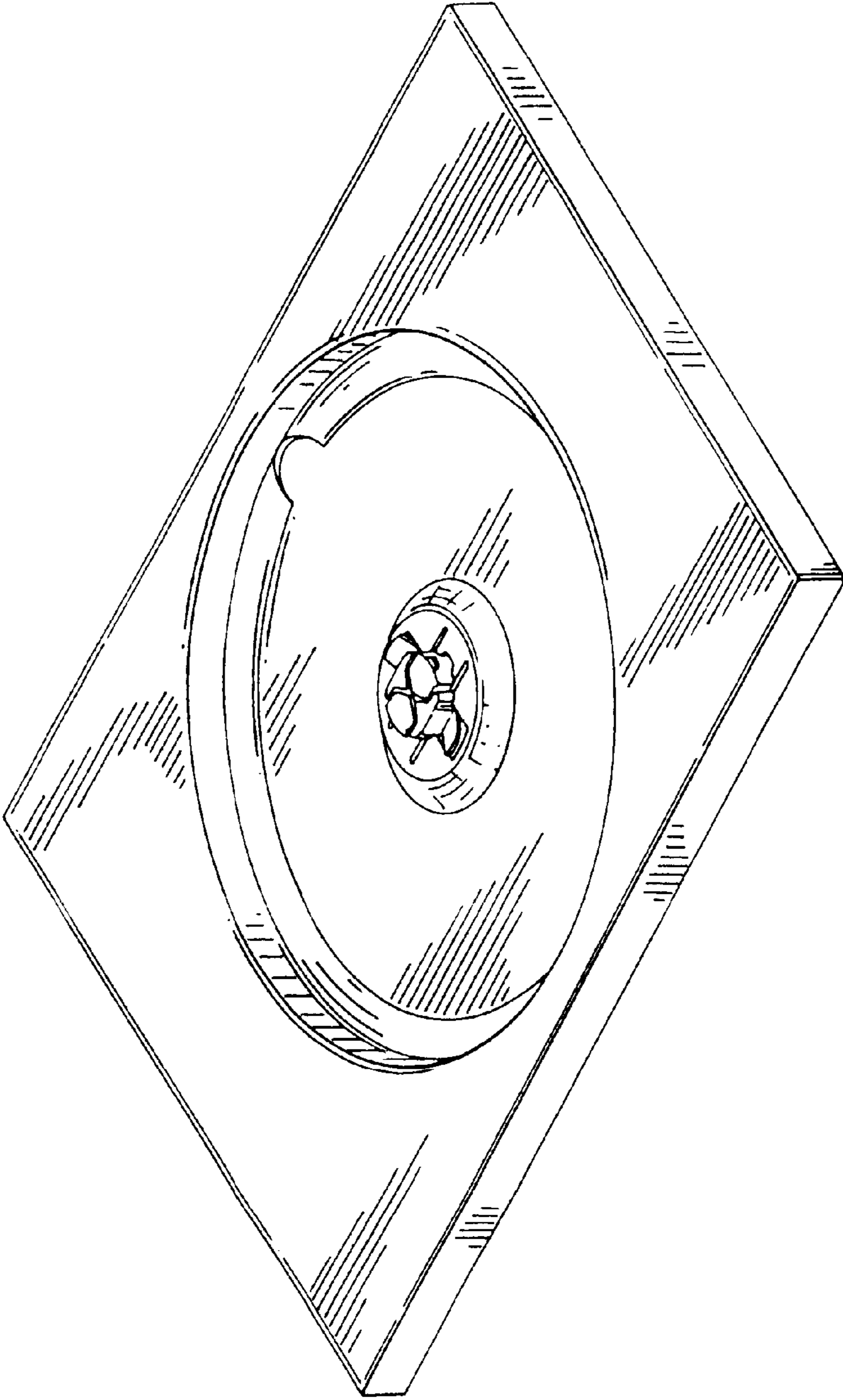


Fig. 8

Fig. 9



UNITED STATES PATENT AND TRADEMARK OFFICE  
**CERTIFICATE OF CORRECTION**

PATENT NO. : Des. 491,762 S  
DATED : June 22, 2004  
INVENTOR(S) : Hiramatsu

Page 1 of 1

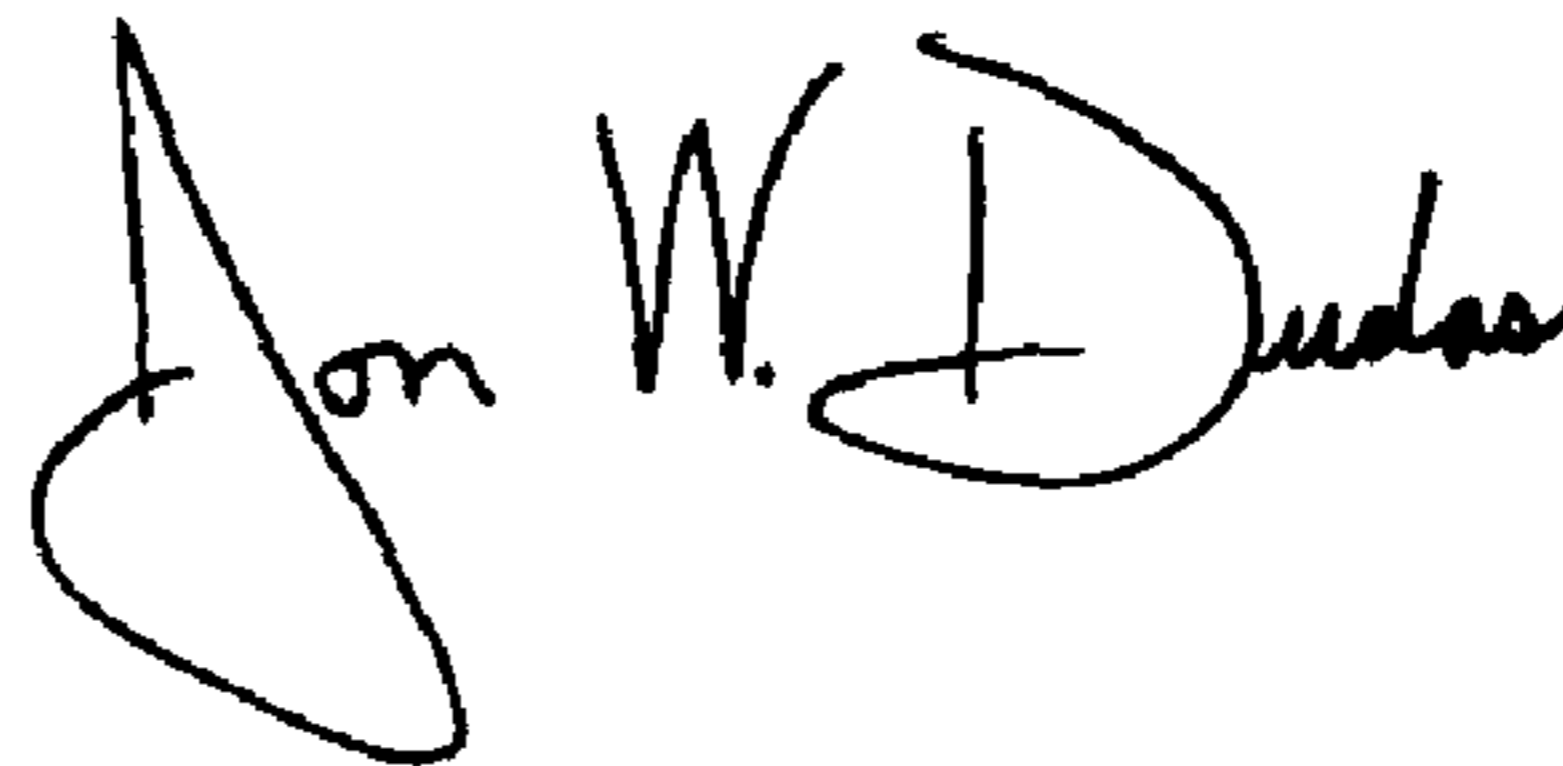
It is certified that error appears in the above-identified patent and that said Letters Patent is hereby corrected as shown below:

Title page,

Item [73], Assignee, should read -- **Tenma Corporation, Tokyo(JP); Kinyosha Printing Co., Ltd., Tokyo (JP)** --

Signed and Sealed this

Sixteenth Day of November, 2004

A handwritten signature in black ink that reads "Jon W. Dudas". The signature is written in a cursive style with a large, looped initial "J".

JON W. DUDAS

*Director of the United States Patent and Trademark Office*