

US00D491755S1

(12) **United States Design Patent**  
**Bosman**

(10) **Patent No.:** **US D491,755 S**  
(45) **Date of Patent:** **\*\* Jun. 22, 2004**

- (54) **DUAL CARREL**
- (75) **Inventor:** **Scott A. Bosman**, Green Bay, WI (US)
- (73) **Assignee:** **Krueger International, Inc.**, Green Bay, WI (US)
- (\*\*) **Term:** **14 Years**
- (21) **Appl. No.:** **29/186,897**
- (22) **Filed:** **Jul. 24, 2003**

- D359,633 S 6/1995 Bubb
- D376,056 S 12/1996 Kelly
- D480,232 S \* 10/2003 Bosman ..... D6/421

**OTHER PUBLICATIONS**

“Tempus Collection” Library Furniture, General Specifications, The Worden Company, 9 pages, undated.

\* cited by examiner

*Primary Examiner*—Janice Seeger

(74) *Attorney, Agent, or Firm*—Boyle, Fredrickson, Newholm, Stein & Gratz, S.C.

**Related U.S. Application Data**

- (62) Division of application No. 29/162,062, filed on Jun. 7, 2002, now Pat. No. Des. 480,232.
- (51) **LOC (7) Cl.** ..... **06-06**
- (52) **U.S. Cl.** ..... **D6/492**
- (58) **Field of Search** ..... D6/480–489, 421, D6/422; 108/153.1, 155, 156, 157.1, 161

(57) **CLAIM**

The ornamental design of a dual carrel, as shown and described.

**DESCRIPTION**

FIG. 1 is an isometric view of a double or back-to-back computer carrel incorporating my new design;  
 FIG. 2 is a front elevation view thereof;  
 FIG. 3 is a side elevation view thereof, which is representative of both sides;  
 FIG. 4 is a top plan view thereof; and,  
 FIG. 5 is a bottom plan view thereof.  
 The broken lines are for environmental purposes only and form no part of the claimed design.

(56) **References Cited**

**U.S. PATENT DOCUMENTS**

- D283,958 S 5/1986 Payne, Jr.
- D341,043 S 11/1993 Pessa
- D341,271 S 11/1993 Pessa
- D341,272 S 11/1993 Pessa
- D343,536 S 1/1994 Pessa
- D345,657 S 4/1994 Pessa

**1 Claim, 3 Drawing Sheets**

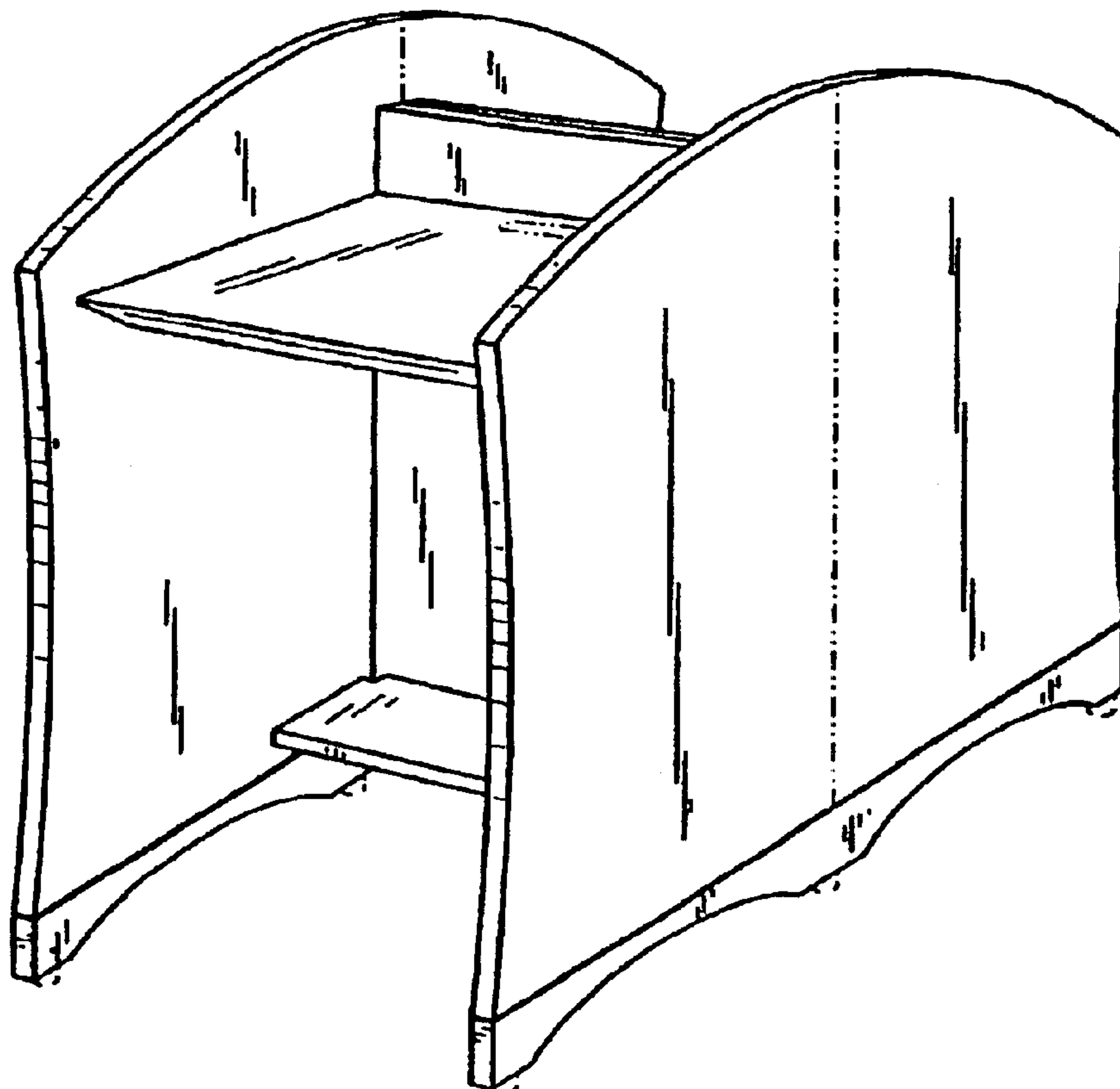


FIG. 1

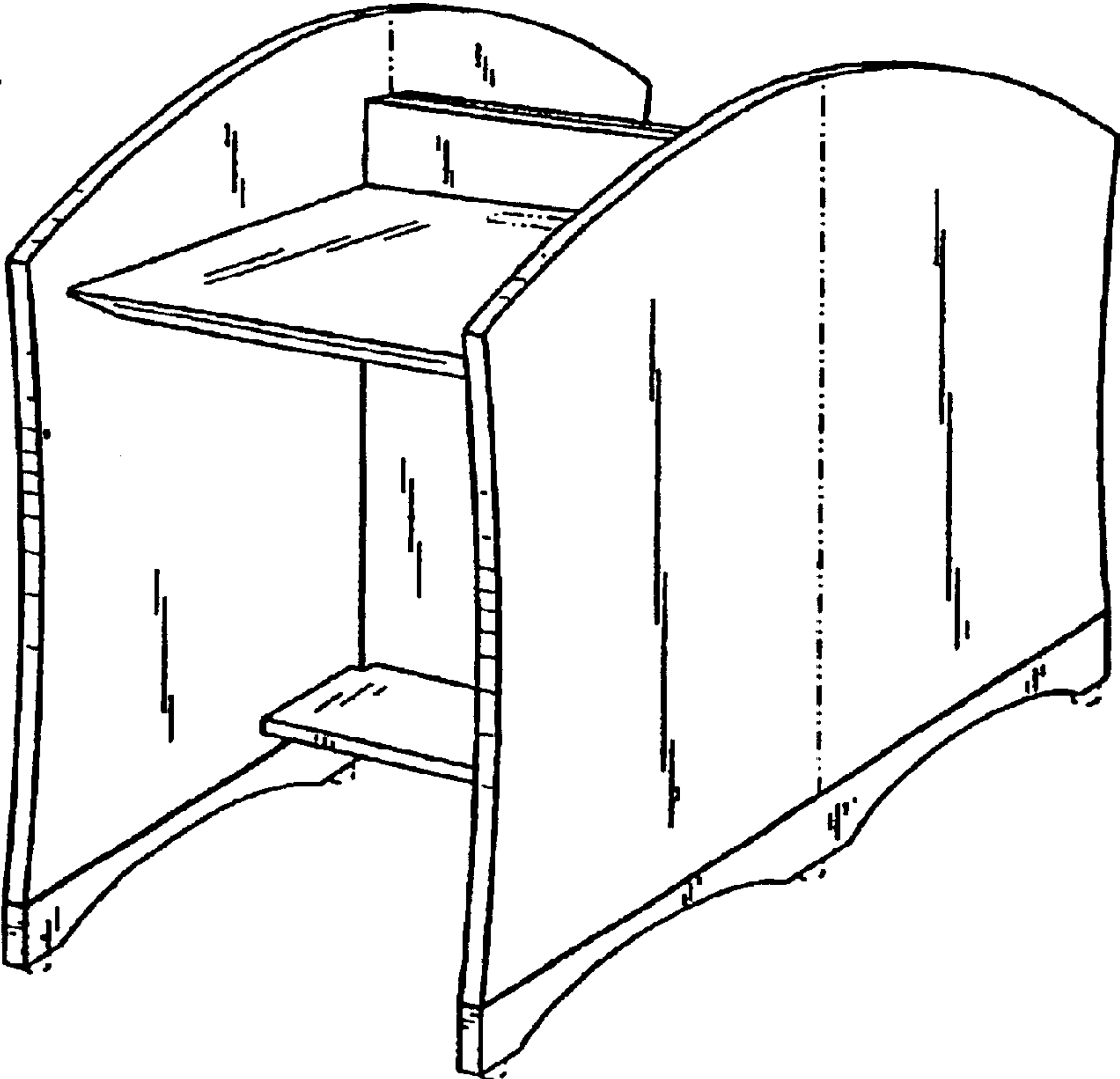


FIG. 3

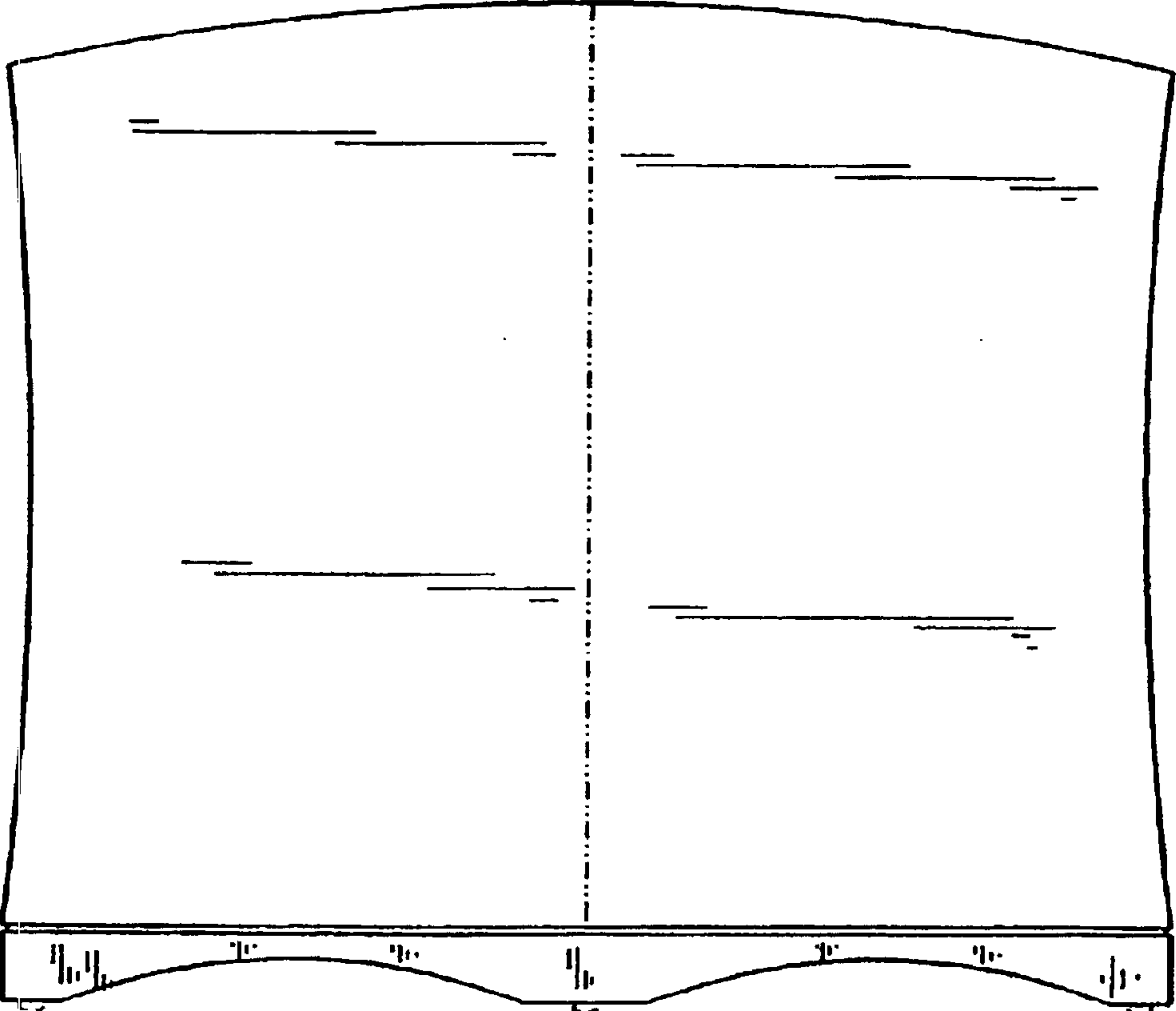


FIG. 2

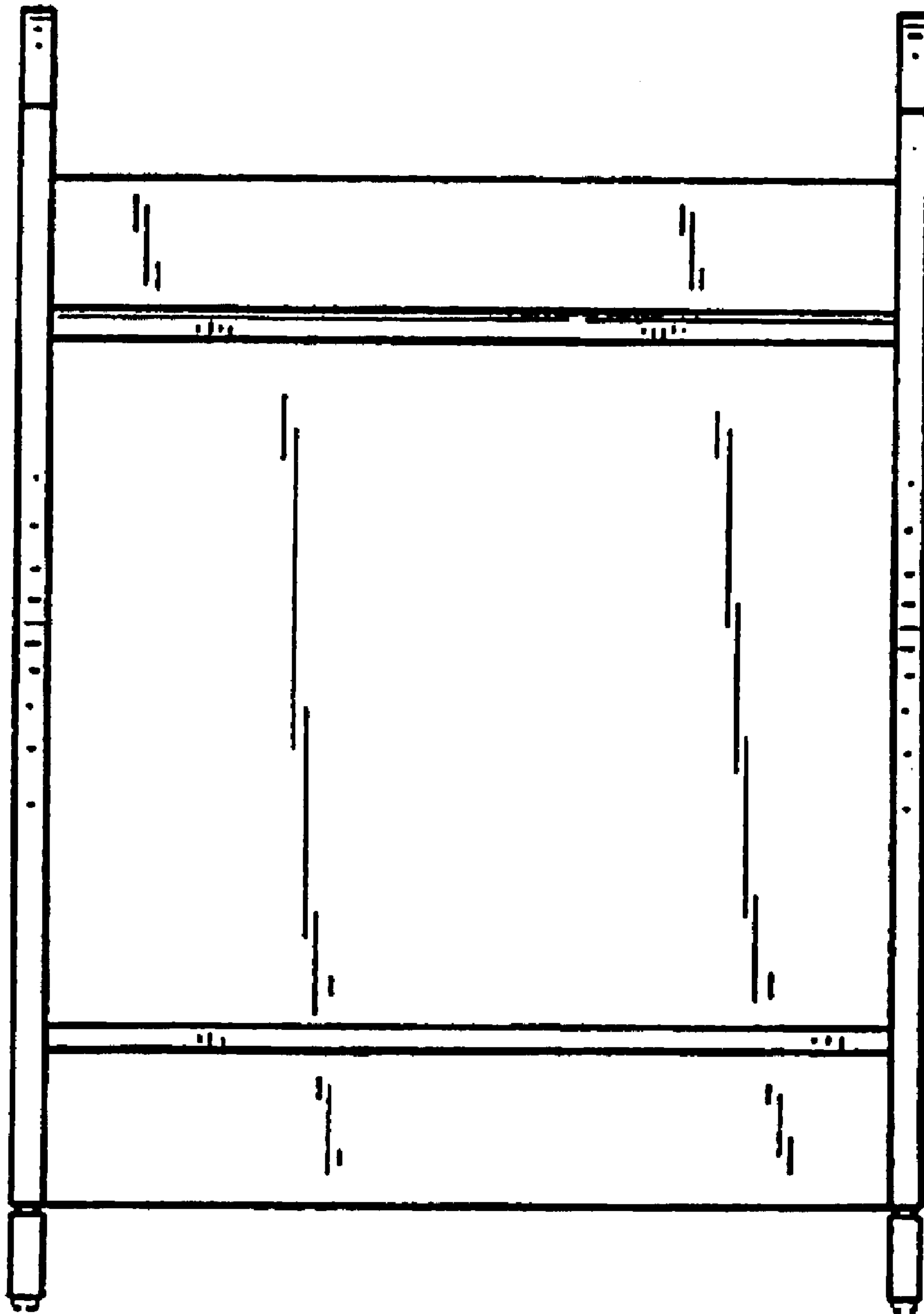


FIG. 5

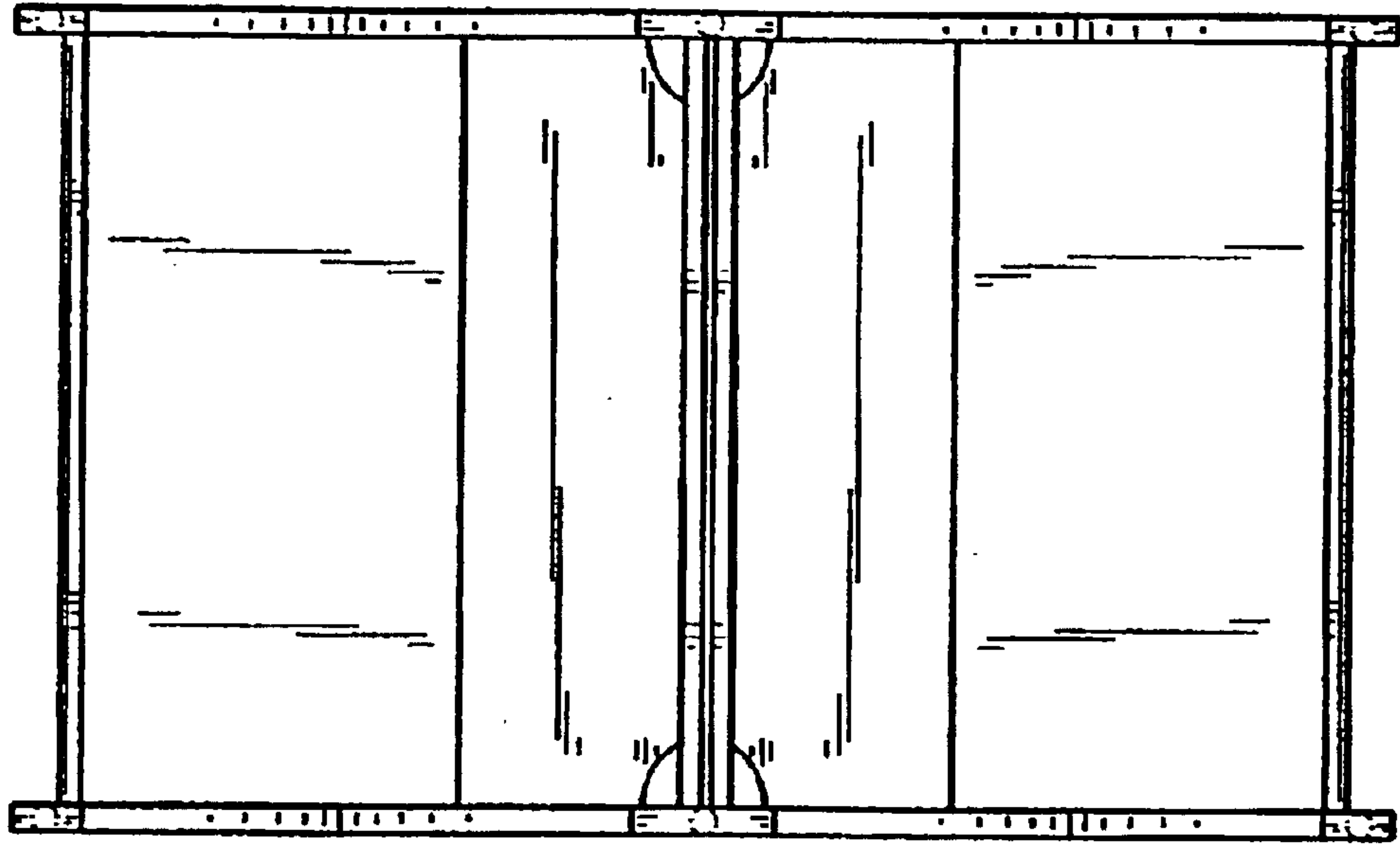


FIG. 4

