

US00D491751S1

(12) **United States Design Patent**
Harwanko

(10) **Patent No.:** **US D491,751 S**
(45) **Date of Patent:** **** Jun. 22, 2004**

(54) **WALL SHELF**

D436,777 S * 1/2001 Walker D6/548
D456,640 S * 5/2002 Harwanko D6/479

(75) Inventor: **Jeffrey Harwanko**, Wilmington, DE
(US)

* cited by examiner

(73) Assignee: **Zenith Products Corp.**, New Castle,
DE (US)

Primary Examiner—Cathron Brooks
(74) *Attorney, Agent, or Firm*—Edgar A. Zarins; Lloyd D.
Doigan

(**) Term: **14 Years**

(57) **CLAIM**

(21) Appl. No.: **29/183,371**

The ornamental design for a wall shelf, as shown and
described.

(22) Filed: **Jun. 11, 2003**

(51) **LOC (7) Cl.** **06-04**

(52) **U.S. Cl.** **D6/479**

(58) **Field of Search** D6/464, 474-476,
D6/477-479, 548; 108/59, 60, 91, 92, 147.11,
149; 211/153, 186, 188, 194; 312/7.2, 9.1,
223.1

DESCRIPTION

FIG. 1 is a perspective view of a wall shelf showing my new
design;

FIG. 2 is a top plan view thereof;

FIG. 3 is a front elevational view thereof; and,

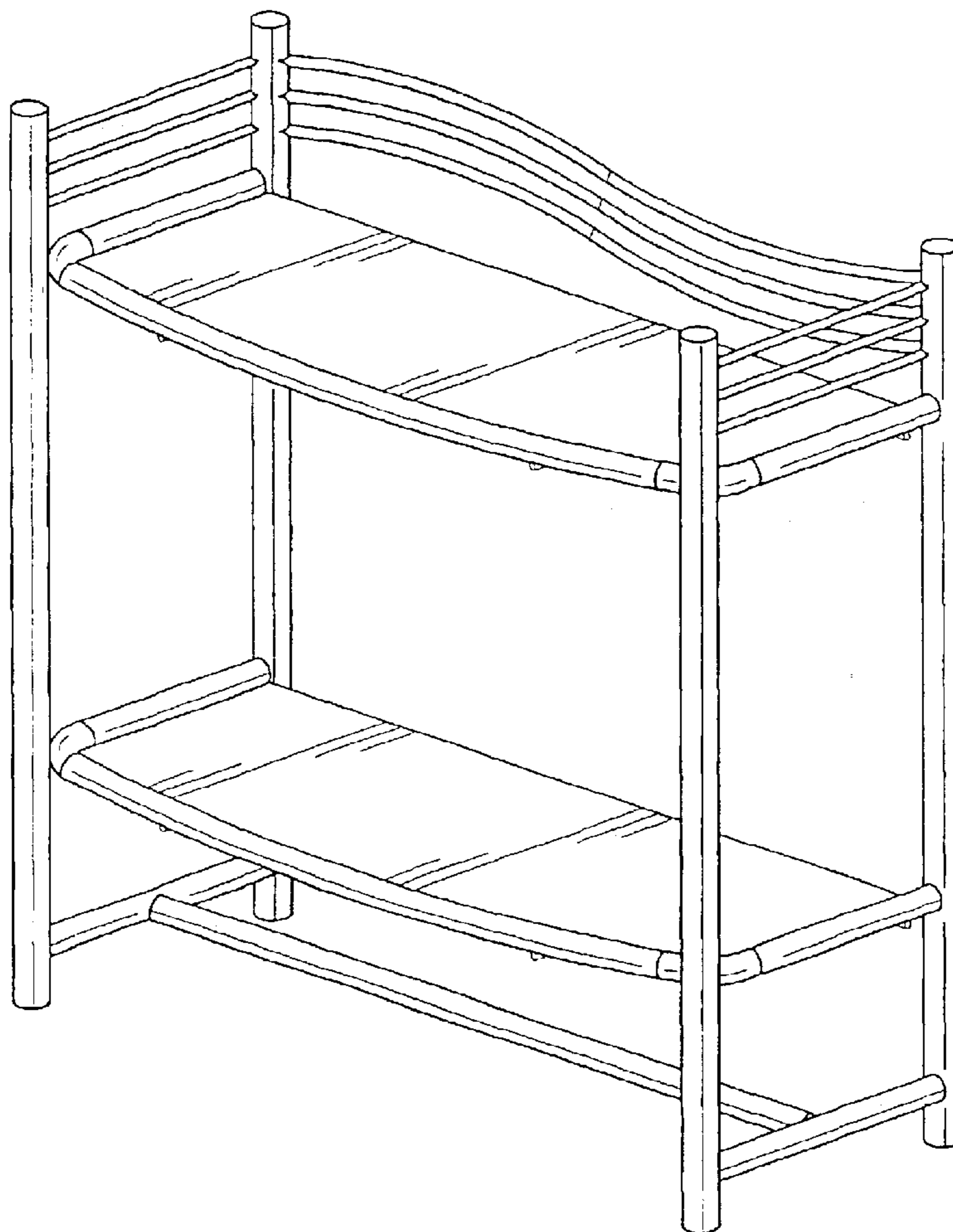
FIG. 4 is a left side view thereof, the opposite side being a
mirror image of the side shown.

(56) **References Cited**

U.S. PATENT DOCUMENTS

D247,537 S * 3/1978 Kola D6/405

1 Claim, 3 Drawing Sheets



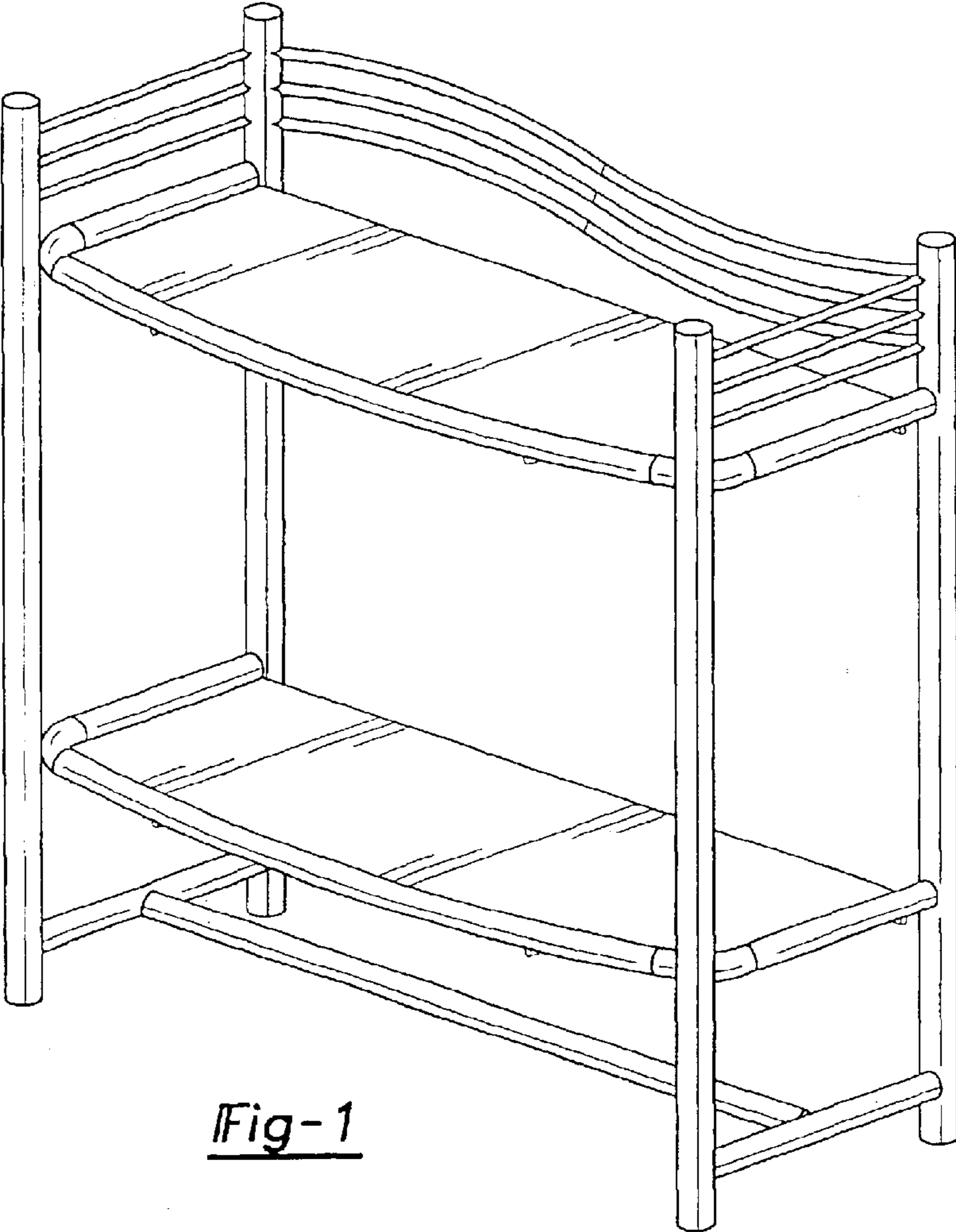


Fig-1

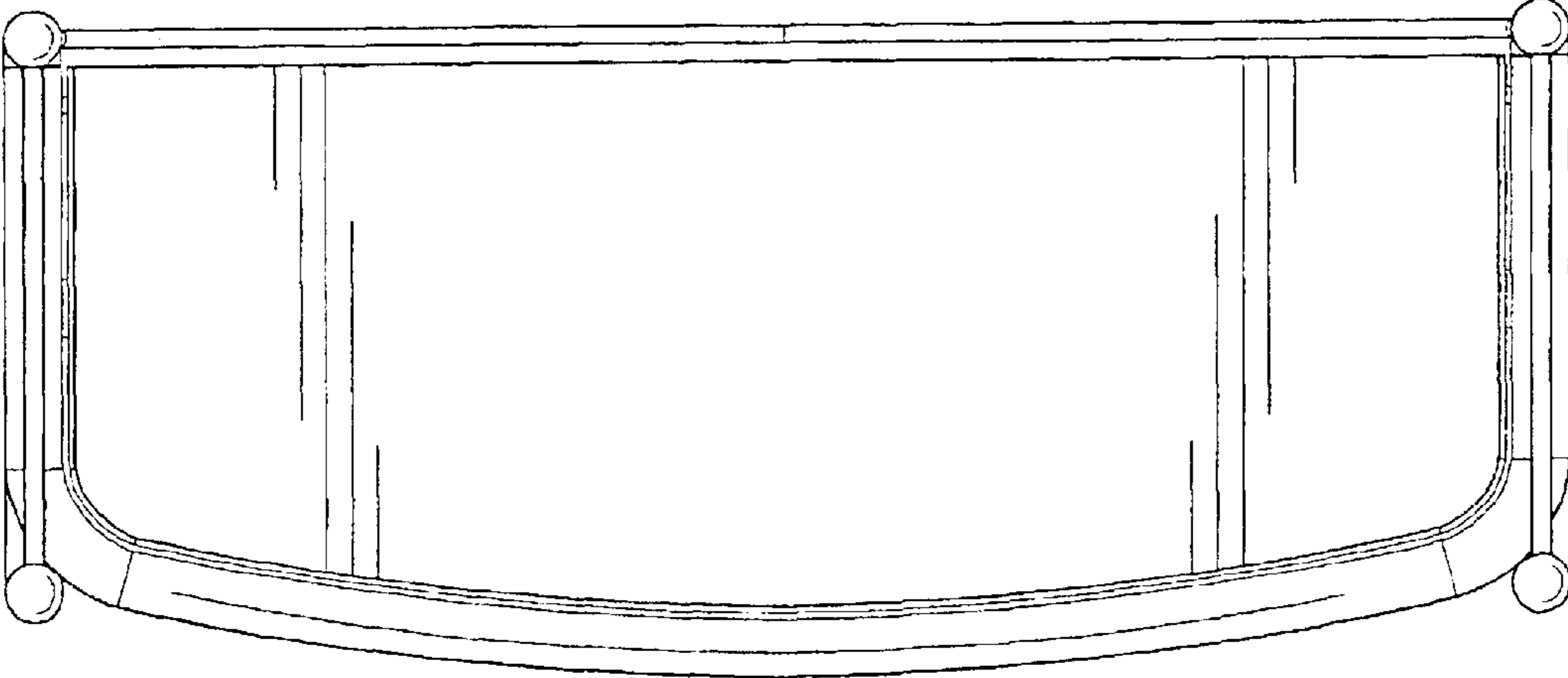


Fig-2

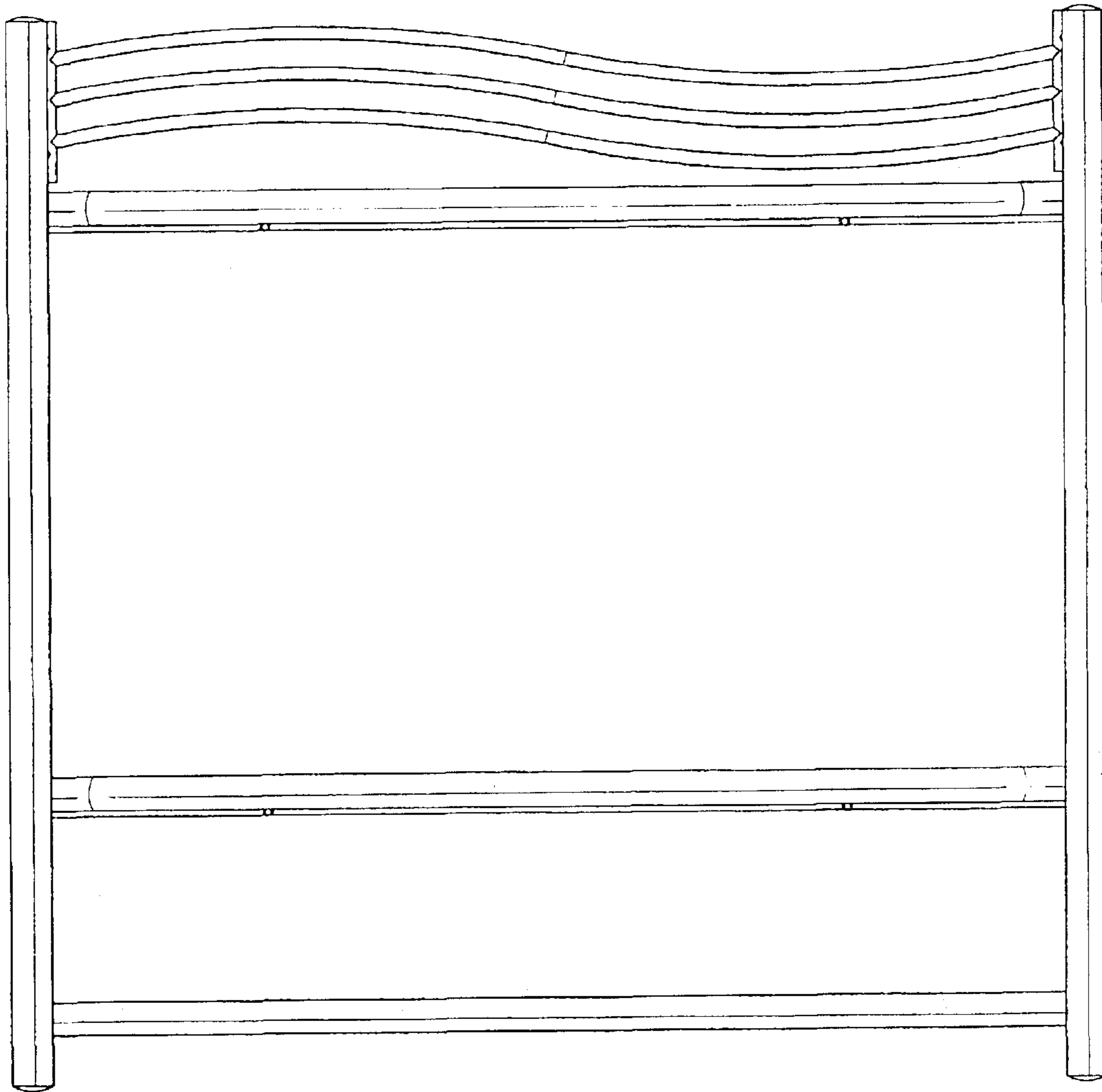


Fig-3

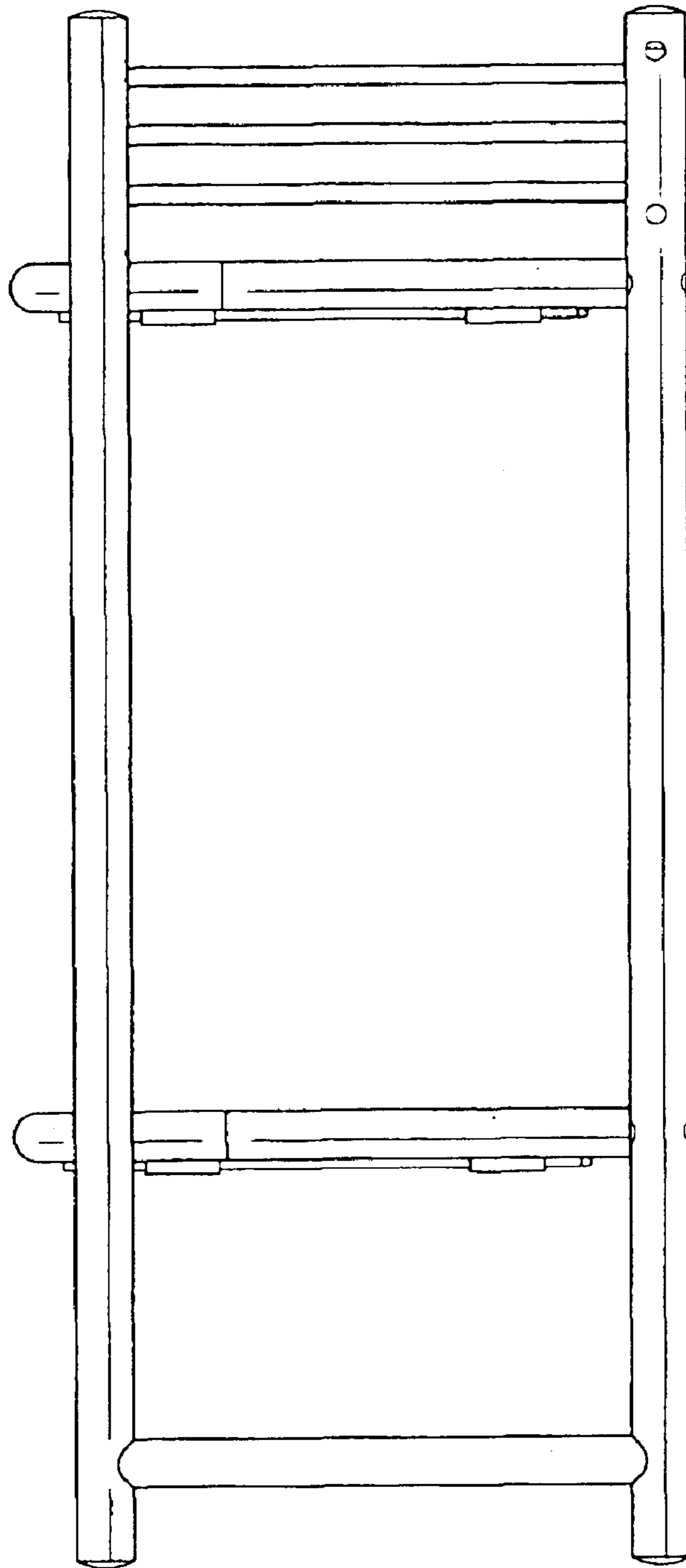


Fig-4