

US00D491749S1

(12) **United States Design Patent**
Malizia

(10) **Patent No.:** **US D491,749 S**
(45) **Date of Patent:** **** Jun. 22, 2004**

- (54) **AUDIO VIDEO SHELVING UNIT**
- (75) **Inventor:** **Mario Malizia**, Castelfidardo (IT)
- (73) **Assignee:** **Bell'O International, L.L.C.**,
Morganville, NJ (US)
- (**) **Term:** **14 Years**
- (21) **Appl. No.:** **29/190,308**
- (22) **Filed:** **Sep. 19, 2003**
- (51) **LOC (7) Cl.** **06-04**
- (52) **U.S. Cl.** **D6/474**
- (58) **Field of Search** D6/477-479, 474;
108/59, 60, 91, 92, 147.11, 149; 211/153,
186, 188, 194; 312/9.1, 7.2, 223.1

- D467,099 S 12/2002 Antonioni
- D472,073 S 3/2003 de Carolis
- D472,074 S 3/2003 de Carolis
- D472,075 S 3/2003 de Carolis

OTHER PUBLICATIONS

Bell'O 2002 International Catalog.

* cited by examiner

Primary Examiner—Cathron Brooks

(74) *Attorney, Agent, or Firm*—Lerner, David, Littenberg,
Krumholz & Mentlik, LLP

(57) **CLAIM**

The ornamental design for audio video shelving unit, as shown and described.

DESCRIPTION

FIG. 1 is a perspective view of a first embodiment of the subject audio video shelving unit;
 FIG. 2 is a front plan view thereof;
 FIG. 3 is a rear view thereof;
 FIG. 4 is a right side view thereof (the left side being a mirror image of the right side view);
 FIG. 5 is a top plan view thereof;
 FIG. 6 is a perspective view of a second embodiment of the subject audio video shelving unit; and,
 FIG. 7 is a top plan view of the embodiment shown in FIG. 6 (all other views of the second embodiment having the same appearance as FIGS. 2, 3 and 4).

(56) **References Cited**

U.S. PATENT DOCUMENTS

D109,291 S	*	4/1938	Beyrle	D6/473
D262,076 S	*	12/1981	Pracon	D6/407
D302,083 S	*	7/1989	Walter	D6/413
D364,763 S	*	12/1995	Sielaff	D6/479
D371,259 S		7/1996	Herbst		
D378,175 S		2/1997	Hamami		
D402,486 S		12/1998	Wada et al.		
D405,630 S		2/1999	Wohlford		
D433,846 S	*	11/2000	Chang	D6/474
D441,217 S		5/2001	Pepin et al.		
D451,307 S		12/2001	Dong		
D459,117 S	*	6/2002	Singh	D6/474

1 Claim, 7 Drawing Sheets

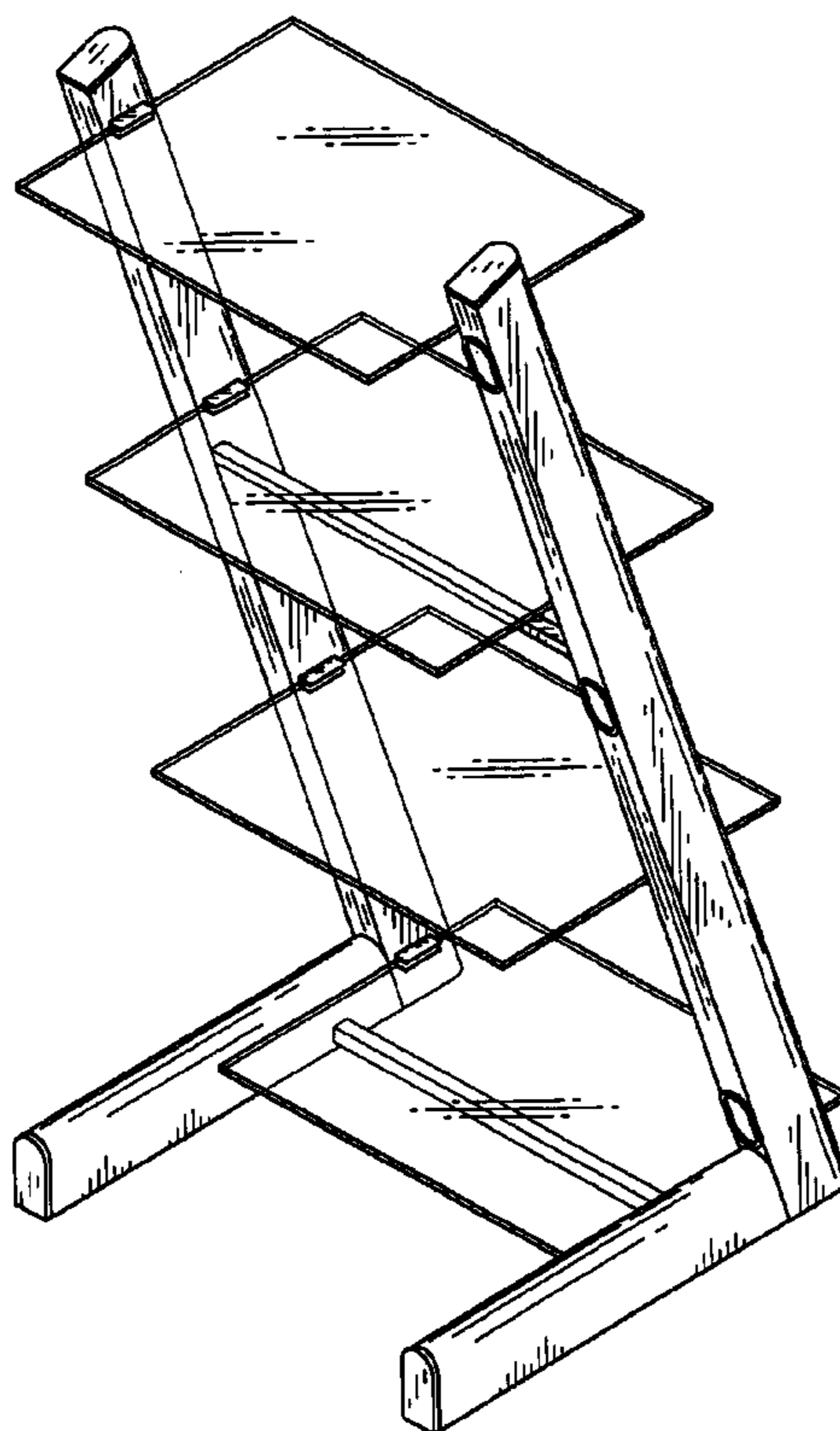


FIG. 1

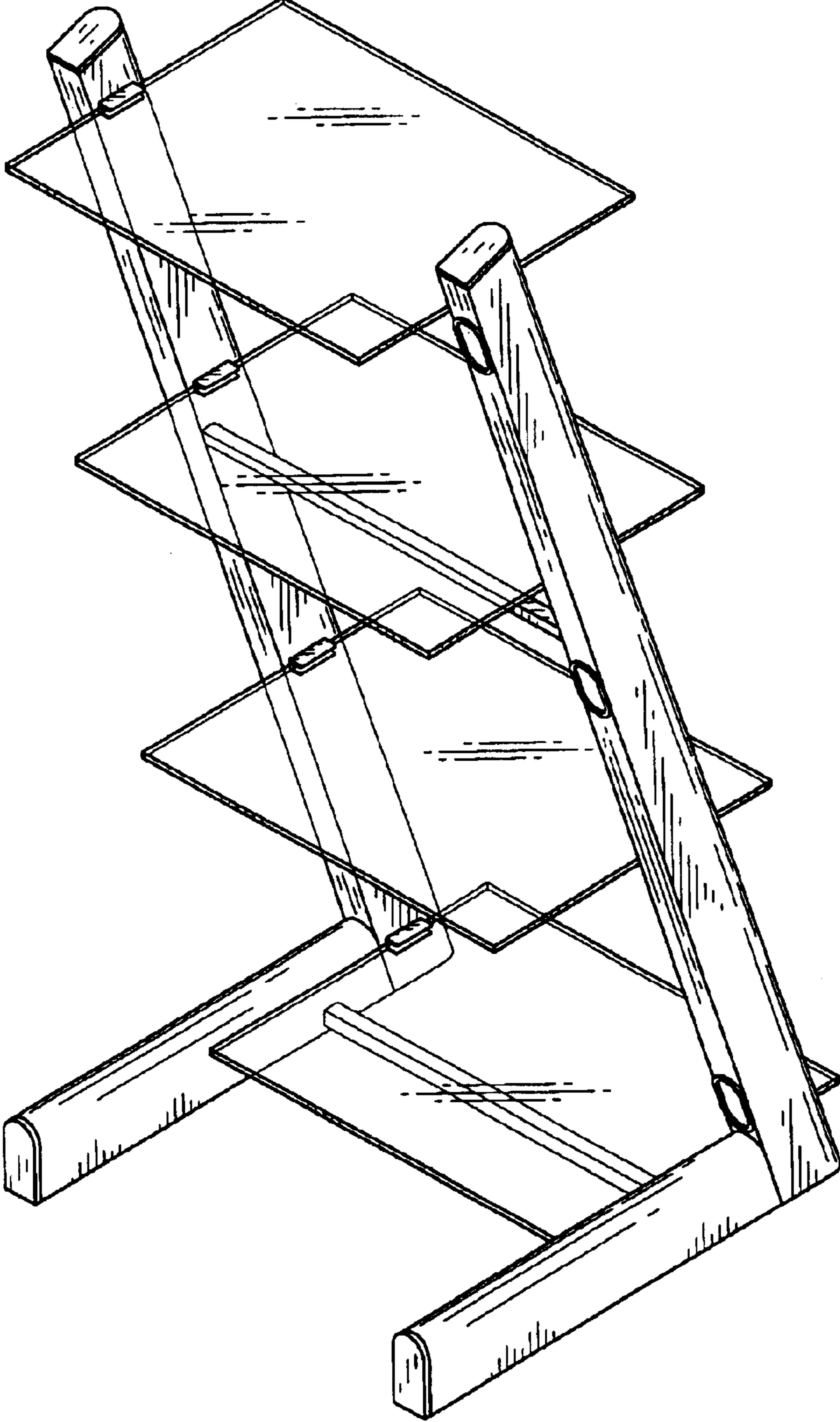


FIG. 2

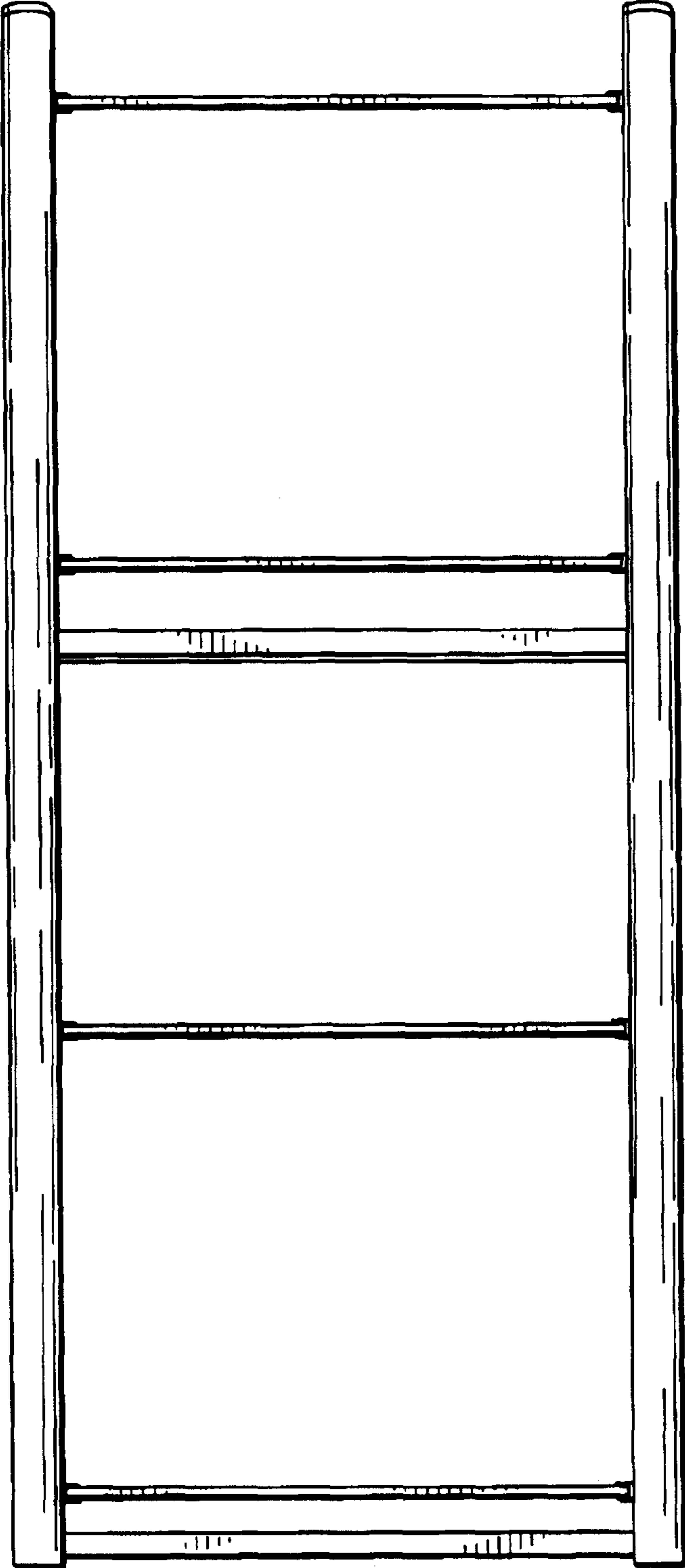


FIG. 3

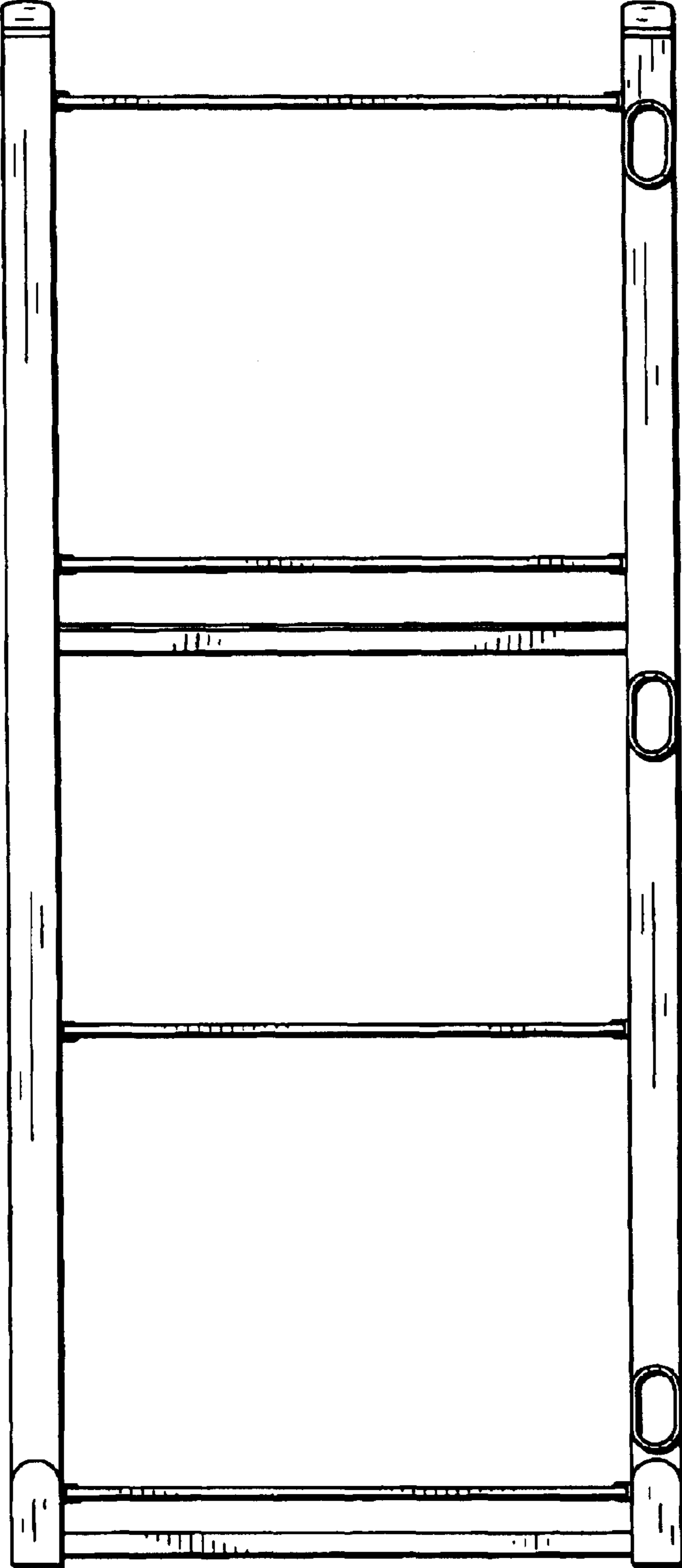


FIG. 4

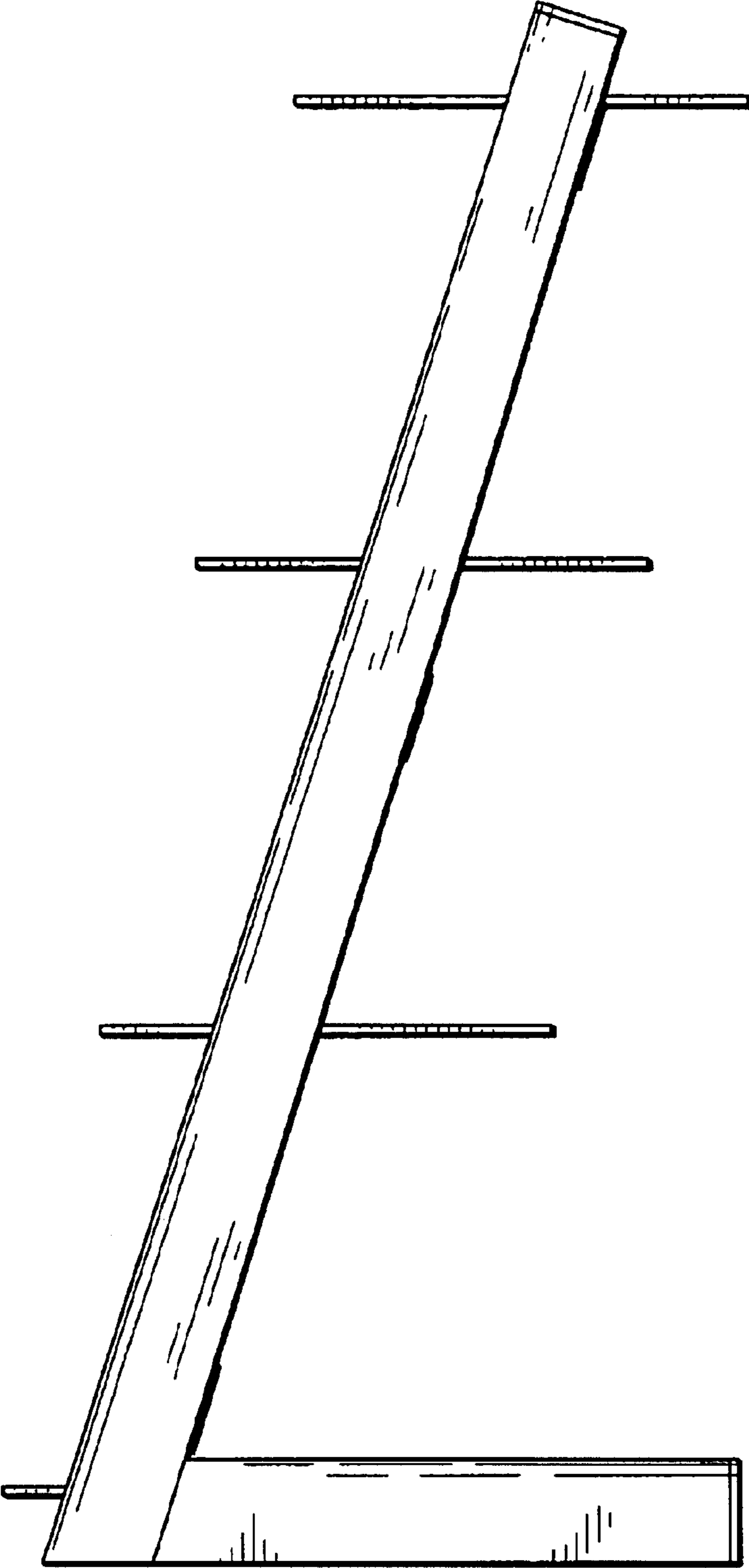


FIG. 5

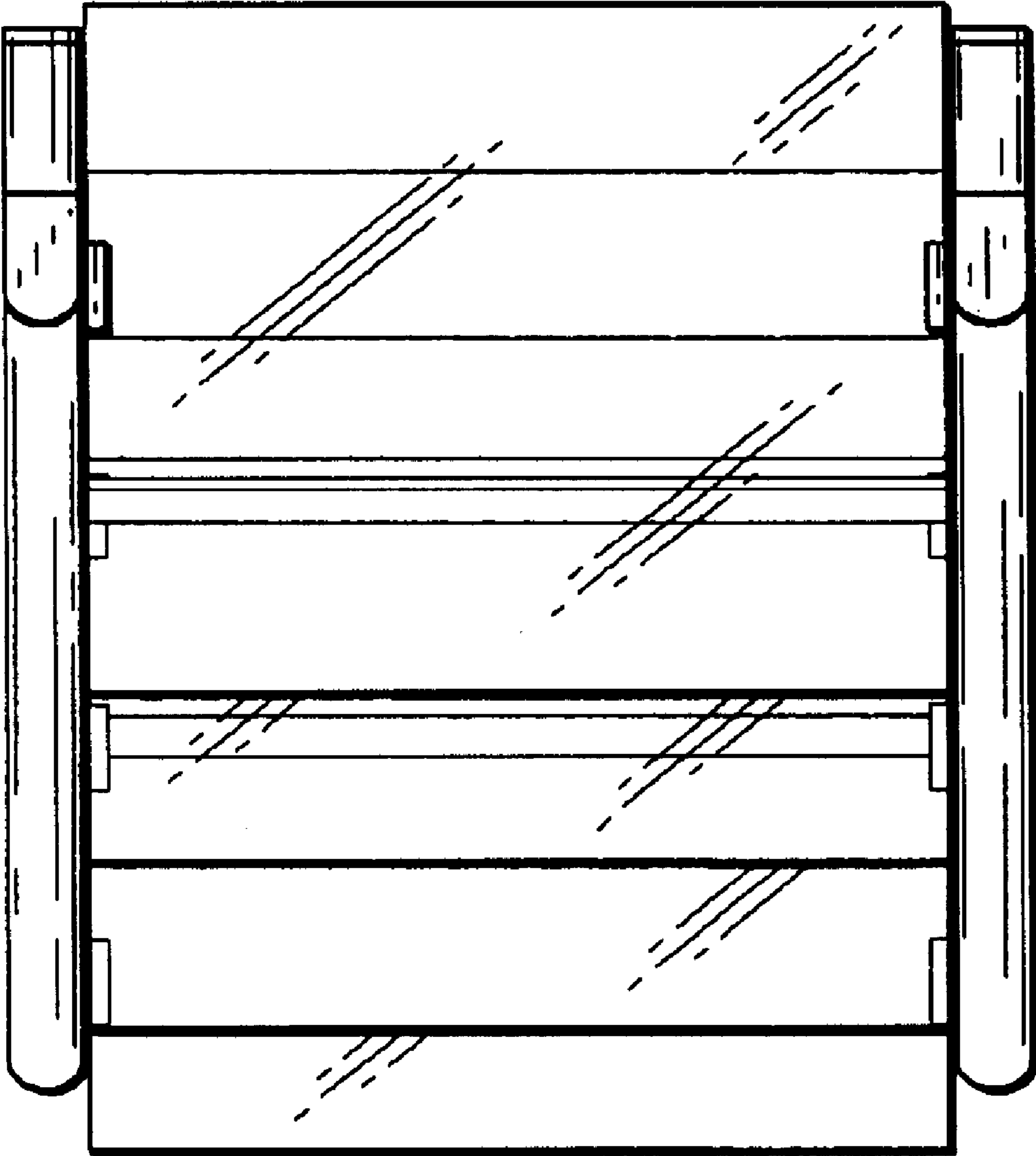


FIG. 6

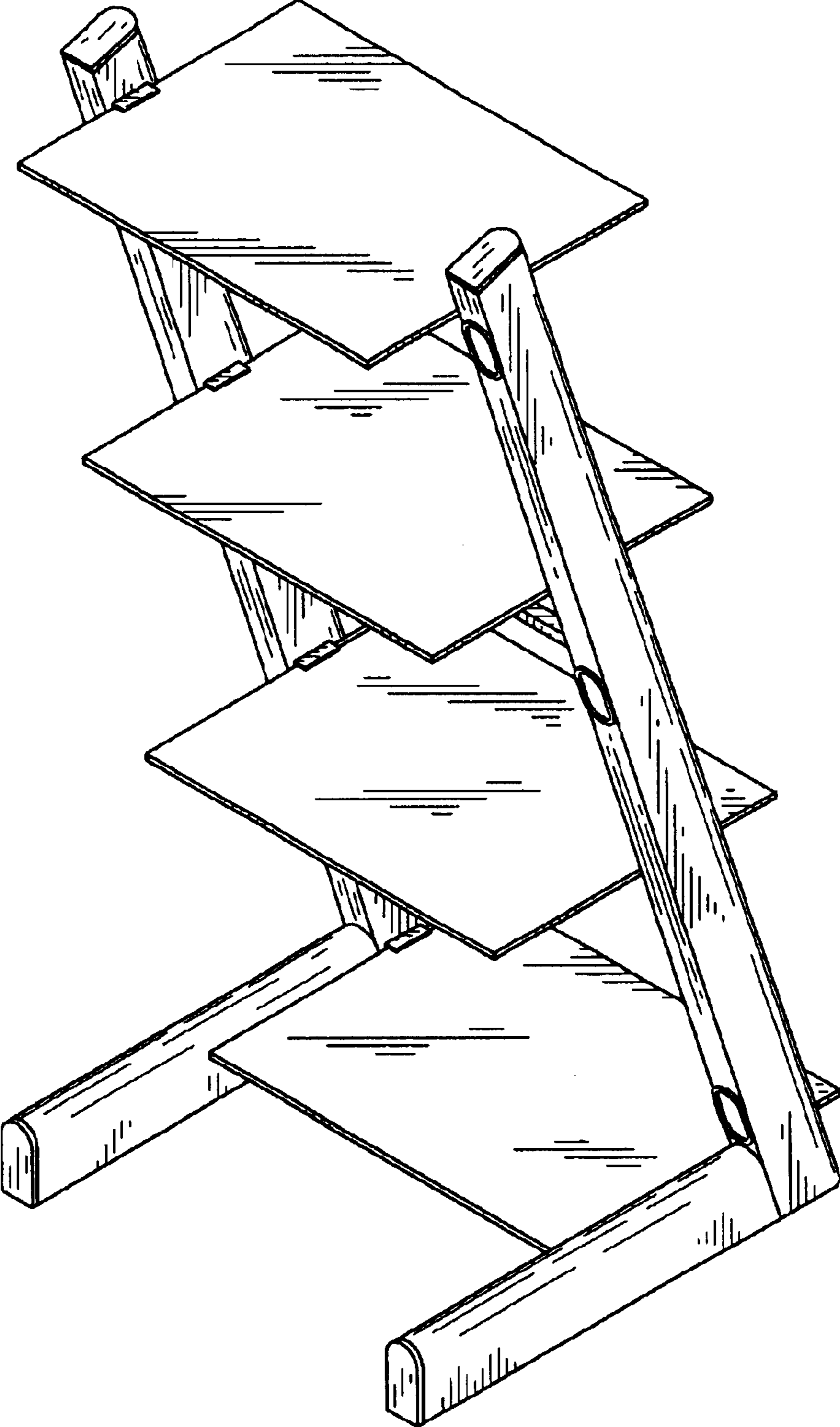


FIG. 7

