

US00D491747S1

(12) **United States Design Patent**
Walters

(10) **Patent No.:** **US D491,747 S**
(45) **Date of Patent:** **** Jun. 22, 2004**

(54) **DISPLAY STAND**

D367,782 S * 3/1996 Kazama D6/474
D395,368 S * 6/1998 Adenau et al. D6/478

(75) **Inventor:** **James D. Walters**, Glen Ellyn, IL (US)

* cited by examiner

(73) **Assignee:** **Peerless Industries, Inc.**, Melrose Park, IL (US)

Primary Examiner—Cathron Brooks
(74) *Attorney, Agent, or Firm*—Foley & Lardner

(**) **Term:** **14 Years**

(57) **CLAIM**

(21) **Appl. No.:** **29/185,134**

We claim the ornamental design for a display stand, as shown and described.

(22) **Filed:** **Jun. 23, 2003**

DESCRIPTION

(51) **LOC (7) Cl.** **06-04**

(52) **U.S. Cl.** **D6/474**

(58) **Field of Search** D6/464, 474-476,
D6/477-479; 108/59, 60, 91, 92, 147.11,
149; 211/153, 186, 188, 194; 312/7.2, 9.1,
223.1

FIG. 1 is a perspective view of the claimed design;
FIG. 2 is a reverse perspective view thereof;
FIG. 3 is a top view thereof;
FIG. 4 is a rear end view thereof;
FIG. 5 is a side view thereof;
FIG. 6 is a front end view thereof; and,
FIG. 7 is a bottom view thereof.

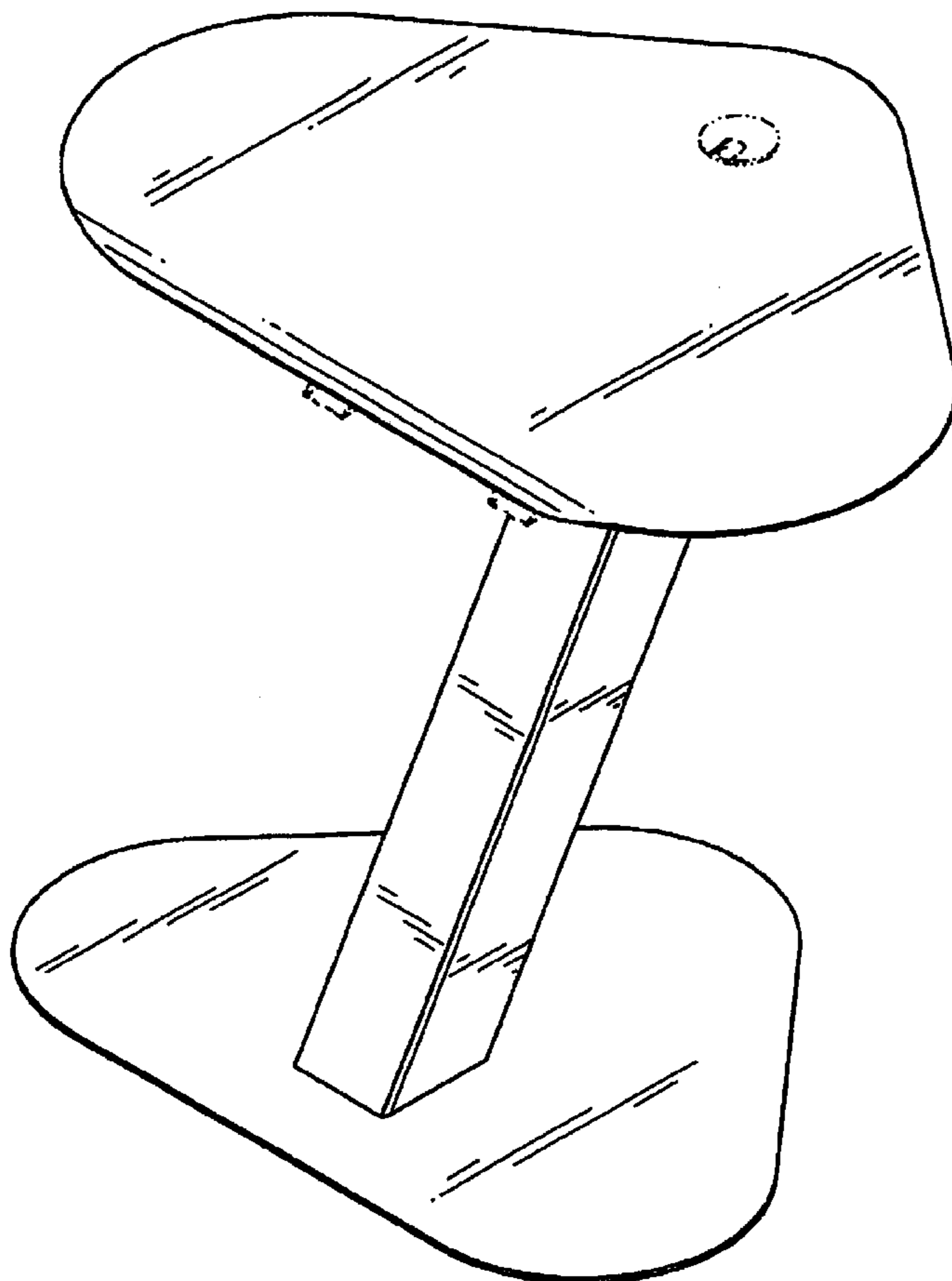
(56) **References Cited**

U.S. PATENT DOCUMENTS

D287,679 S * 1/1987 Evans D6/483
D287,796 S * 1/1987 Evans D6/483
D289,116 S * 4/1987 Kando D6/474
D318,672 S * 7/1991 Derain D14/224

The ornamental design which is claimed is shown in solid lines in the drawings. The broken lines in the drawings are for illustrative purposes only and form no part of the claimed design.

1 Claim, 5 Drawing Sheets



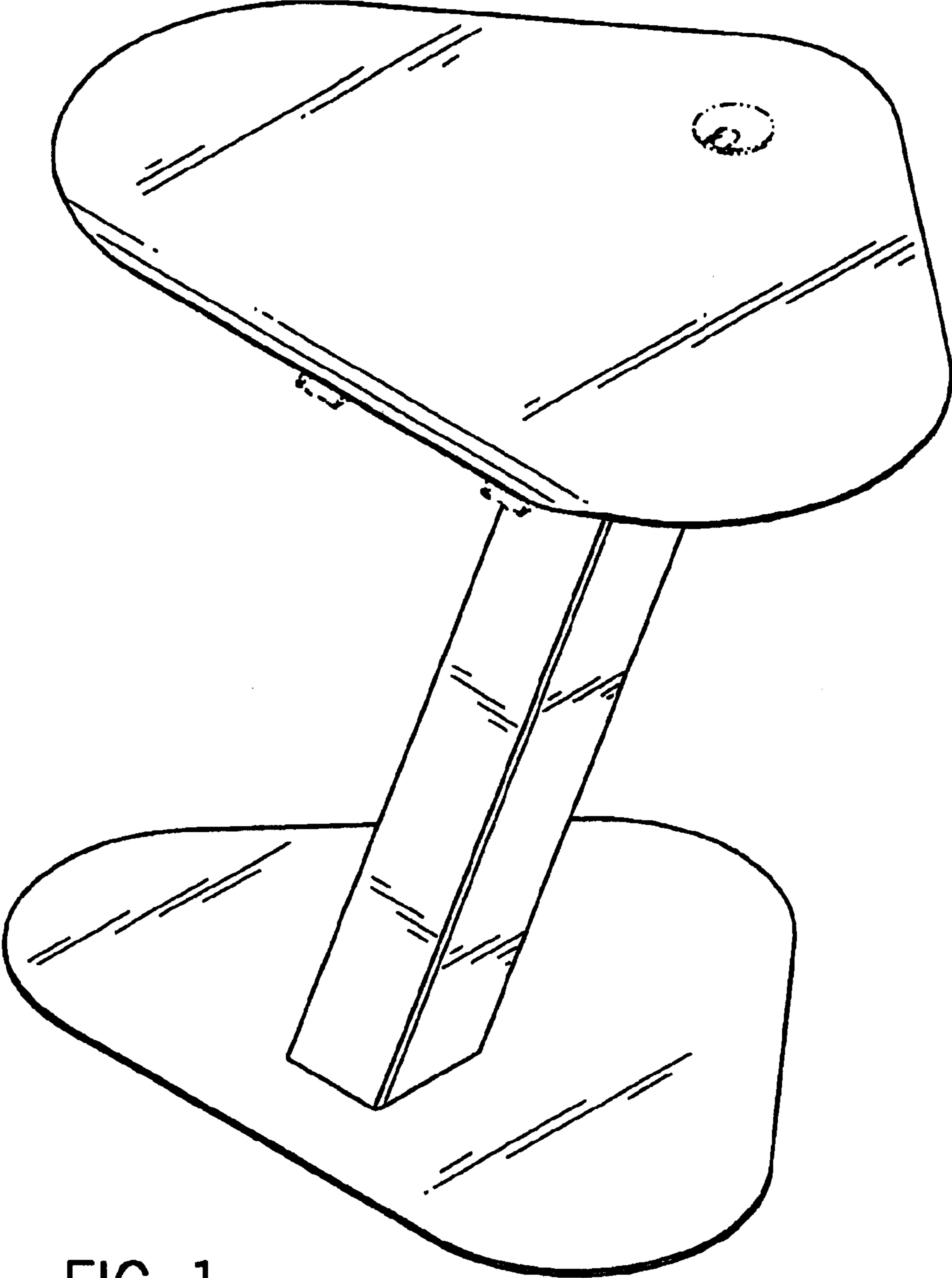


FIG. 1

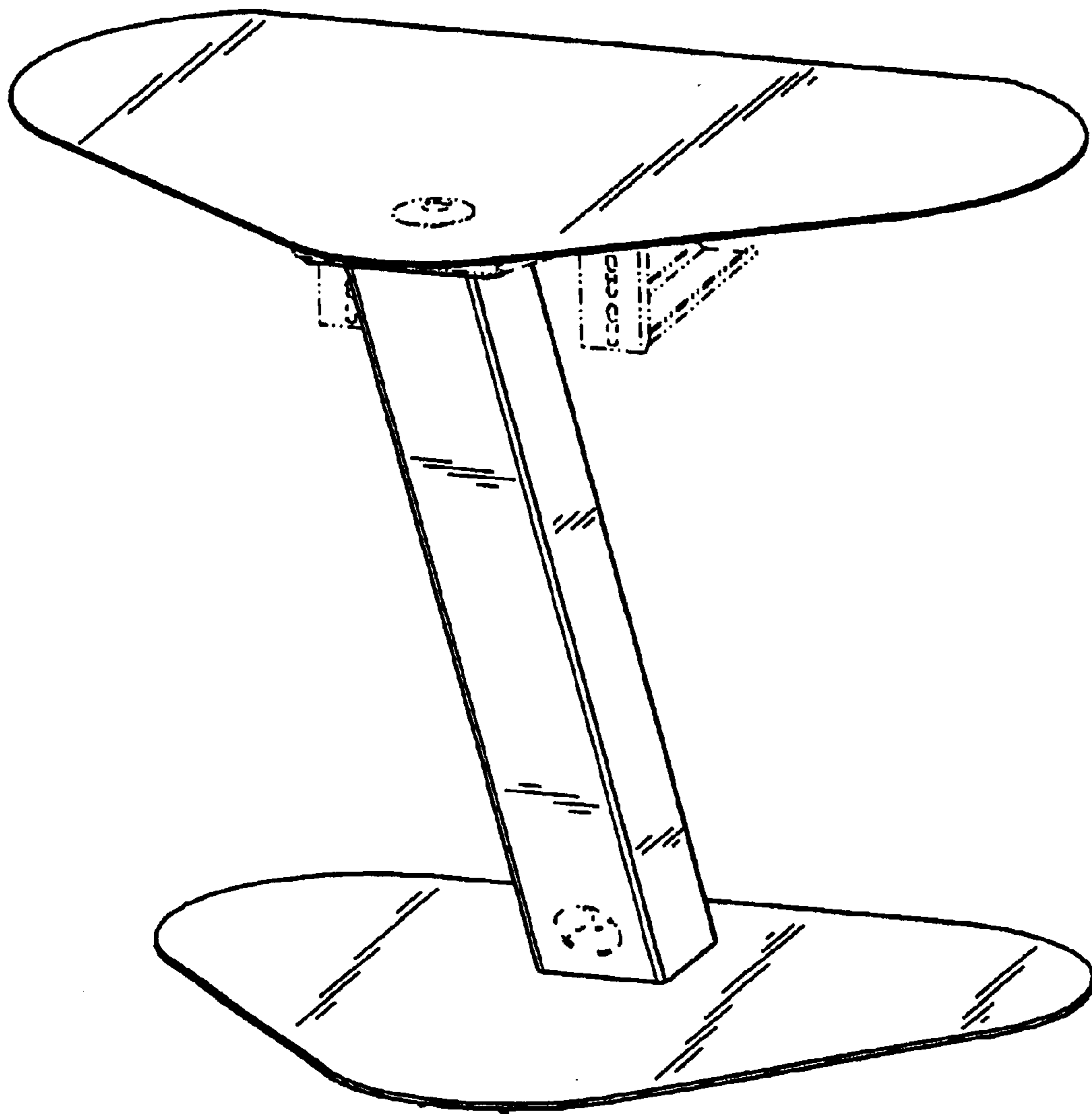


FIG. 2

FIG. 3

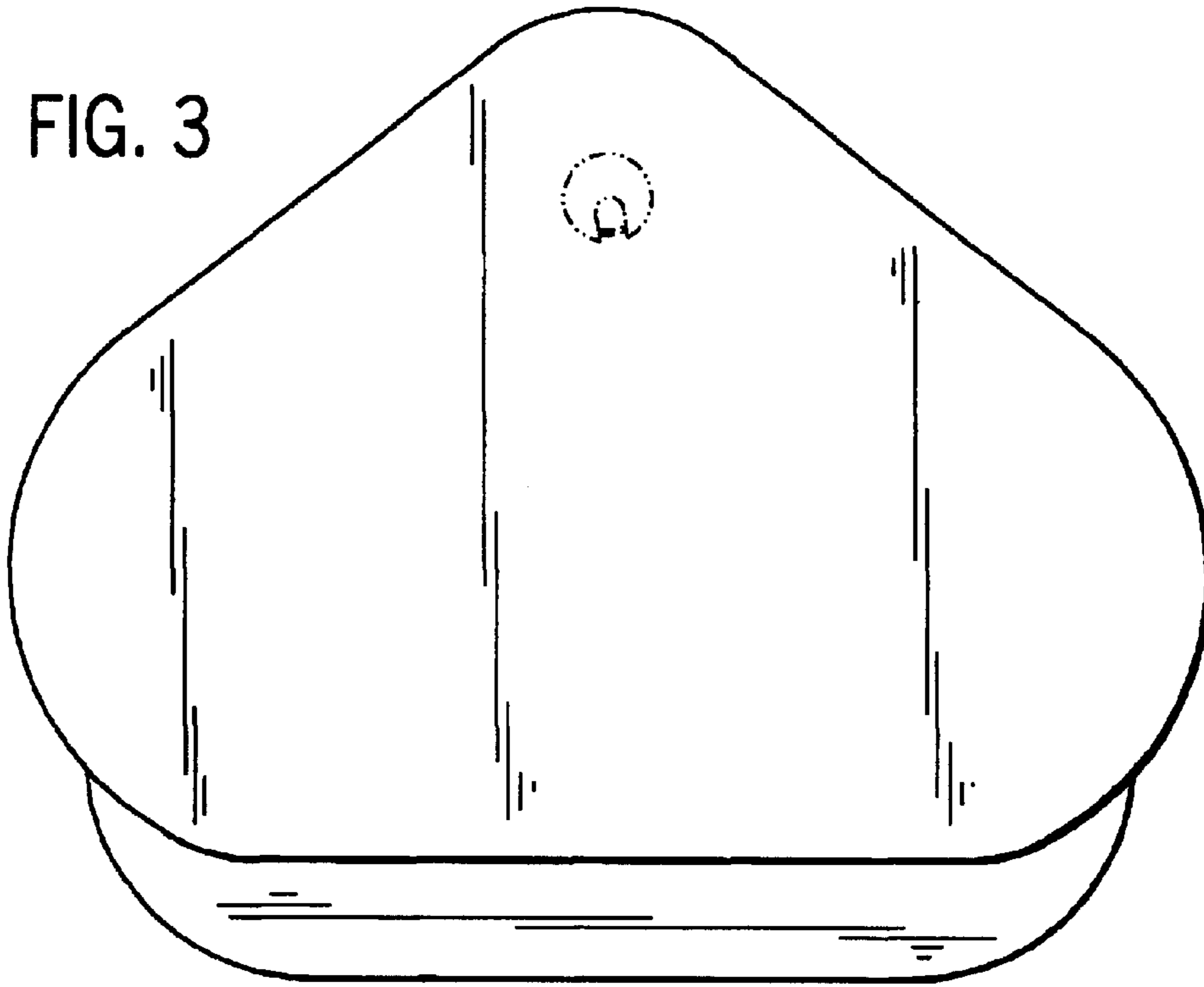


FIG. 4

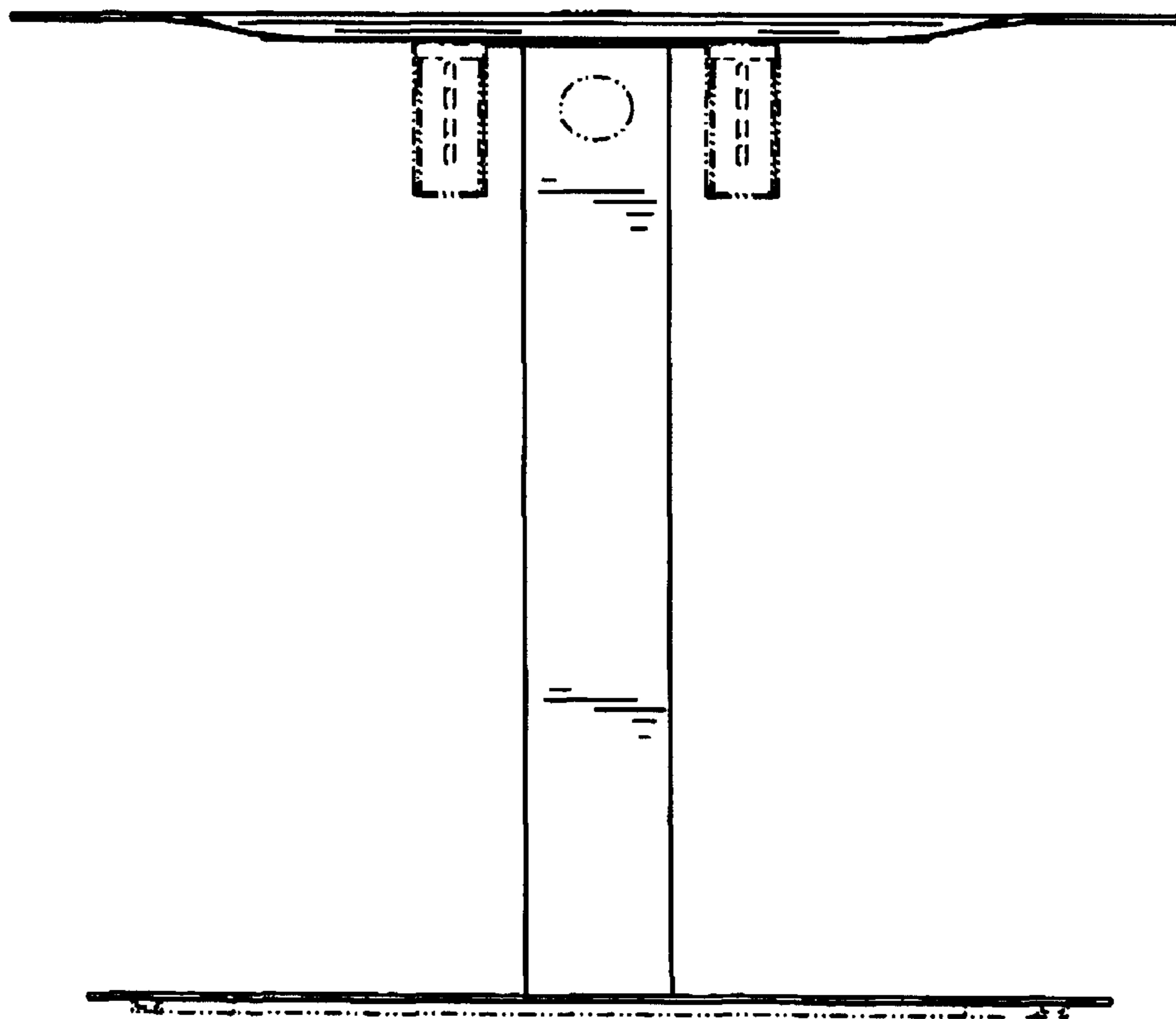


FIG. 5

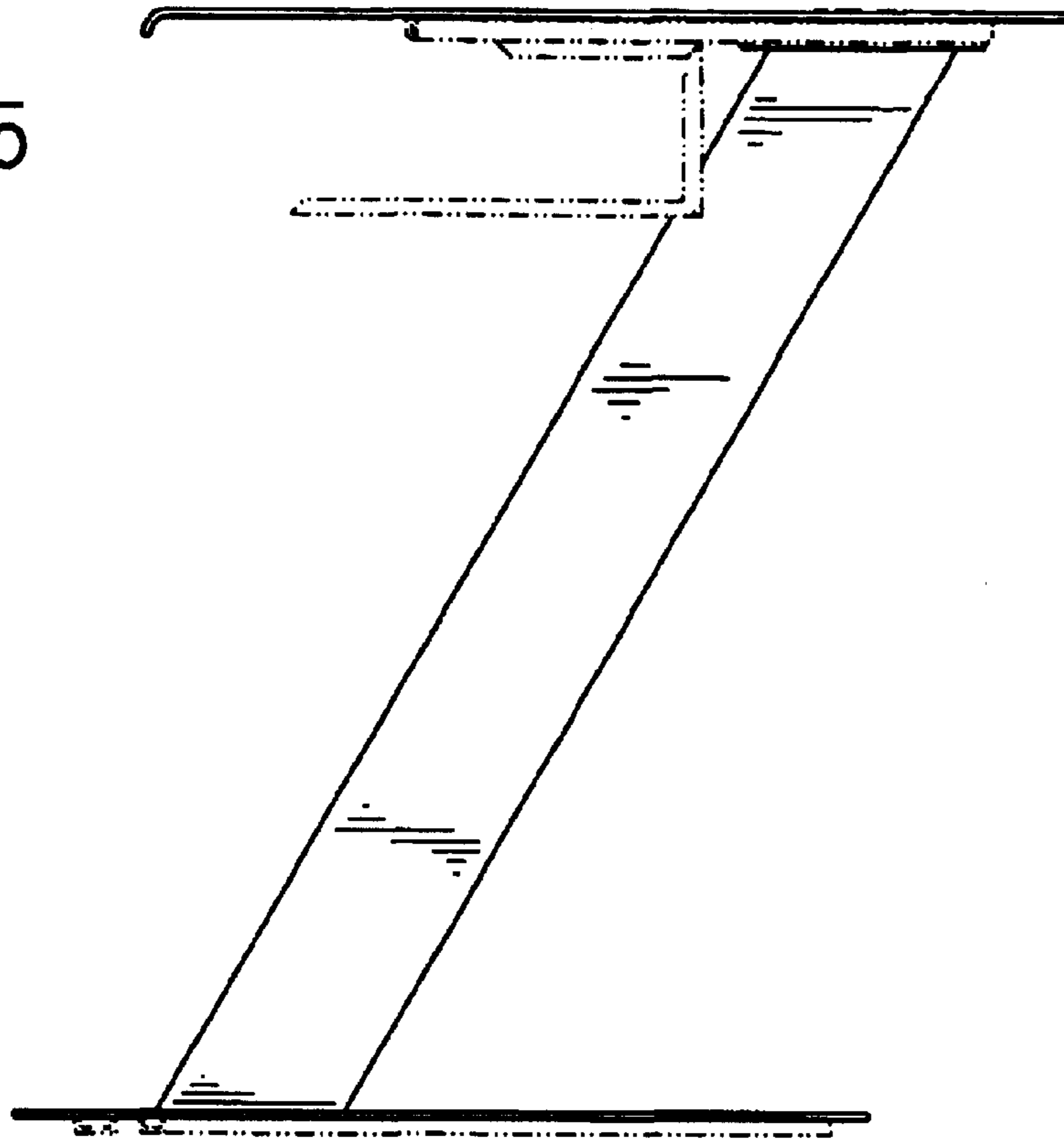
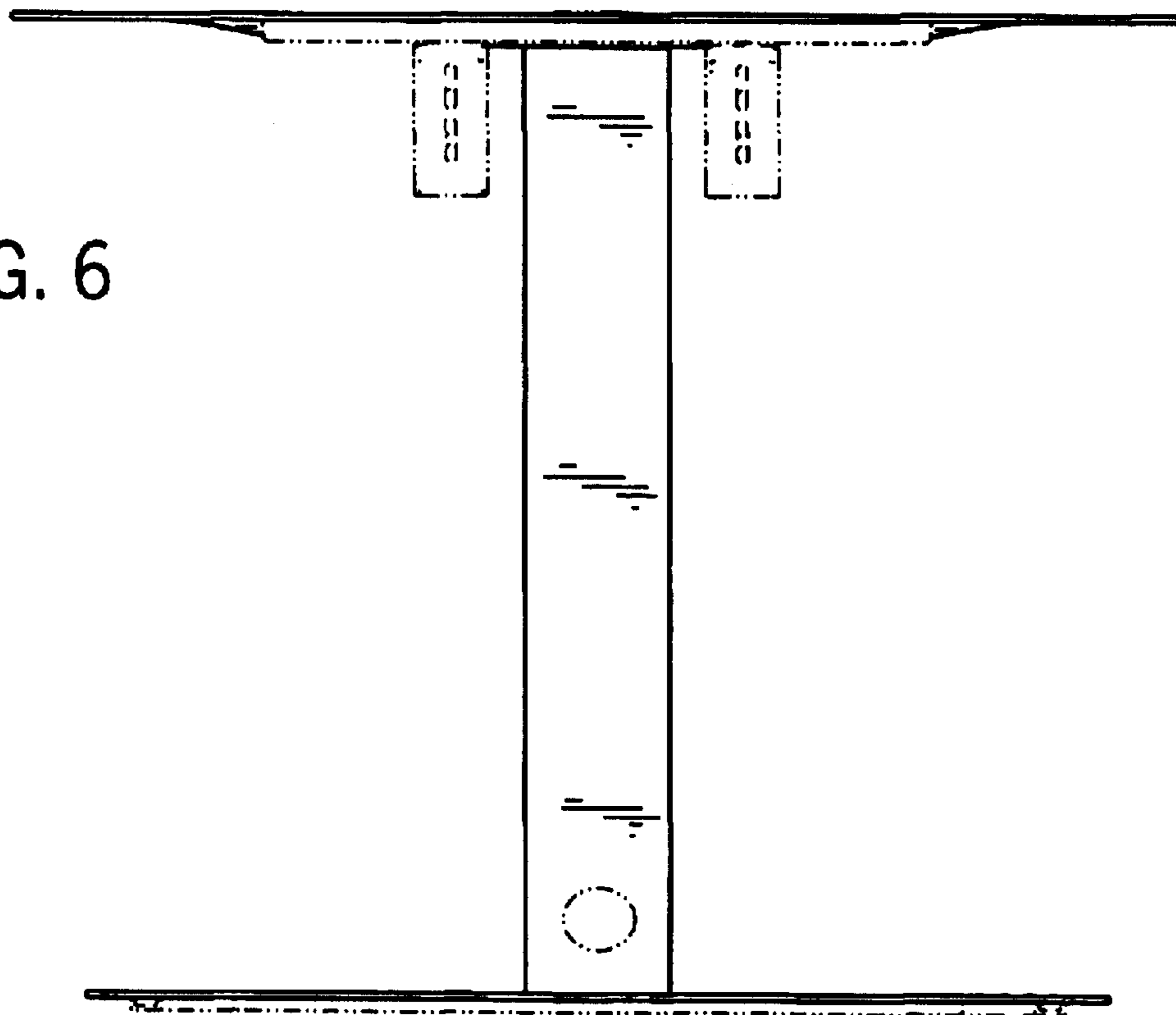


FIG. 6



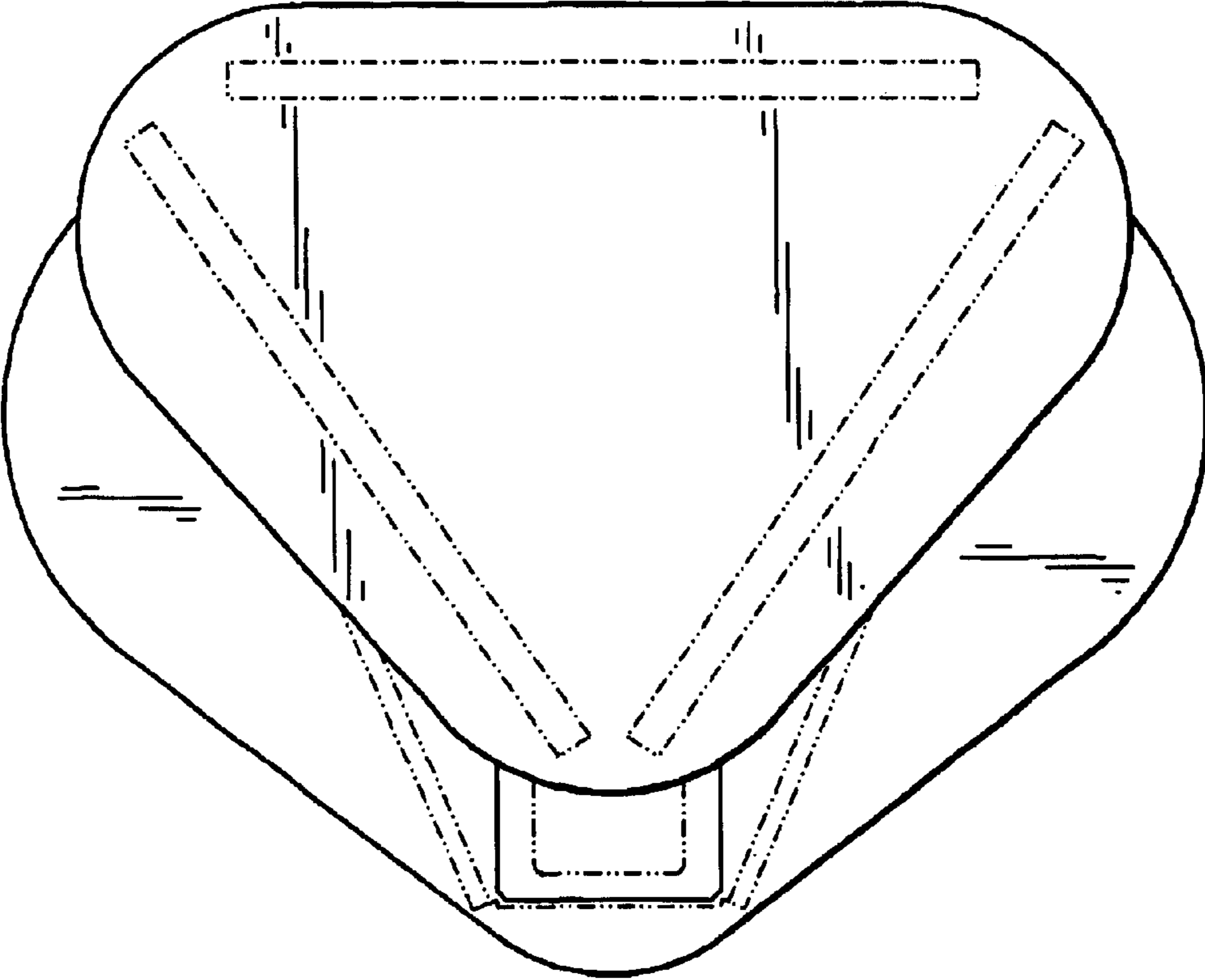


FIG. 7