

US00D491742S1

(12) **United States Design Patent**  
**Harwanko**

(10) **Patent No.:** **US D491,742 S**  
(45) **Date of Patent:** **\*\* Jun. 22, 2004**

(54) **TOWEL RACK**

D456,167 S \* 4/2002 Harwanko ..... D6/410

(75) Inventor: **Jeffrey Harwanko**, Wilmington, DE  
(US)

\* cited by examiner

(73) Assignee: **Zenith Products Corp.**, New Castle,  
DE (US)

*Primary Examiner*—Cathron Brooks  
(74) *Attorney, Agent, or Firm*—Edgar A. Zarins; Lloyd D.  
Doigan

(\*\*) Term: **14 Years**

(57) **CLAIM**

(21) Appl. No.: **29/183,367**

The ornamental design for a towel rack, as shown and  
described.

(22) Filed: **Jun. 11, 2003**

(51) **LOC (7) Cl.** ..... **06-04**

(52) **U.S. Cl.** ..... **D6/410; D6/465**

(58) **Field of Search** ..... D6/464, 474-476,  
D6/477-479; 108/59, 60, 91, 92, 147.11,  
149; 211/153, 186, 188, 194; 312/7.2, 9.1,  
223.1

**DESCRIPTION**

FIG. 1 is a perspective view of a towel rack showing my new  
design;

FIG. 2 is a front elevational view thereof;

FIG. 3 is a left side view thereof, the opposite side being a  
mirror image of the side shown; and,

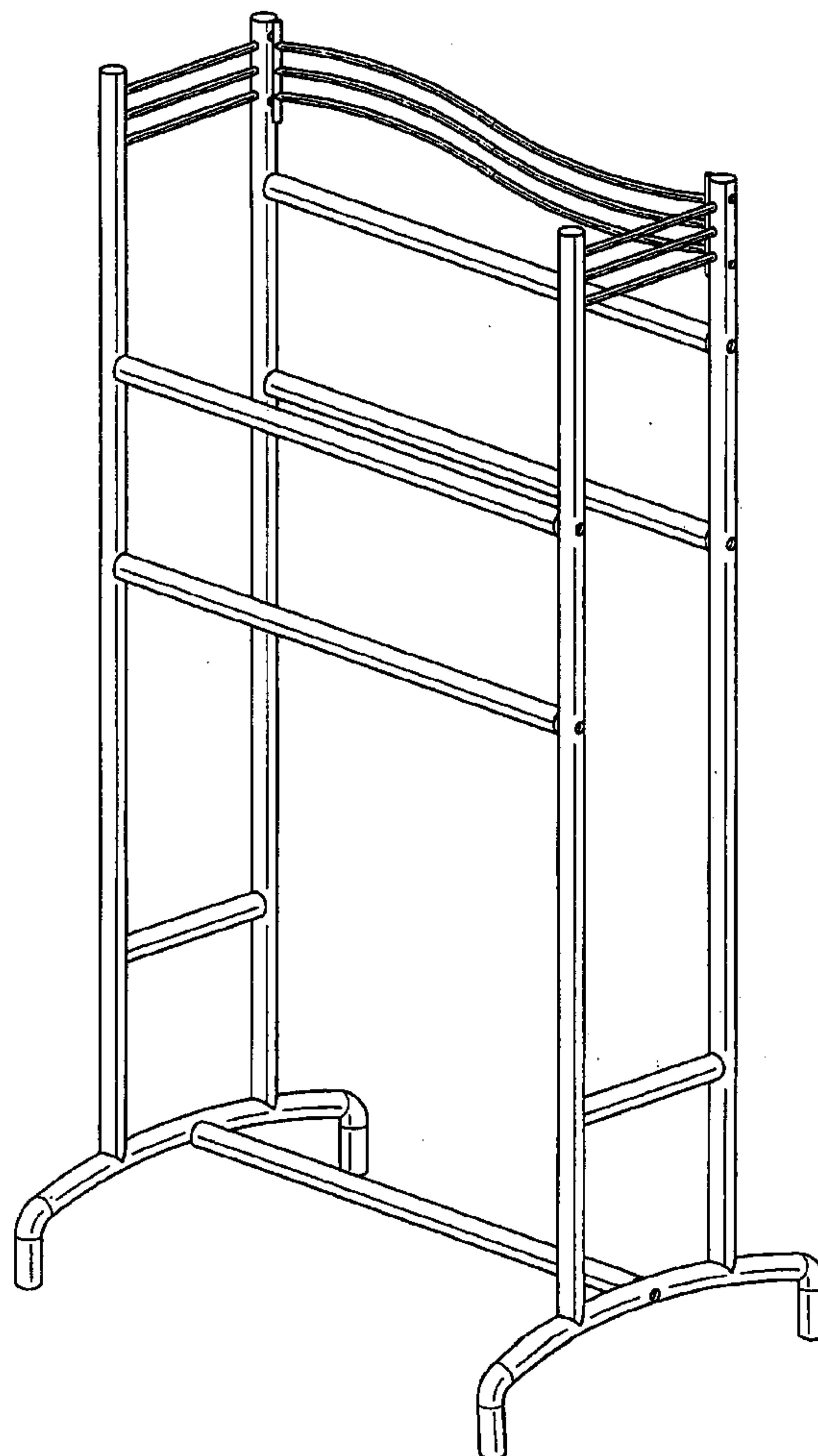
FIG. 4 is a top plan view thereof.

(56) **References Cited**

**U.S. PATENT DOCUMENTS**

D424,320 S \* 5/2000 Klein et al. .... D6/411

**1 Claim, 4 Drawing Sheets**



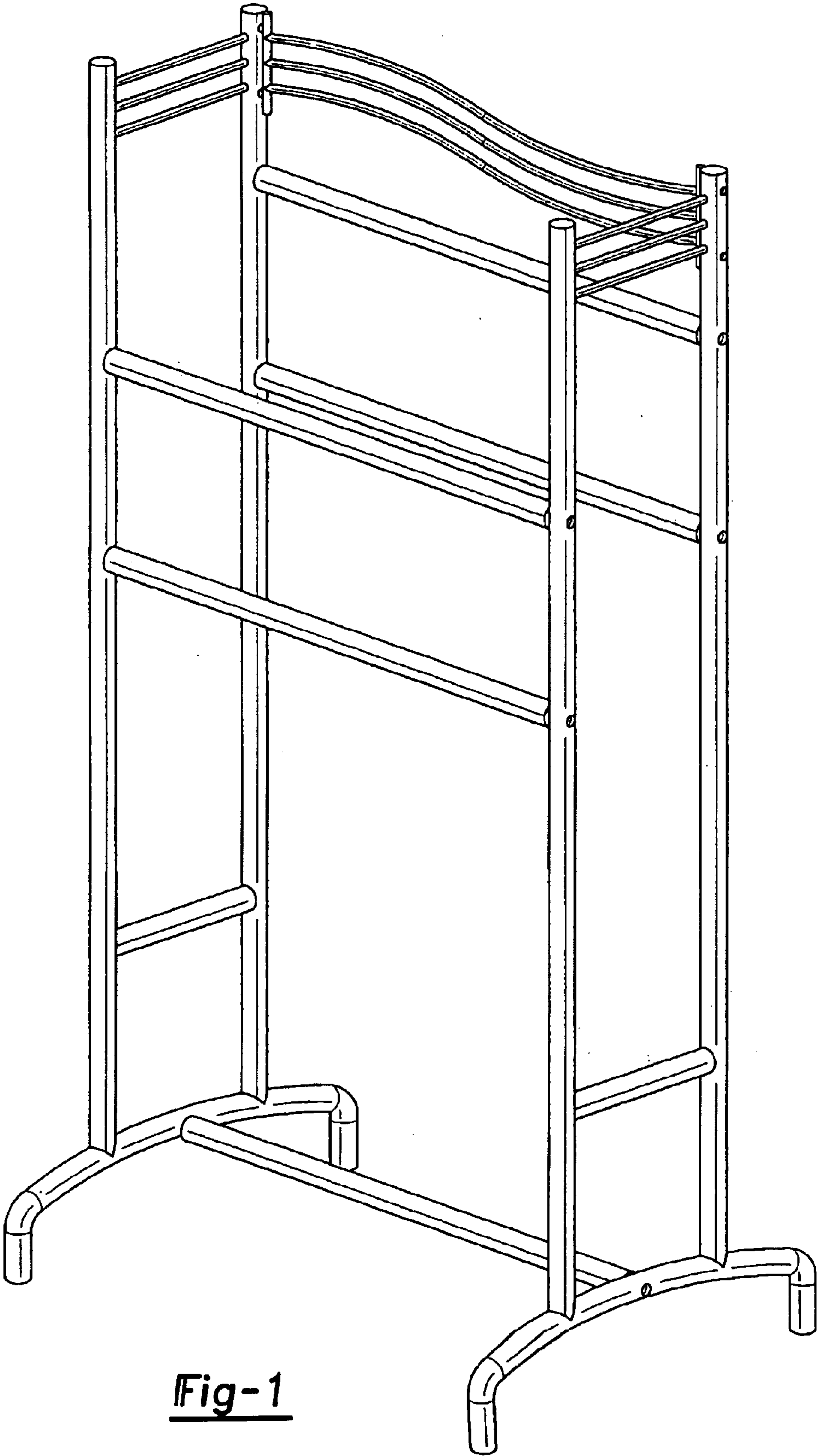


Fig-1

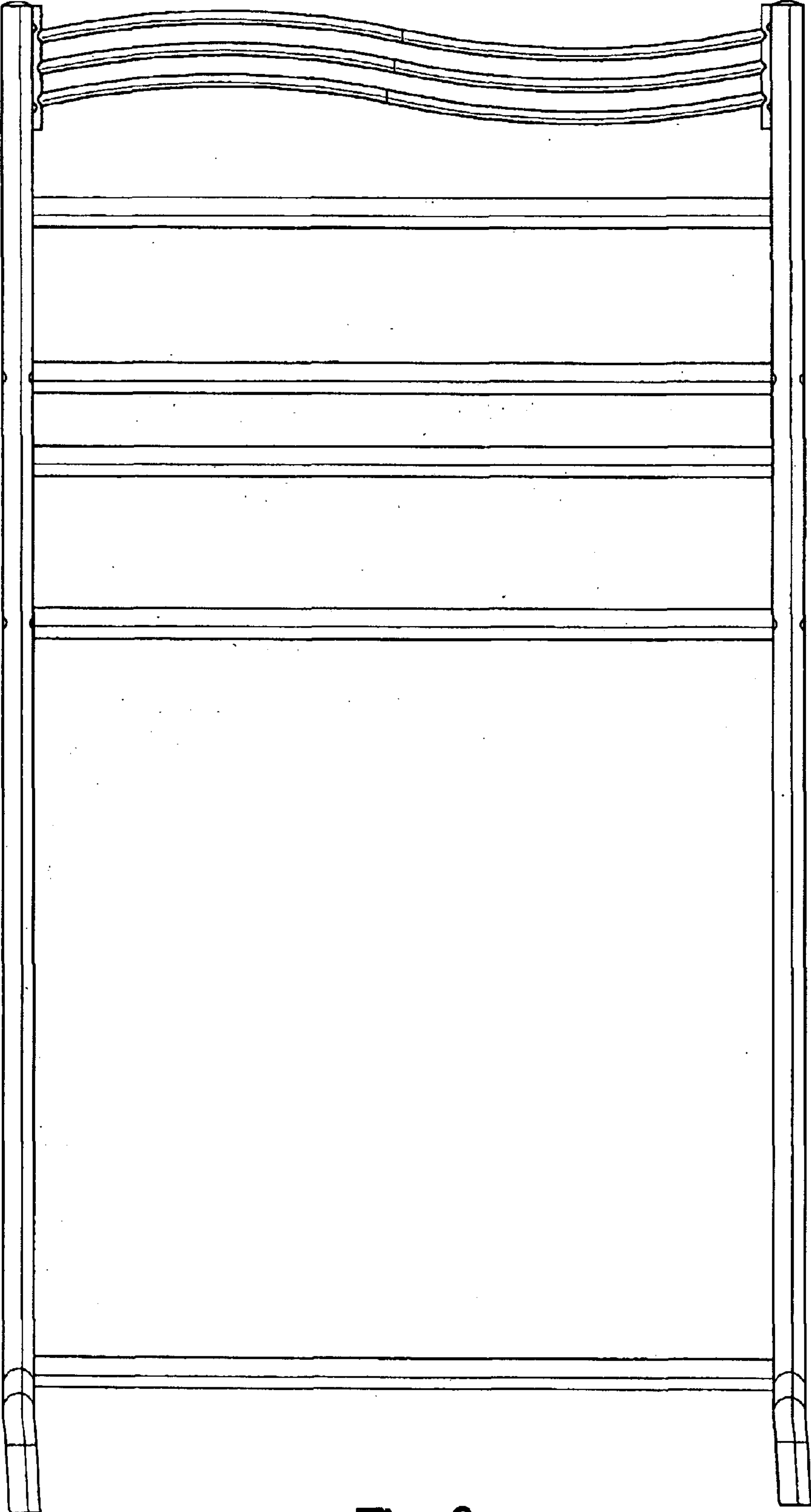


Fig-2

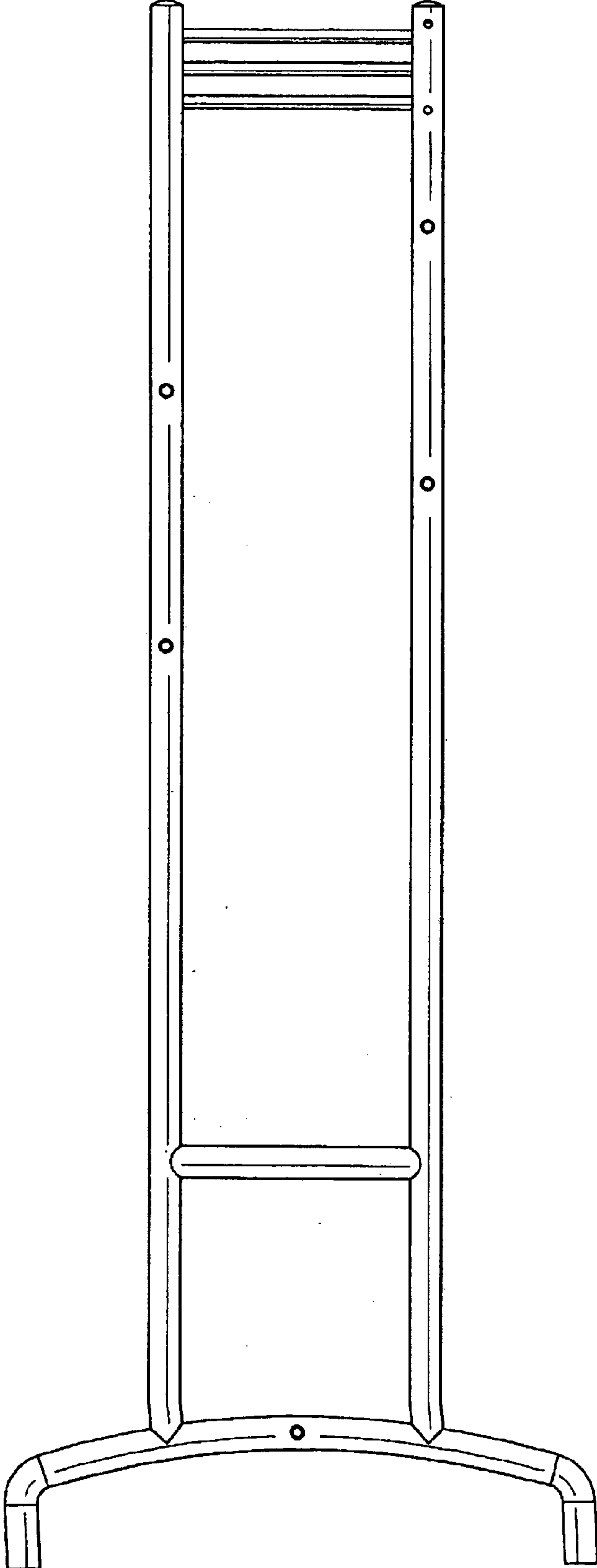


Fig-3

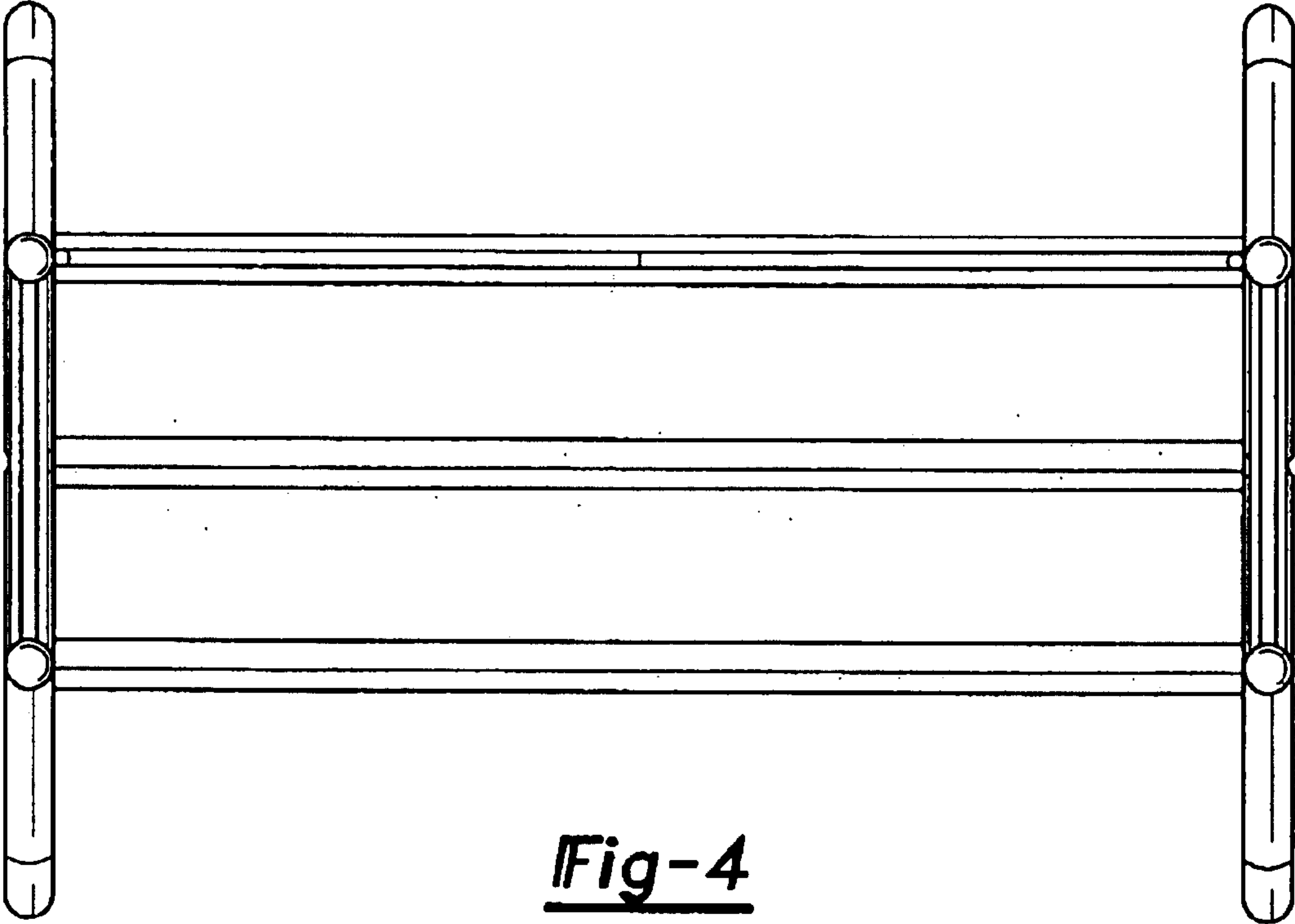


Fig-4