

US00D491741S1

(12) **United States Design Patent** (10) **Patent No.:** **US D491,741 S**  
**Risdon et al.** (45) **Date of Patent:** **\*\* Jun. 22, 2004**

(54) **BED**

(75) Inventors: **Scott M. Risdon**, Greensboro, NC (US); **Nancy L. Warren**, Greensboro, NC (US)

(73) Assignee: **LADD Furniture, Inc.**, Greensboro, NC (US)

(\*\*) Term: **14 Years**

(21) Appl. No.: **29/178,909**

(22) Filed: **Apr. 2, 2003**

**Related U.S. Application Data**

(62) Division of application No. 29/158,907, filed on Apr. 12, 2002.

(51) **LOC (7) Cl.** ..... **06-06**

(52) **U.S. Cl.** ..... **D6/395; D6/393**

(58) **Field of Search** ..... D6/382, 388, 389, D6/392-395, 505-508; 5/53.1, 279.1, 280, 281, 310, 907

(56) **References Cited**

**U.S. PATENT DOCUMENTS**

D418,691 S \* 1/2000 O'Hare ..... D6/389  
D419,329 S \* 1/2000 Cain ..... D6/389  
D429,434 S \* 8/2000 Walters-Dowding et al. D6/508

\* cited by examiner

*Primary Examiner*—Janice Seeger  
(74) *Attorney, Agent, or Firm*—Harness, Dickey & Pierce, P.L.C.

(57) **CLAIM**

The ornamental design for the bed, as shown and described.

**DESCRIPTION**

FIG. 1 is a perspective view of a metal bed in accordance with a first embodiment of the present invention;

FIG. 2 is a front view of the metal bed, the back of the metal bed is not illustrated as it forms no part of the present invention;

FIG. 3 is a top view of the metal bed, the bottom of the metal bed is not illustrated as it forms no part of the present invention;

FIG. 4 is a right side view of the metal bed, the left side view being a mirror image thereof;

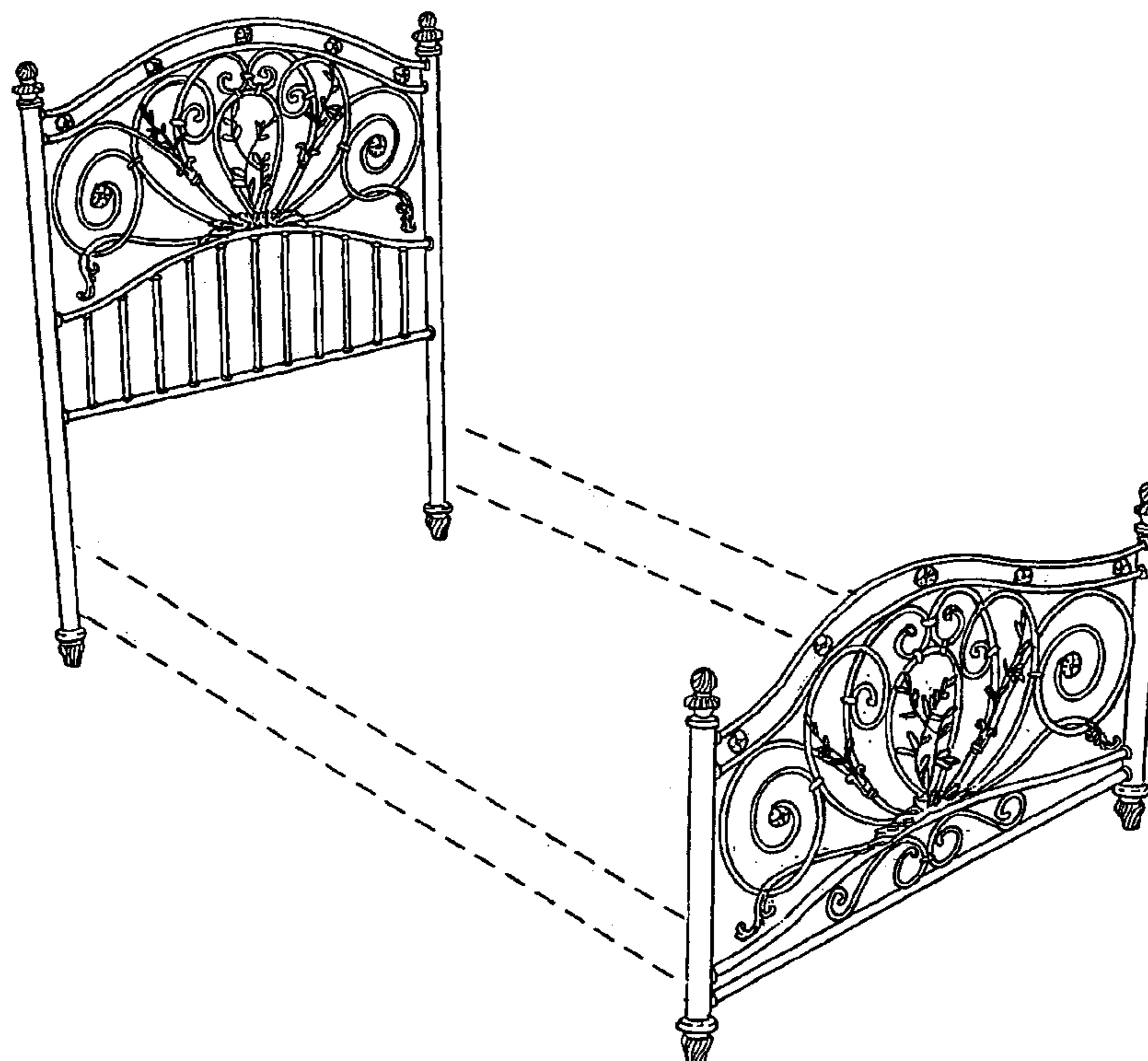
FIG. 5 is a perspective view of a metal bed in accordance with a second embodiment of the present invention;

FIG. 6 is a front view of the metal bed, the back of the metal bed is not illustrated as it forms no part of the present invention;

FIG. 7 is a top view of the metal bed, the bottom of the metal bed is not illustrated as it forms no part of the present invention; and,

FIG. 8 is a right side view of the metal bed, the left side view being a mirror image thereof.

**1 Claim, 8 Drawing Sheets**



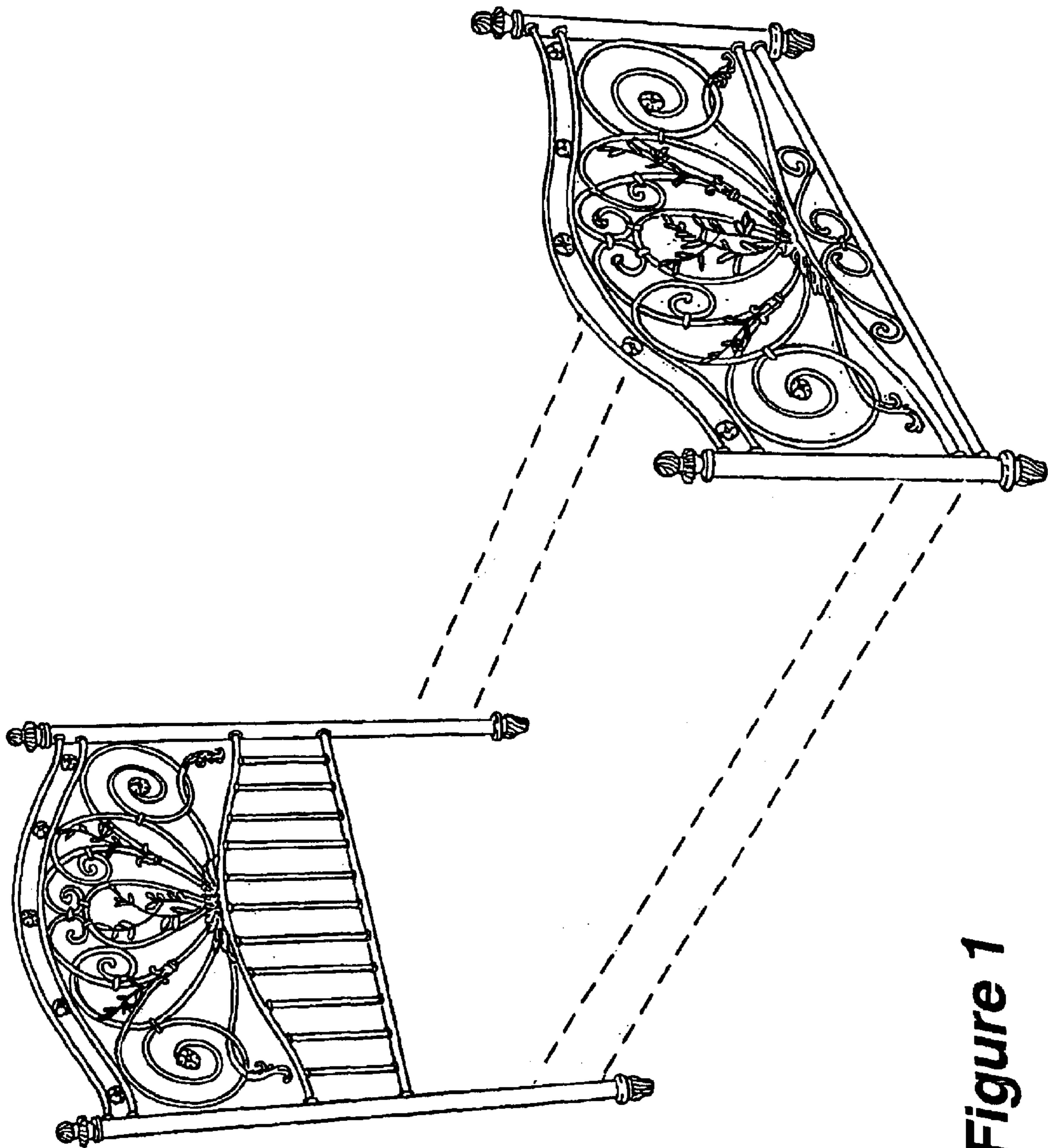
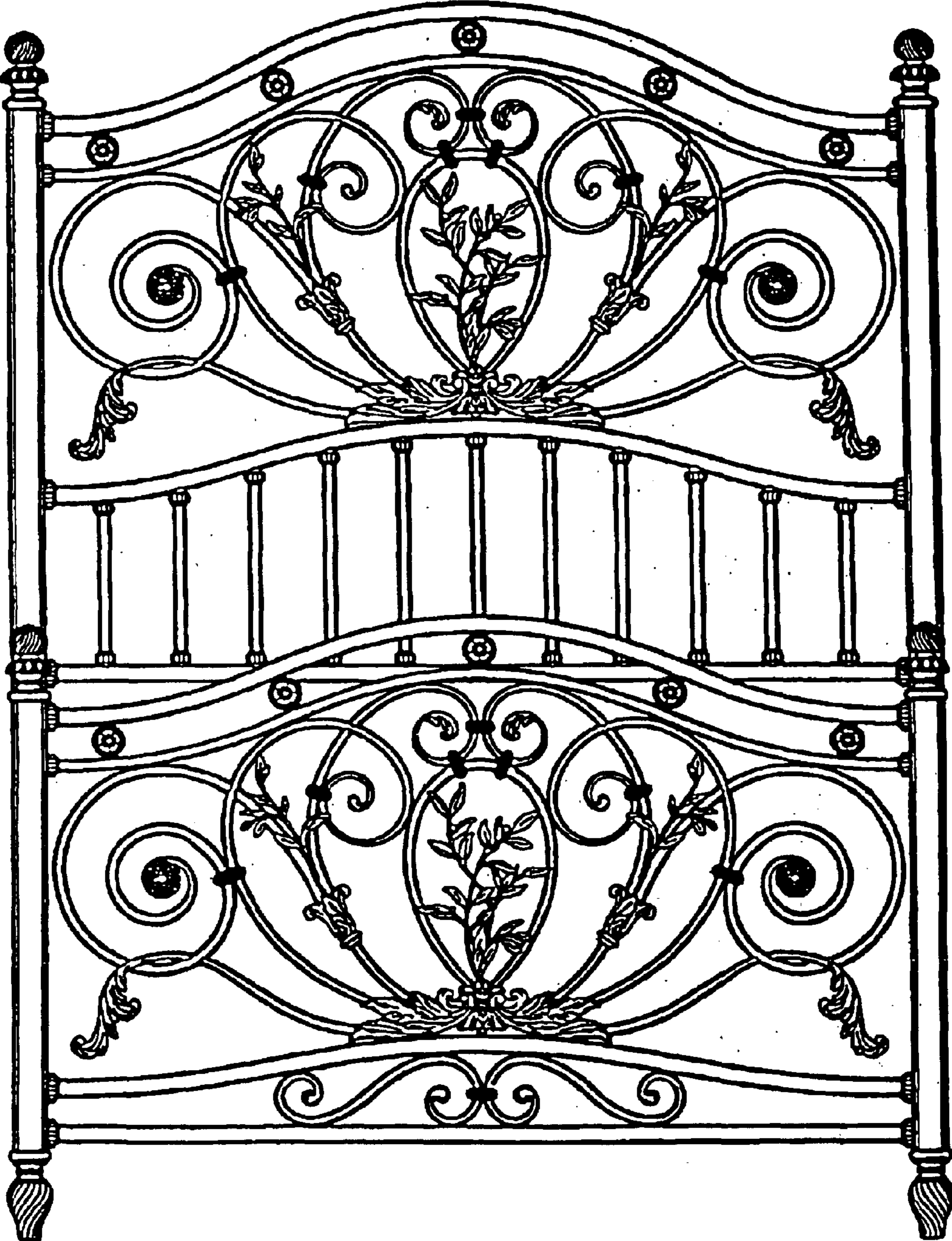
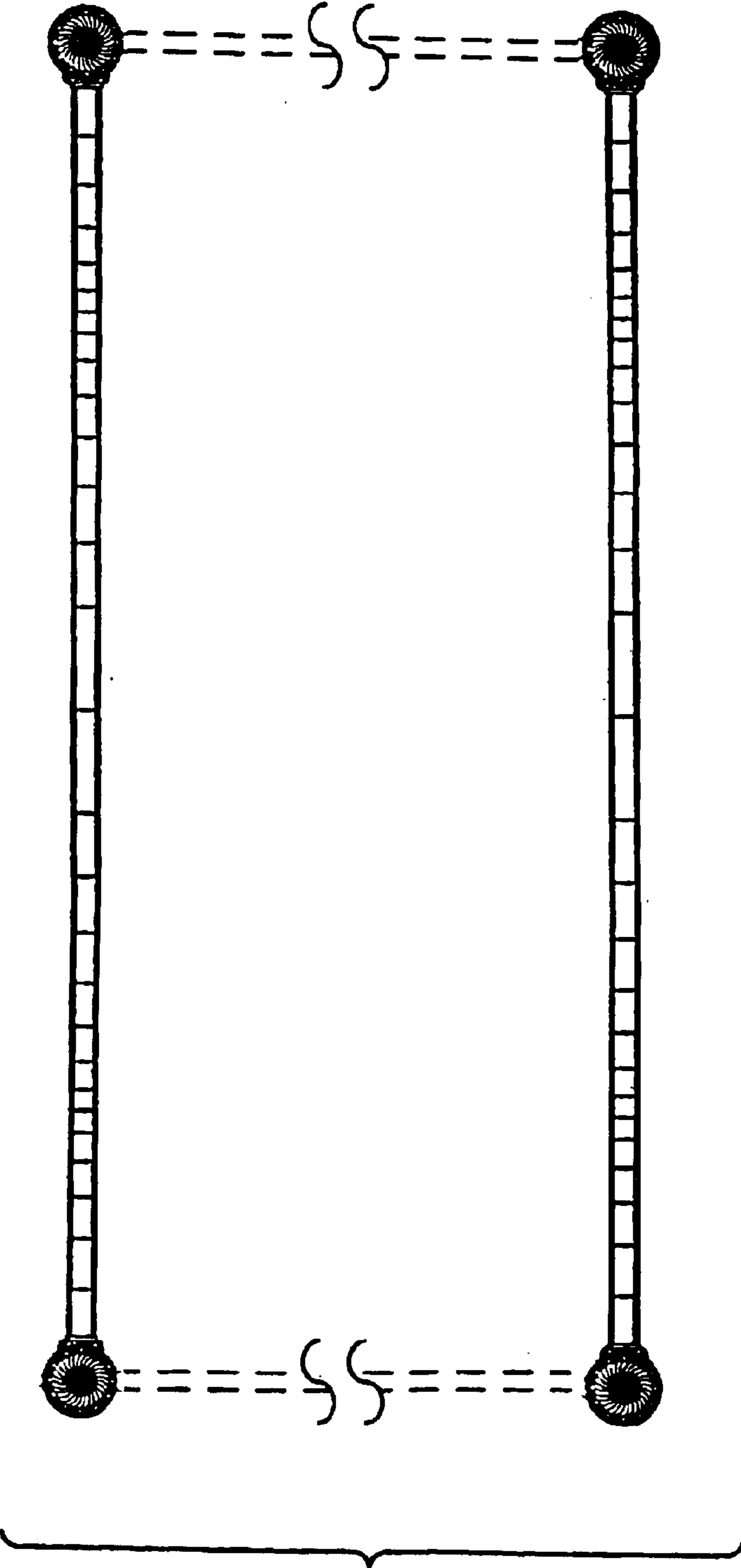


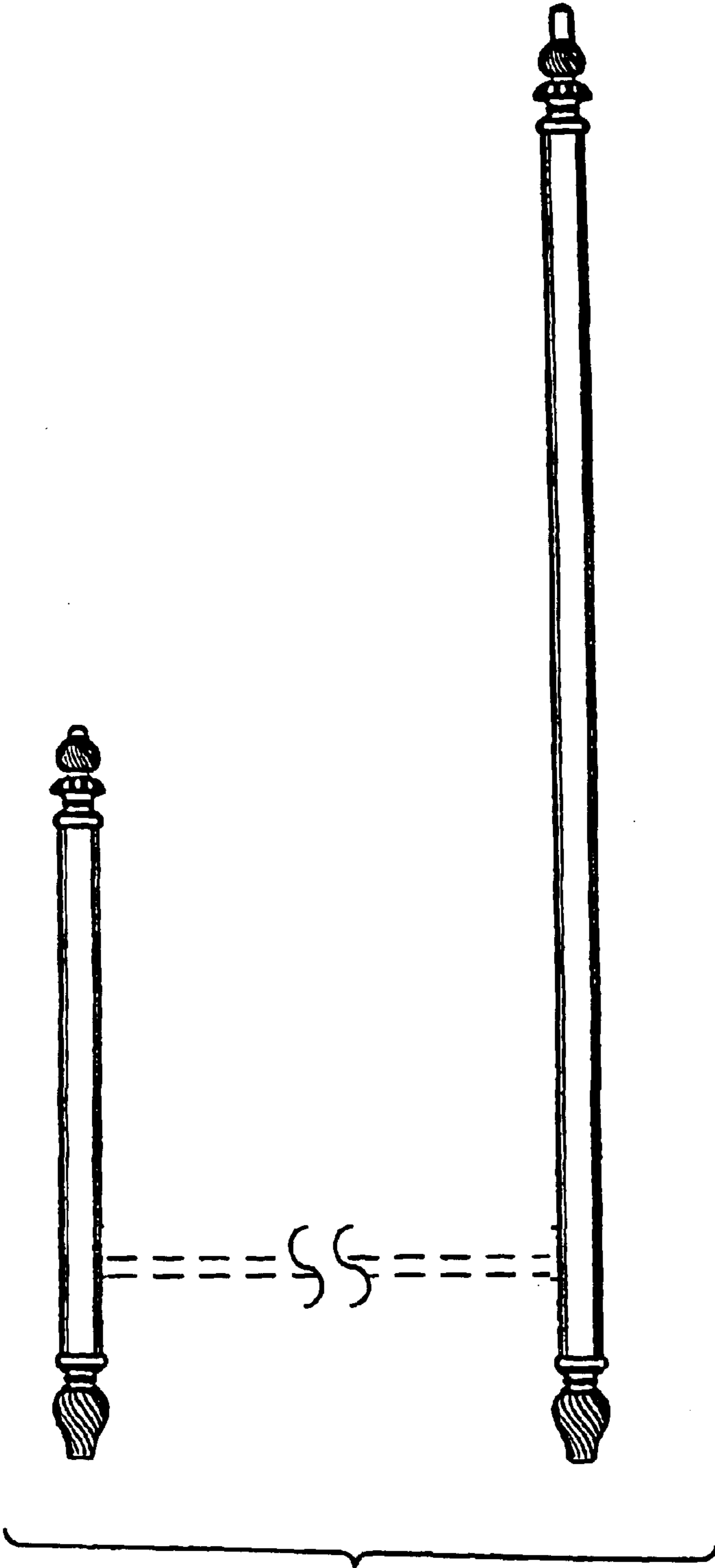
Figure 1



**Figure 2**



**Figure 3**



**Figure 4**

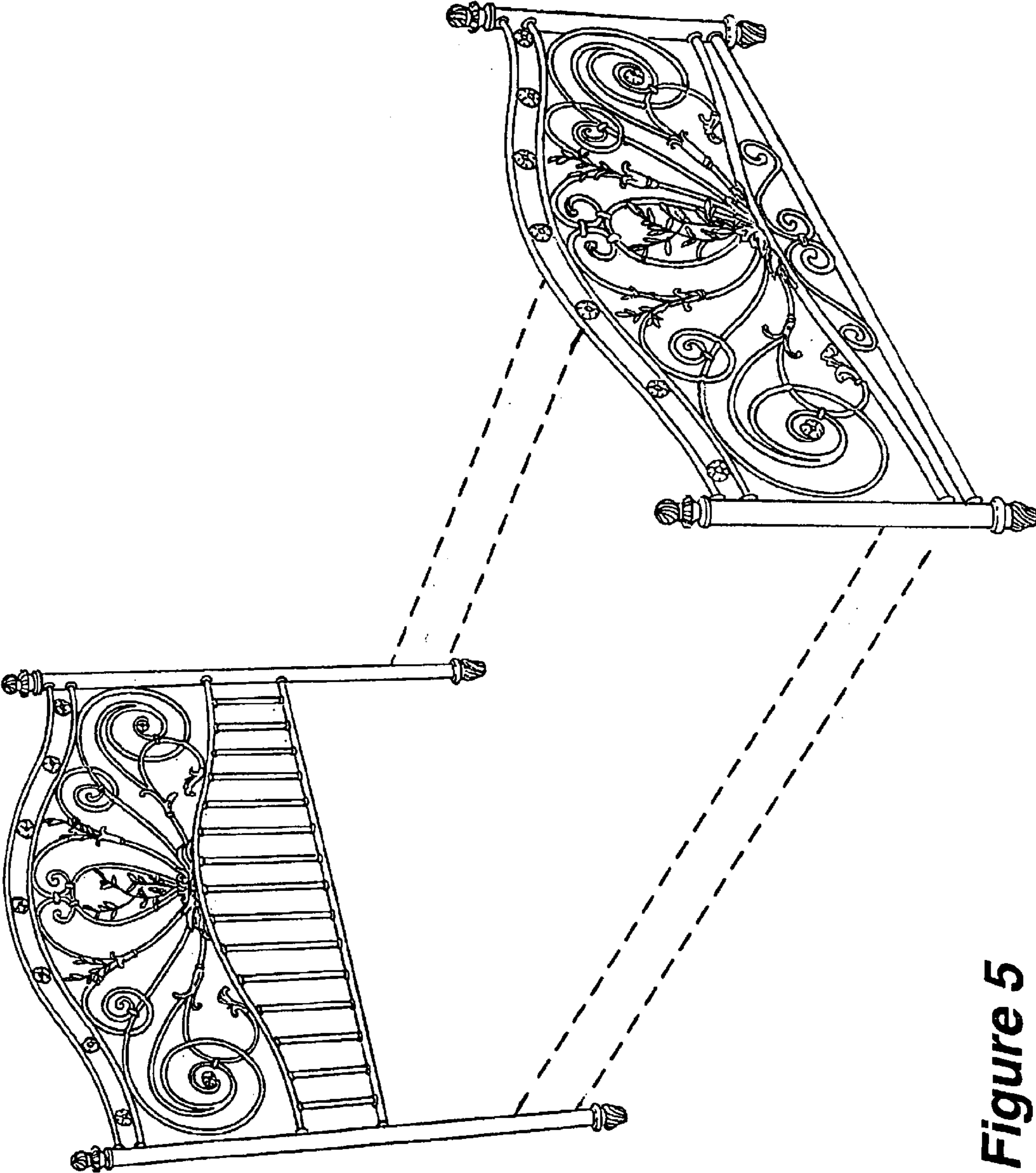
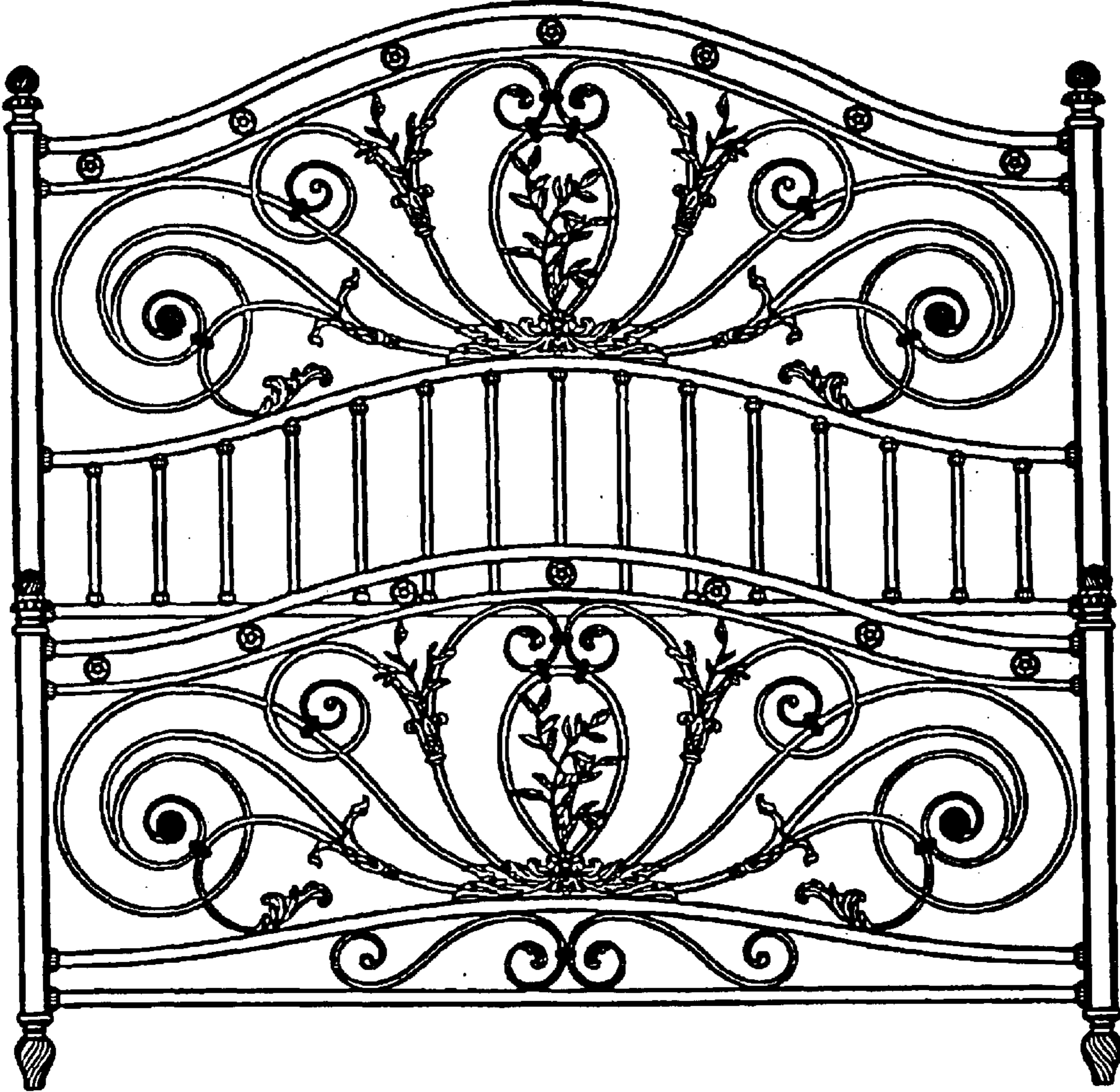
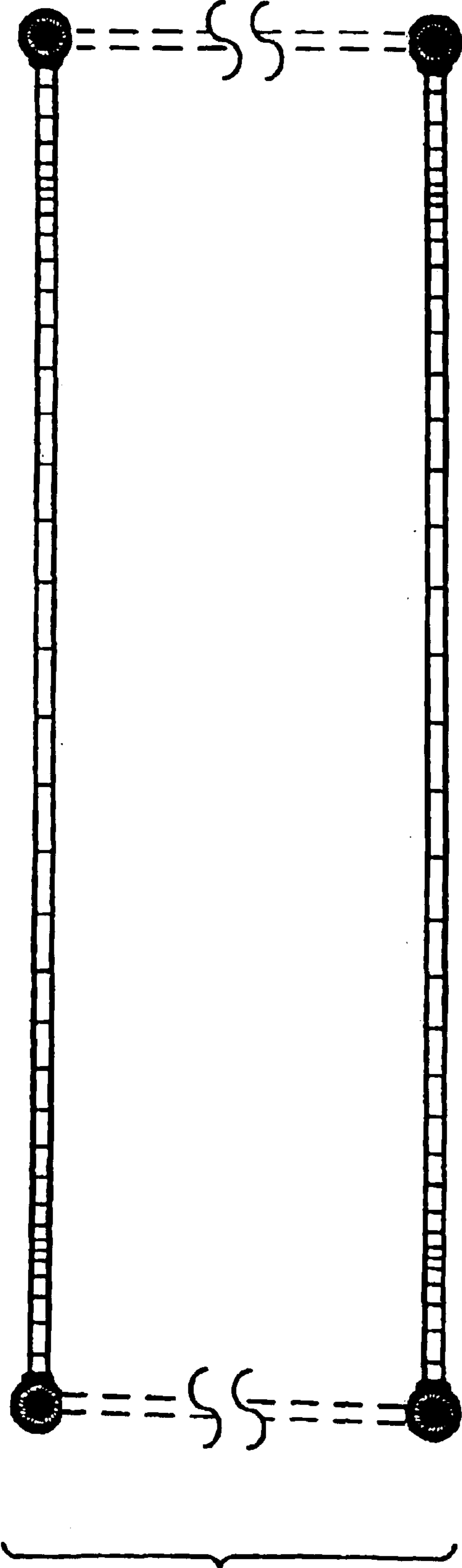


Figure 5

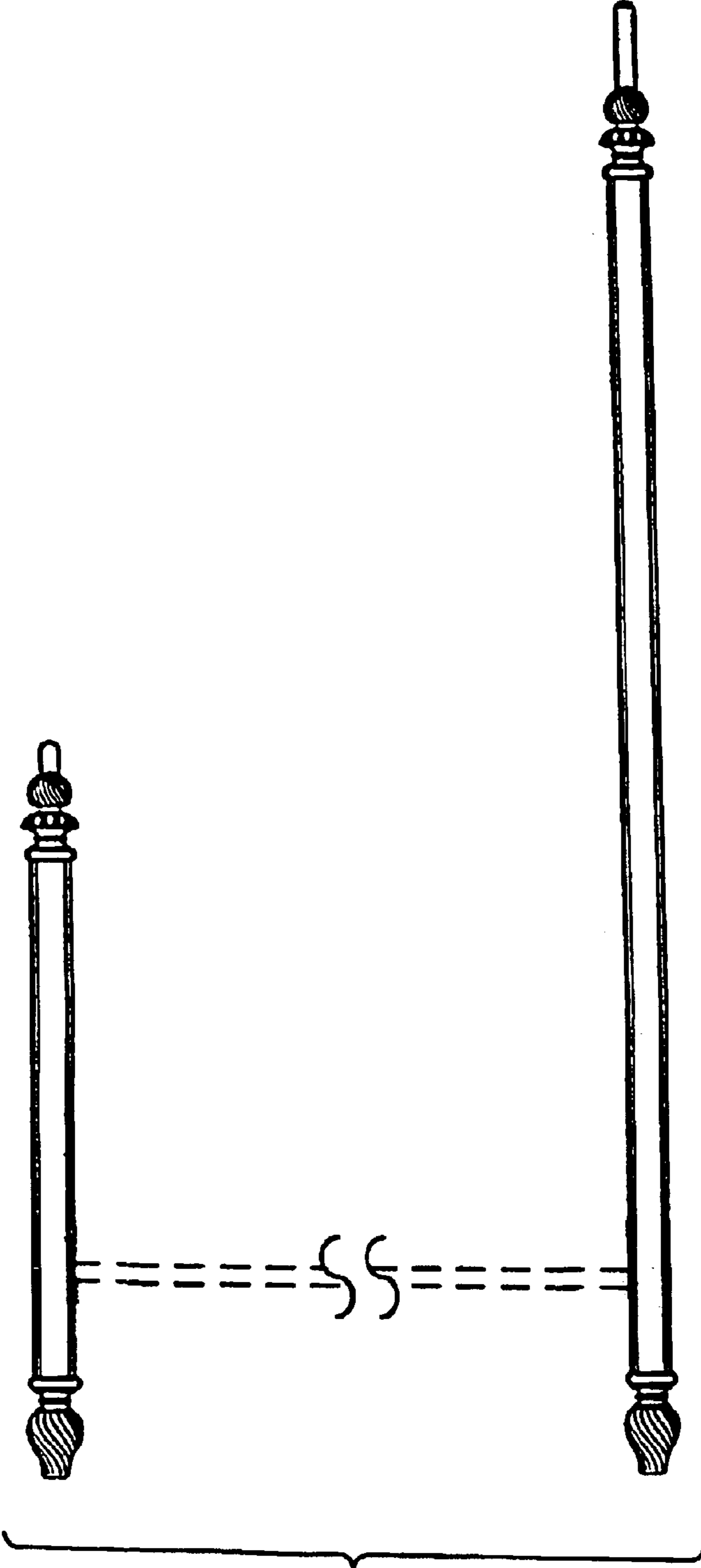


**Figure 6**



**Figure 7**





**Figure 8**