

US00D491739S1

(12) **United States Design Patent**  
**Pappas**

(10) **Patent No.:** **US D491,739 S**

(45) **Date of Patent:** **\*\* Jun. 22, 2004**

(54) **BENCH**

(76) **Inventor:** **Mark Pappas**, P.O. Box 2458, Rancho Mirage, CA (US) 92270-1087

(\*\*) **Term:** **14 Years**

(21) **Appl. No.:** **29/176,275**

(22) **Filed:** **Feb. 18, 2003**

(51) **LOC (7) Cl. .... 06-01**

(52) **U.S. Cl. .... D6/381; D6/364**

(58) **Field of Search .... D6/334, 335, 336, D6/356, 364, 370, 371, 373, 379, 380, 381, 500, 501, 502; 5/12.1; 297/232**

(56) **References Cited**

**U.S. PATENT DOCUMENTS**

D256,192 S	*	8/1980	Lofton	.....	D6/370
D349,818 S	*	8/1994	Noll	.....	D6/344
D364,967 S	*	12/1995	Longaberger et al.	.....	D6/371
D448,192 S	*	9/2001	Kane	.....	D6/375
D451,296 S	*	12/2001	Stewart	.....	D6/370
D455,919 S	*	4/2002	Stewart	.....	D6/500
D456,164 S	*	4/2002	Vanderiet et al.	.....	D6/380
D470,669 S	*	2/2003	Stewart	.....	D6/370

**OTHER PUBLICATIONS**

Wabash Valley 1998 Plastics Coated Furniture Catalog, Bench P2546 p. 30 and Bench CL 7031 p. 68.\*  
Sweet's General Building and Renovation, 1993 catalog, vol. 2, 02870, Style T-200 Benc on p. 3 and Style MH-B Bench on p. 11.\*

LFI Landscape Forms catalog, 02870 LFI, Jan. 1989, 3 seat Bench on cover and Bench PK3005-BS-72, XD-E on p. 6.\*

\* cited by examiner

*Primary Examiner*—James Gandy

*Assistant Examiner*—Elizabeth Albert

(74) *Attorney, Agent, or Firm*—Thomas M. Freiburger

(57) **CLAIM**

The ornamental design for a bench, substantially as shown and described.

**DESCRIPTION**

FIG. 1 is a perspective view of a bench showing my new design;

FIG. 2 is a right side view thereof, the left side view being a mirror image thereof;

FIG. 3 is a top plan view thereof;

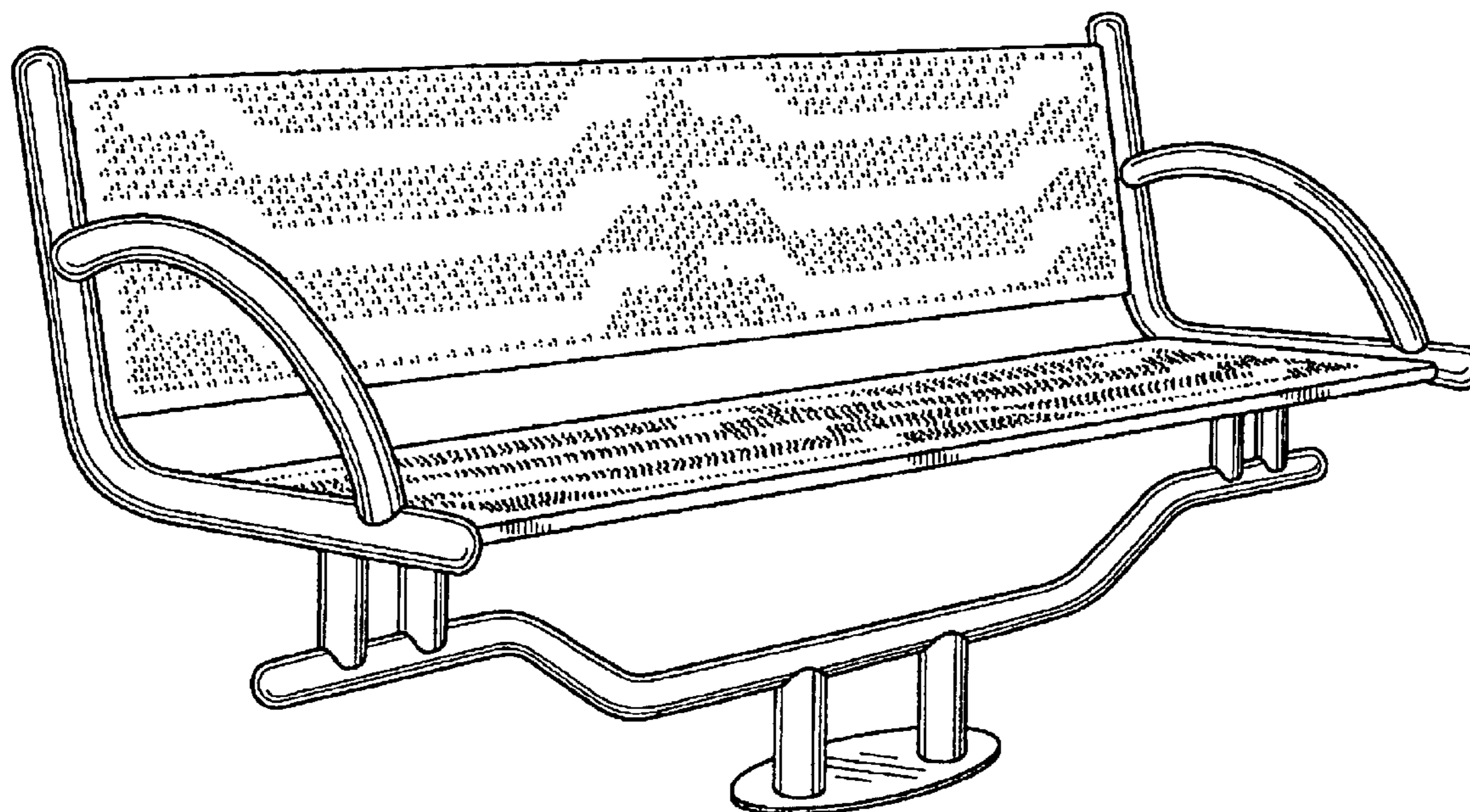
FIG. 4 is a front elevation view thereof;

FIG. 5 is a bottom plan view thereof; and,

FIG. 6 is a back elevation view thereof.

The broken lines showing environment in the drawings are for illustrative purposes only and form no part of the claimed design.

**1 Claim, 3 Drawing Sheets**



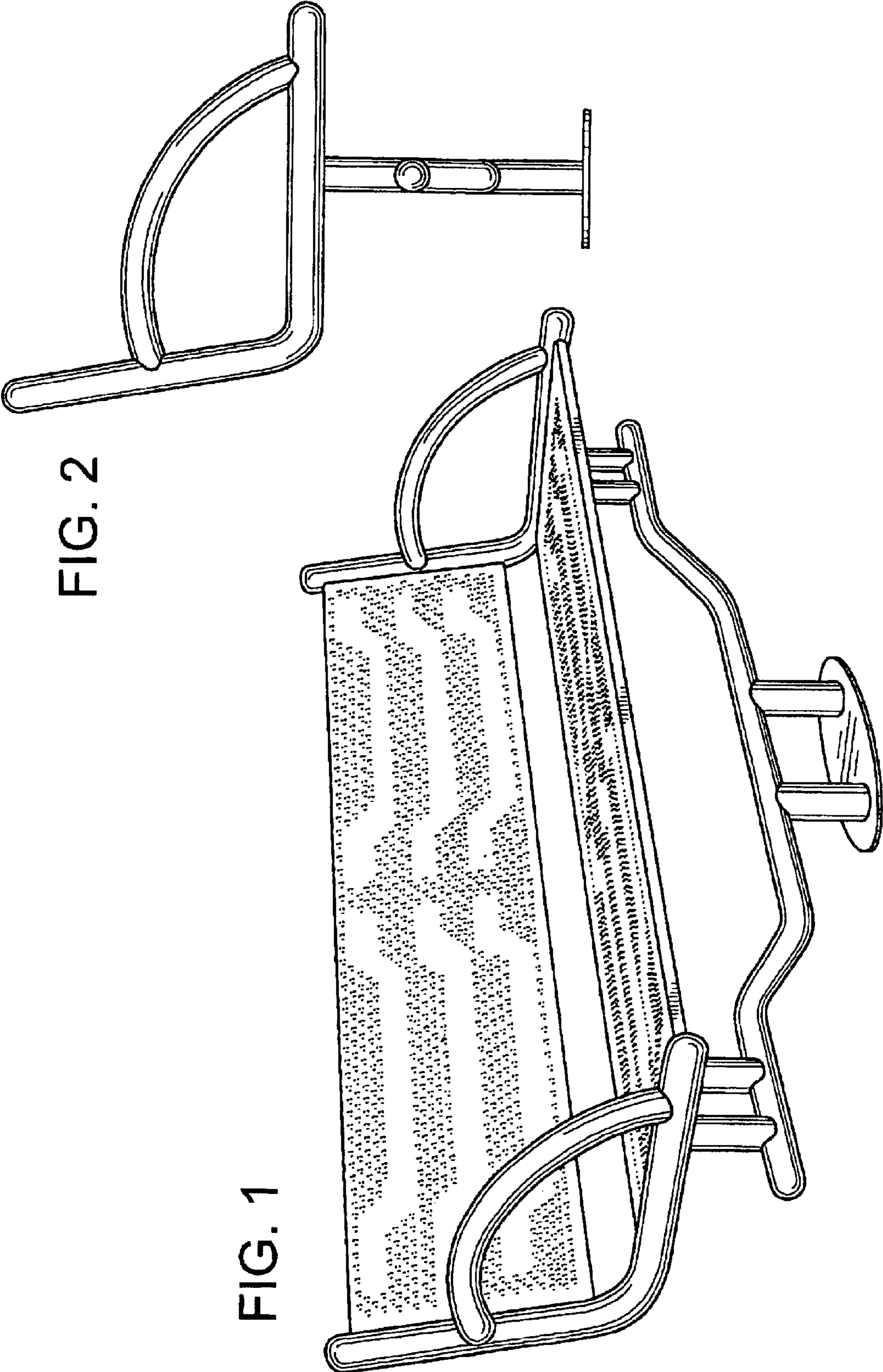


FIG. 2

FIG. 1

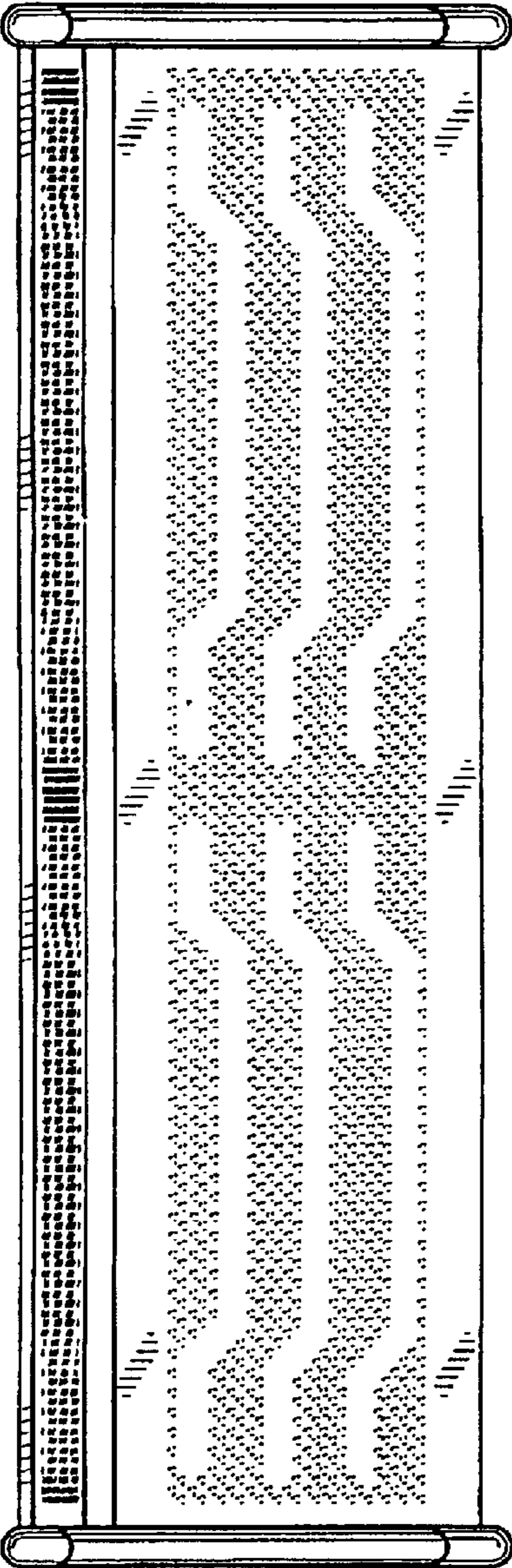


FIG. 3

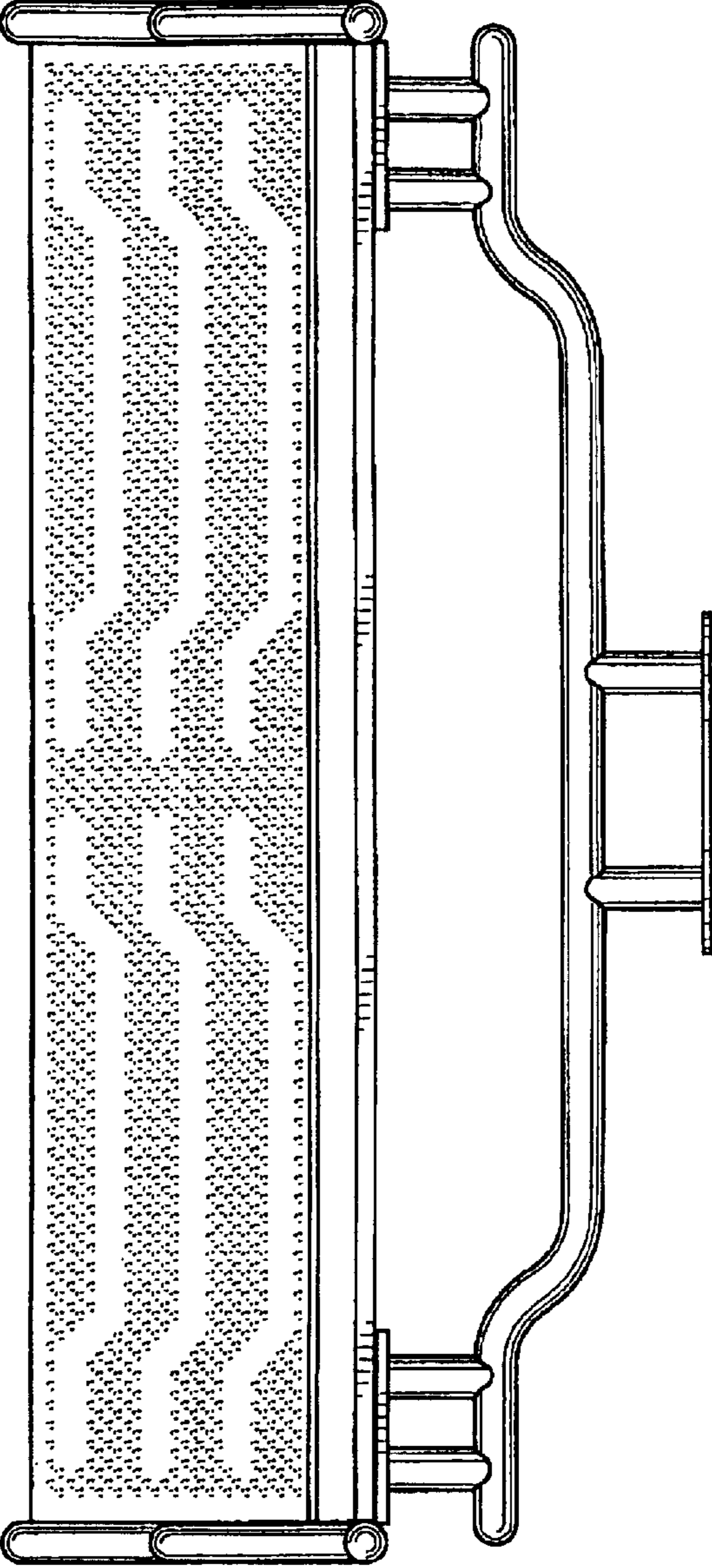


FIG. 4

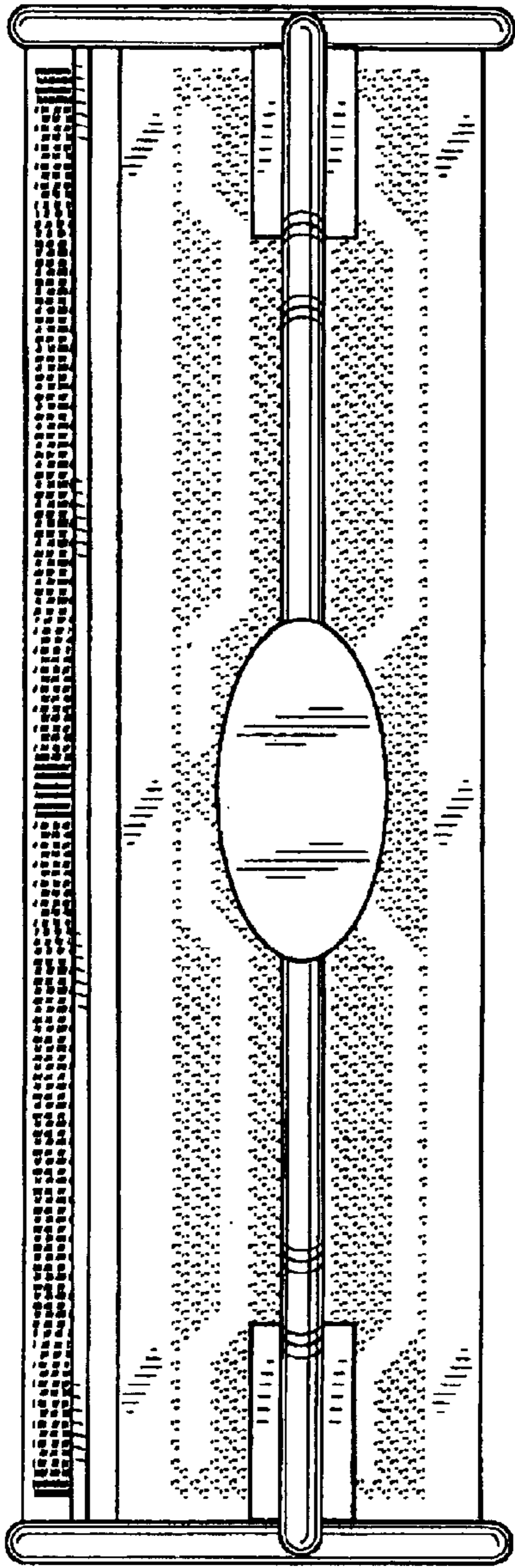


FIG. 5

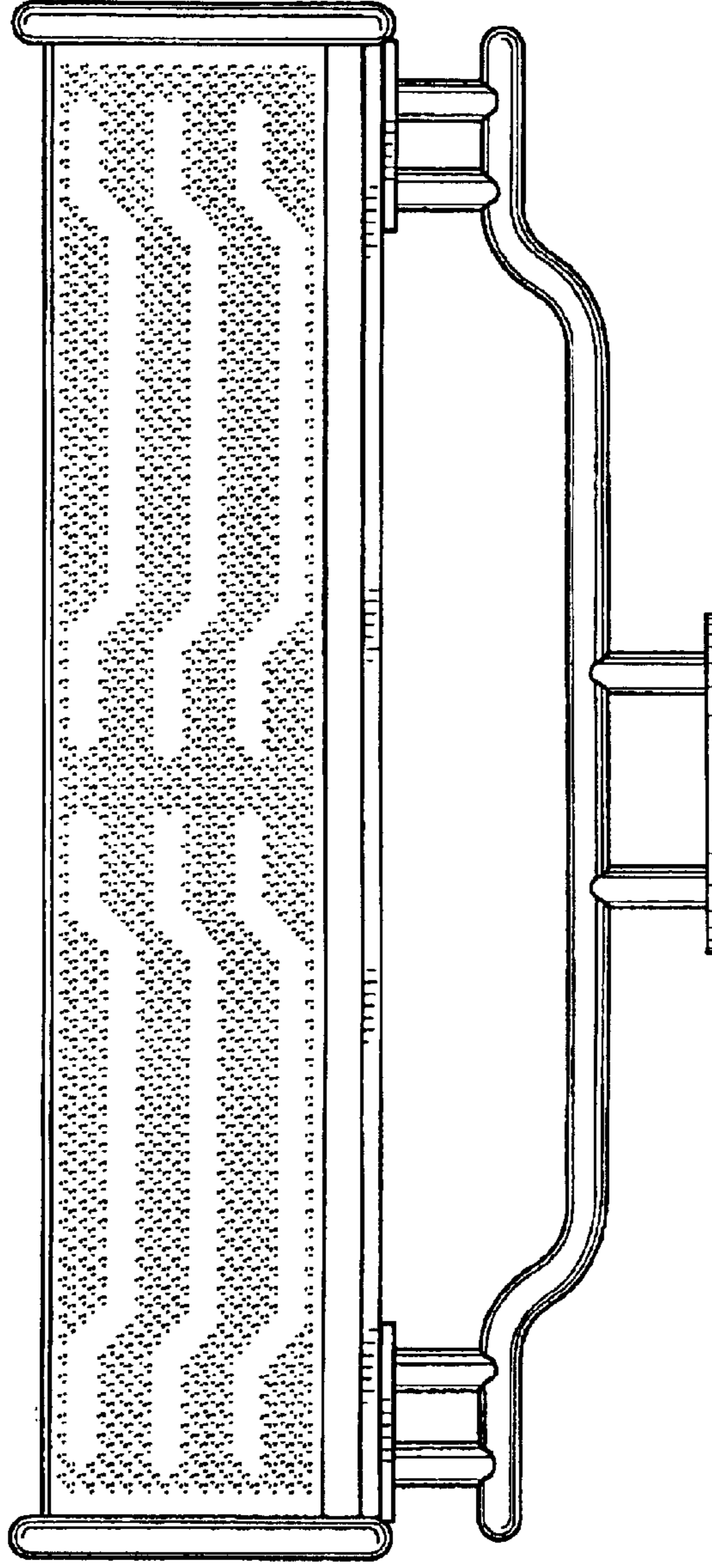


FIG. 6