

US00D491735S1

(12) **United States Design Patent**
Kamiki

(10) **Patent No.:** **US D491,735 S**
(45) **Date of Patent:** **** Jun. 22, 2004**

(54) **BACKBOARD OF SAFETY SEAT FOR CHILDREN**

(76) Inventor: **Hiroshi Kamiki**, 11-1, Honmachi 5-chome, Toyonaka-shi Osaka (JP), 560-0021

(**) Term: **14 Years**

(21) Appl. No.: **29/170,200**

(22) Filed: **Nov. 4, 2002**

(30) **Foreign Application Priority Data**

Jun. 10, 2002 (JP) 2002-015466

(51) **LOC (7) Cl.** **06-01**

(52) **U.S. Cl.** **D6/333; D6/368**

(58) **Field of Search** D6/333, 334, 335, D6/336, 356, 368, 374, 500-502, 595, 596, 601; D3/274, 276, 295, 303; 297/183.5, 238, 250.1, 253, 255, 130, 382, 467, 484

(56) **References Cited**

U.S. PATENT DOCUMENTS

D333,737 S	*	3/1993	Adams	D6/368
5,359,154 A	*	10/1994	Tsukasa et al.	297/130
D360,308 S	*	7/1995	Smith et al.	D6/333
5,468,046 A	*	11/1995	Weber et al.	297/238
D367,367 S	*	2/1996	Bekerman	D6/336
5,639,144 A	*	6/1997	Naujokas	297/238
D391,086 S	*	2/1998	Catchings et al.	D6/356
5,868,465 A	*	2/1999	Kvalvik	297/253
5,899,534 A	*	5/1999	Gray	297/484
6,398,302 B1	*	6/2002	Freedman et al.	297/250.1
D467,085 S	*	12/2002	Kamiki	D6/333
6,601,916 B1	*	8/2003	Kamiki	297/250.1

* cited by examiner

Primary Examiner—Stacia Cadmus

Assistant Examiner—Mimosa De

(74) *Attorney, Agent, or Firm*—Armstrong, Kratz, Quintos Hanson & Brooks, LLP.

(57) **CLAIM**

The ornamental design for a the backboard of safety seat for children, as shown and described.

DESCRIPTION

FIG. 1 is a front elevational view of the backboard of safety seat showing my new design;

FIG. 2 is a rear elevational view thereof;

FIG. 3 is a top plan view thereof;

FIG. 4 is a bottom view thereof;

FIG. 5 is a right view thereof, the left side view being a mirror image thereof;

FIG. 6 is a cross-sectional view taken along line 6—6 of FIG. 1;

FIG. 7 is a perspective view of the backboard of safety seat in use;

FIG. 8 is a rear perspective view of the backboard in use;

FIG. 9 is a perspective view of the backboard in use;

FIG. 10 is a rear perspective view of the backboard in use;

FIG. 11 is a rear perspective view of the backboard;

FIG. 12 is a perspective view of the backboard in use in a folded state;

FIG. 13 is a perspective view of the backboard in use in an open state;

FIG. 14 is a perspective view of the backboard in use;

FIG. 15 is an enlarged cross-sectional view taken along line 15—15 of FIG. 1; and,

FIG. 16 is an enlarged cross-sectional view taken along line 16—16 of FIG. 1.

The broken lines shown in the drawings are for illustrative purposes only and form no part of the claimed design.

1 Claim, 11 Drawing Sheets

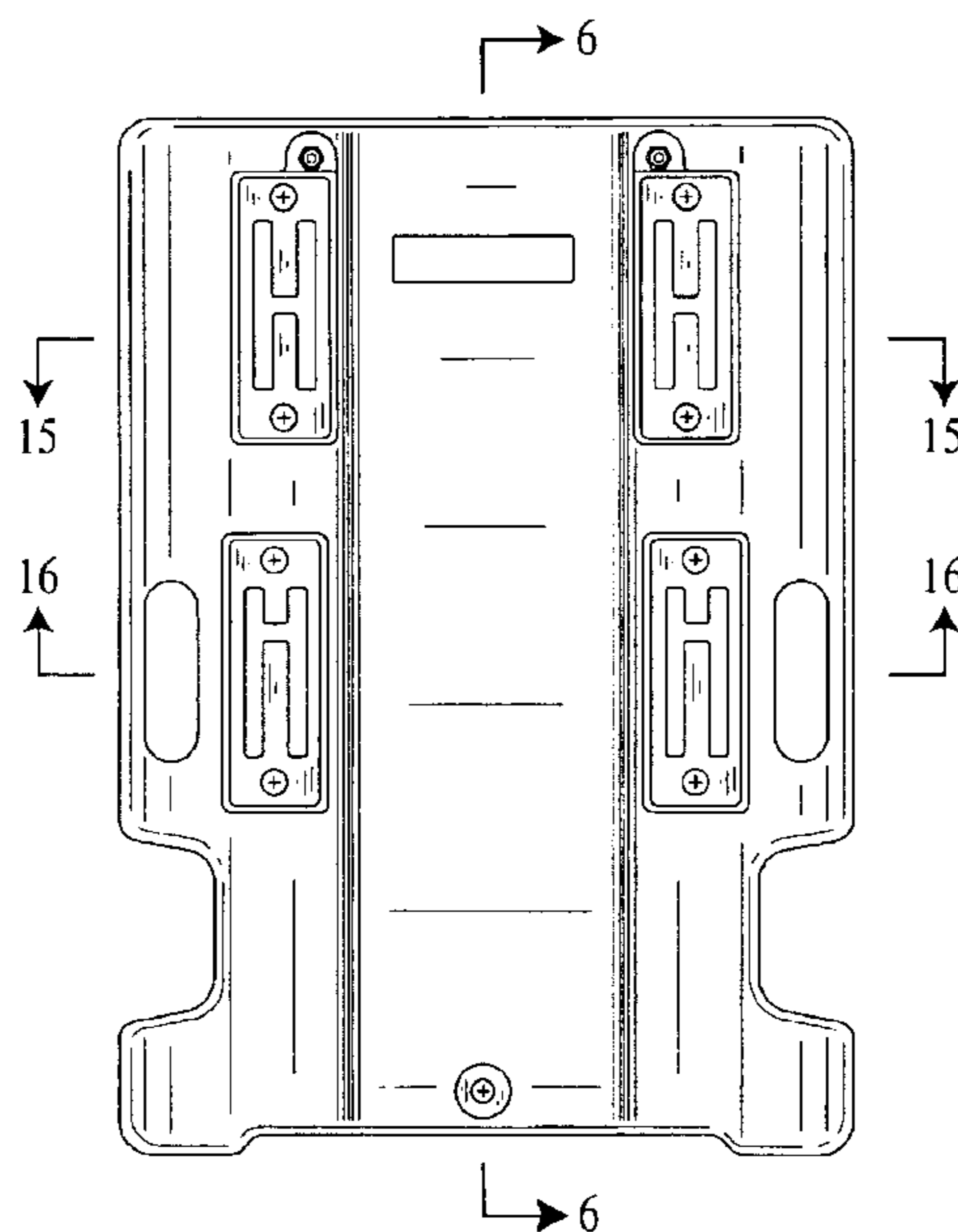


FIG. 1

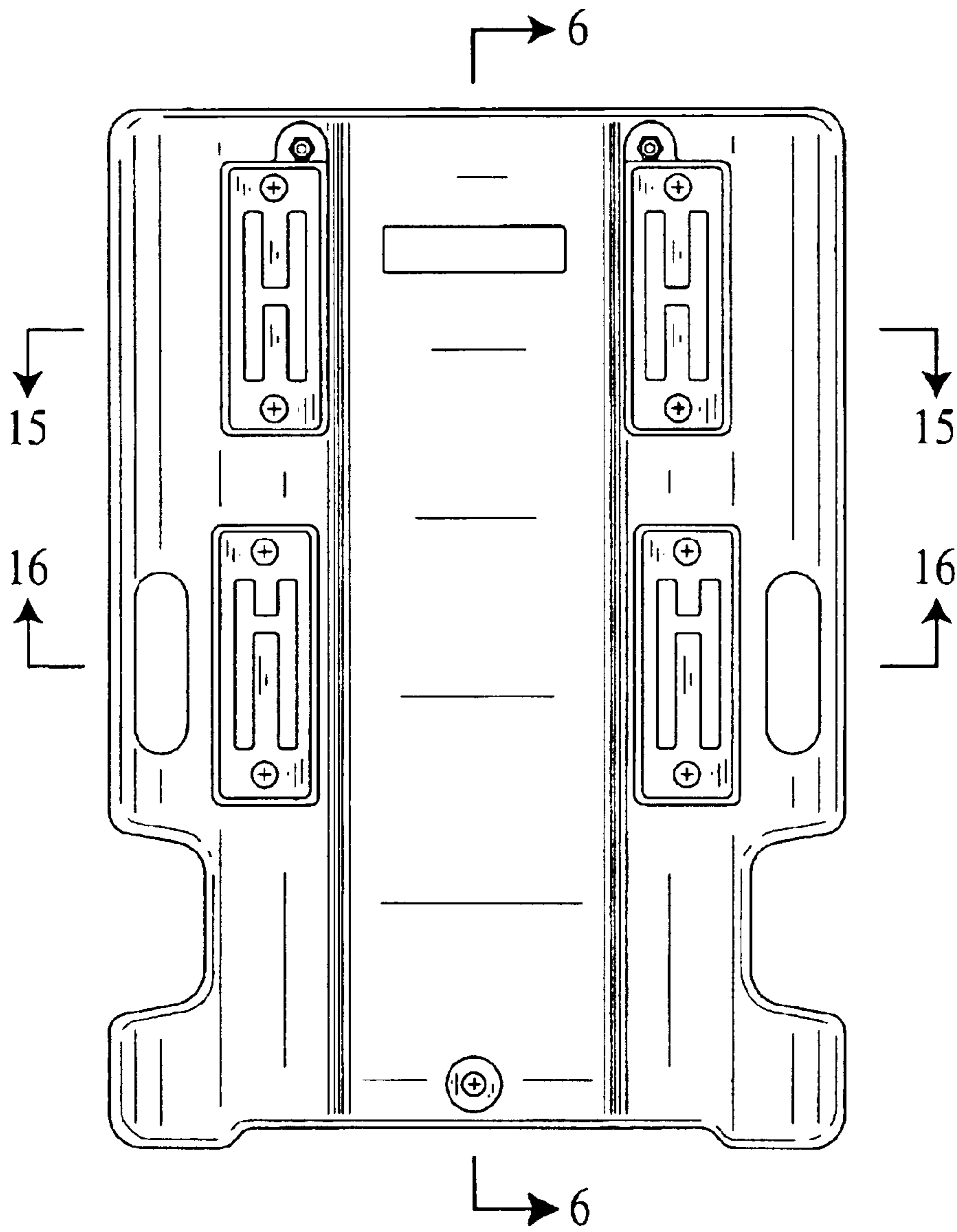


FIG.2

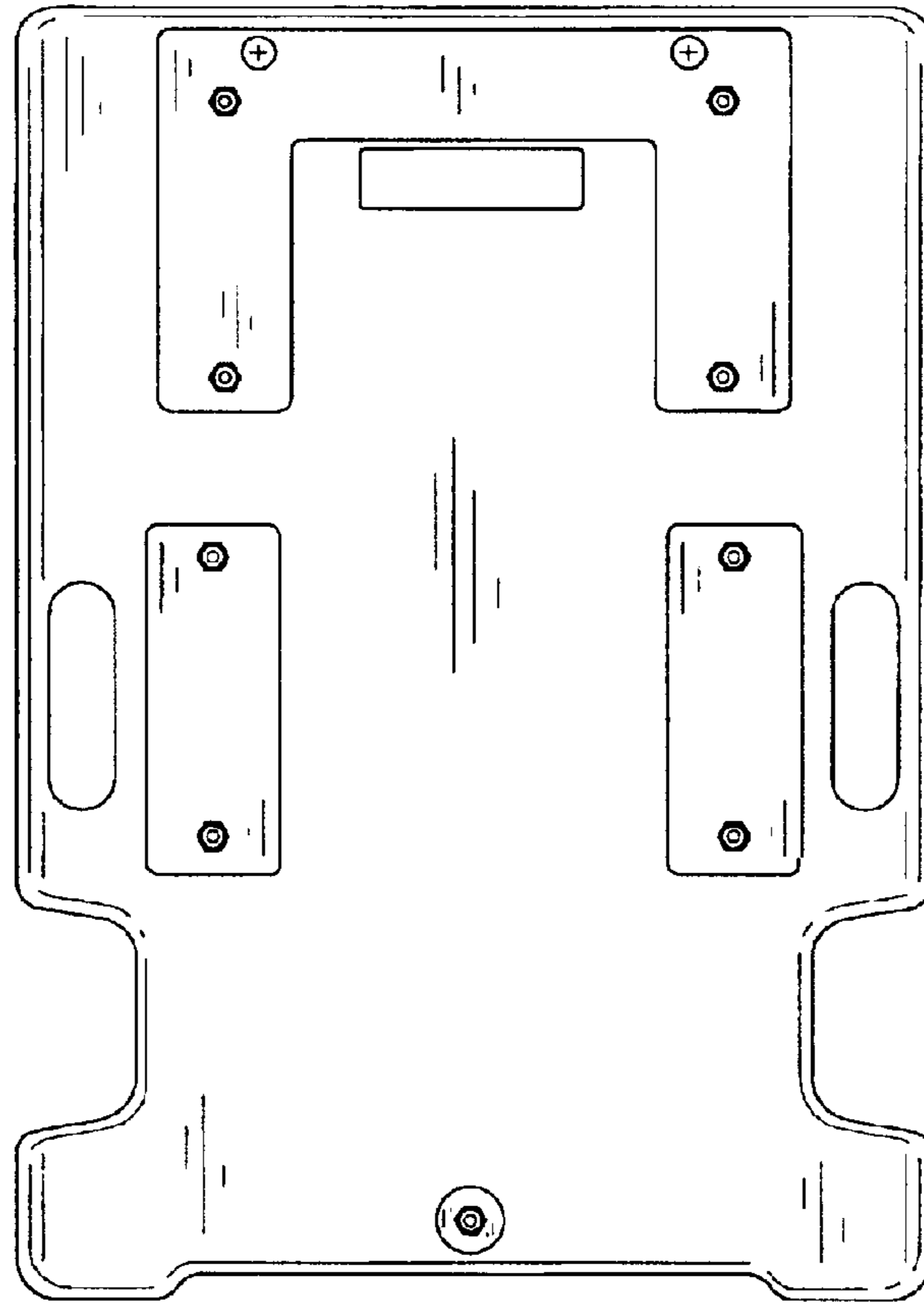


FIG.3

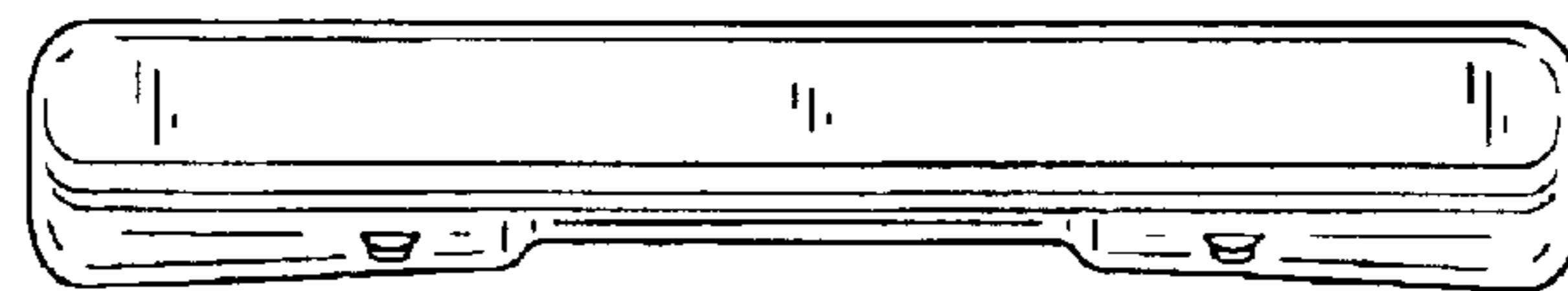


FIG.4



FIG.5

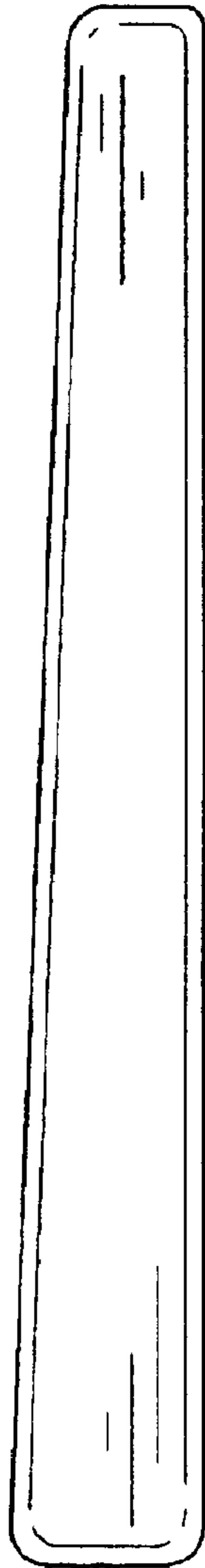


FIG.6

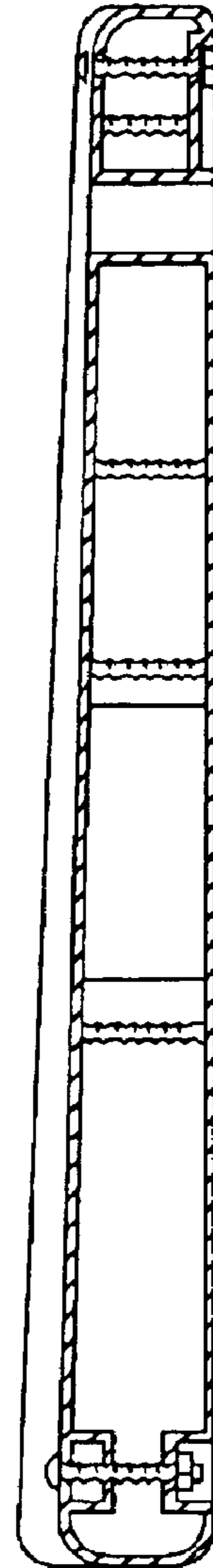


FIG.7

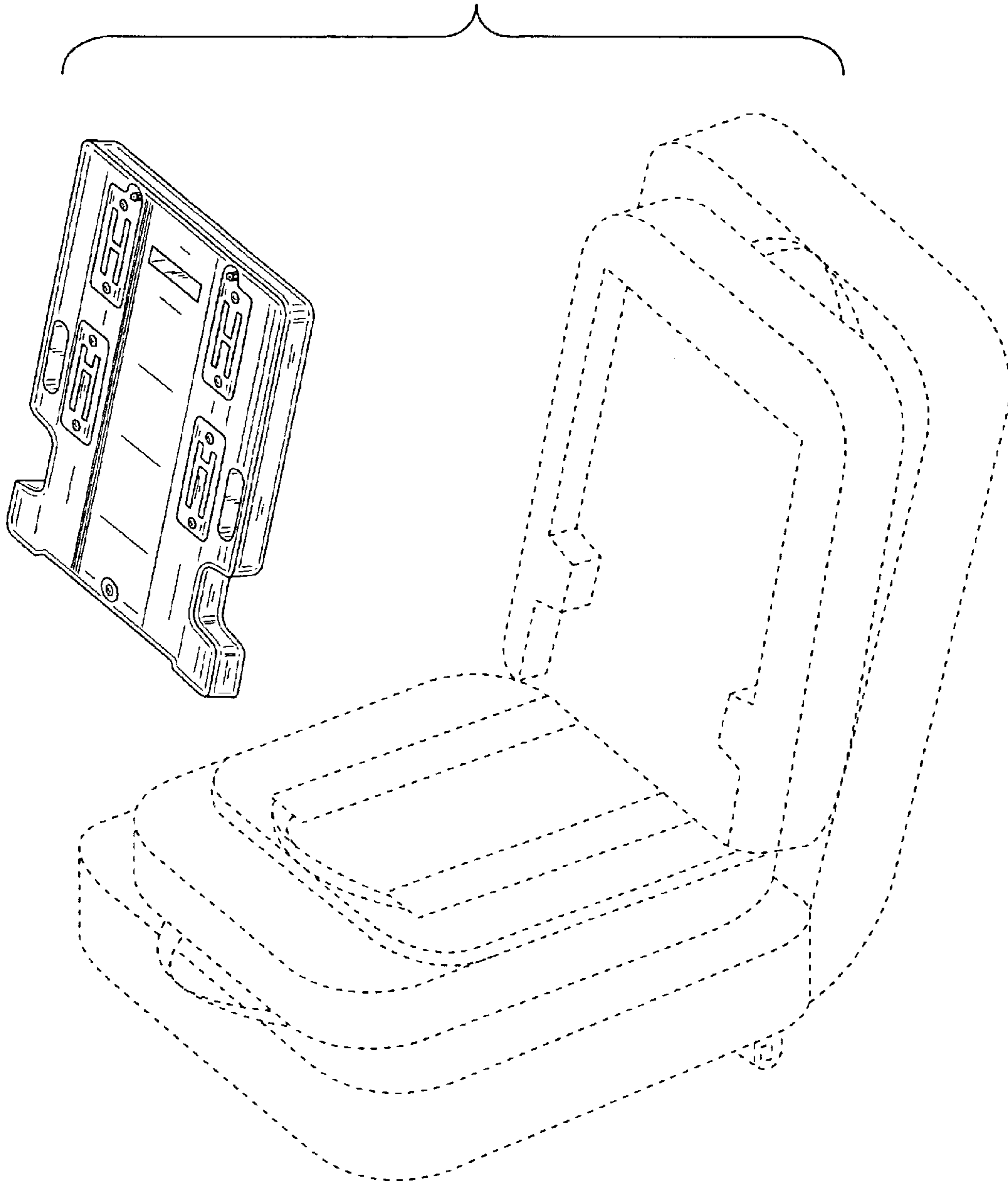


FIG.8

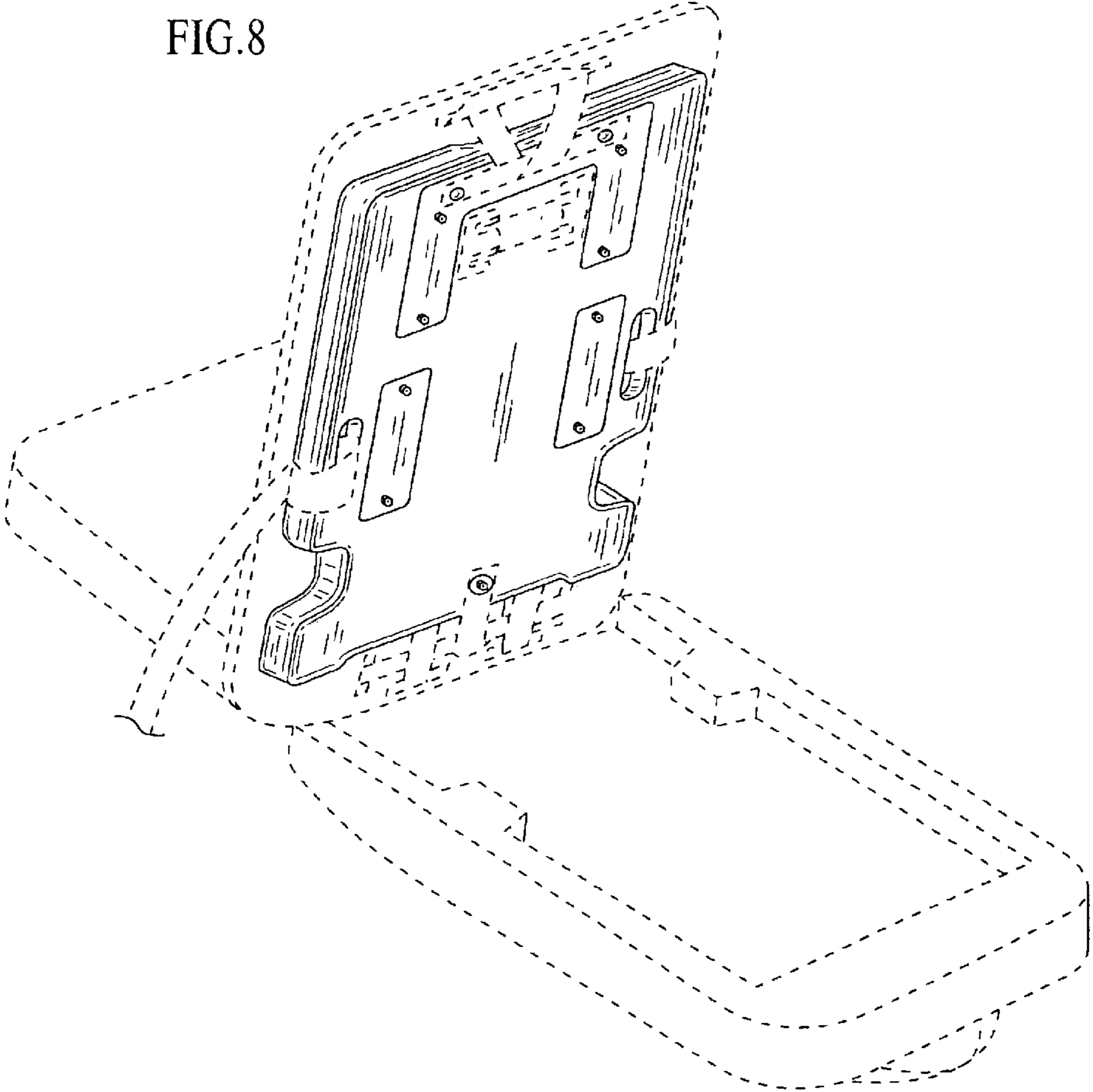


FIG.9

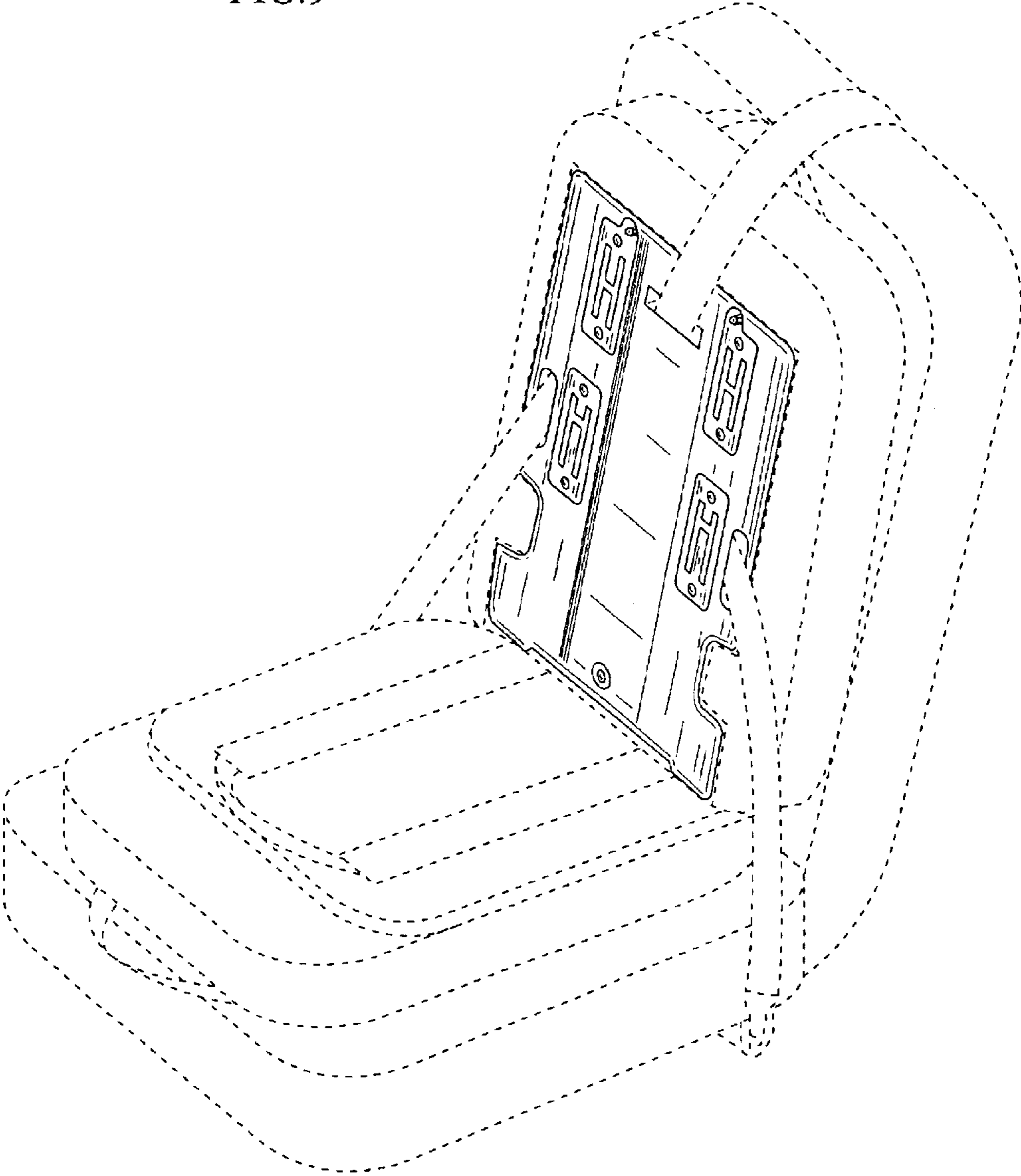


FIG.10

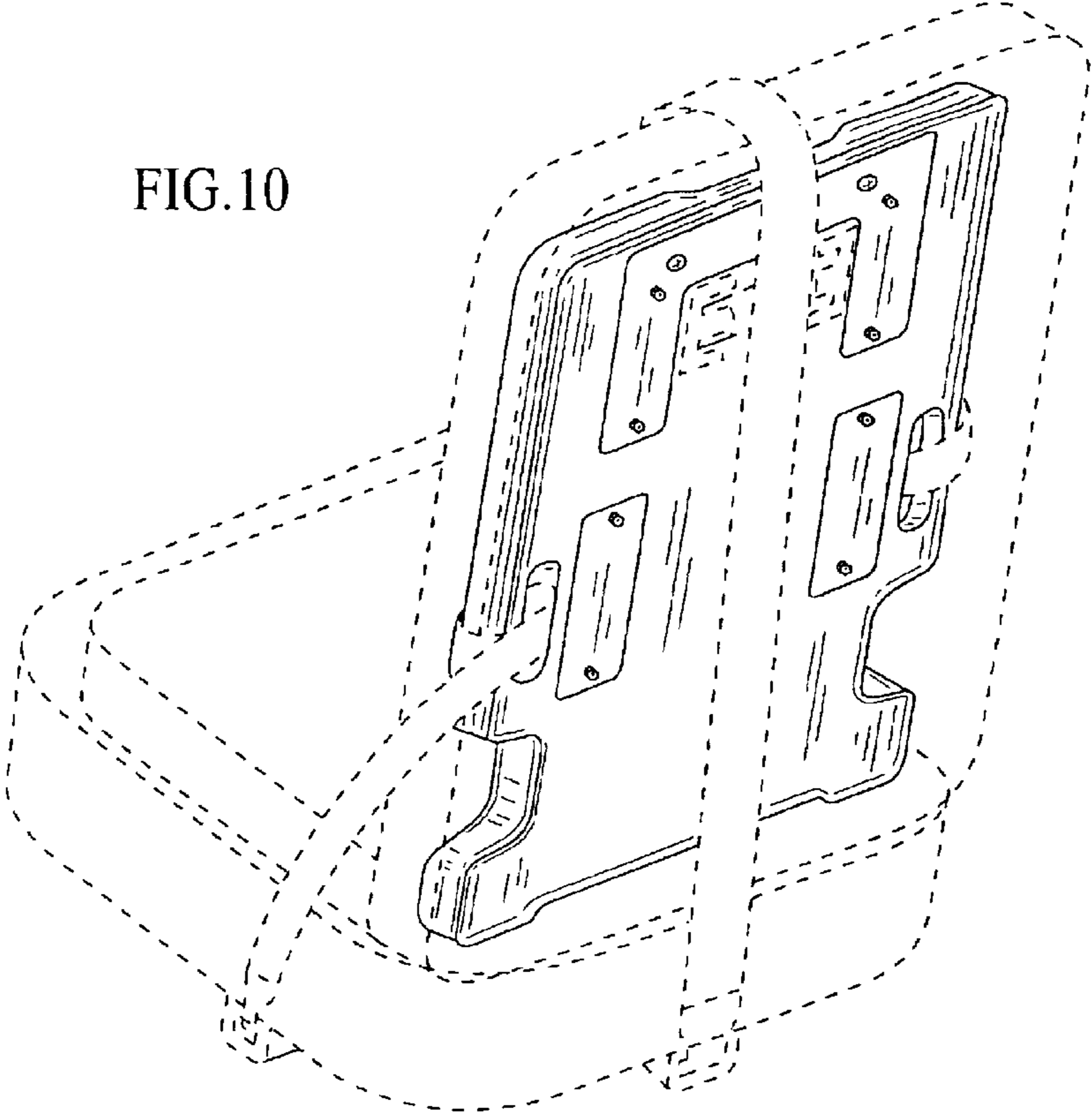


FIG.11

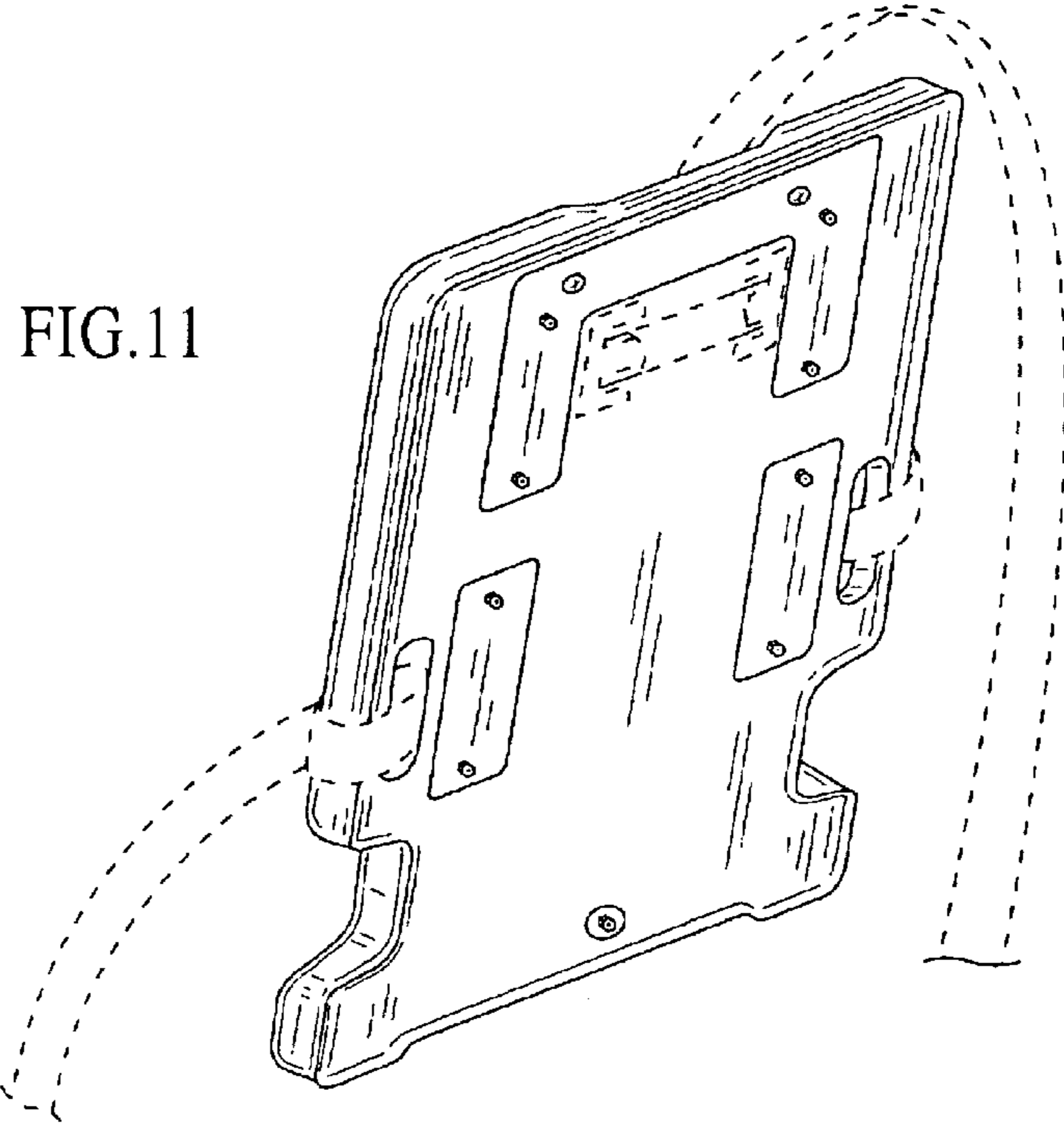


FIG.12

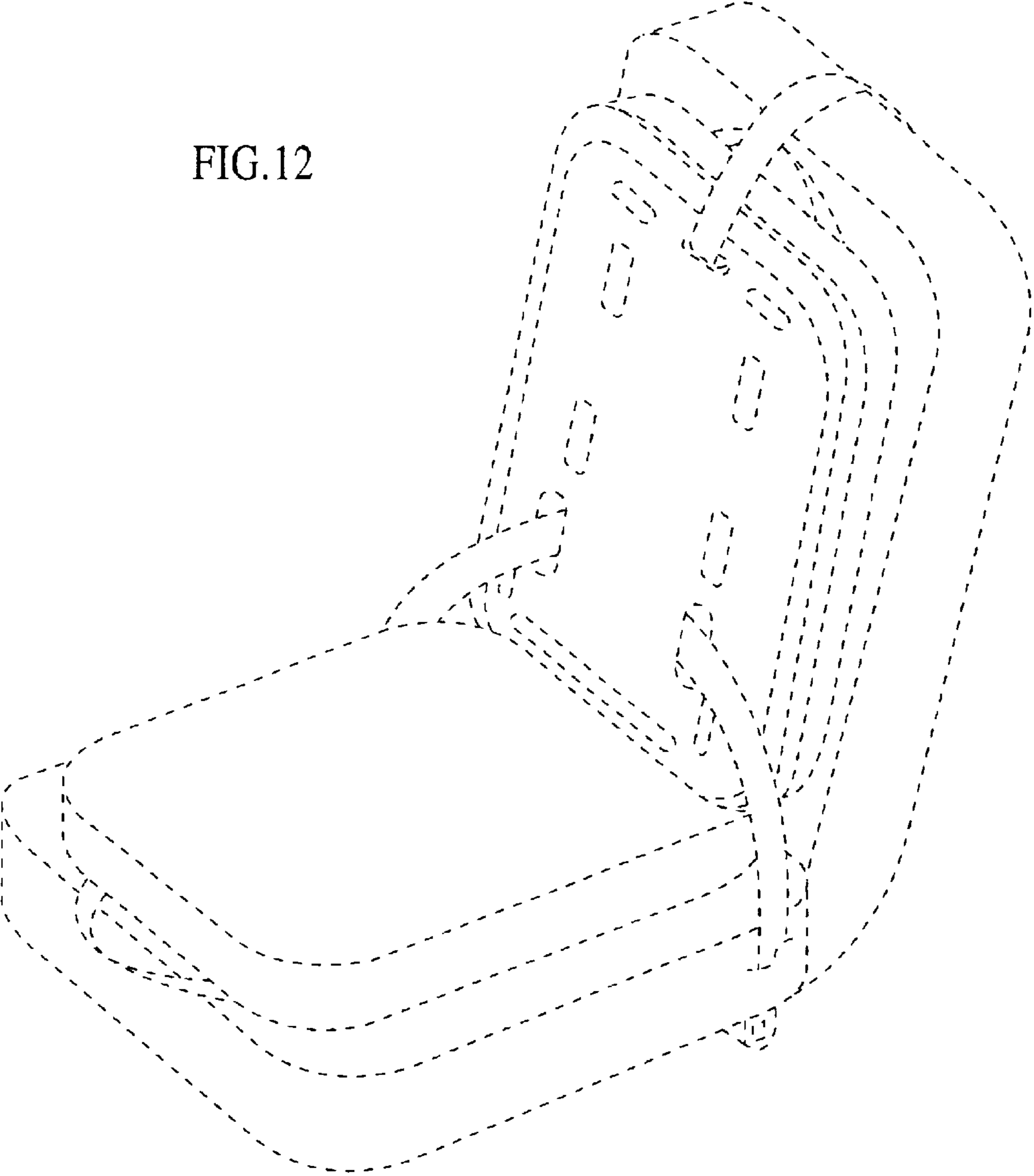


FIG.13

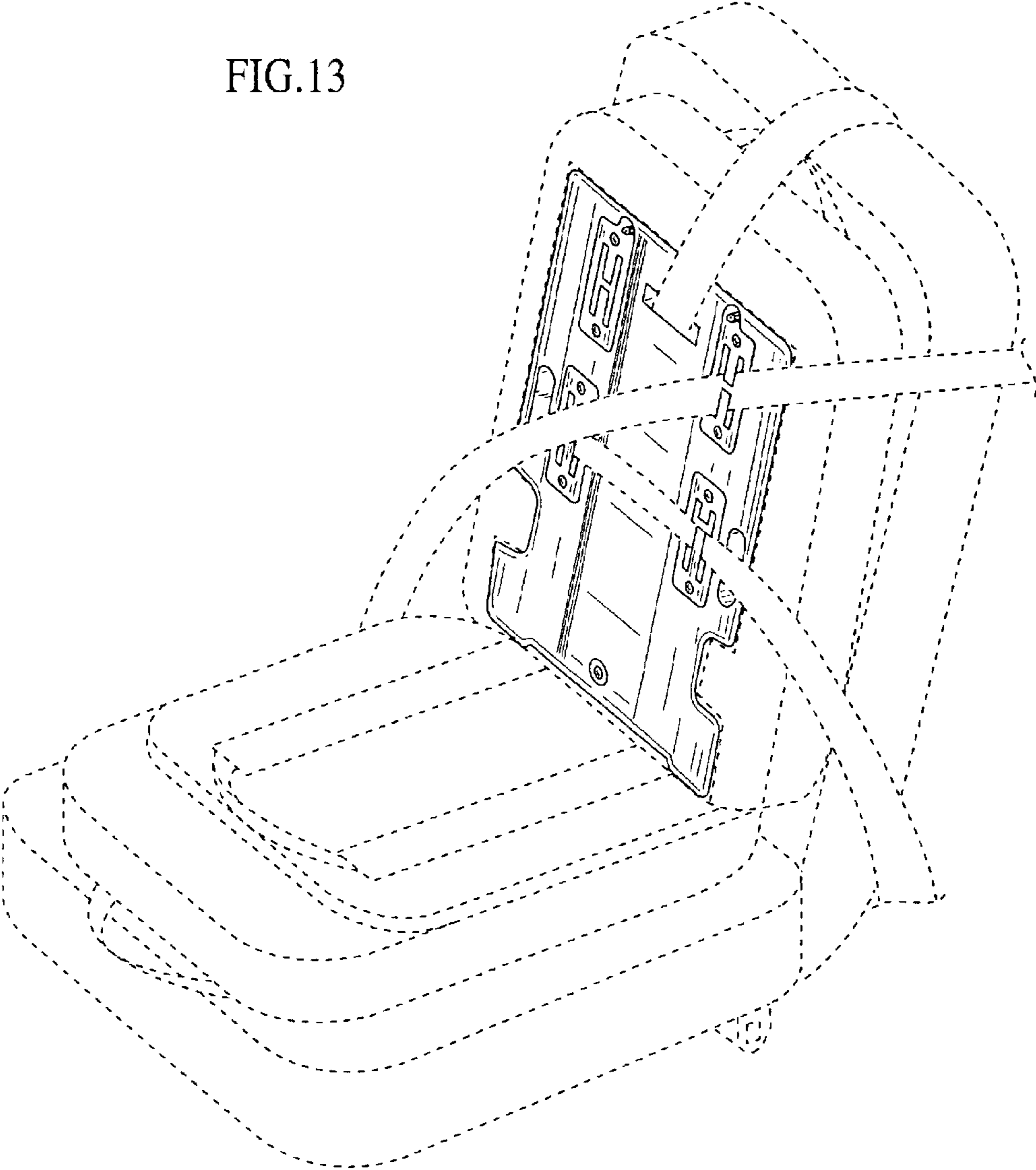


FIG.14

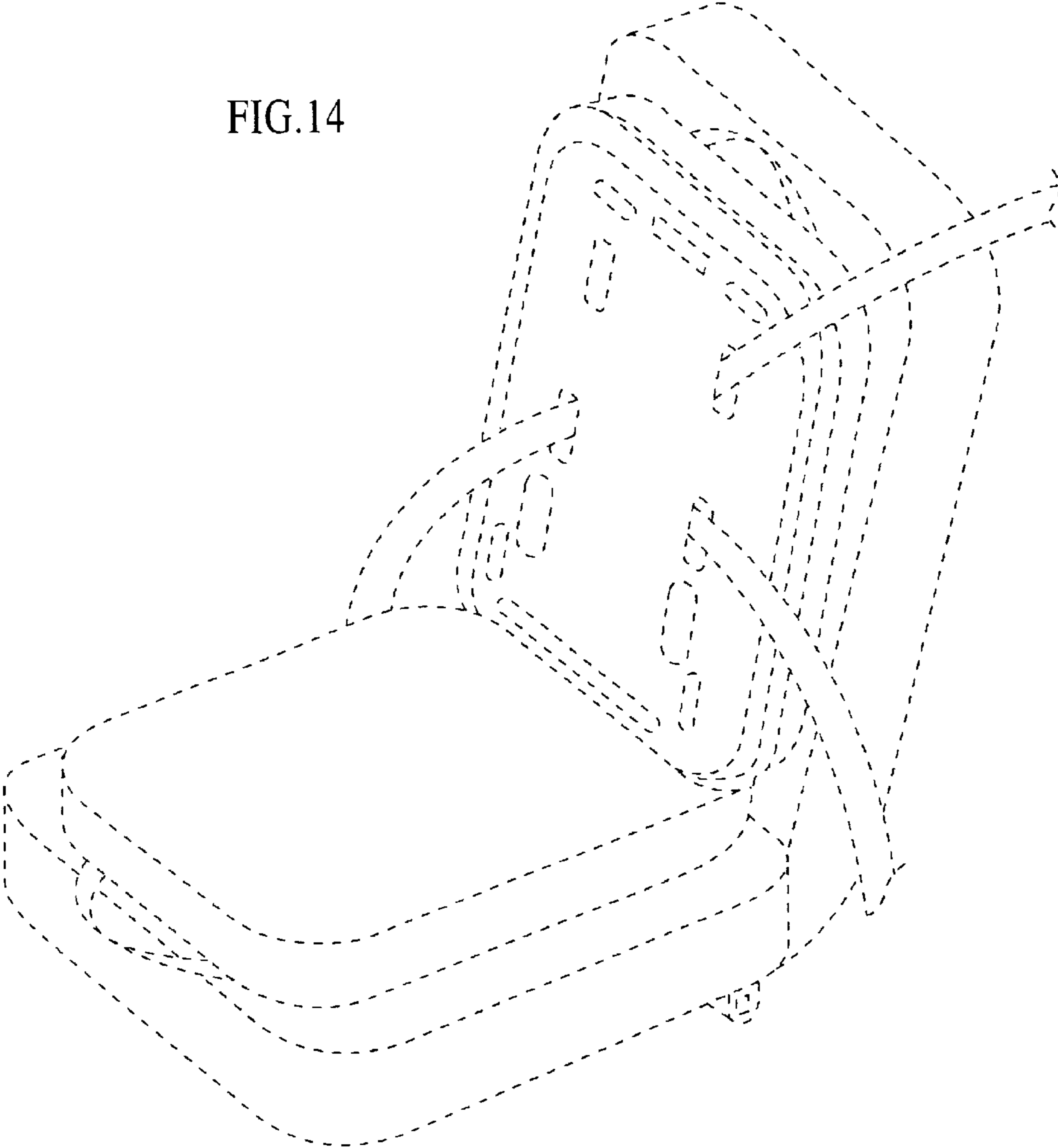


FIG. 15

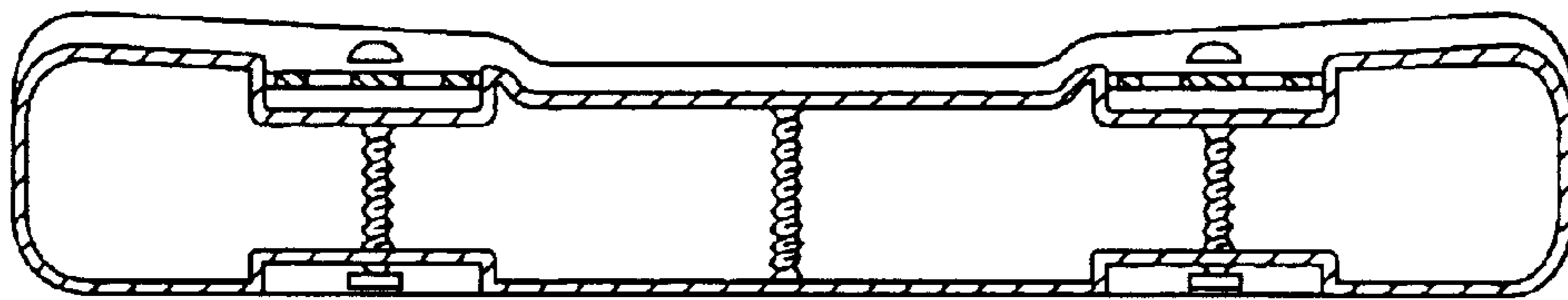


FIG. 16

