

US00D491734S1

(12) **United States Design Patent**
Quintal

(10) **Patent No.:** **US D491,734 S**
(45) **Date of Patent:** **** Jun. 22, 2004**

(54) **WORKSTATION DIVIDER PANEL**

D458,040 S * 6/2002 Stannis et al. D6/332
D458,463 S * 6/2002 Citterio D6/332

(75) Inventor: **Alain Quintal**, 4745 Road 125,
Rawdon, Quebec (CA), J0K 1S0

* cited by examiner

(73) Assignee: **Alain Quintal**, St-Léonard (CA)

Primary Examiner—Cathron Brooks

(74) *Attorney, Agent, or Firm*—Brouillette Kosie Prince

(**) Term: **14 Years**

(57) **CLAIM**

(21) Appl. No.: **29/168,133**

The ornamental design for a workstation divider panel, as shown.

(22) Filed: **Sep. 27, 2002**

DESCRIPTION

(30) **Foreign Application Priority Data**

Mar. 28, 2002 (CA) 99011

(51) **LOC (7) Cl.** **06-04**

(52) **U.S. Cl.** **D6/332**

(58) **Field of Search** D6/332, 329, 396–398,
D6/400, 418, 432, 447, 491, 492–509, 511;
D25/53, 58; 160/351, 352, 353; 52/22.7,
238.1, 239, 220.1

FIG. 1 is a perspective view of the workstation divider panel;

FIG. 2 is a front view of the workstation divider panel;

FIG. 3 is a top view of the workstation divider panel;

FIG. 4 is a side view of the workstation divider panel;

FIG. 5 is a perspective view of an additional embodiment of the workstation divider panel of FIG. 1;

FIG. 6 is a front view of the embodiment of the workstation divider panel shown in FIG. 5;

FIG. 7 is a top view of the embodiment of the workstation divider panel shown in FIG. 5; and,

FIG. 8 is a side view of the embodiment of the workstation divider panel shown in FIG. 5.

(56) **References Cited**

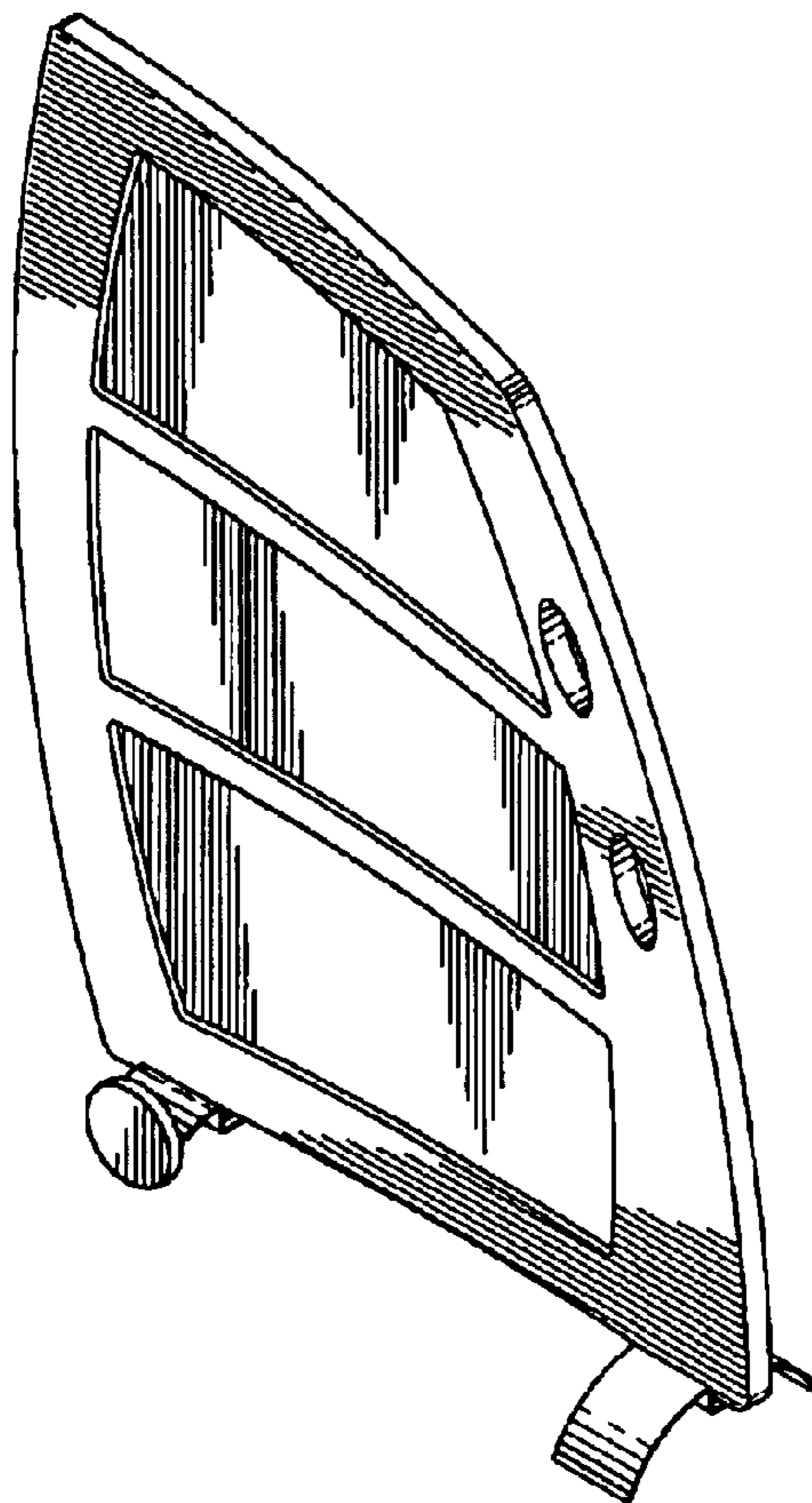
U.S. PATENT DOCUMENTS

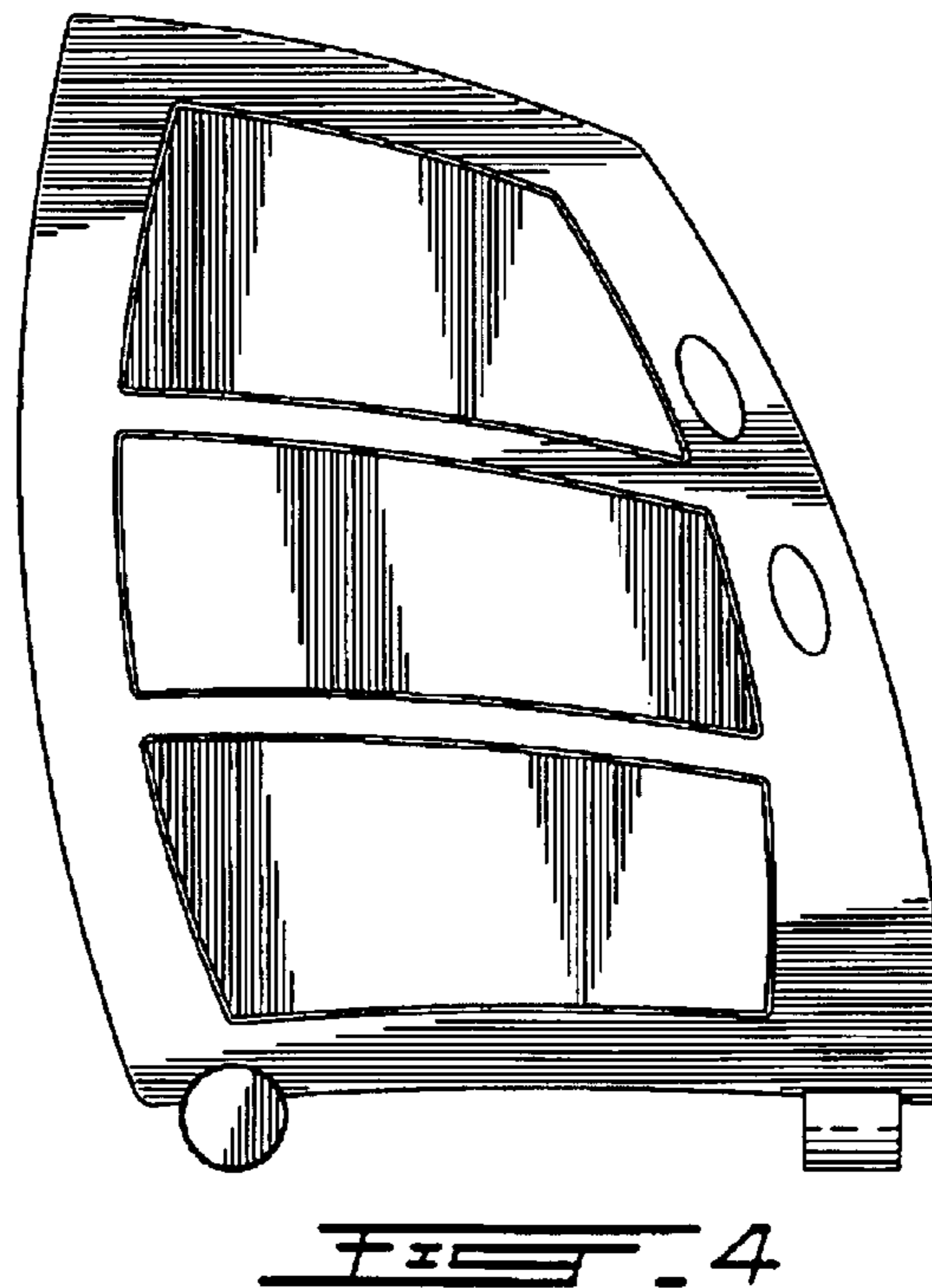
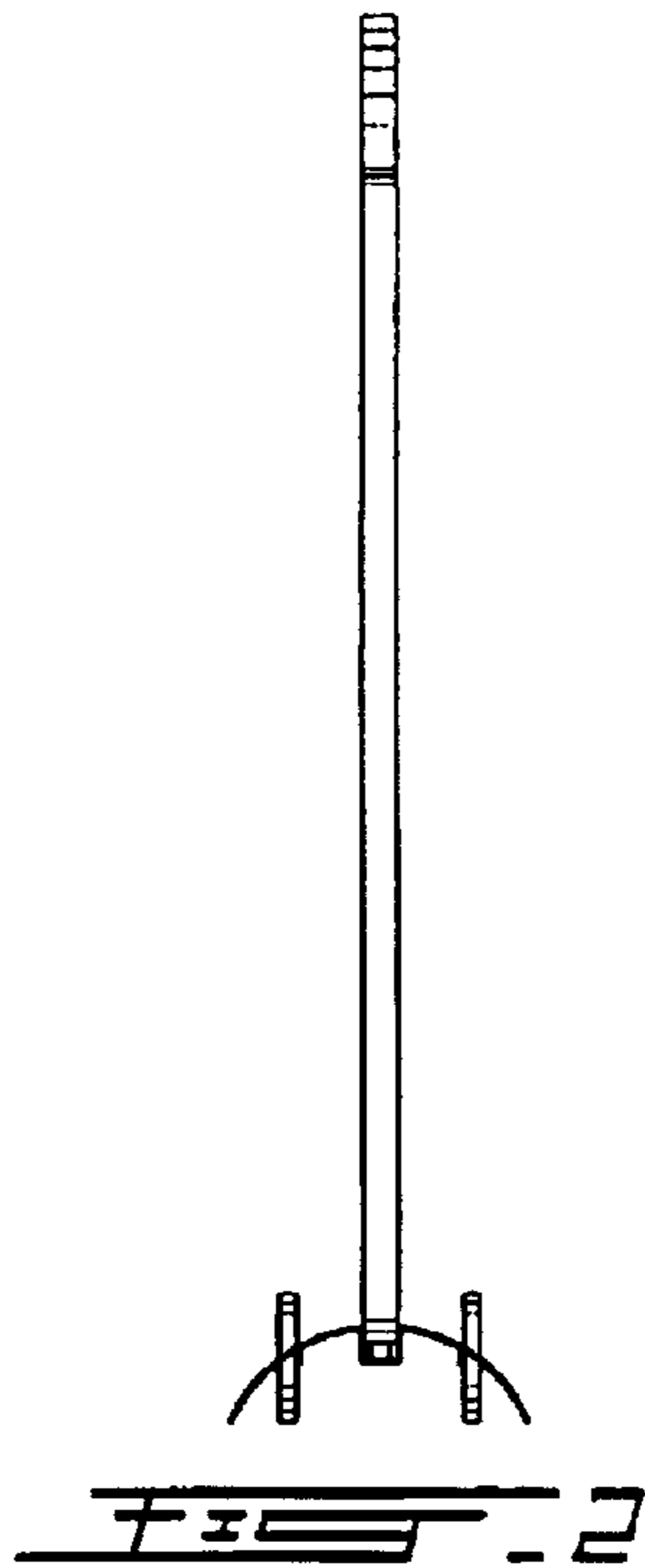
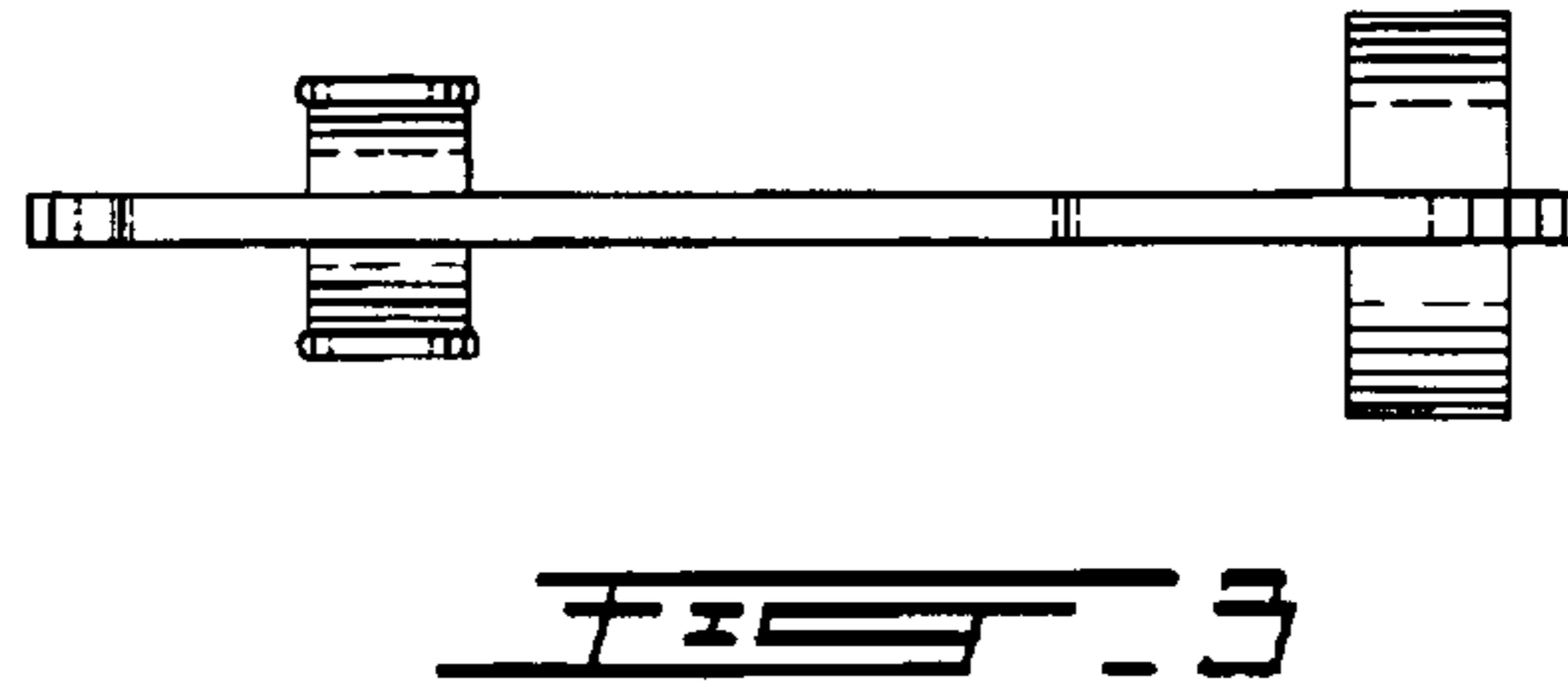
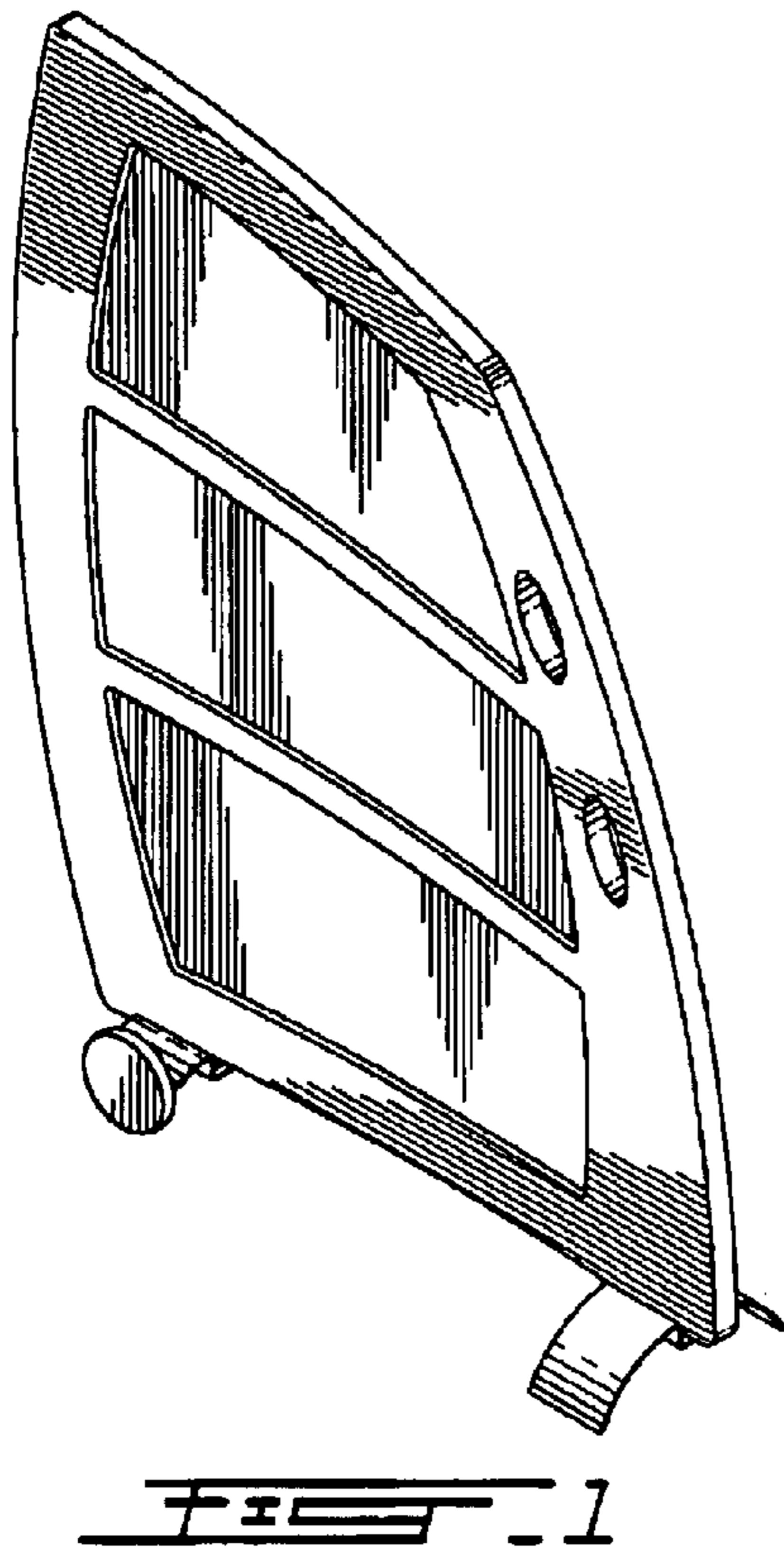
6,061,972 A * 5/2000 Thorp 160/351 X

6,213,191 B1 * 4/2001 Nitzsche 160/351

D457,737 S * 5/2002 Citterio D6/332

1 Claim, 2 Drawing Sheets





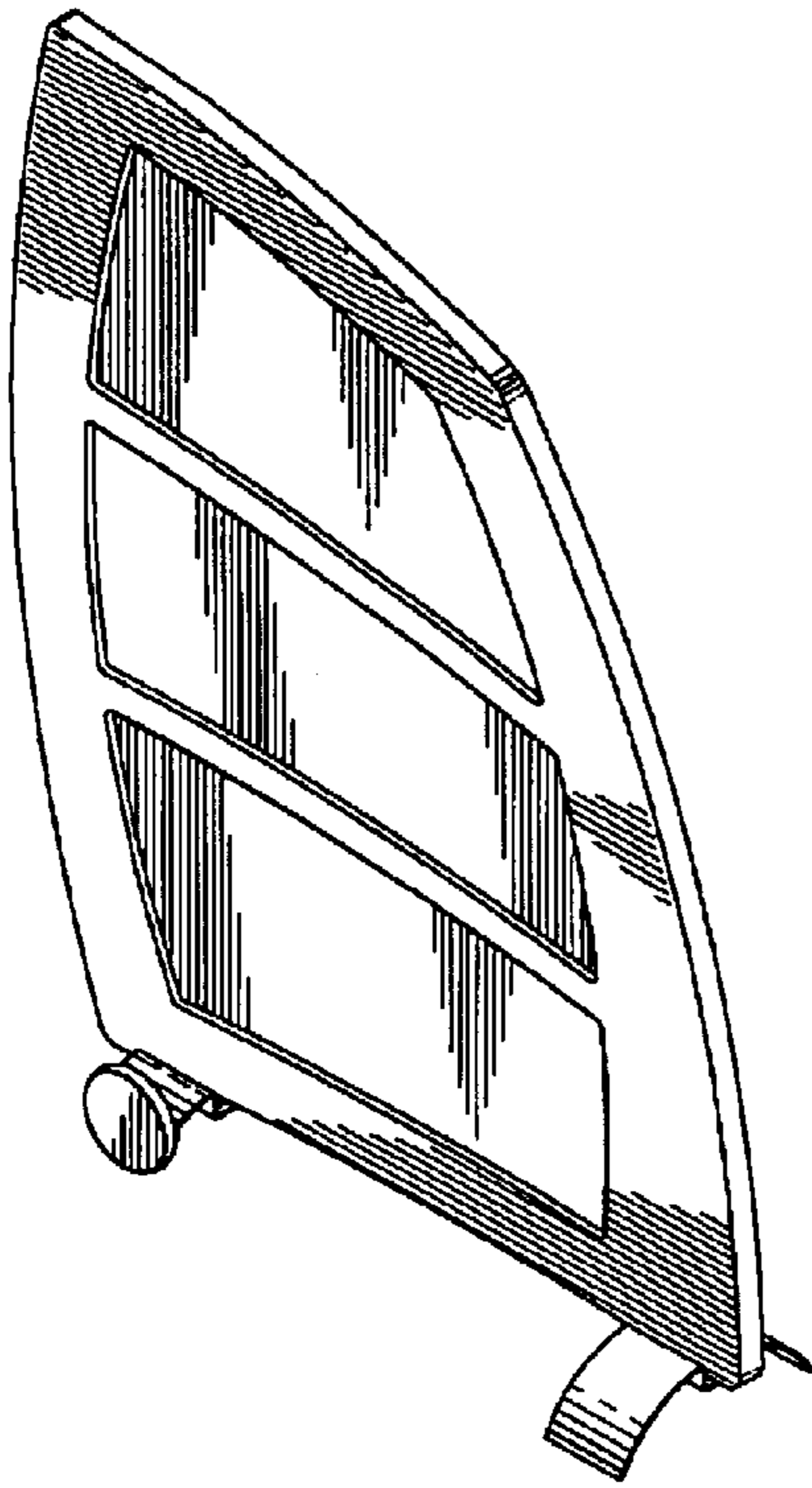


FIG. 5

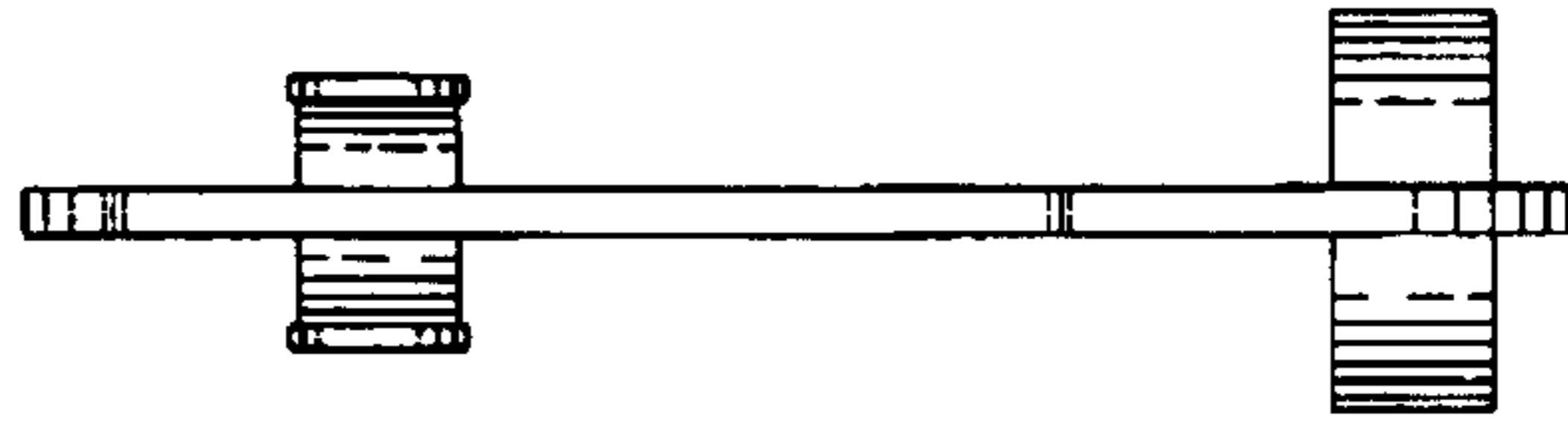


FIG. 7

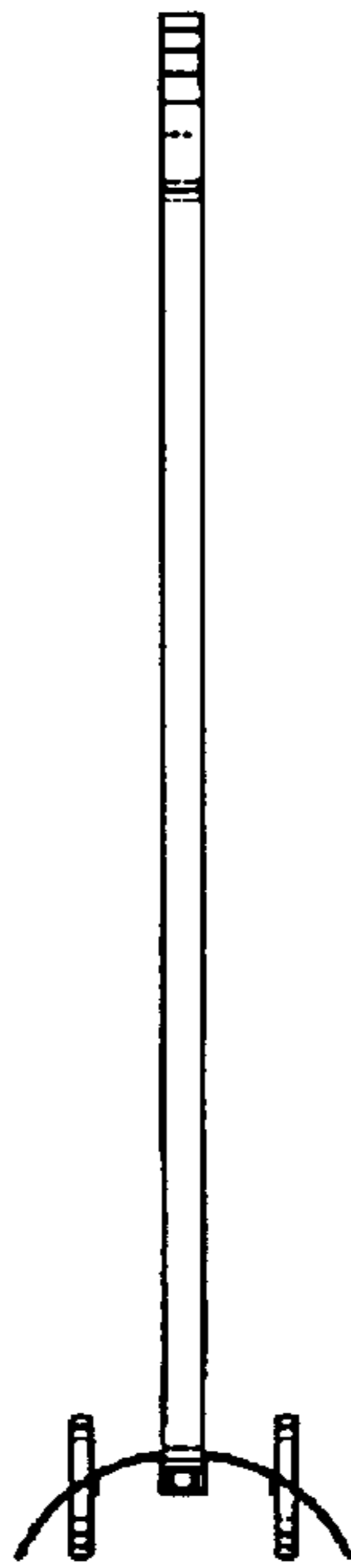


FIG. 6

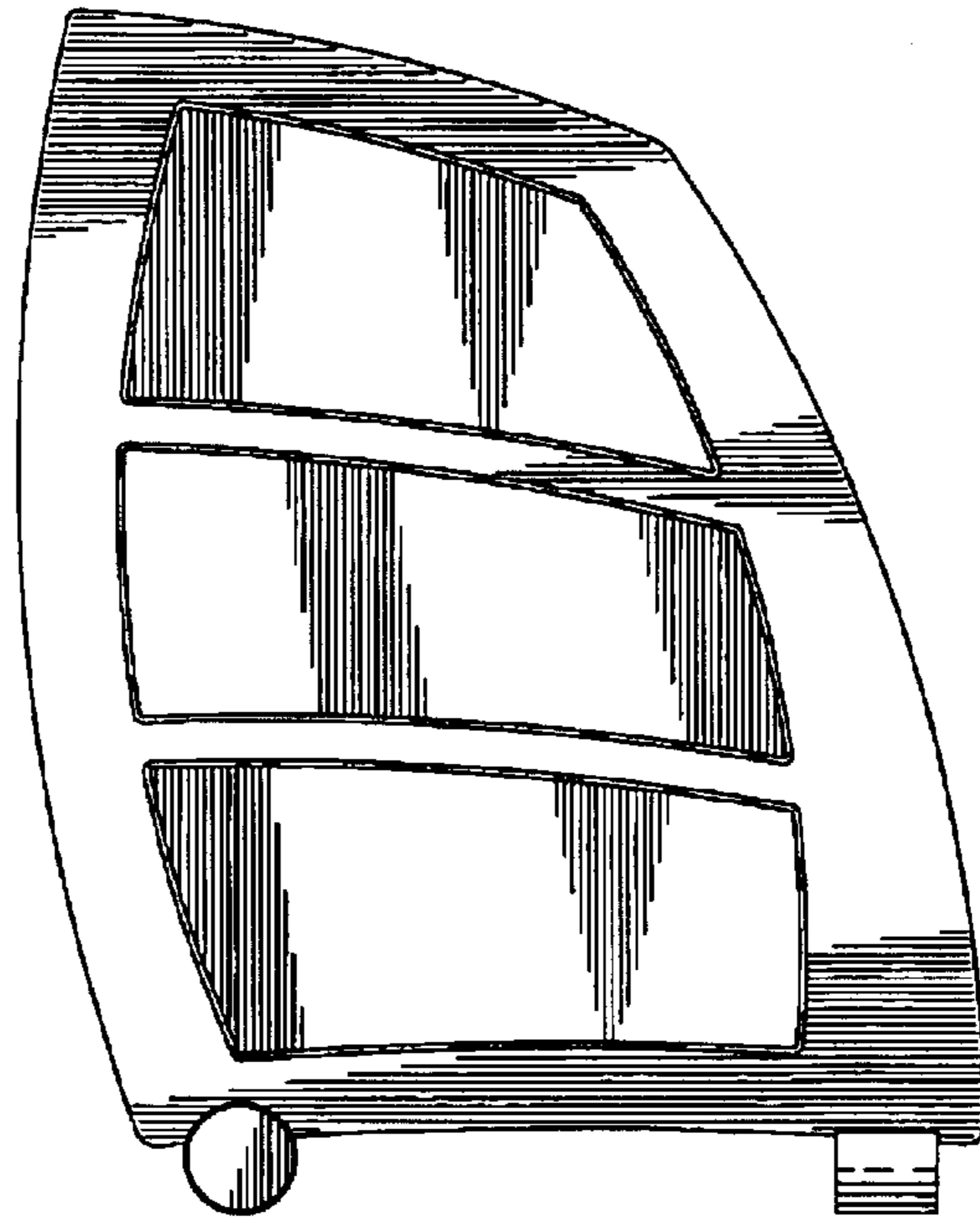


FIG. 8