

US00D491724S1

(12) **United States Design Patent**
Sanderson

(10) **Patent No.:** **US D491,724 S**

(45) **Date of Patent:** **** Jun. 22, 2004**

(54) **GOLF TRAVEL BAG**

D474,337 S * 5/2003 Boardman et al. D3/255
D475,527 S * 6/2003 Thompson D3/255

(75) **Inventor:** **David B. Sanderson**, Villa Park, CA (US)

* cited by examiner

(73) **Assignee:** **SKB Corporation**, Orange, CA (US)

Primary Examiner—Catherine R. Oliver

(**) **Term:** **14 Years**

(57) **CLAIM**

(21) **Appl. No.:** **29/165,316**

The ornamental design for a golf travel bag, substantially as shown and described.

(22) **Filed:** **Aug. 7, 2002**

DESCRIPTION

(51) **LOC (7) Cl.** **03-01**

(52) **U.S. Cl.** **D3/255**

(58) **Field of Search** D3/255, 254, 262,
D3/261, 279, 282, 276, 904; 206/315.2–315.8;
150/159

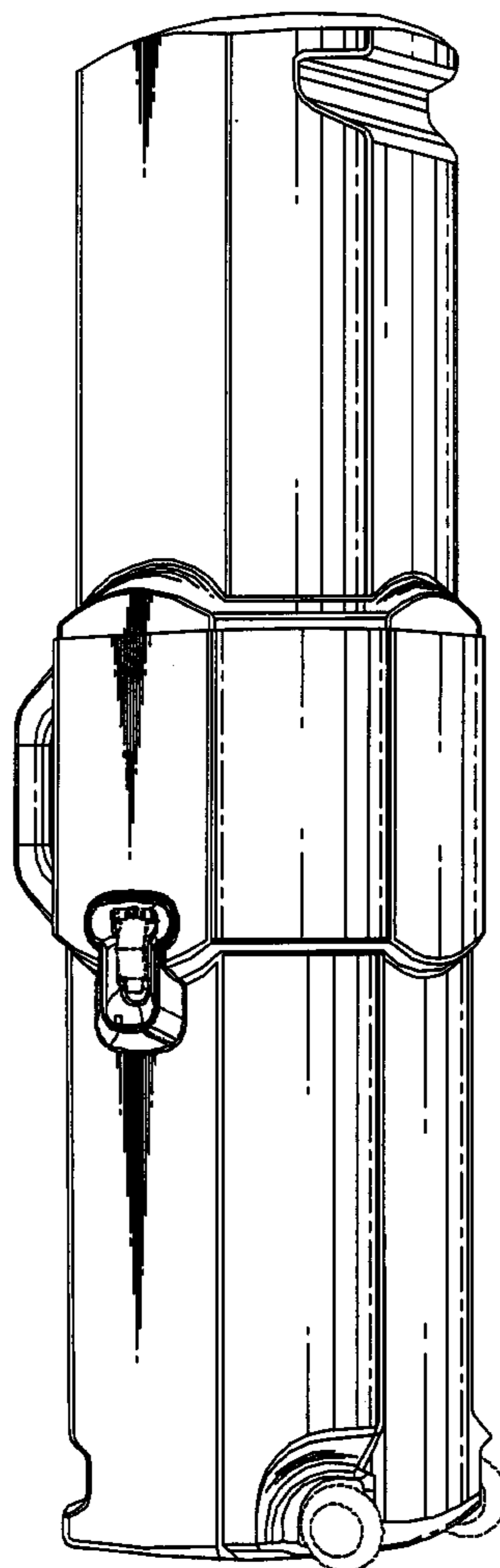
FIG. 1 is a front elevational view of the design,
FIG. 2 is a first side elevational view, the opposite side view being a mirror image,
FIG. 3 is a rear elevational view,
FIG. 4 is a top view,
FIG. 5 is a bottom view; and,
FIG. 6 is an elevational view of the first side and back.
The broken line showing of environment in the drawings is for illustrative purposes only and forms no part of the claimed design.

(56) **References Cited**

U.S. PATENT DOCUMENTS

- D416,678 S * 11/1999 Kurtz et al. D3/255
- D436,439 S * 1/2001 Dennesen et al. D3/255
- D463,909 S * 10/2002 Carter D3/279
- D471,355 S * 3/2003 Sanderson et al. D3/255

1 Claim, 3 Drawing Sheets



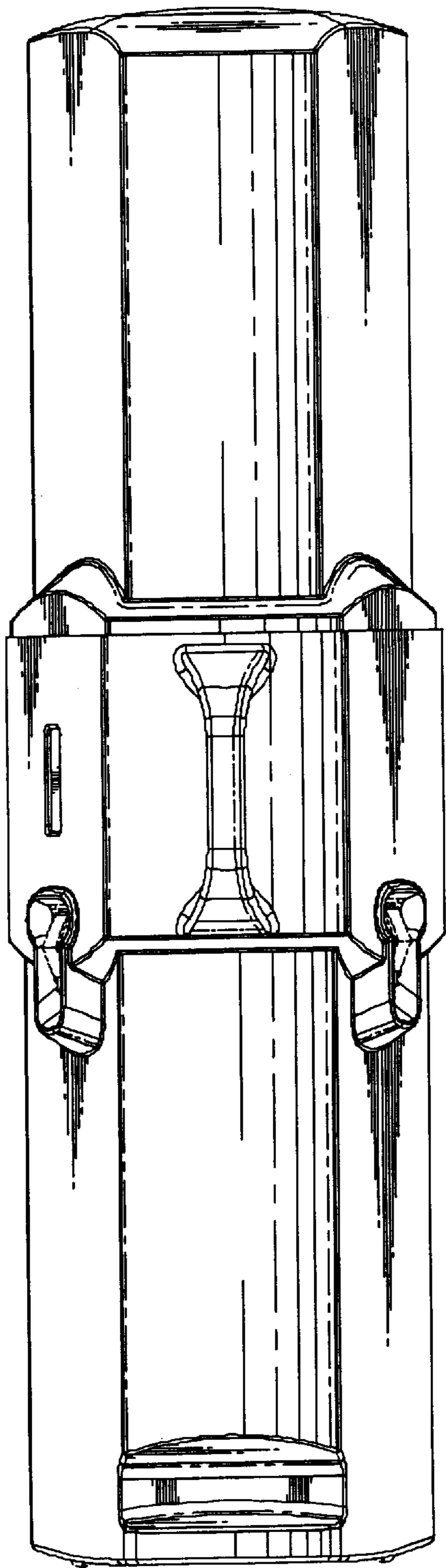


Fig. 1

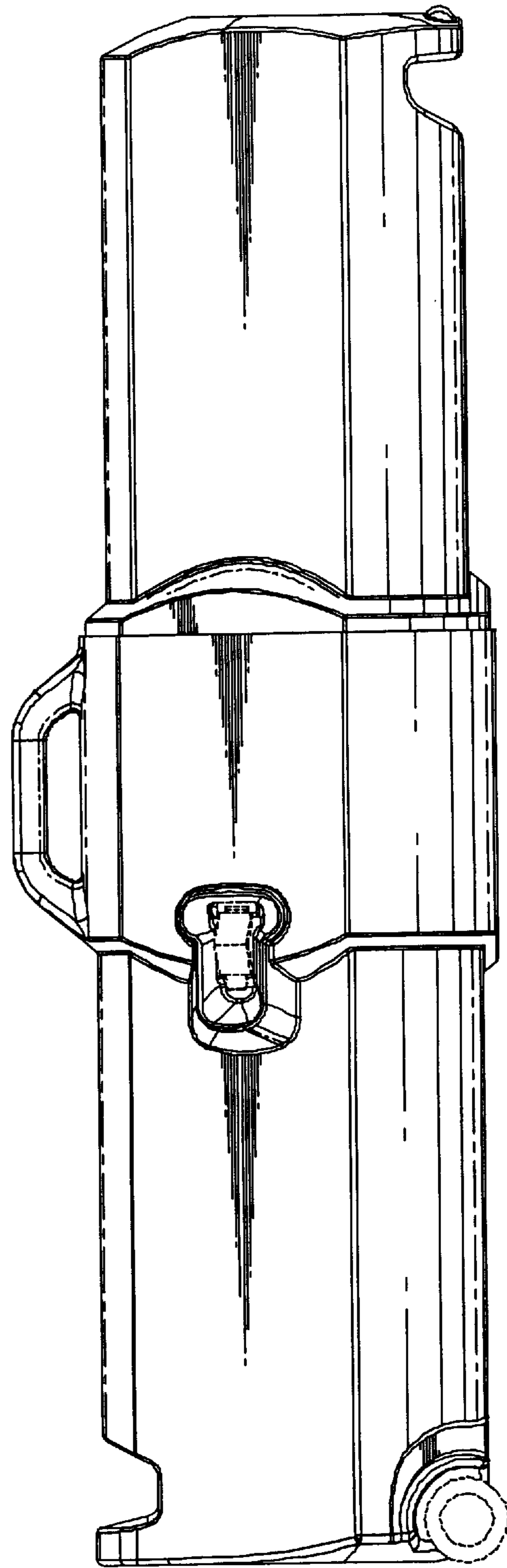


Fig. 2

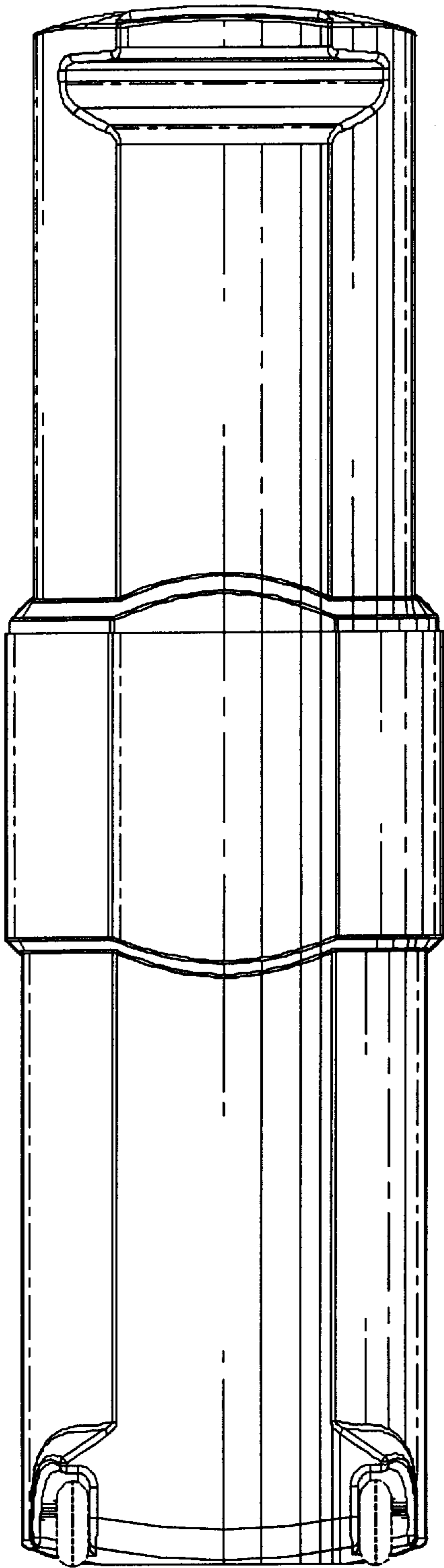


Fig. 3

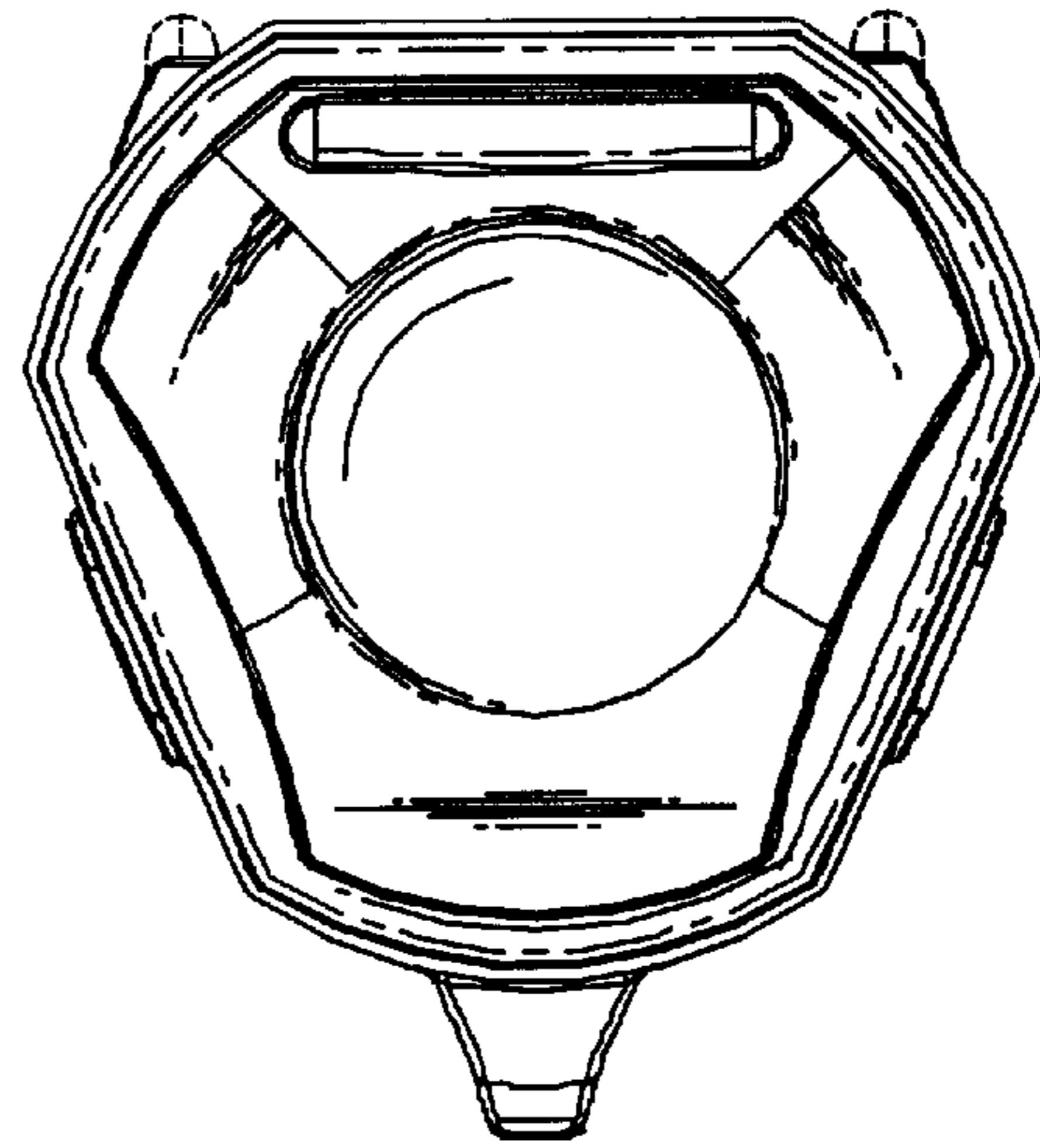


Fig. 4

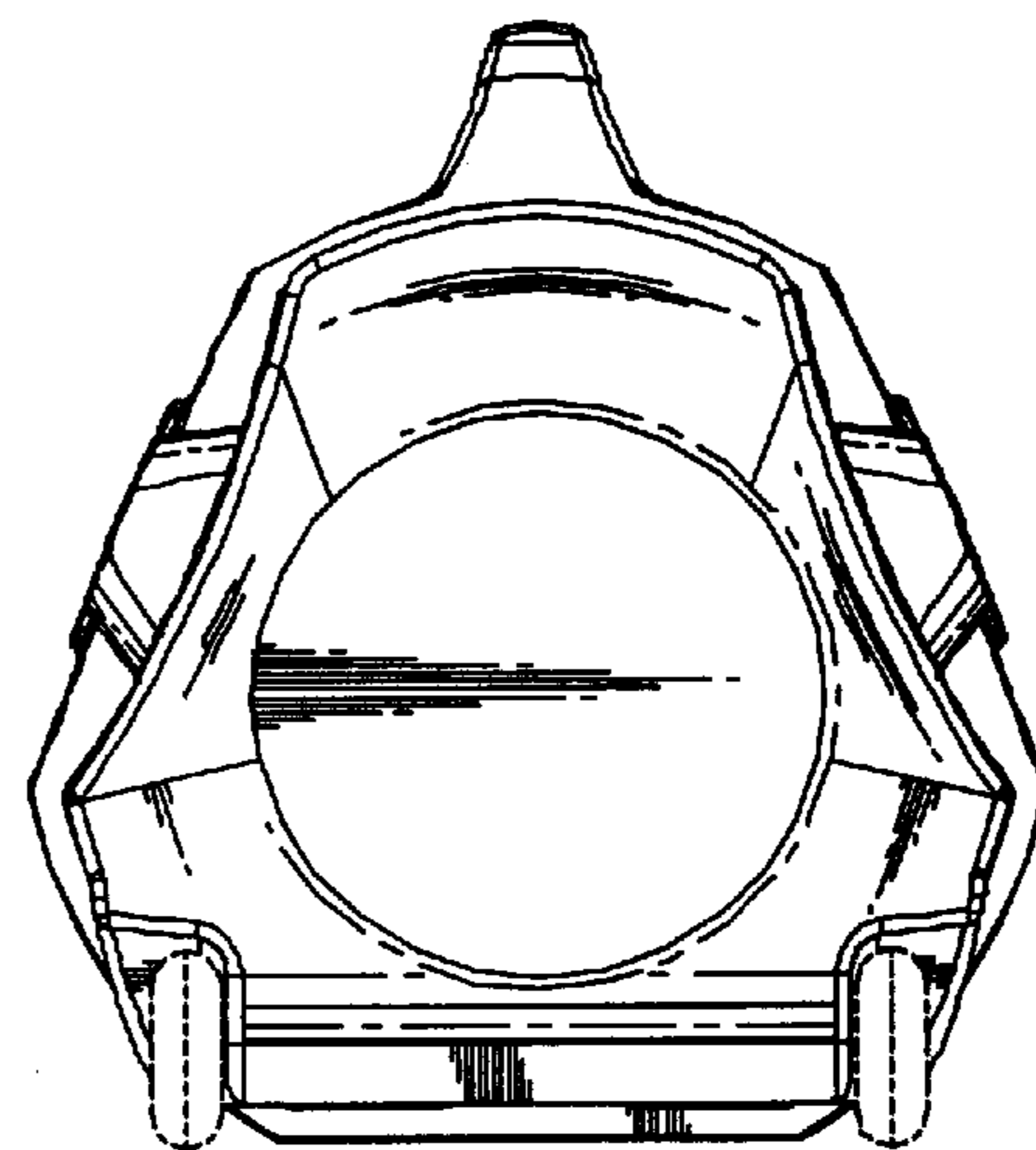


Fig. 5

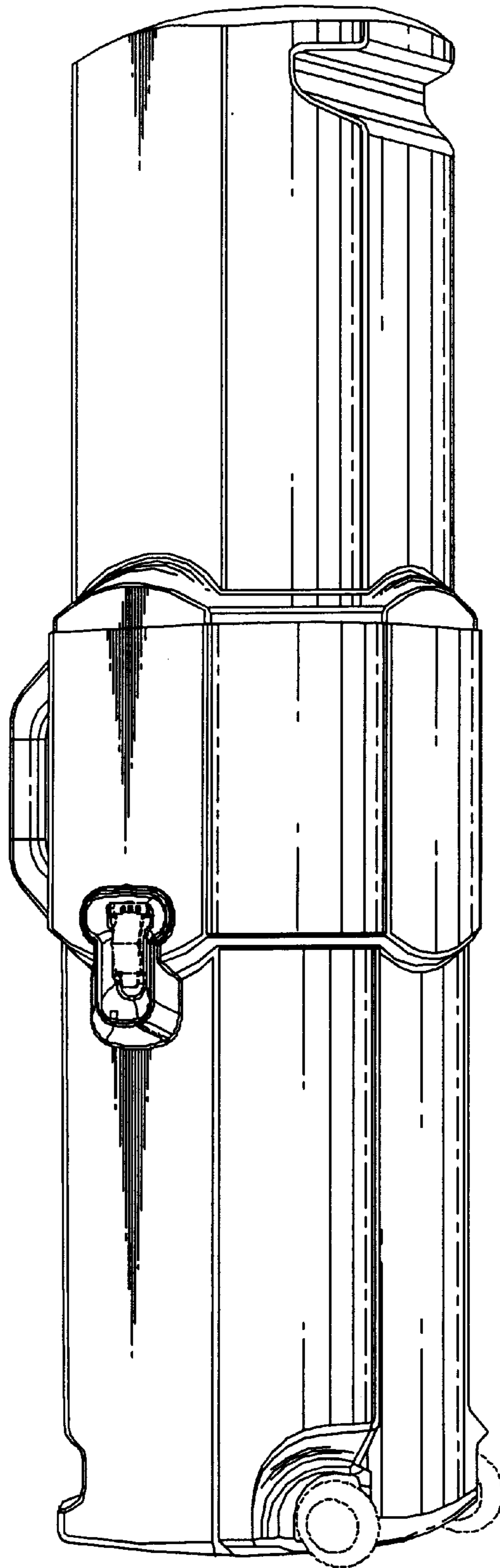


FIG. 6