

US00D491716S1

(12) **United States Design Patent**
Kusakabe

(10) **Patent No.:** **US D491,716 S**
(45) **Date of Patent:** **** Jun. 22, 2004**

(54) **BRIM**

(76) **Inventor:** **Isao Kusakabe**, 1-23, Nakamachi
1-chome, Sakata-shi Yamagata-ken (JP),
998-0044

(**) **Term:** **14 Years**

(21) **Appl. No.:** **29/182,992**

(22) **Filed:** **Jun. 3, 2003**

(51) **LOC (7) Cl.** **02-03**

(52) **U.S. Cl.** **D2/893**

(58) **Field of Search** D2/865, 866, 868,
D2/869, 871, 872, 875, 876, 879, 882,
893; 2/171, 181, 195.1, 209.11, 209.13

(56) **References Cited**

U.S. PATENT DOCUMENTS

D156,408 S	*	12/1949	Cohn	D2/872
D262,495 S	*	1/1982	Hatten	D2/872
D300,081 S	*	3/1989	Proctor	D2/893
D300,386 S	*	3/1989	Proctor	D2/893
D366,558 S	*	1/1996	Galper et al.	D2/872
D438,366 S	*	3/2001	Park	D2/893
D444,292 S	*	7/2001	Wang	D2/882

* cited by examiner

Primary Examiner—Stacia Cadmus
Assistant Examiner—Mimosa De

(57) **CLAIM**

The ornamental design for a brim, as shown and described.

DESCRIPTION

FIG. 1 is a front view of a brim showing my new design;

FIG. 2 is a back view thereof;

FIG. 3 is a right side view thereof;

FIG. 4 is a top view thereof;

FIG. 5 is a bottom view thereof;

FIG. 6 is a front view of an alternate embodiment of my new design of FIGS. 1-5;

FIG. 7 is a back view thereof;

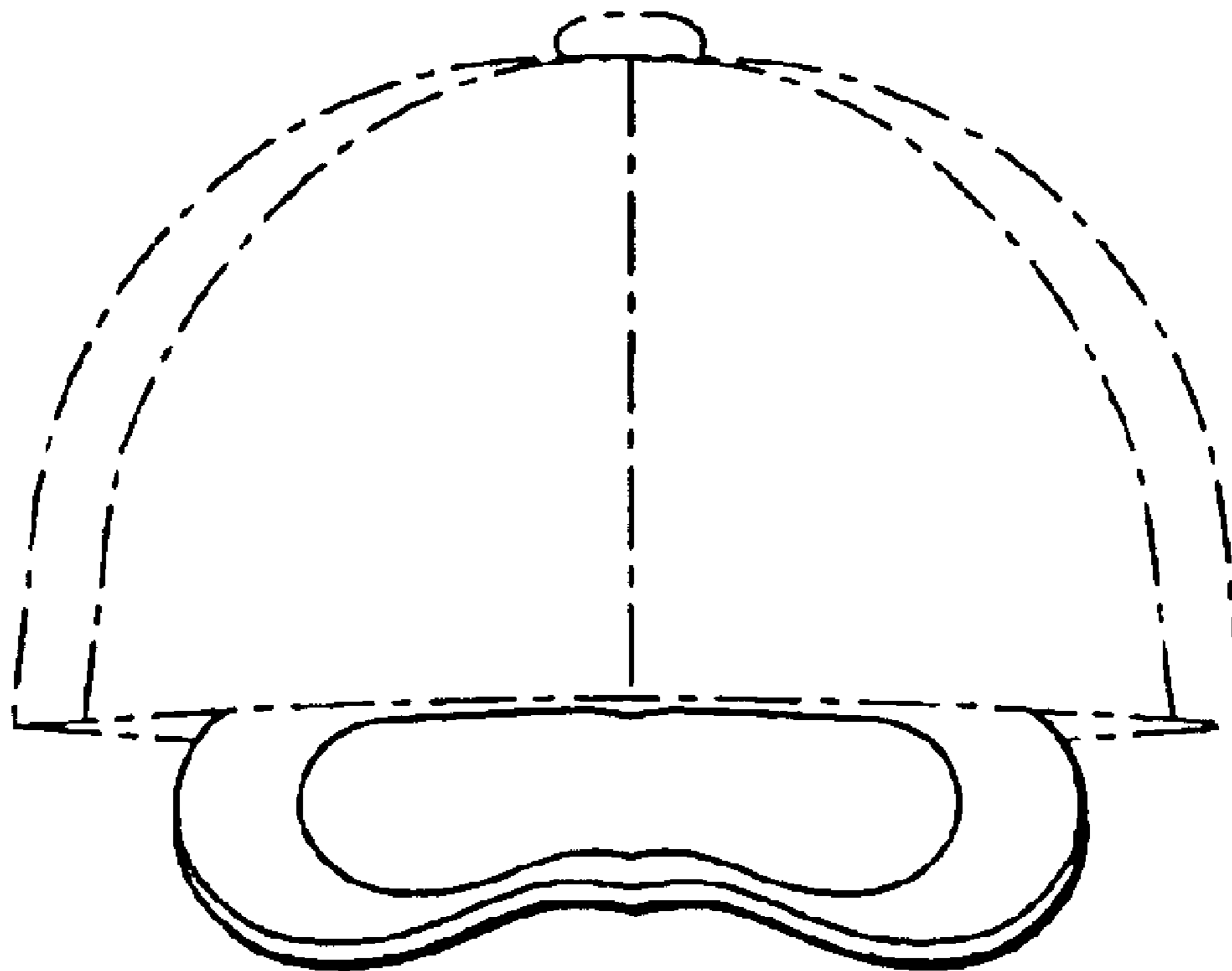
FIG. 8 is a right side view thereof;

FIG. 9 is a top view thereof; and,

FIG. 10 is a bottom view thereof.

The broken line drawing of a brim in all view is for illustrative purpose only and forms no part of the claimed design.

1 Claim, 4 Drawing Sheets



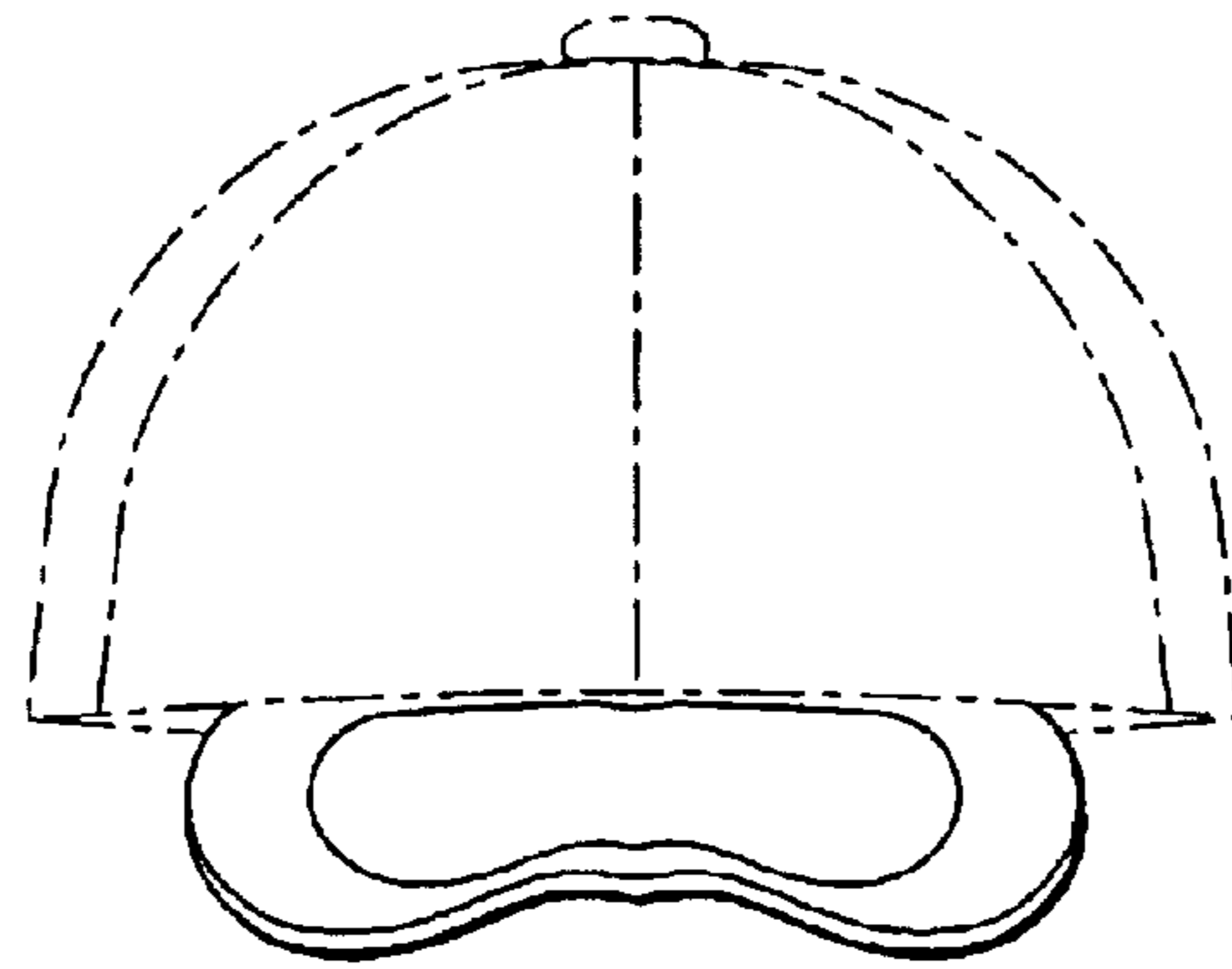


FIG. 1

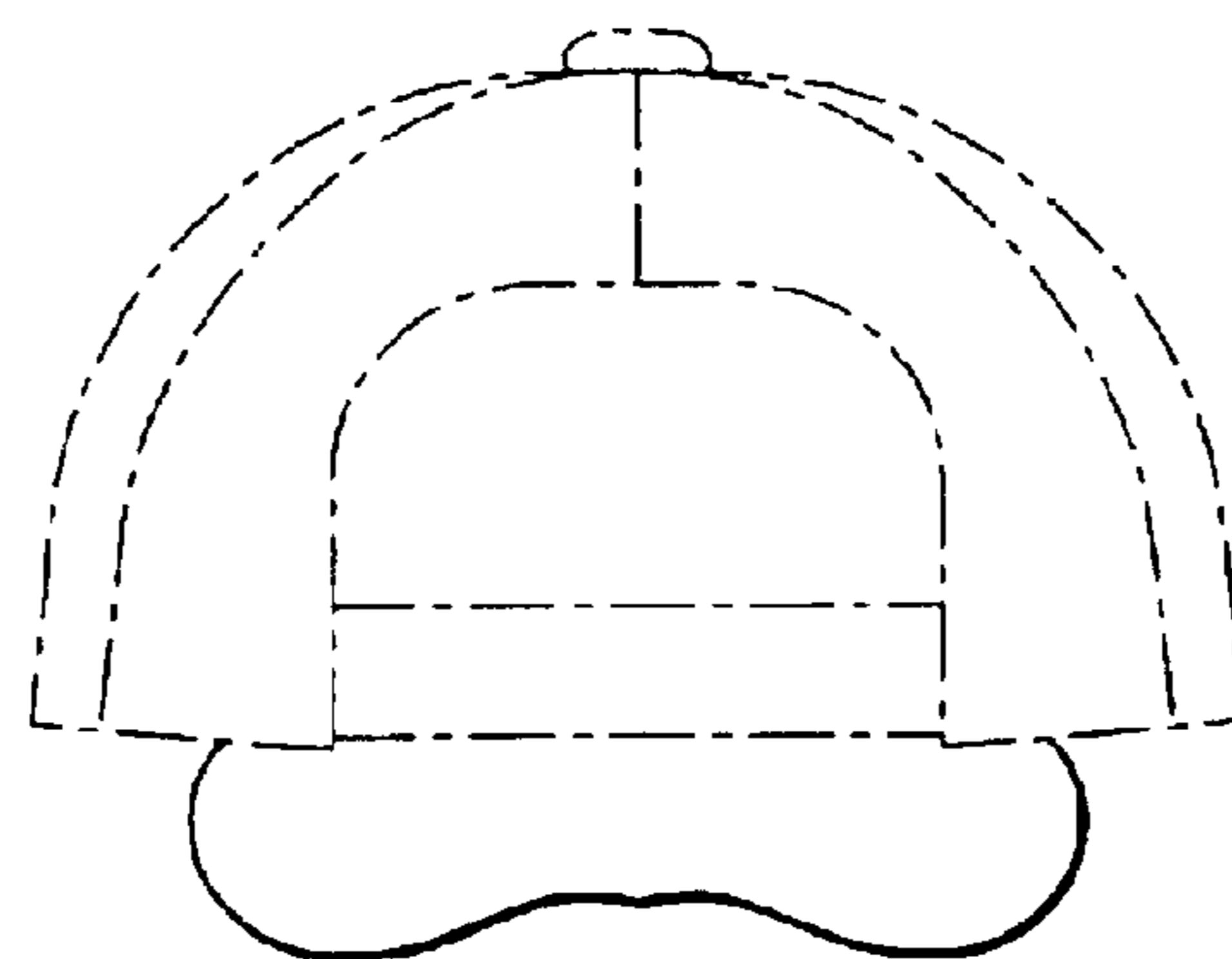


FIG. 2

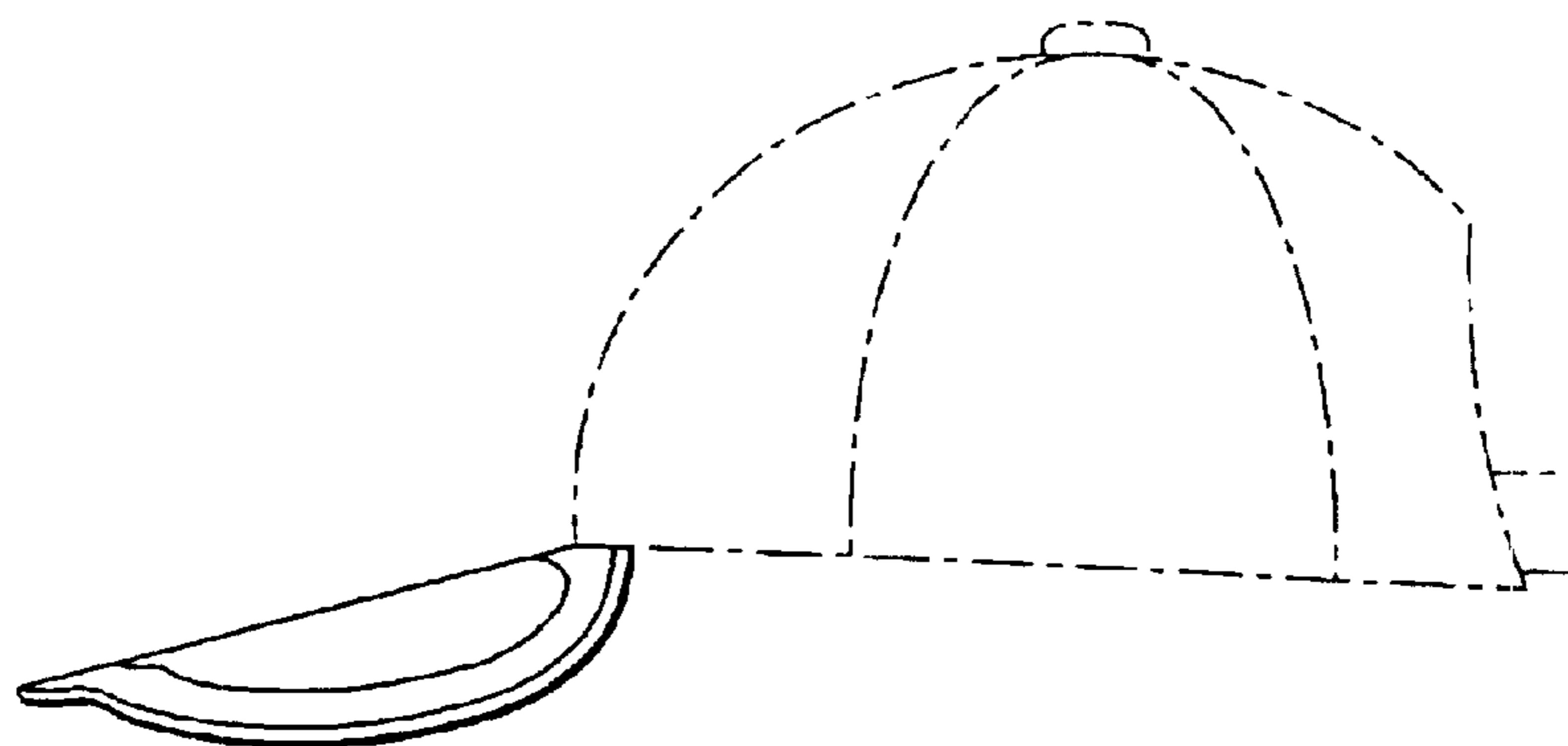


FIG. 3

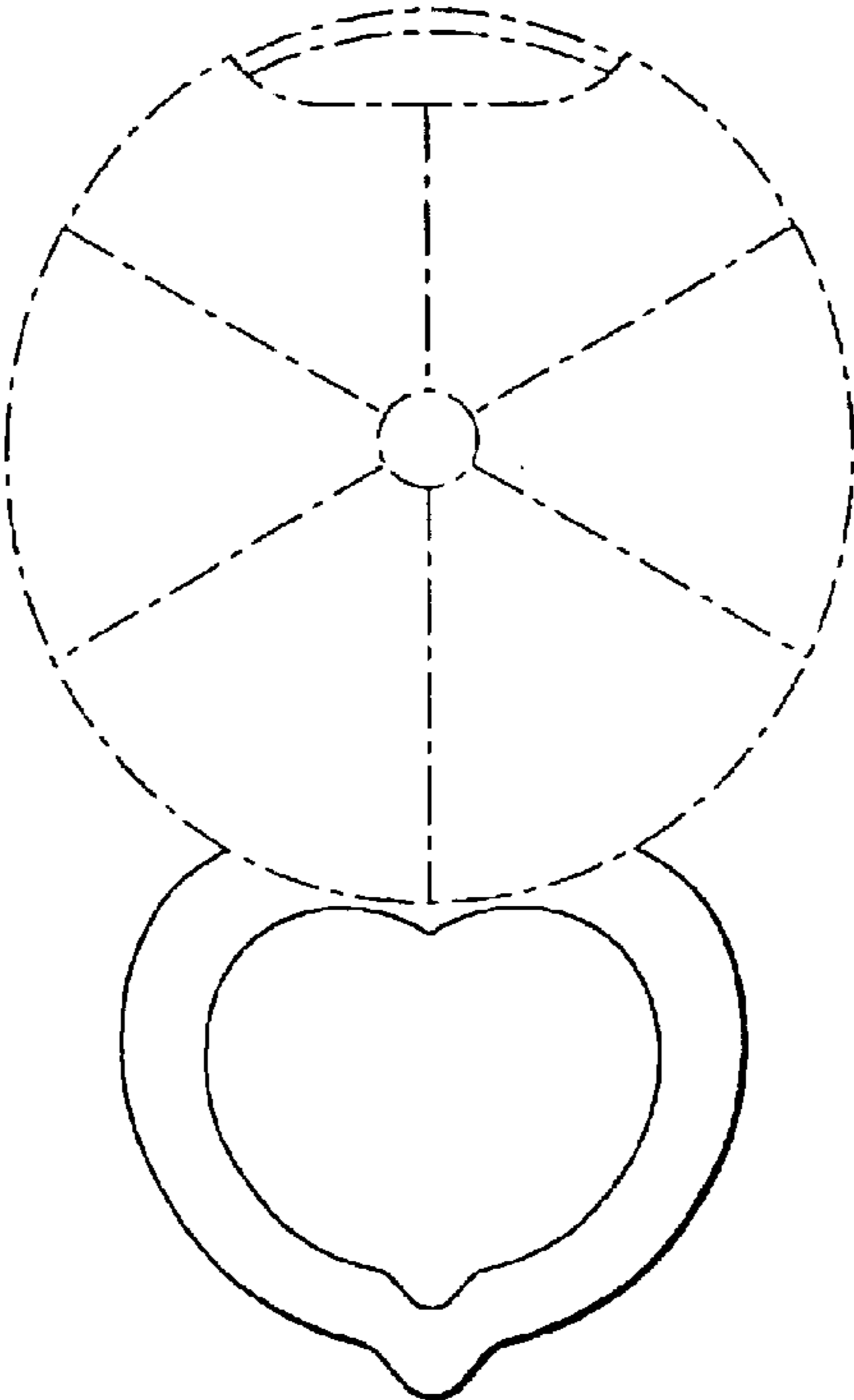


FIG. 4

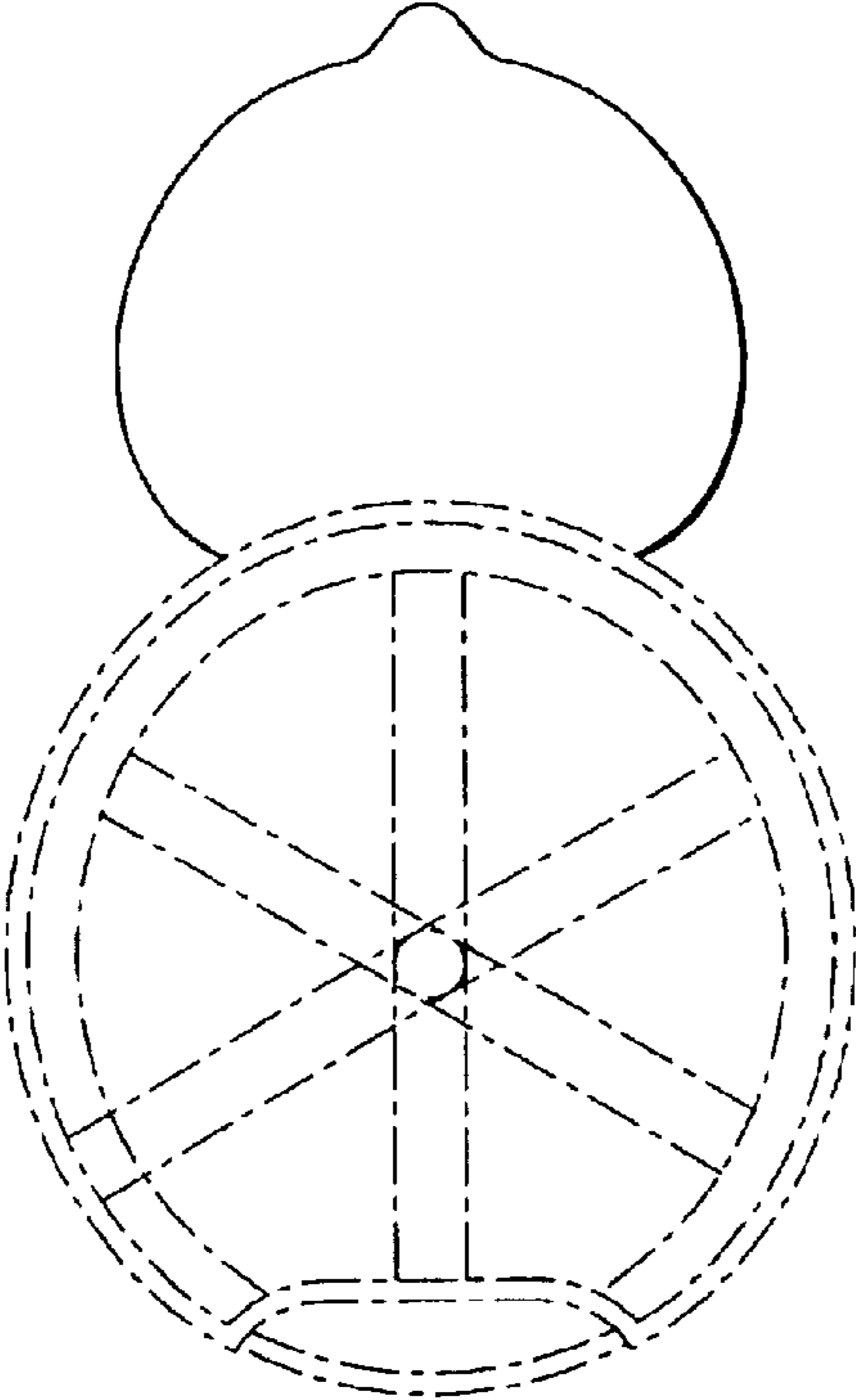


FIG. 5

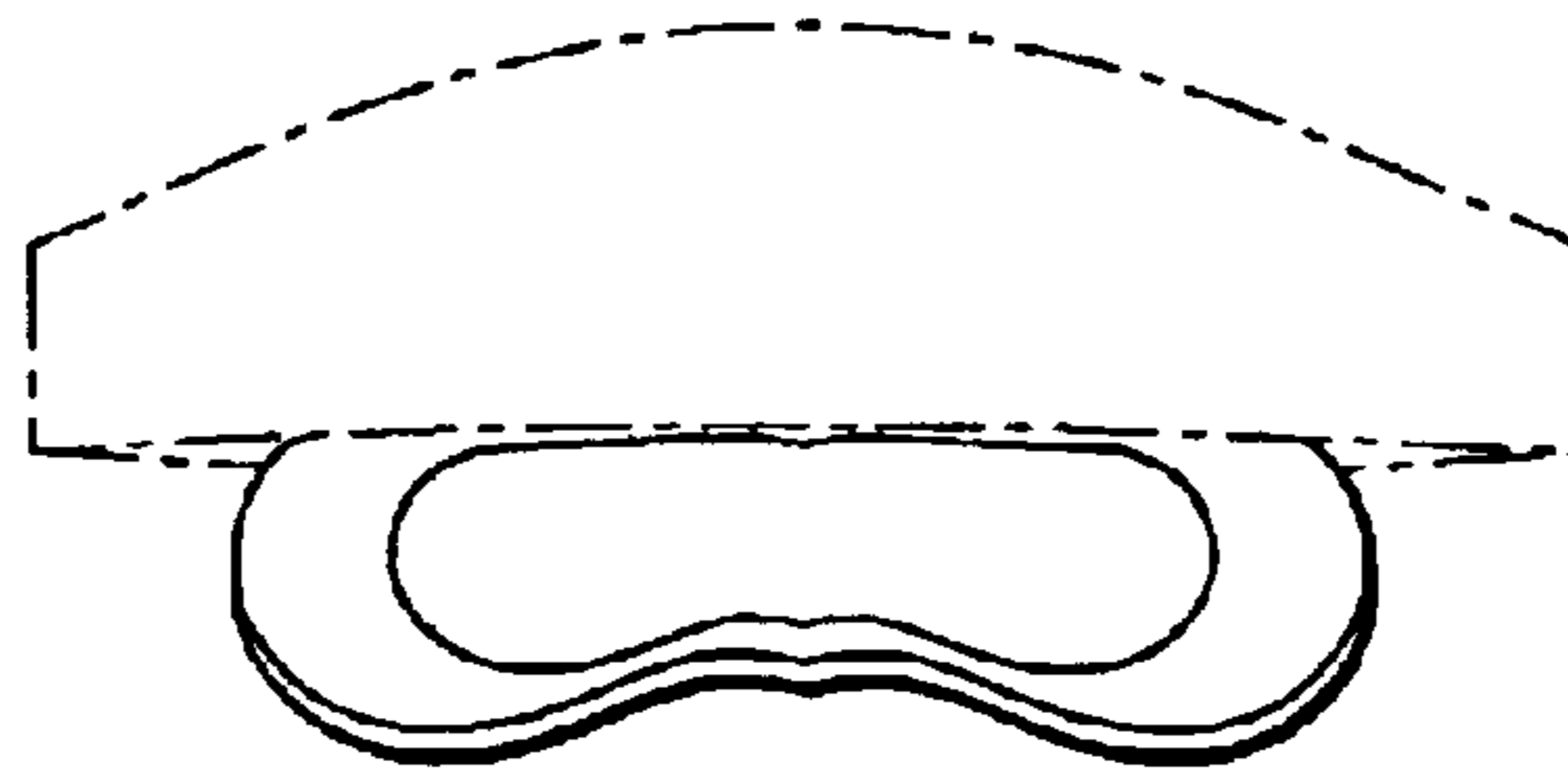


FIG. 6

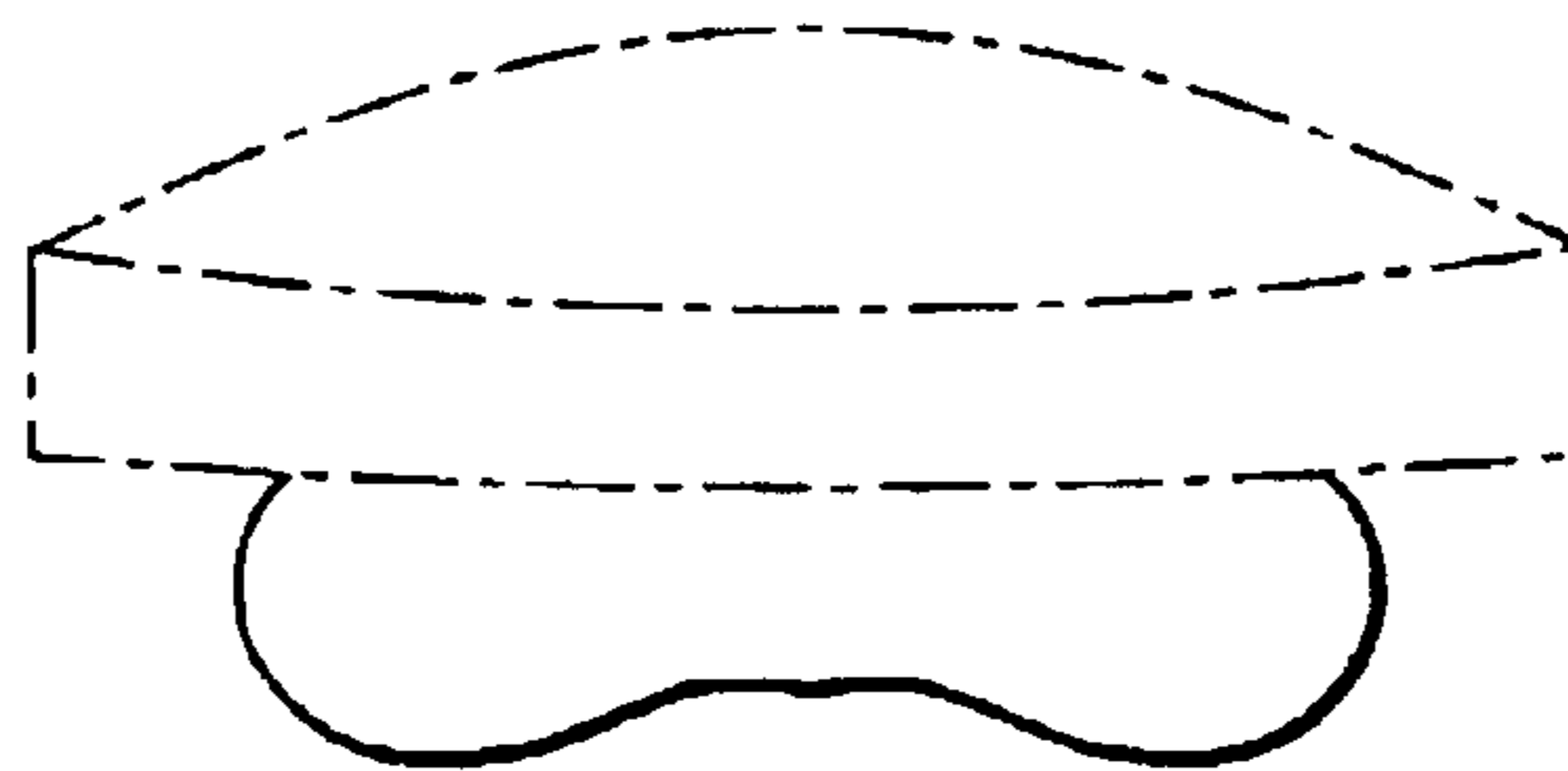


FIG. 7

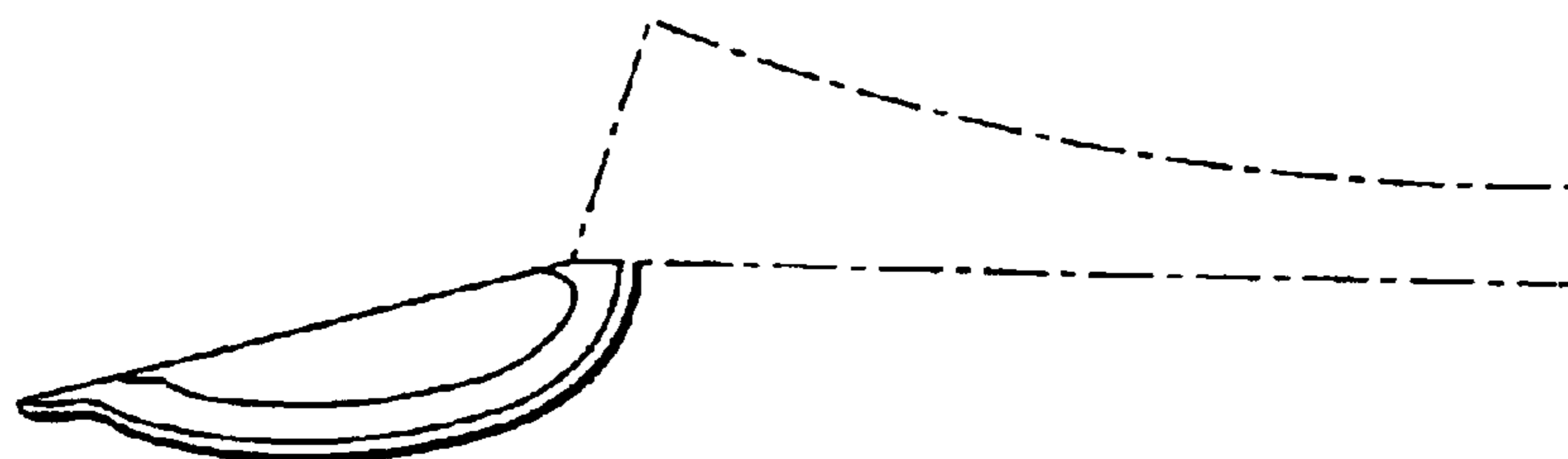


FIG. 8

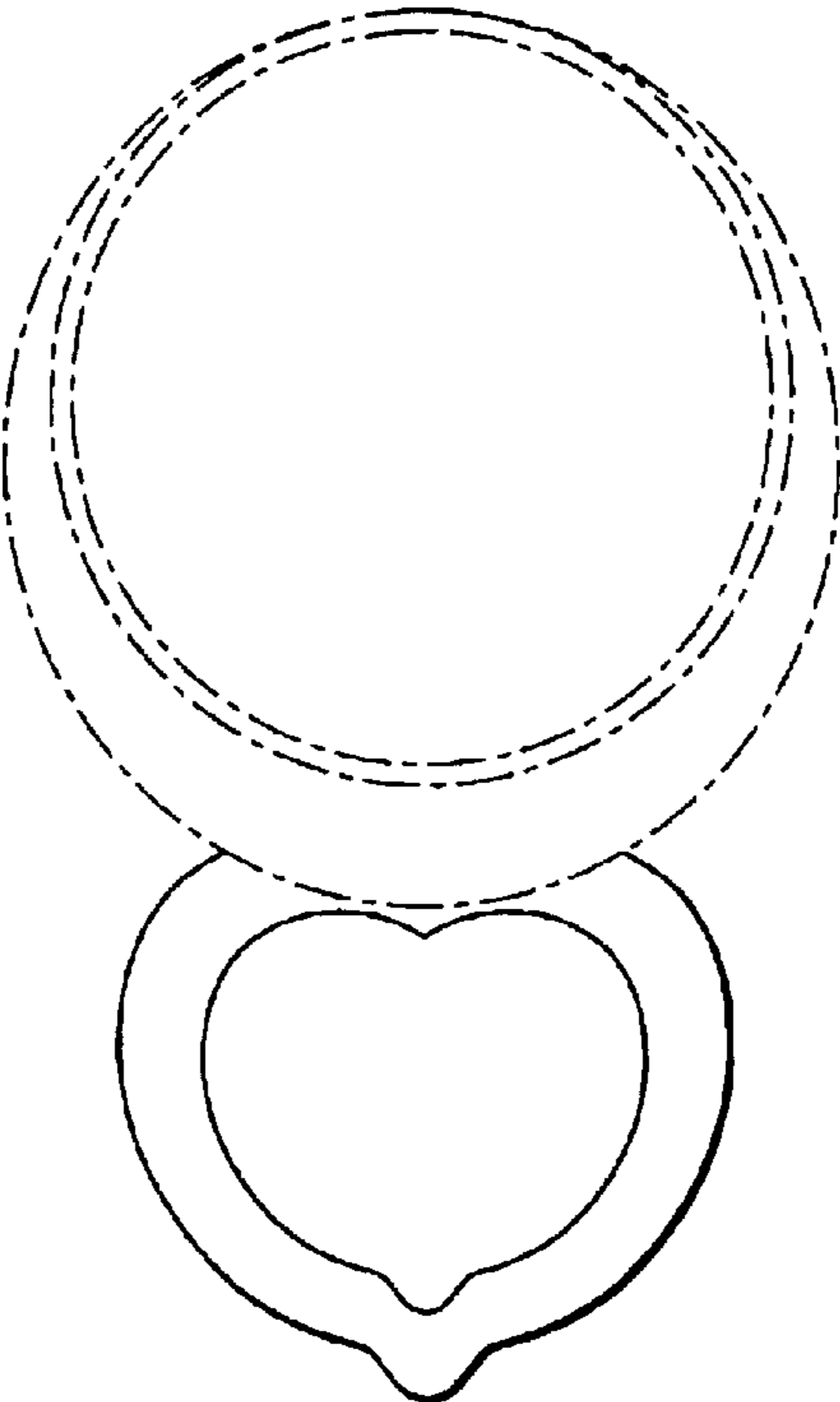


FIG. 9

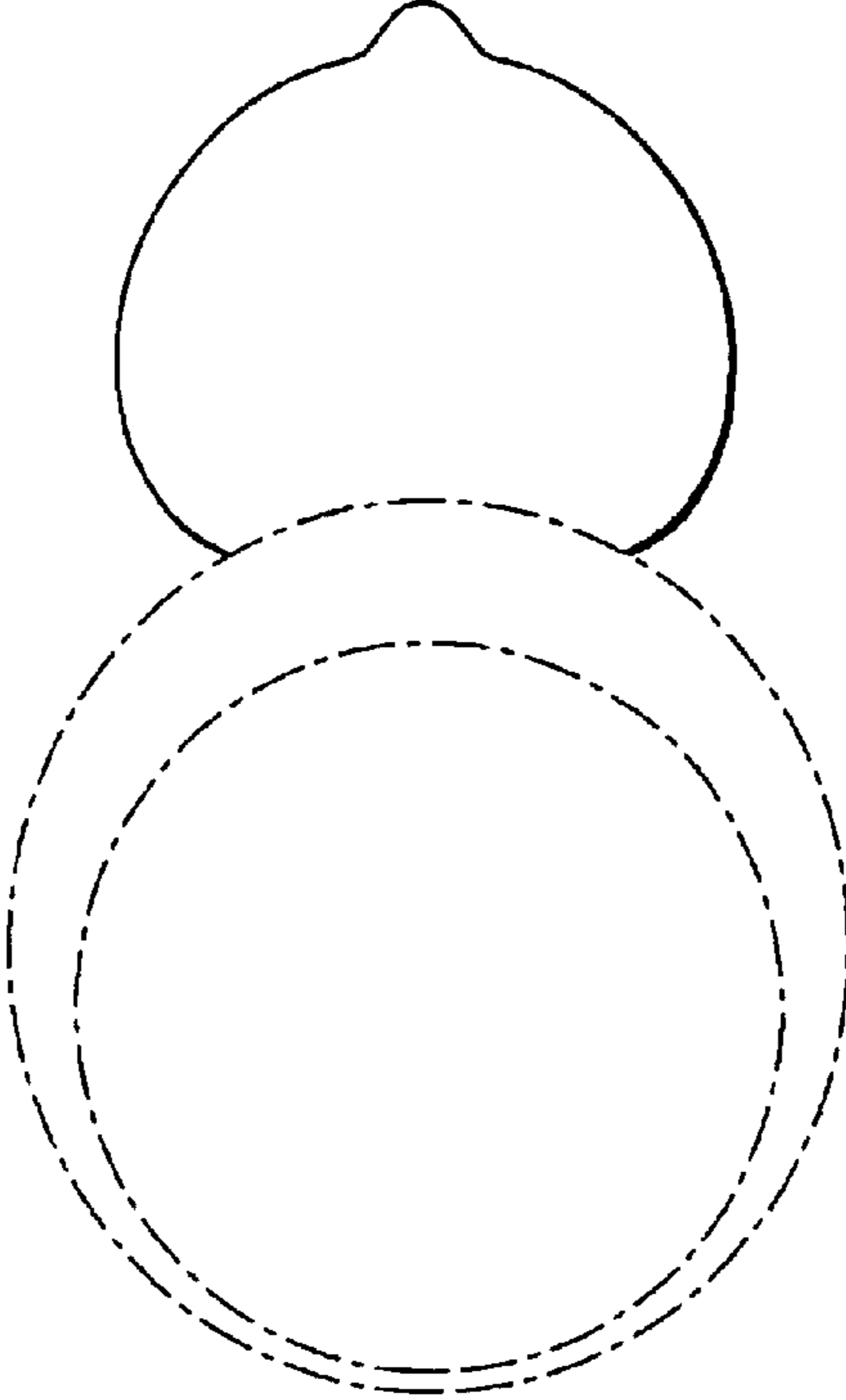


FIG. 10