

US00D491715S1

(12) **United States Design Patent**
Park

(10) **Patent No.:** **US D491,715 S**
(45) **Date of Patent:** **** Jun. 22, 2004**

- (54) **SEMI-PANEL IMAGE FOR A CAP**
- (75) **Inventor:** **Boo Yi Park, Seoul (KR)**
- (73) **Assignee:** **Dada Corp., Seoul (KR)**
- (**) **Term:** **14 Years**
- (21) **Appl. No.:** **29/174,384**
- (22) **Filed:** **Jan. 17, 2003**
- (51) **LOC (7) Cl.** **02-03**
- (52) **U.S. Cl.** **D2/882**
- (58) **Field of Search** D2/865, 869, 872,
D2/873, 876, 879, 881, 882, 884, 891,
893; 2/10, 181, 195.1, 195.2, 171.1, 171.7,
175.1, 209.12

- D455,539 S * 4/2002 Kates D2/882
- D459,860 S * 7/2002 Bussell D2/869
- D460,604 S * 7/2002 Sullivan, Jr. D2/882
- D474,002 S * 5/2003 Park D2/882

OTHER PUBLICATIONS

Hat, marked as A, Supreme Hats Mfg. Co., p. 281, Hong Kong Enterprise catalog, vol. 5, 1983.*

* cited by examiner

Primary Examiner—Stacia Cadmus

Assistant Examiner—Mimosa De

(57) **CLAIM**

The ornamental design for semi-panel image for a cap, as shown and described.

DESCRIPTION

FIG. 1 is a rear perspective view of semi-panel image for a cap showing my new design;

FIG. 2 is a rear elevational view of FIG. 1;

FIG. 3 is a right side elevational view of FIG. 1: the left side is a mirror image; and,

FIG. 4 is a top plan view of FIG. 1.

The broken line showing of the visor is for illustrative purposes only and forms no part of the claimed design, and the broken line shown on the crown represents stitching.

(56) **References Cited**

U.S. PATENT DOCUMENTS

- D26,451 S * 12/1896 Wolfgang D2/882
- 4,131,953 A 1/1979 Kimotsuki
- 4,873,726 A * 10/1989 Tapia 2/195.1
- 5,099,524 A 3/1992 Linday
- D400,692 S * 11/1998 Bell D2/882
- D405,239 S * 2/1999 Kostinko D2/882
- 5,887,285 A 3/1999 McCormick
- D452,768 S * 1/2002 Park D2/882
- D453,610 S * 2/2002 Lee D2/882
- 6,345,395 B1 2/2002 Chilton

1 Claim, 2 Drawing Sheets

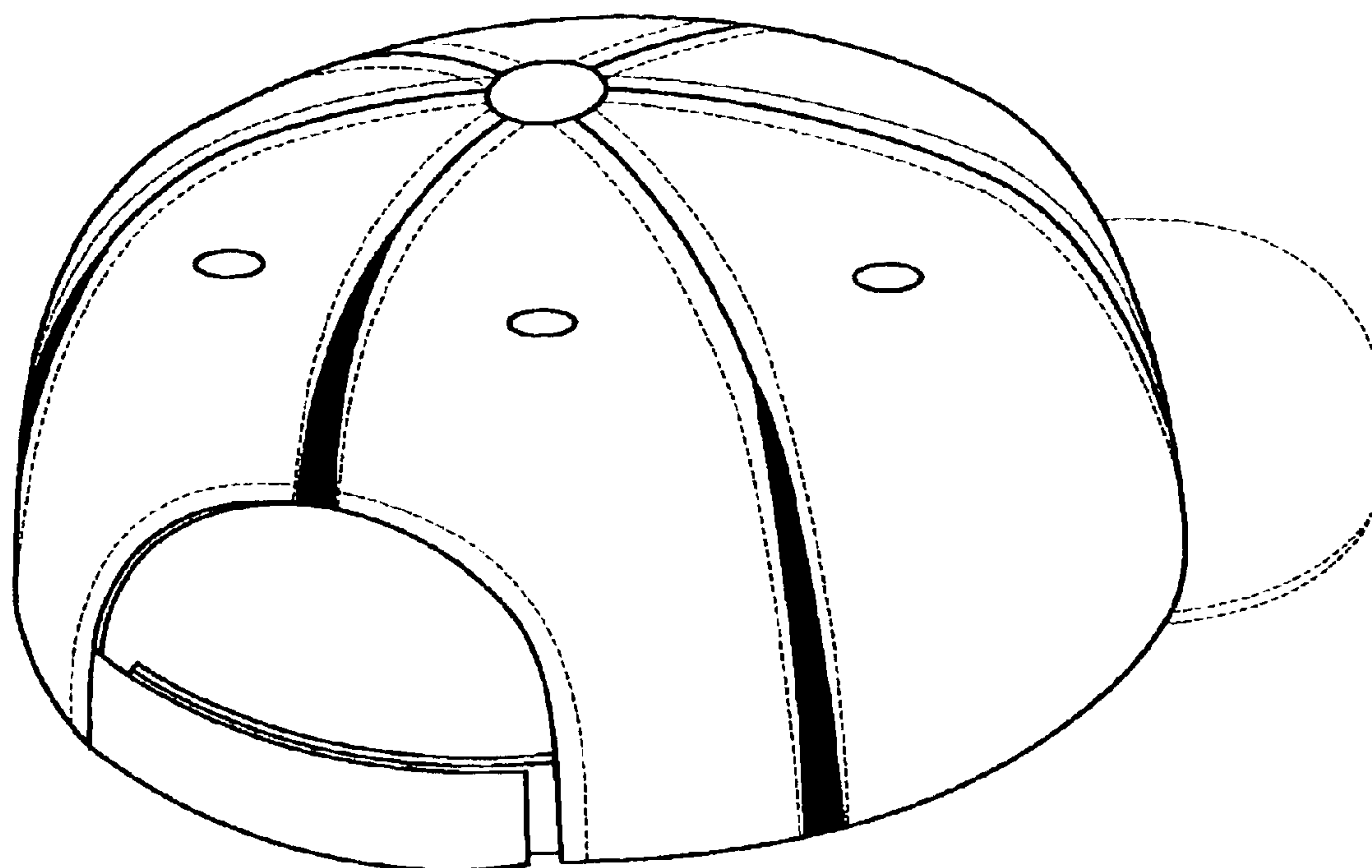


FIG.1

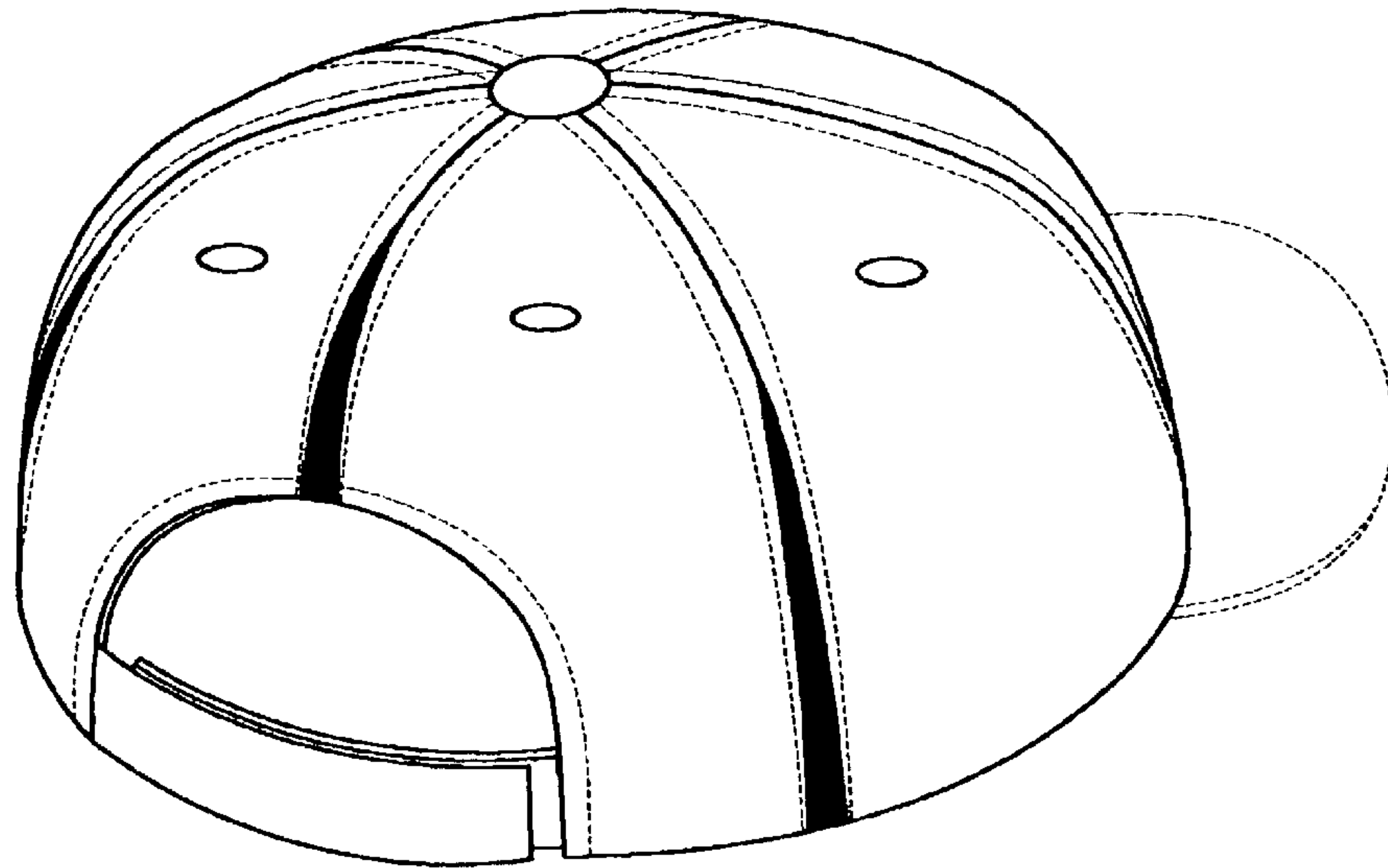


FIG.2

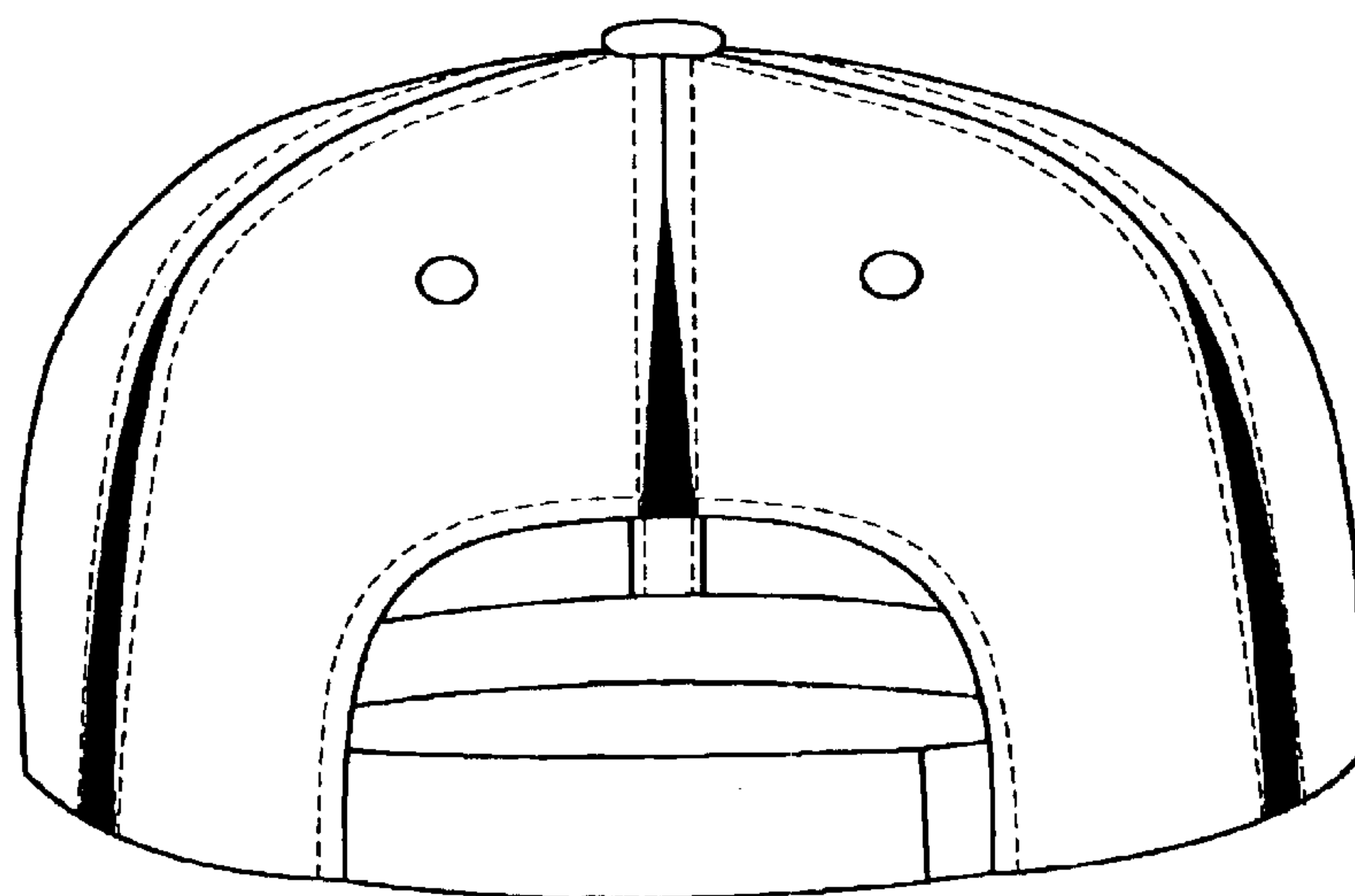


FIG.3

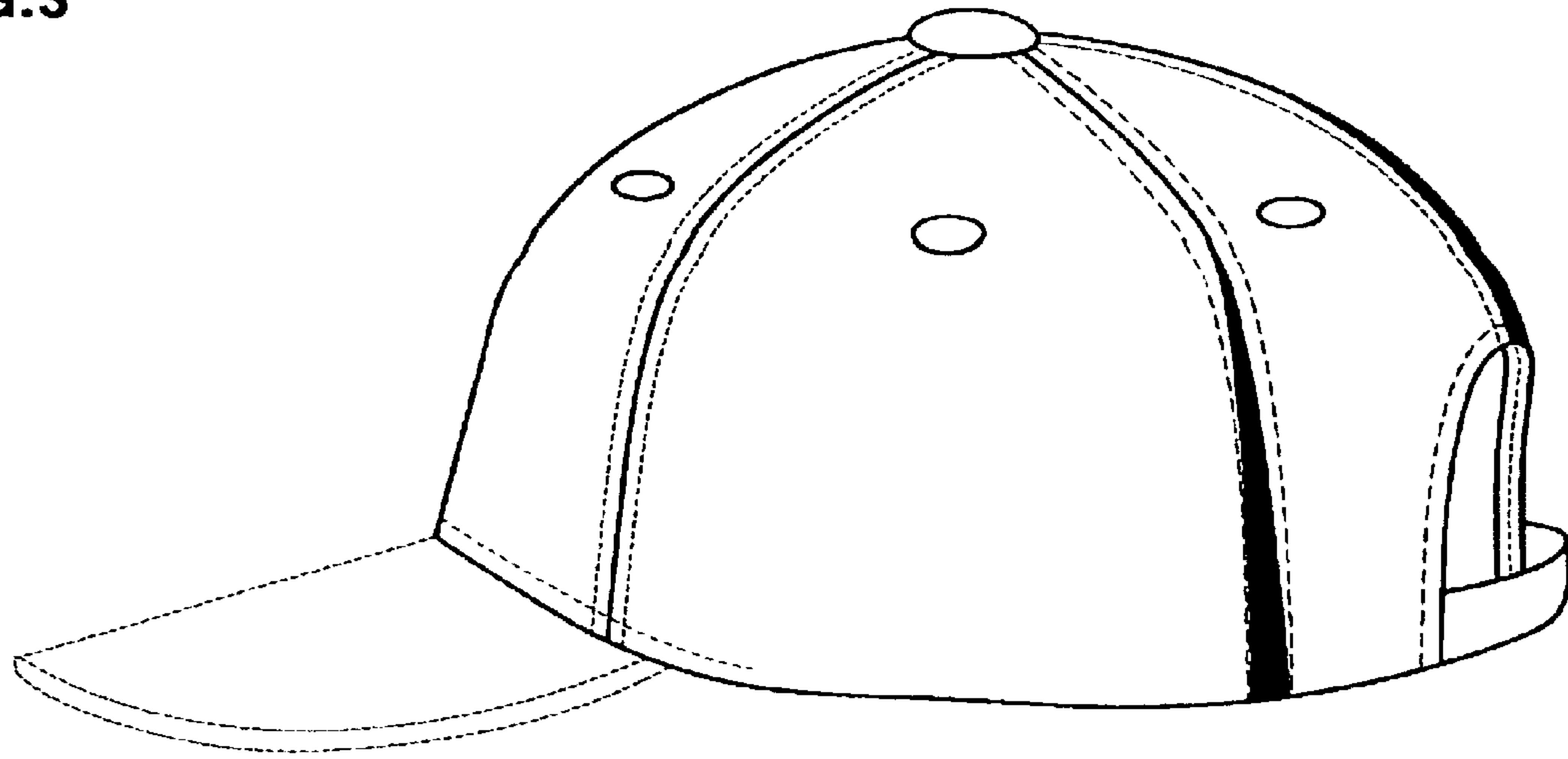


FIG.4

