



US00D491709S

(12) **United States Design Patent**  
**Wise**

(10) **Patent No.:** **US D491,709 S**

(45) **Date of Patent:** **\*\* Jun. 15, 2004**

(54) **WORK BENCH**

(76) Inventor: **Robert W. Wise**, 365 Ely Rd.,  
Petaluma, CA (US) 94954

(\*\*) Term: **14 Years**

(21) Appl. No.: **29/172,384**

(22) Filed: **Dec. 10, 2002**

(51) **LOC (7) Cl.** ..... **12-02**

(52) **U.S. Cl.** ..... **D34/18; D34/19**

(58) **Field of Search** ..... **D34/12-27; 280/652,**  
**280/79.2, 79.11, 47.19, 47.2**

(56) **References Cited**

**U.S. PATENT DOCUMENTS**

D182,926 S *	5/1958	Roeder	.....	D34/25
5,642,898 A	7/1997	Wise	.....	280/652
2002/0096845 A1 *	7/2002	Spann	.....	280/79.2

\* cited by examiner

*Primary Examiner*—Kay H. Chin

(74) *Attorney, Agent, or Firm*—SEED IP Law Group PLLC

(57) **CLAIM**

The ornamental design for a work bench, as shown and described.

**DESCRIPTION**

FIG. 1 is a top right perspective view of a work bench showing my new design.

FIG. 2 is a right side elevational view thereof.

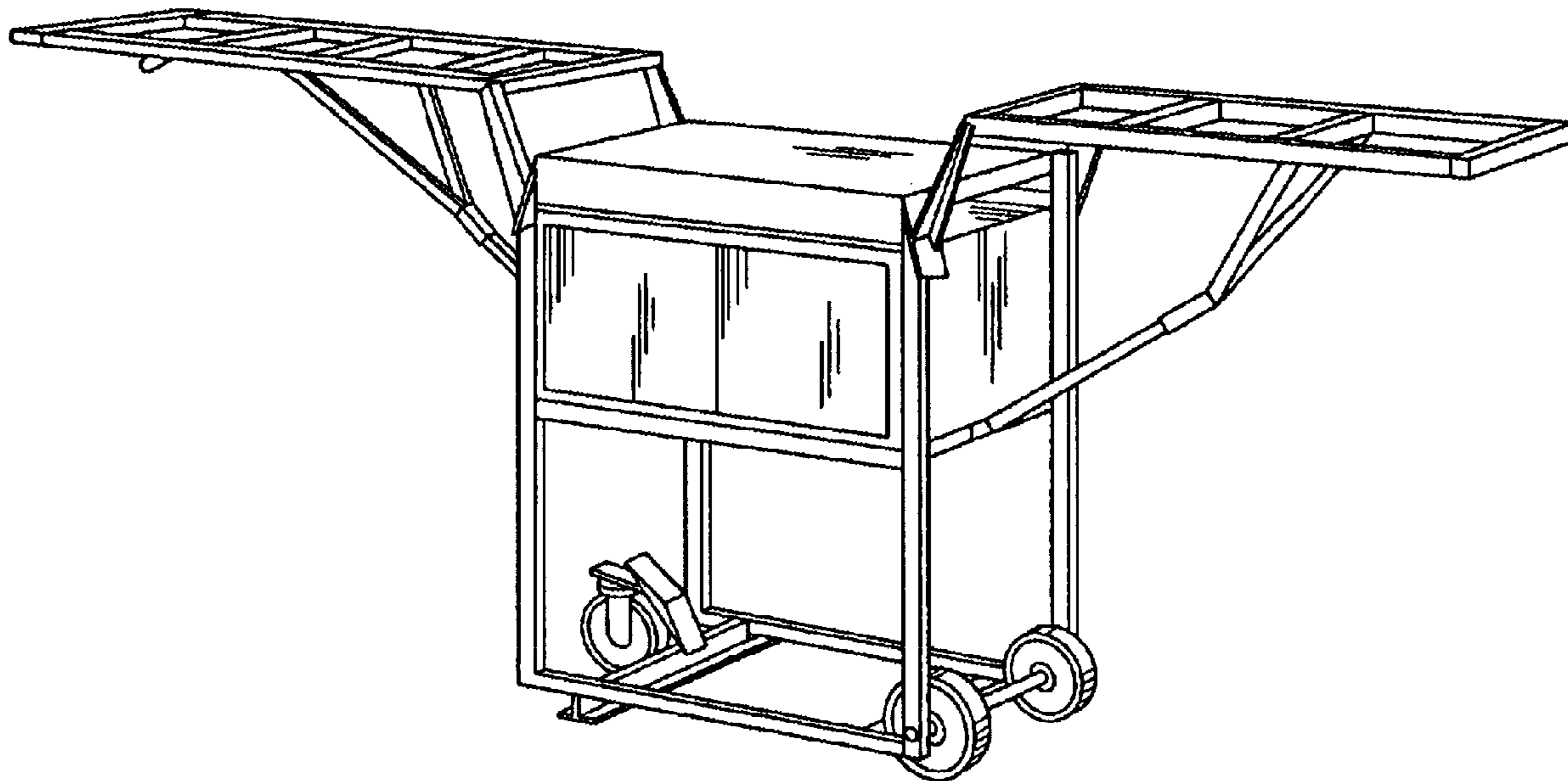
FIG. 3 is a rear elevational view of the design, the front elevational view being a mirror image thereof.

FIG. 4 is a left side elevational view thereof.

FIG. 5 is a top plan view thereof; and,

FIG. 6 is a bottom plan view thereof.

**1 Claim, 3 Drawing Sheets**



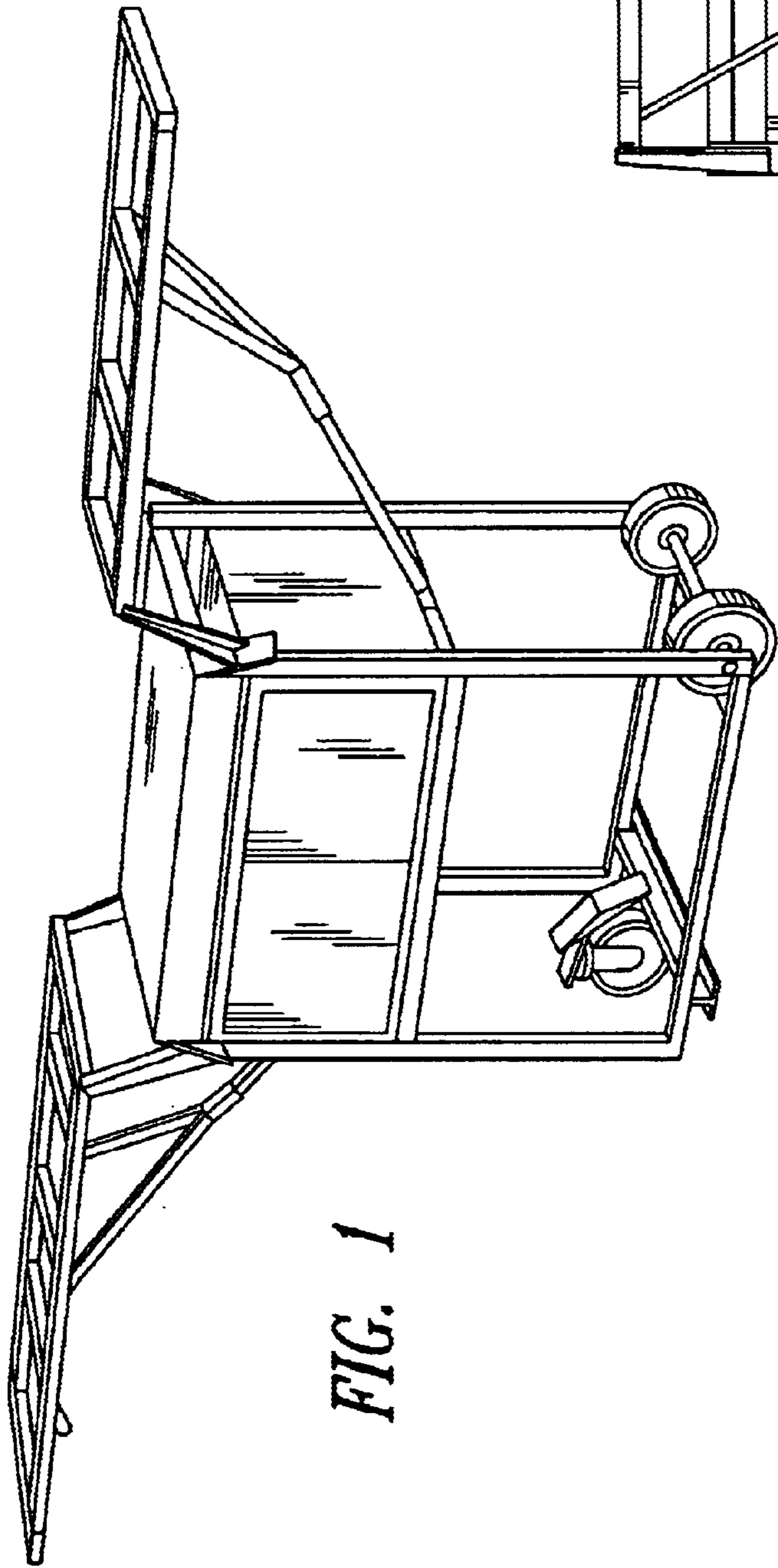


FIG. 1

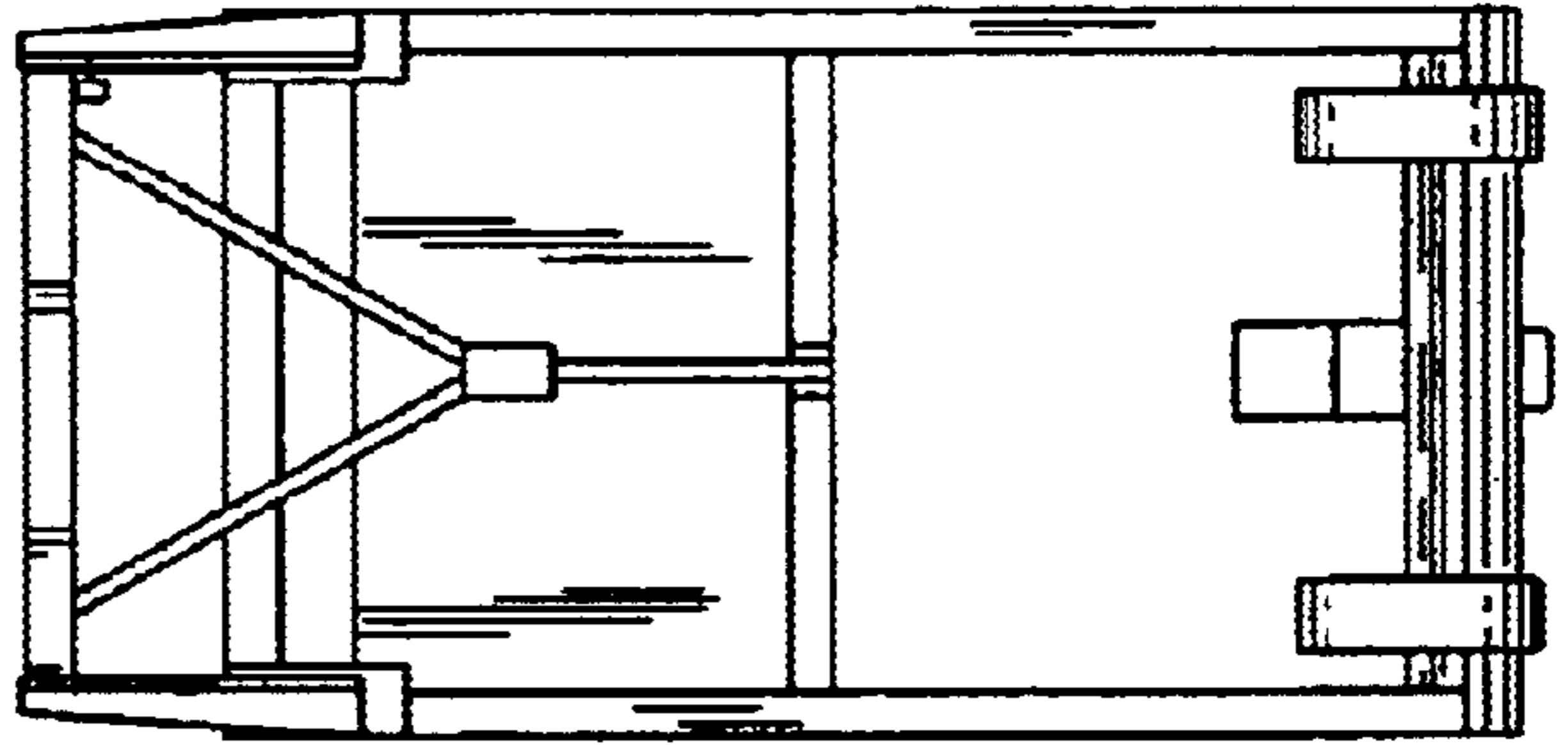
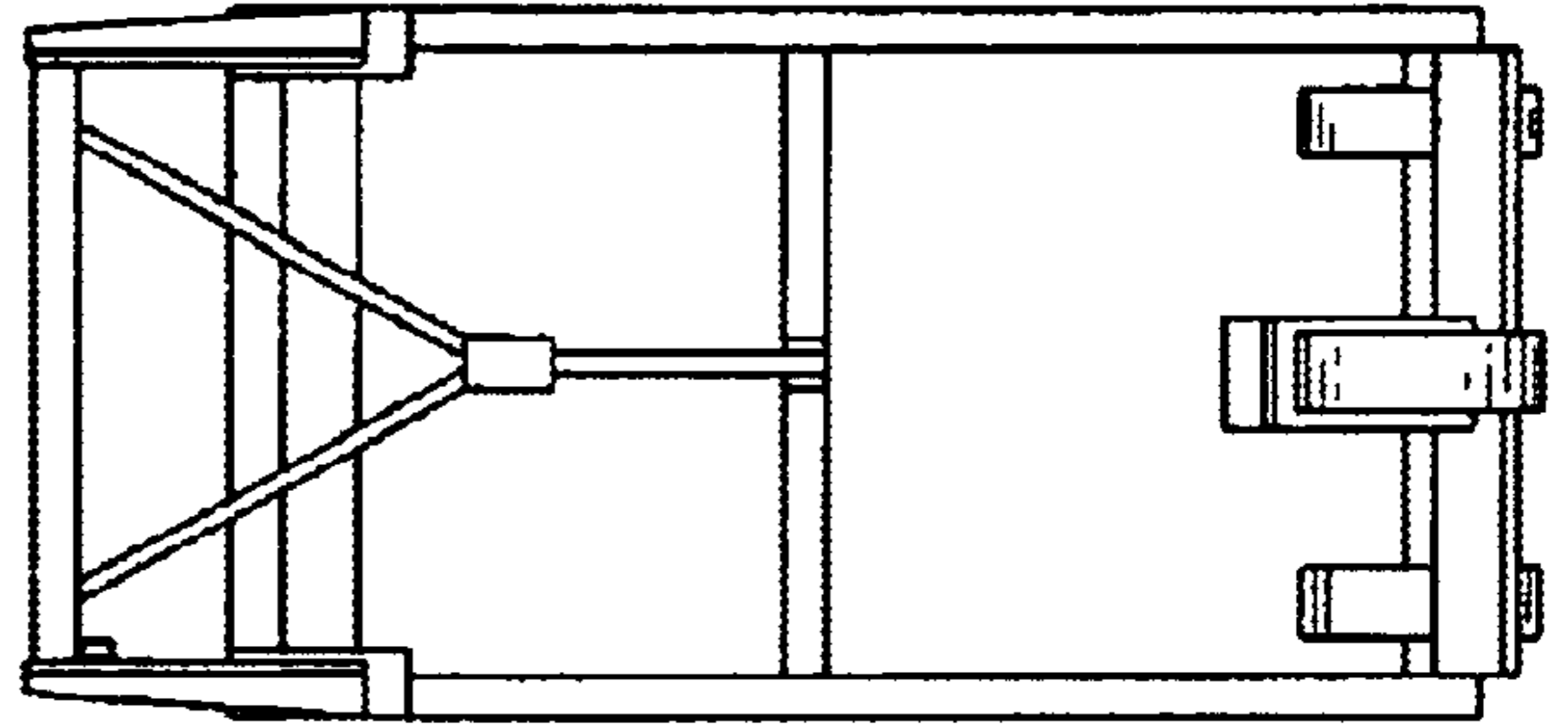
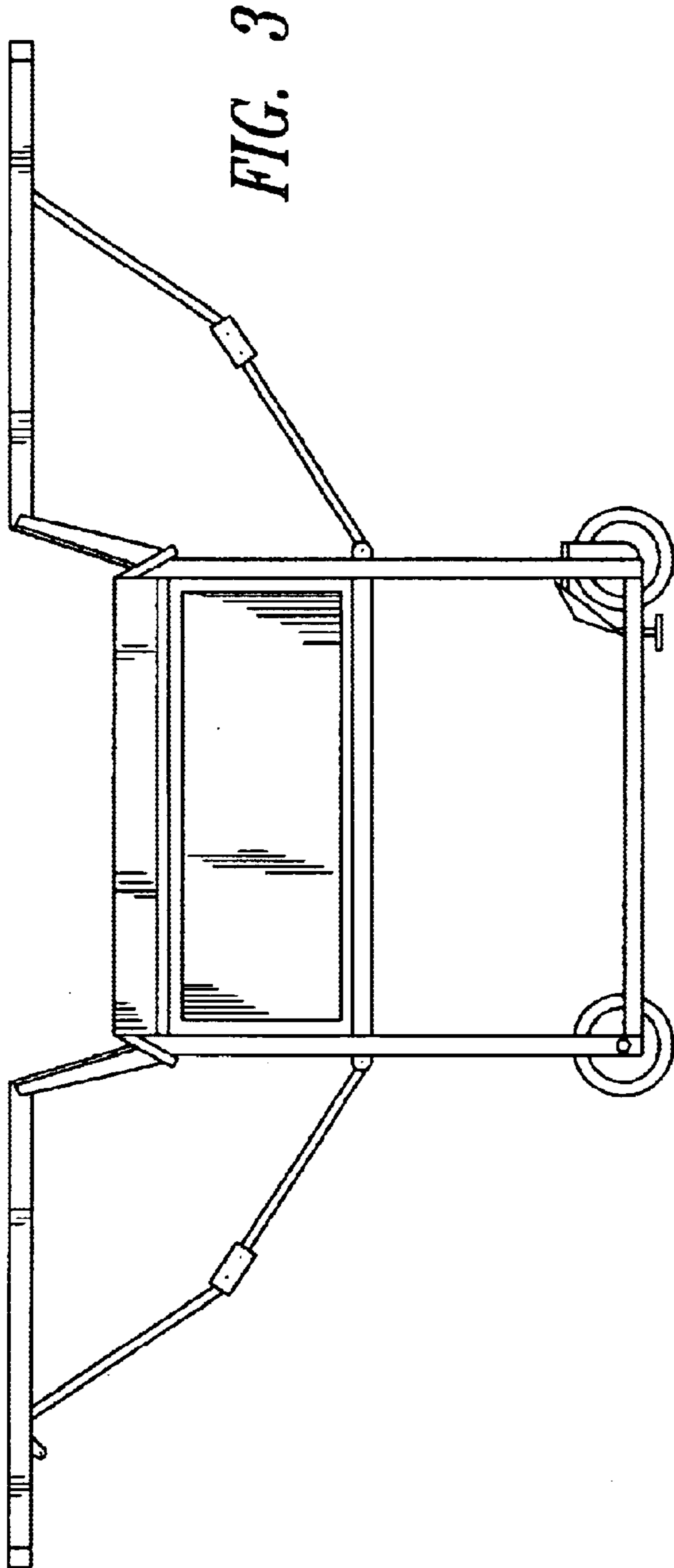
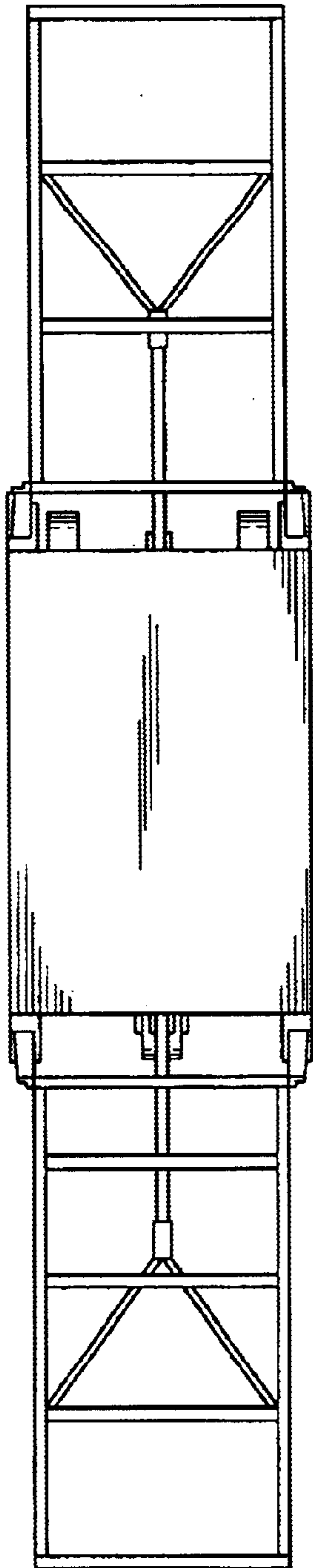
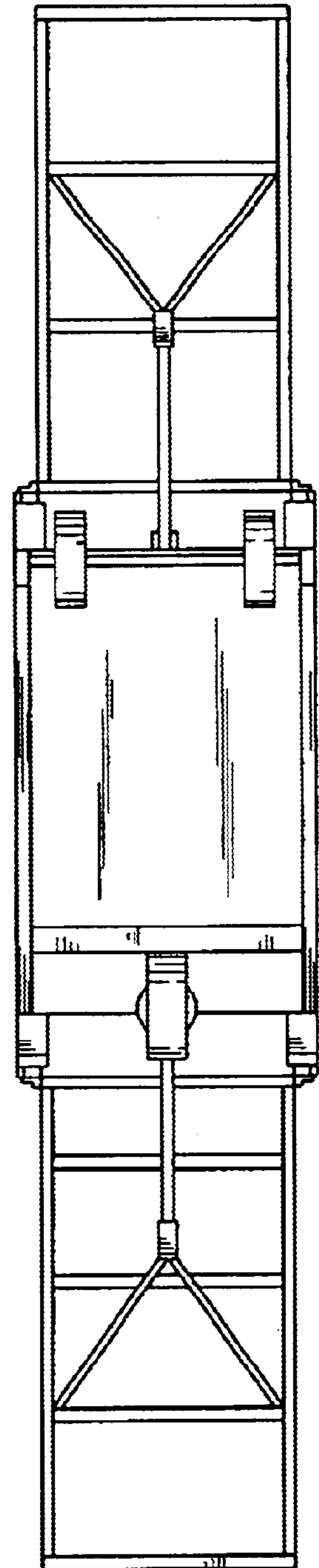


FIG. 2





*FIG. 5*



*FIG. 6*