



US00D491704S

(12) **United States Design Patent**
Shin

(10) **Patent No.:** **US D491,704 S**

(45) **Date of Patent:** **** Jun. 15, 2004**

(54) **BODY OF VACUUM CLEANER**

(75) Inventor: **Hyon Seon Shin**, Kyunggi-do (KR)

(73) Assignee: **LG Electronics Inc.**, Seoul (KR)

(**) Term: **14 Years**

(21) Appl. No.: **29/169,618**

(22) Filed: **Oct. 24, 2002**

(30) **Foreign Application Priority Data**

Apr. 30, 2002 (KR) 30-2002-12615

(51) **LOC (7) Cl.** **15-05**

(52) **U.S. Cl.** **D32/23**

(58) **Field of Search** D32/21, 23-24,
D32/31, 25, 17-18; 15/327.1, 327.2, 327.3,
327.4, 327.5, 327.6, 327.7, 321, 323, 353,
344, 329, 410

(56) **References Cited**

U.S. PATENT DOCUMENTS

D399,617 S * 10/1998 Fujita D32/21

D417,046 S * 11/1999 Tsuruha et al. D32/21

D430,366 S * 8/2000 Sato et al. D32/21

D448,128 S * 9/2001 Oh D32/21

D461,606 S * 8/2002 Kim D32/21

D476,783 S * 7/2003 Kondo et al. D32/21

D477,443 S * 7/2003 Kondo et al. D32/21

* cited by examiner

Primary Examiner—Ruth McInroy

(74) *Attorney, Agent, or Firm*—Birch, Stewart, Kolasch & Birch, LLP

(57) **CLAIM**

I claim the ornamental design for a body of vacuum cleaner, as shown and described.

DESCRIPTION

FIG. 1 is a perspective view of a body of vacuum cleaner showing the new design;

FIG. 2 is a front view thereof;

FIG. 3 is a rear view thereof;

FIG. 4 is a left-side view thereof;

FIG. 5 is a right-side view thereof;

FIG. 6 is a top plan view thereof; and,

FIG. 7 is a bottom plan view thereof.

1 Claim, 7 Drawing Sheets

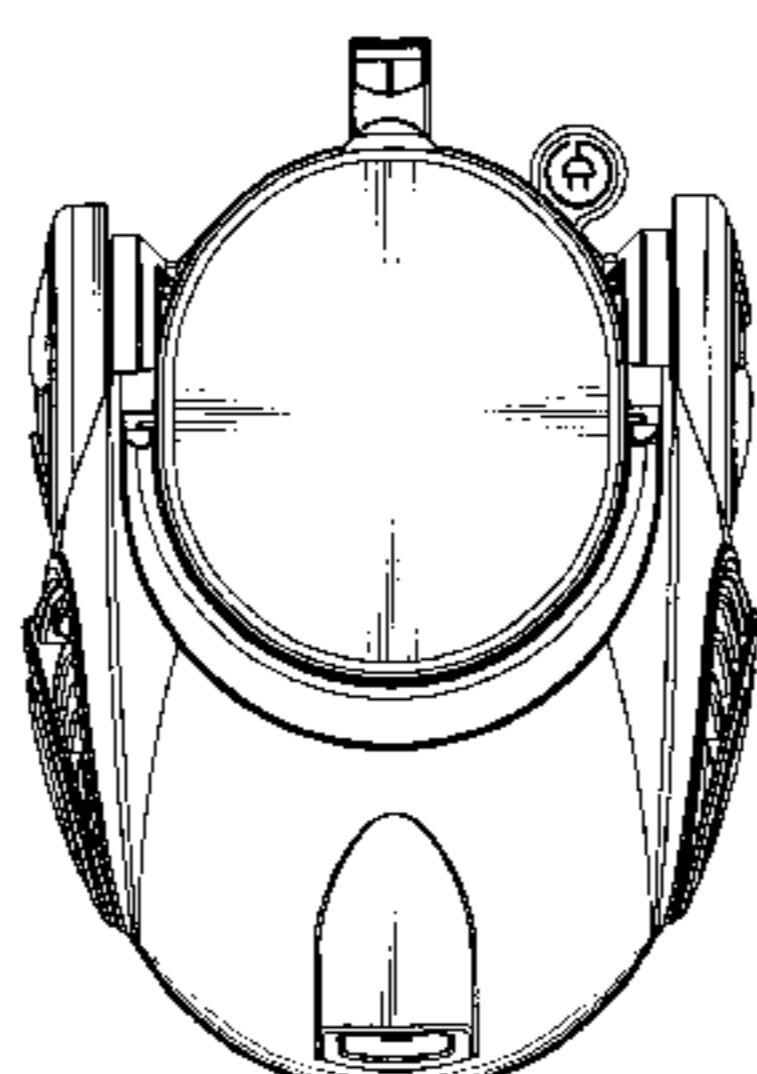
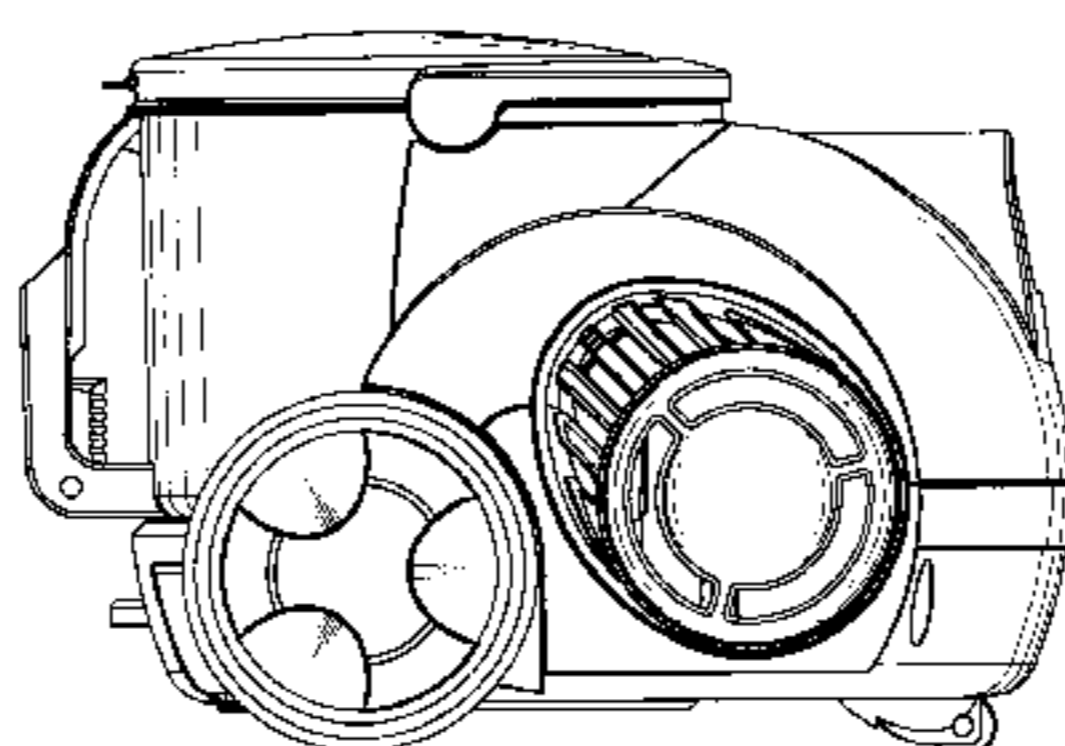
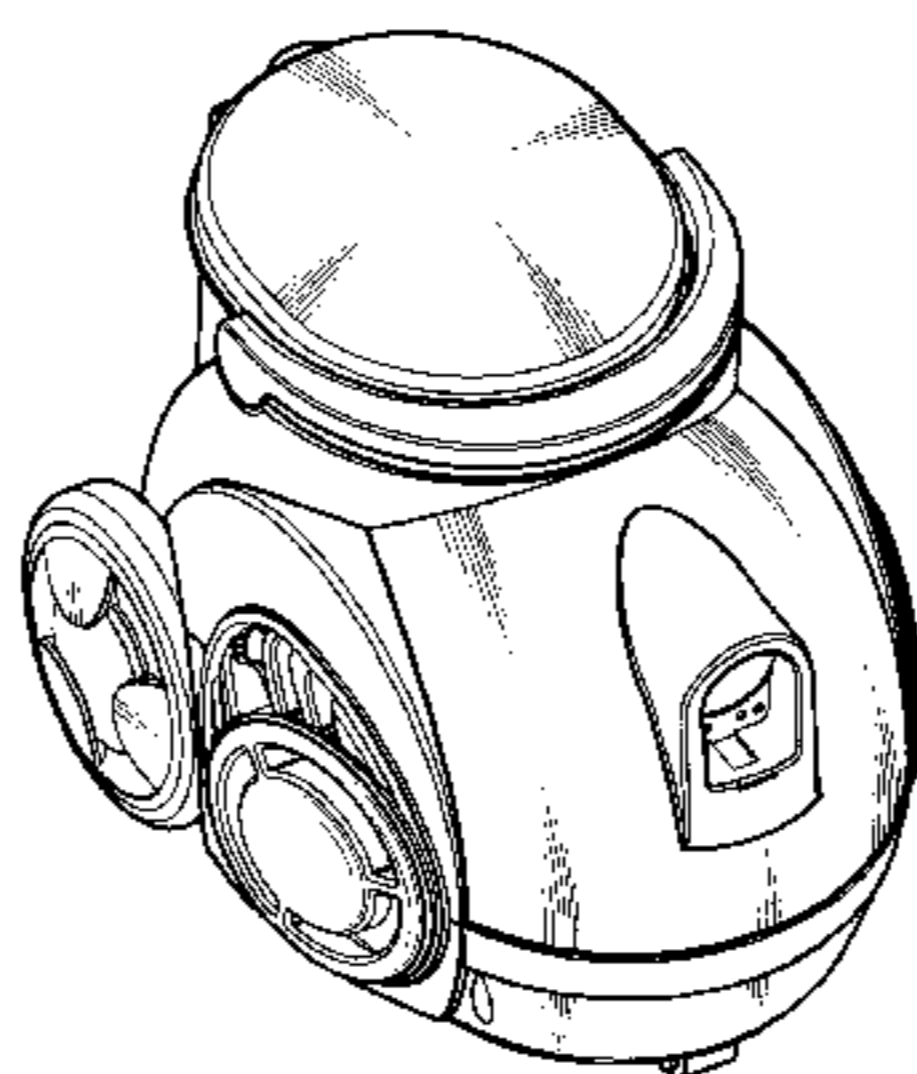


FIG. 1

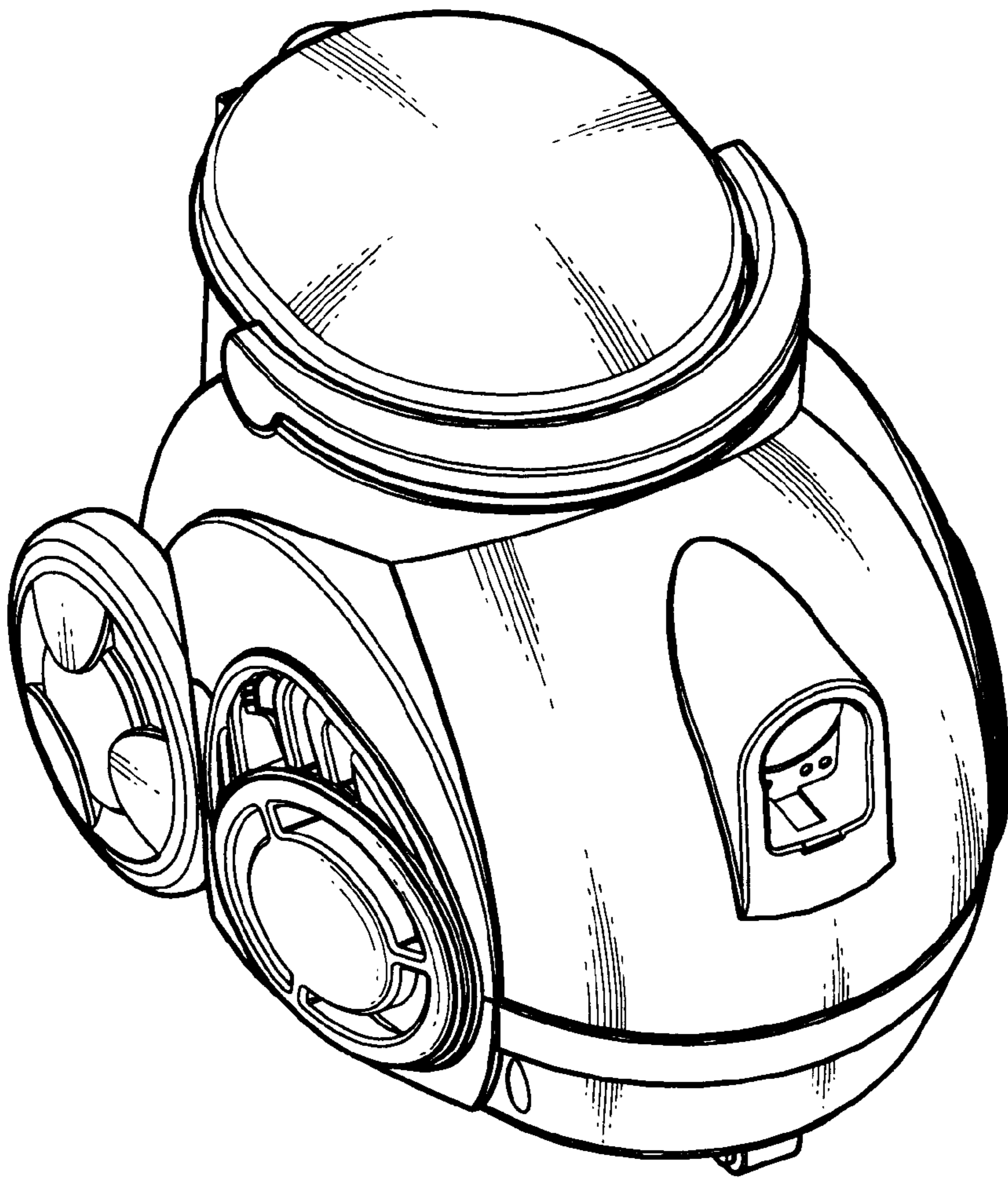


FIG. 2

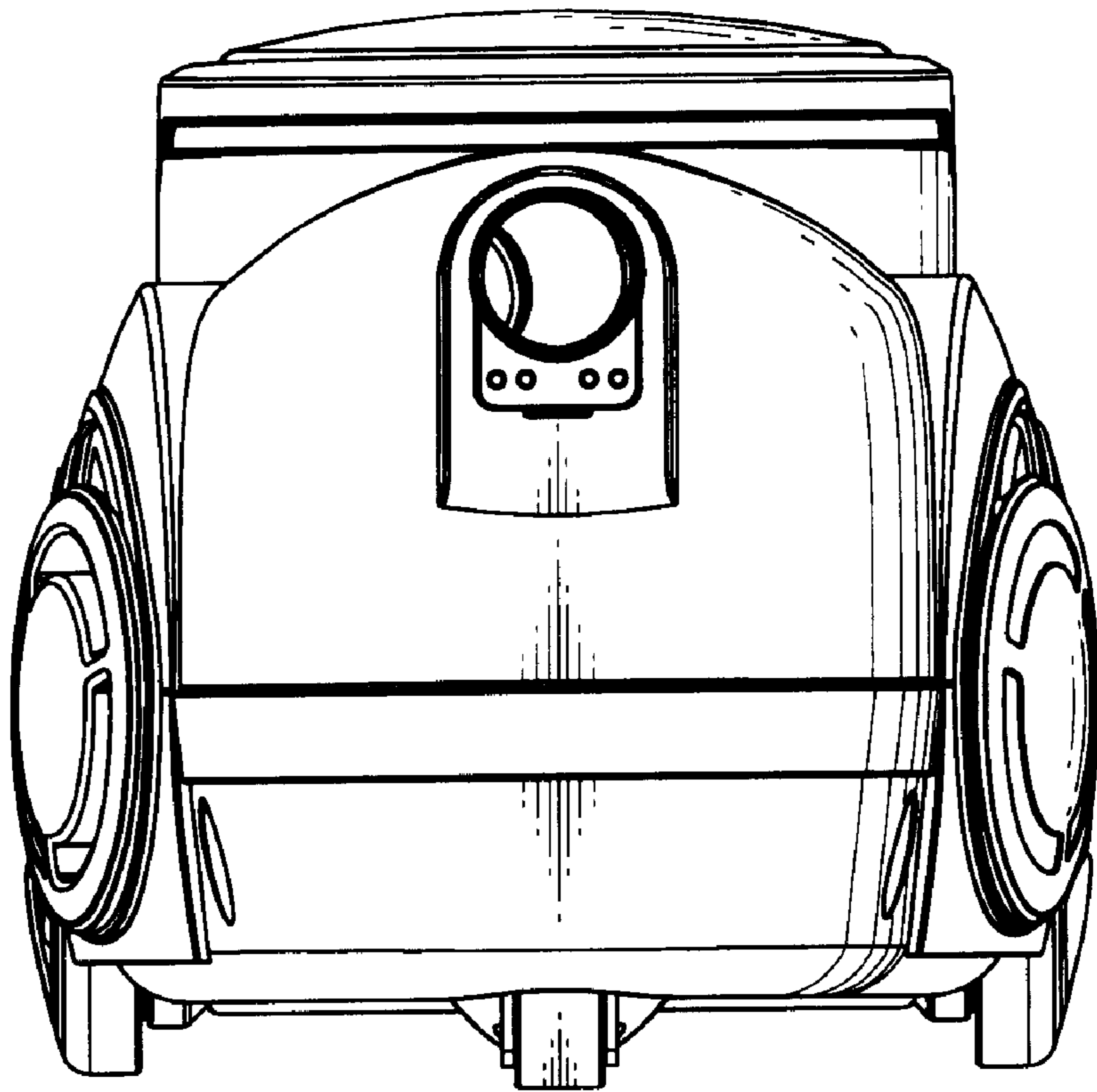


FIG. 3

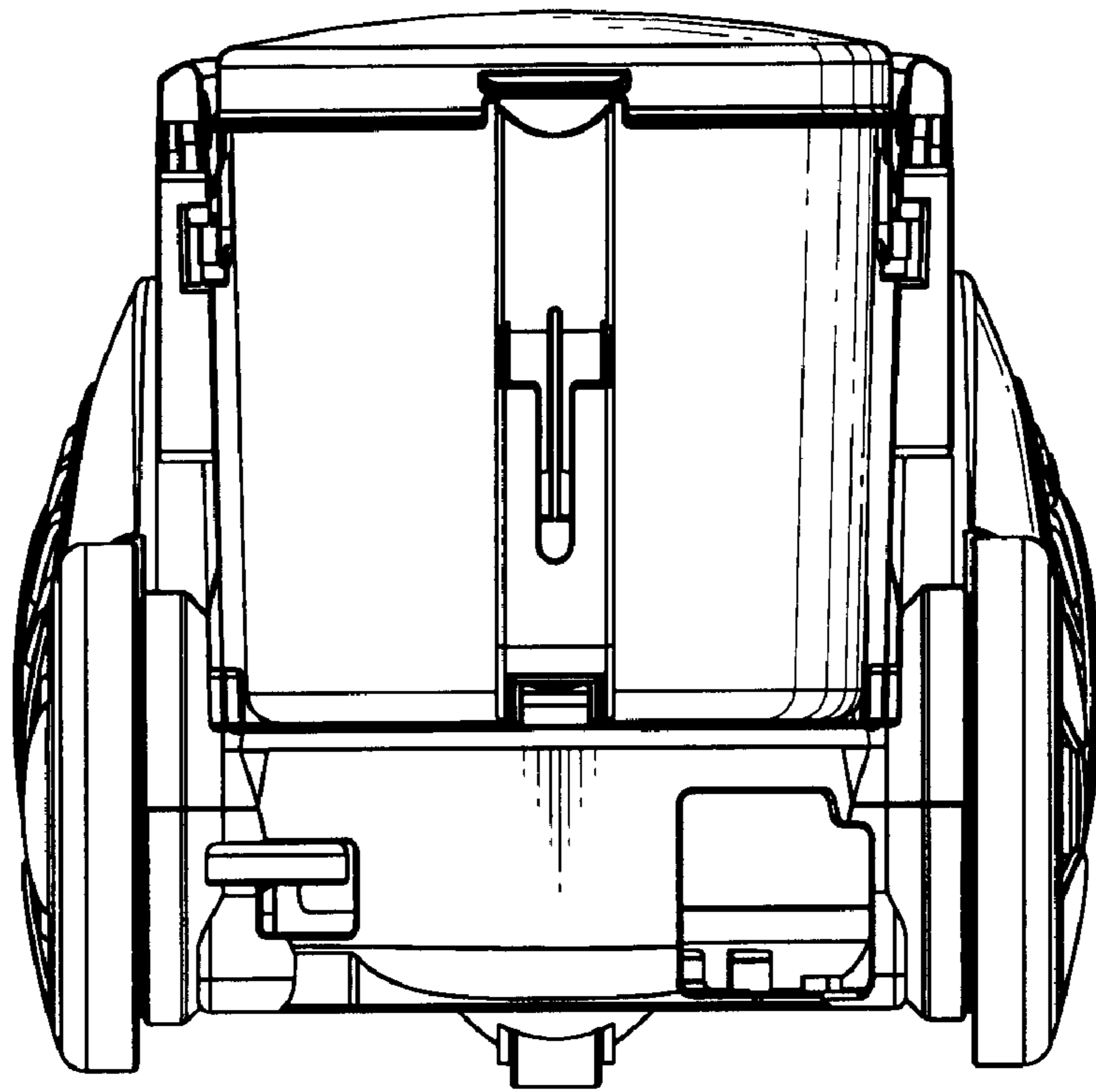


FIG. 4

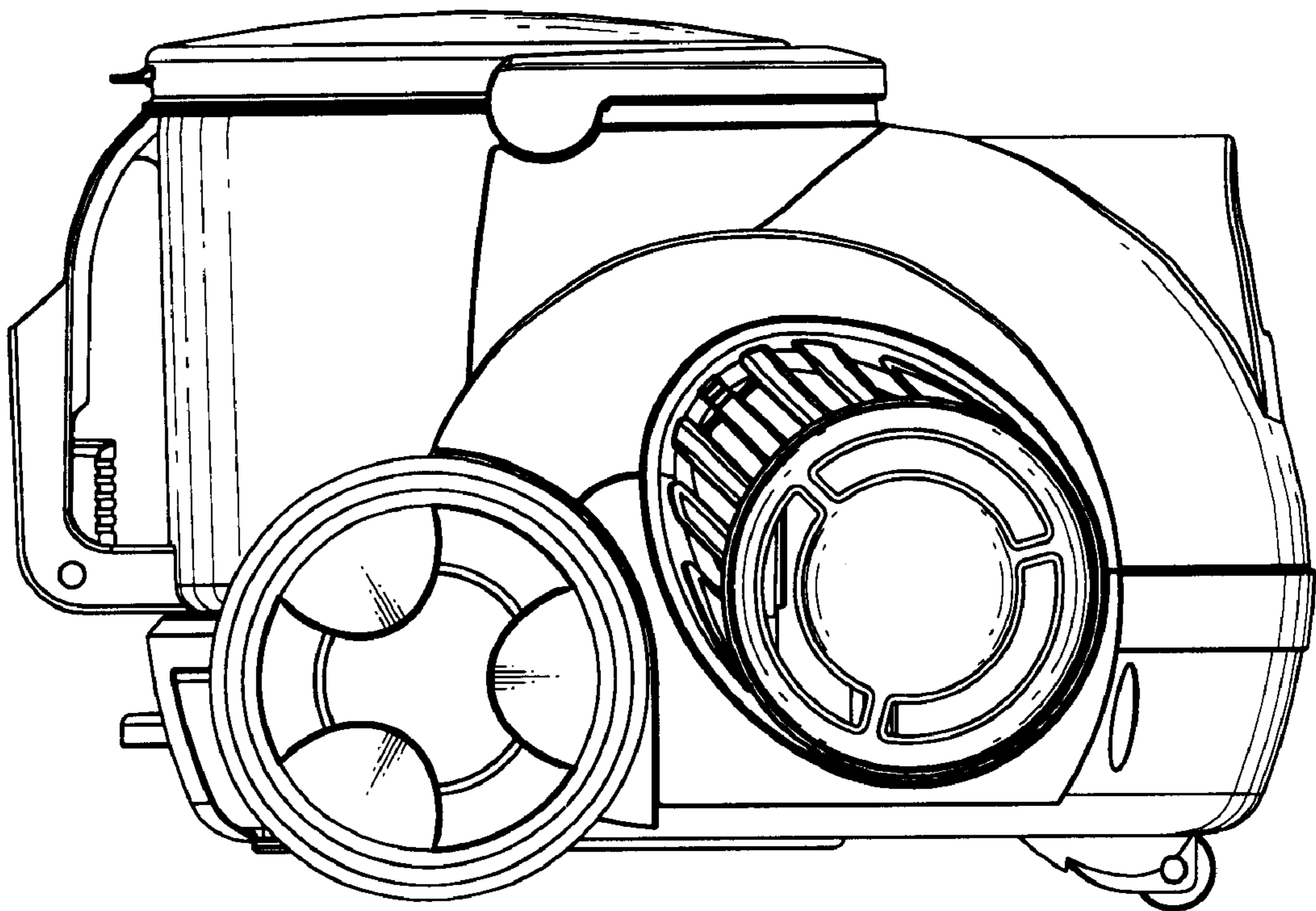


FIG. 5

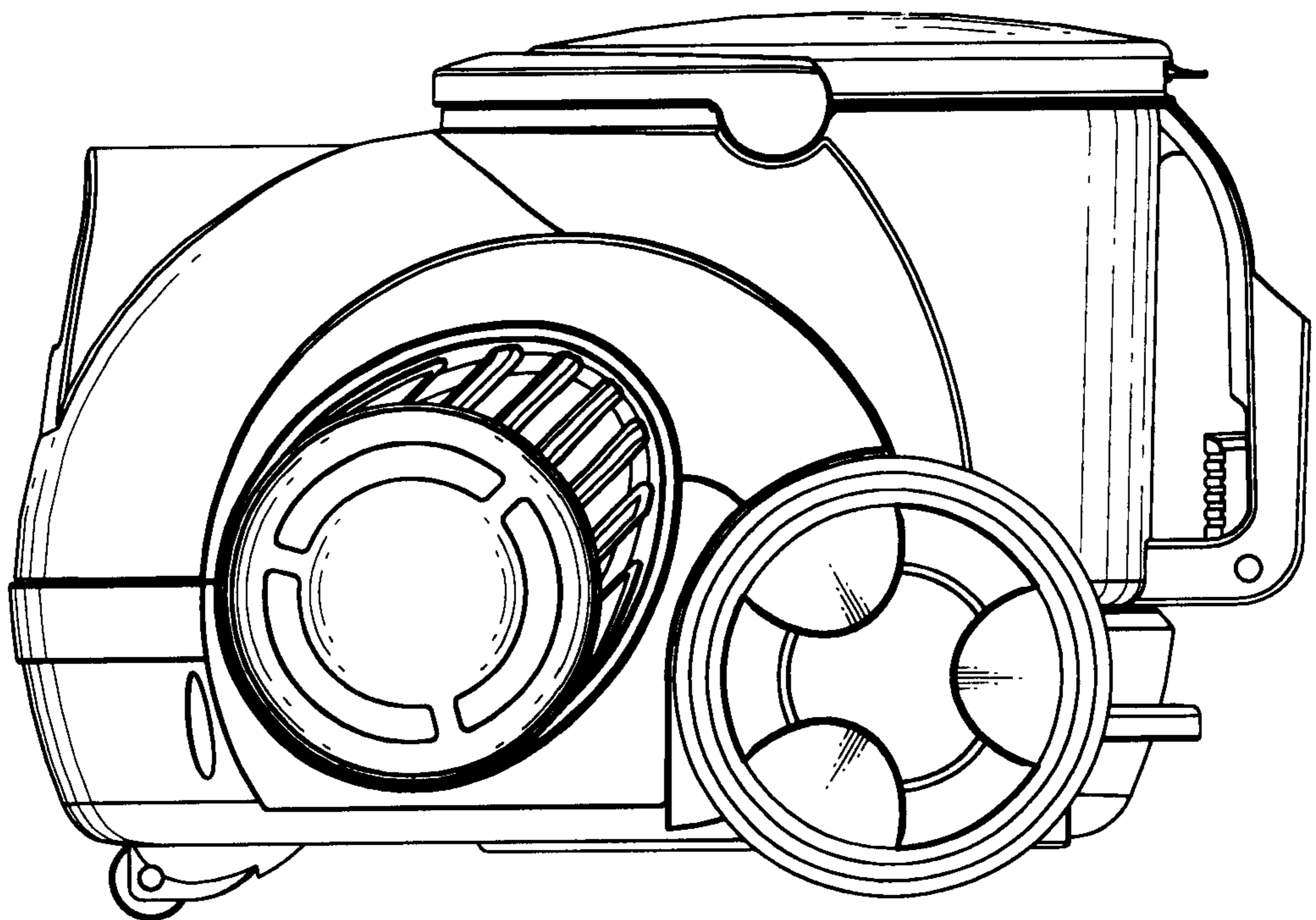


FIG. 6

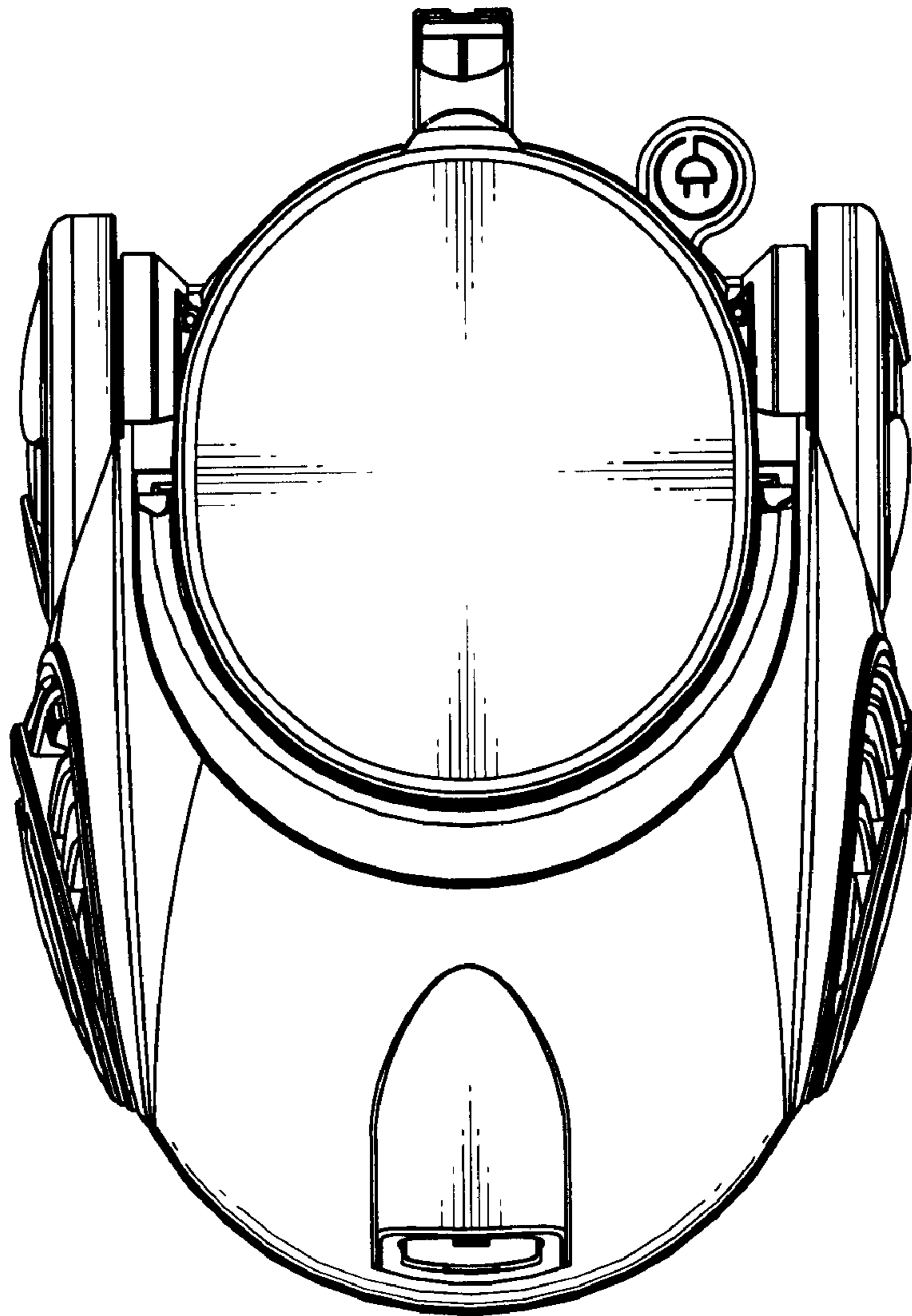


FIG. 7

