



US00D491699S

(12) **United States Design Patent**  
**Keeler**

(10) **Patent No.:** **US D491,699 S**

(45) **Date of Patent:** **\*\* Jun. 15, 2004**

(54) **HORSE OWNER'S AND FARRIER'S STAND**

1,198,467 A \* 9/1916 Maltby ..... 168/44  
1,278,628 A \* 9/1918 France et al. .... 168/44

(76) Inventor: **Kevin V. Keeler**, P.O. Box 8, Star, ID  
(US) 83669

\* cited by examiner

(\*\*) Term: **14 Years**

*Primary Examiner*—Pamela Burgess  
(74) *Attorney, Agent, or Firm*—Pedersen & Co., PLLC;  
Ken J. Pedersen; Barbara S. Pedersen

(21) Appl. No.: **29/176,414**

(22) Filed: **Feb. 19, 2003**

(57) **CLAIM**

The ornamental design for a horse owner's and farrier's stand, as shown and described.

**Related U.S. Application Data**

**DESCRIPTION**

(63) Continuation-in-part of application No. 10/008,681, filed on Dec. 4, 2001, which is a continuation-in-part of application No. 09/454,797, filed on Dec. 3, 1999, now Pat. No. 6,325,154.

FIG. 1 is a perspective view of the invented design for a horse owner's and farrier's stand, with a buttress design and a knob and a magnet.

(51) **LOC (7) Cl.** ..... **30-04**

(52) **U.S. Cl.** ..... **D30/143**; 168/44

FIG. 2 is a frontal view of the design depicted in FIG. 1.

(58) **Field of Search** ..... D30/146; 168/44;  
119/816, 755, 756, 757, 788

FIG. 3 is a side view of the design depicted in FIG. 1, taken from the right side.

FIG. 4 is a side view of the design depicted in FIG. 1, taken from the left side.

(56) **References Cited**

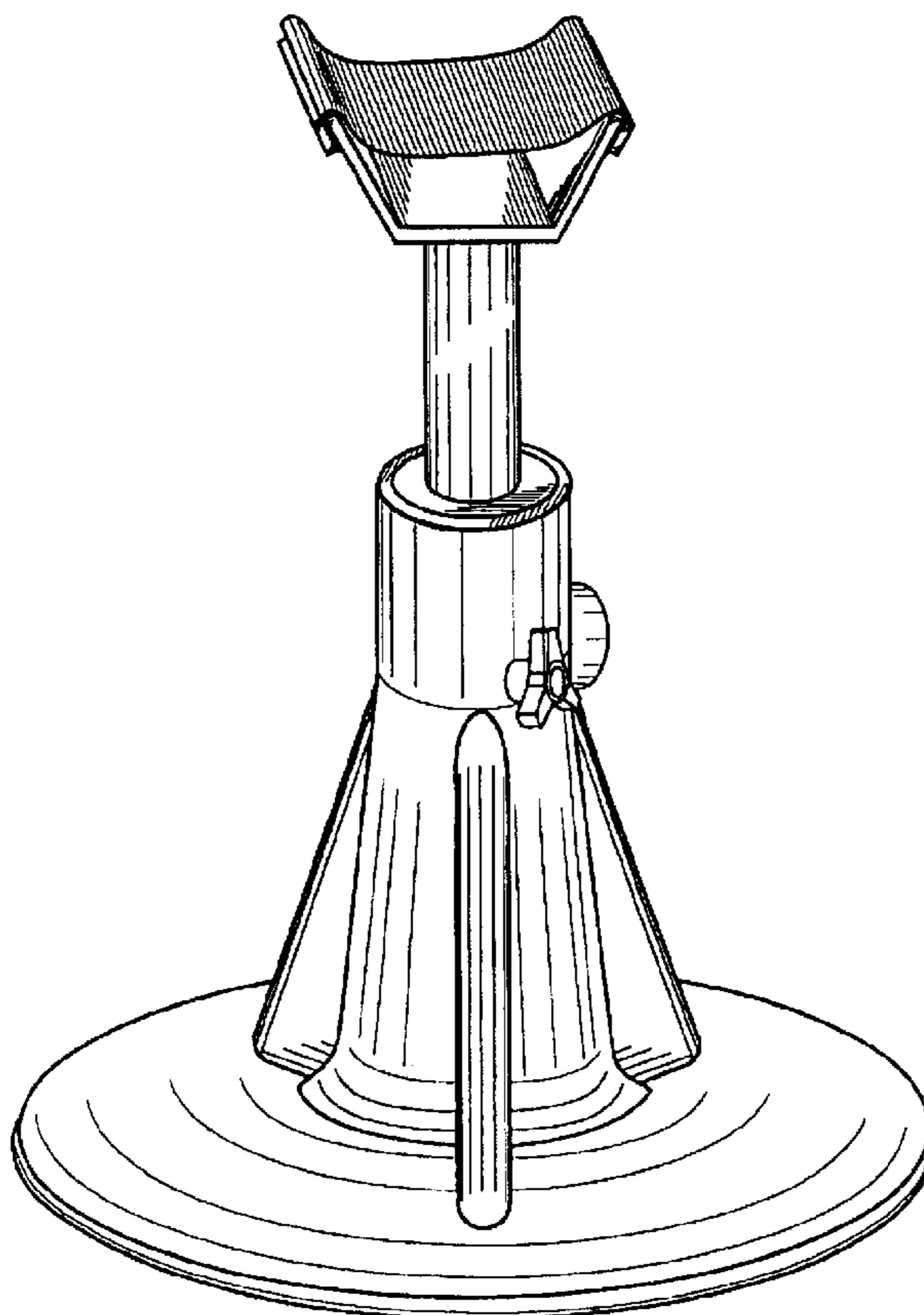
**U.S. PATENT DOCUMENTS**

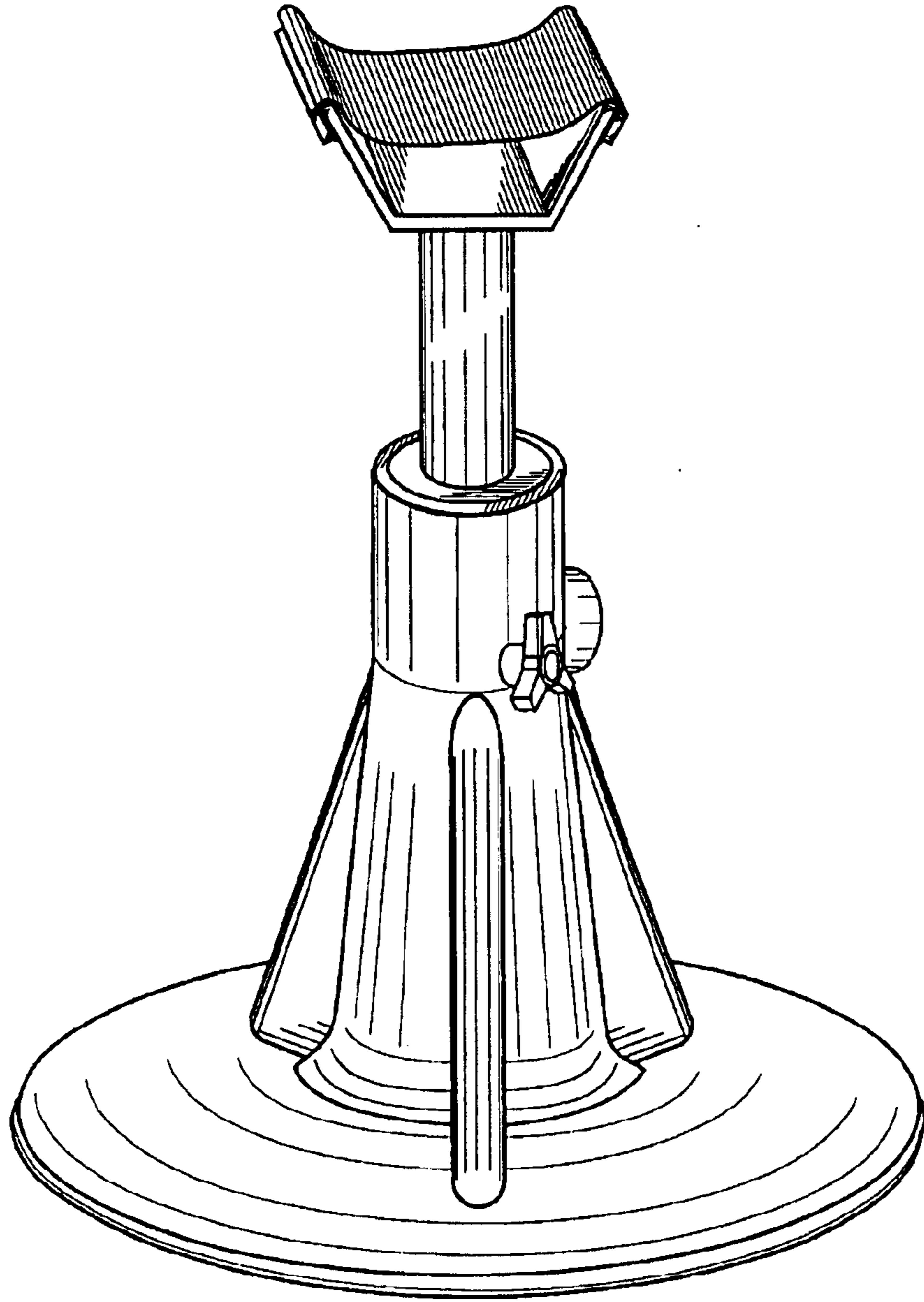
86,455 A \* 2/1869 Rogers et al. .... 168/44  
89,379 A \* 4/1869 Blackburn ..... 168/44

FIG. 5 is a bottom view of the design depicted in FIG. 1; and,

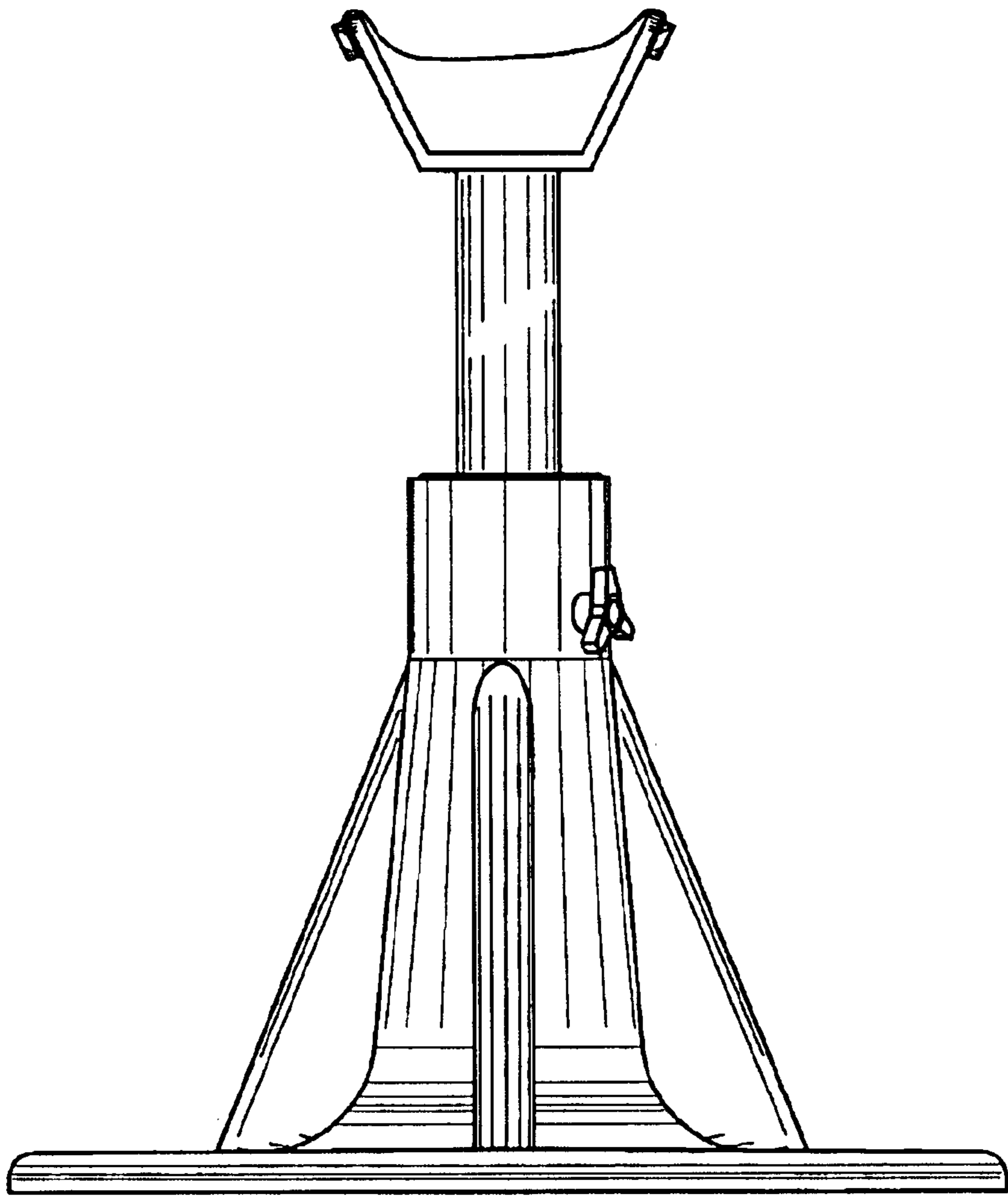
FIG. 6 is a top view of the design depicted in FIG. 1.

**1 Claim, 6 Drawing Sheets**

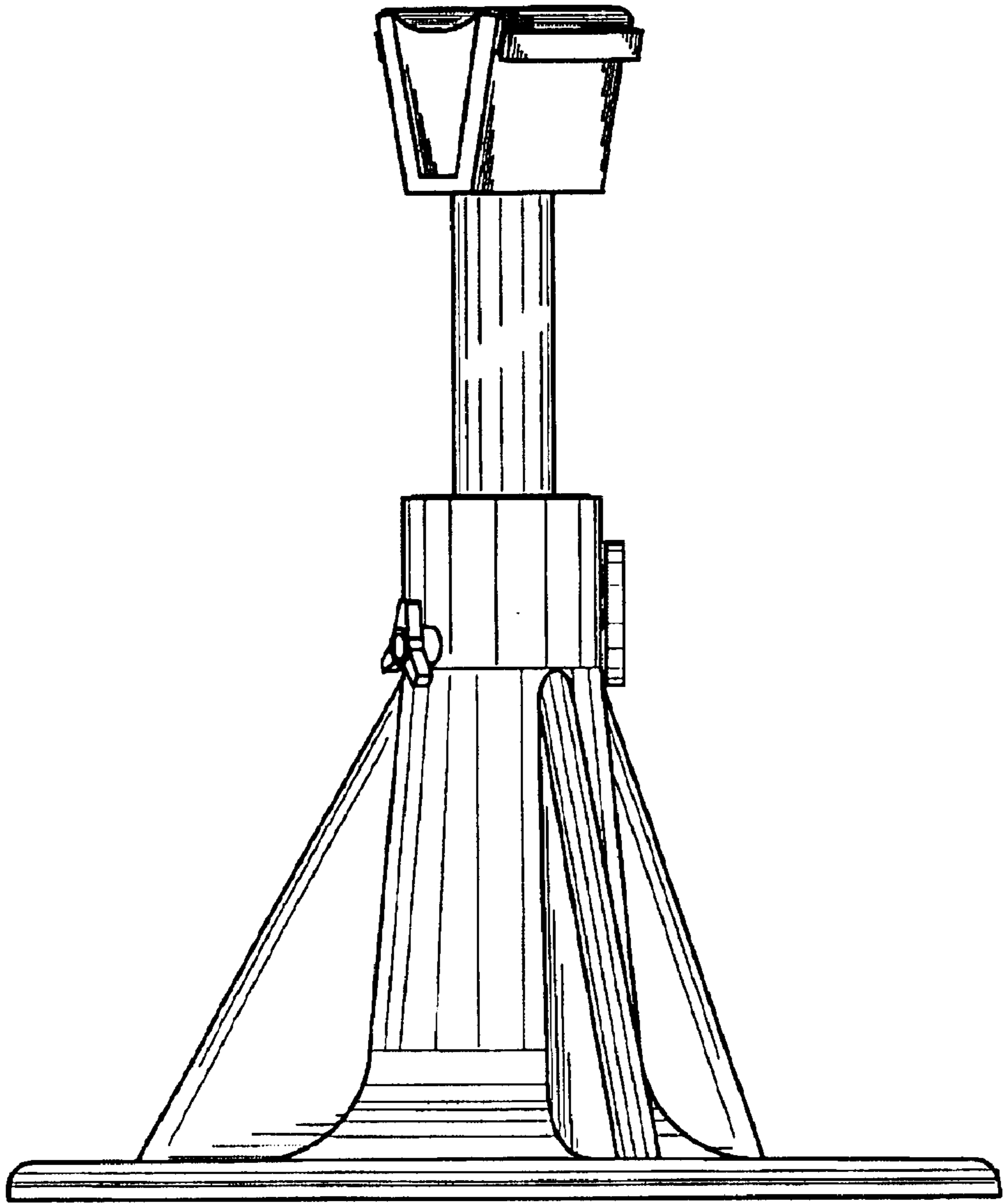




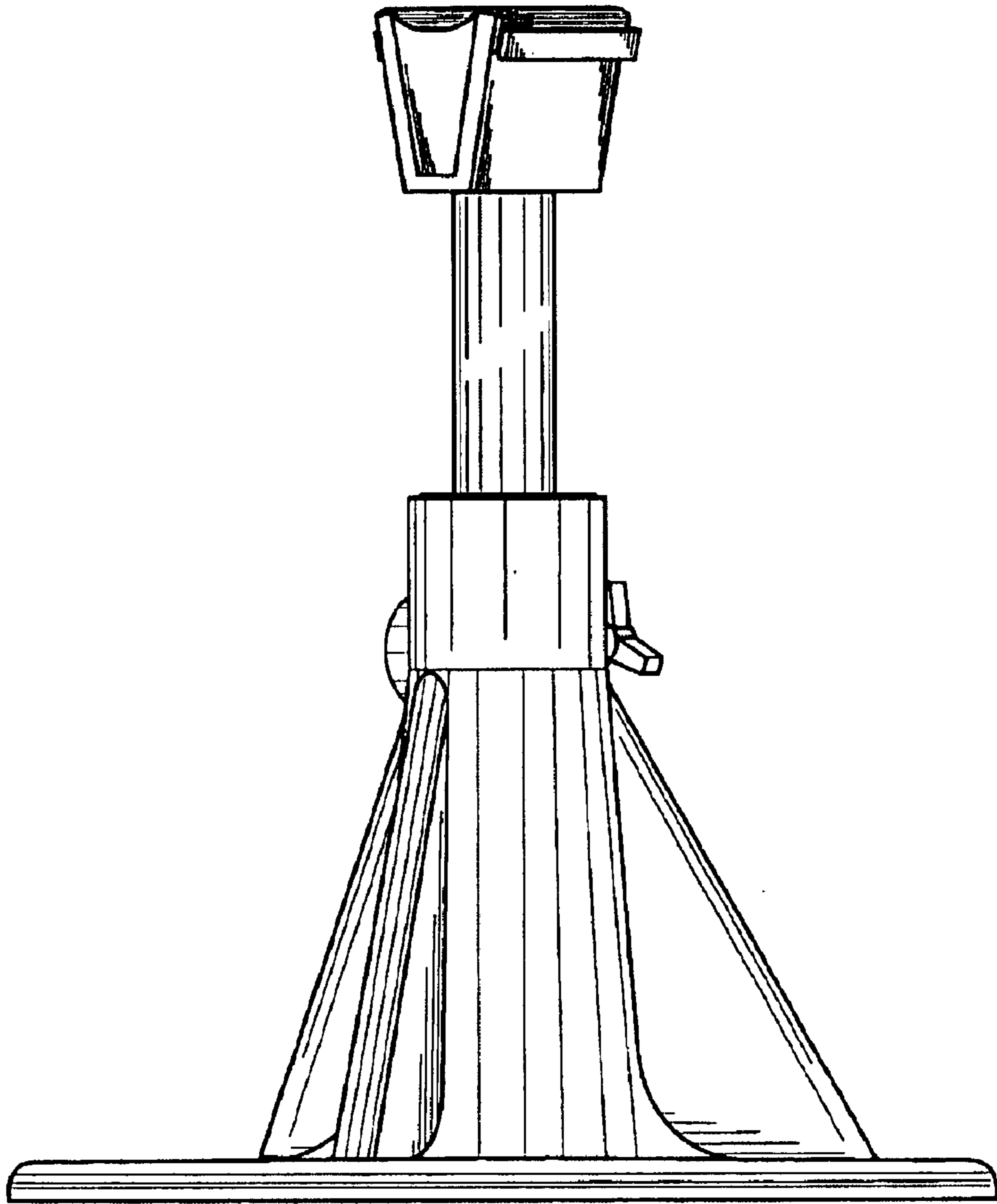
**FIG. 1**



**FIG. 2**



**FIG. 3**



**FIG. 4**

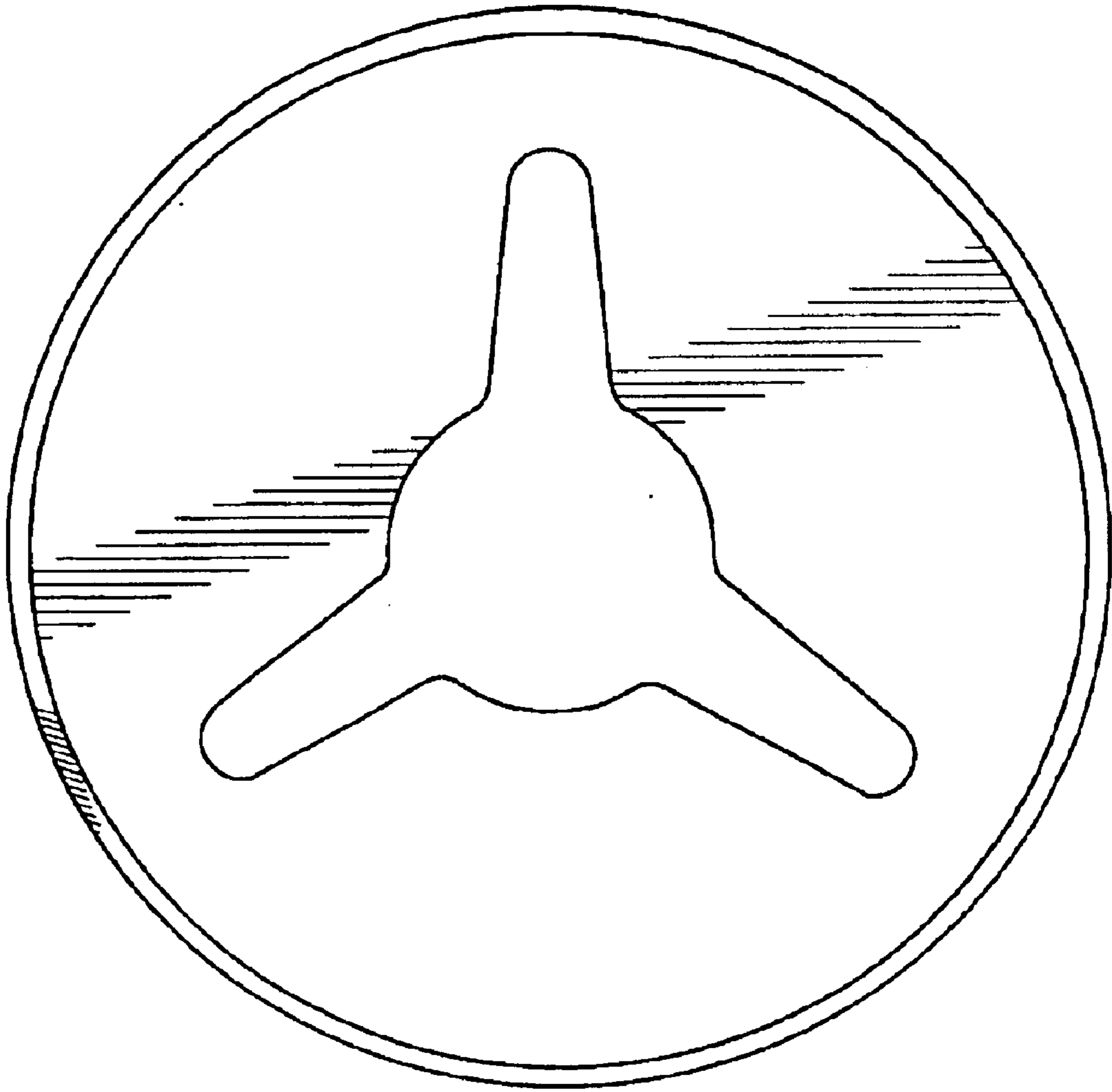
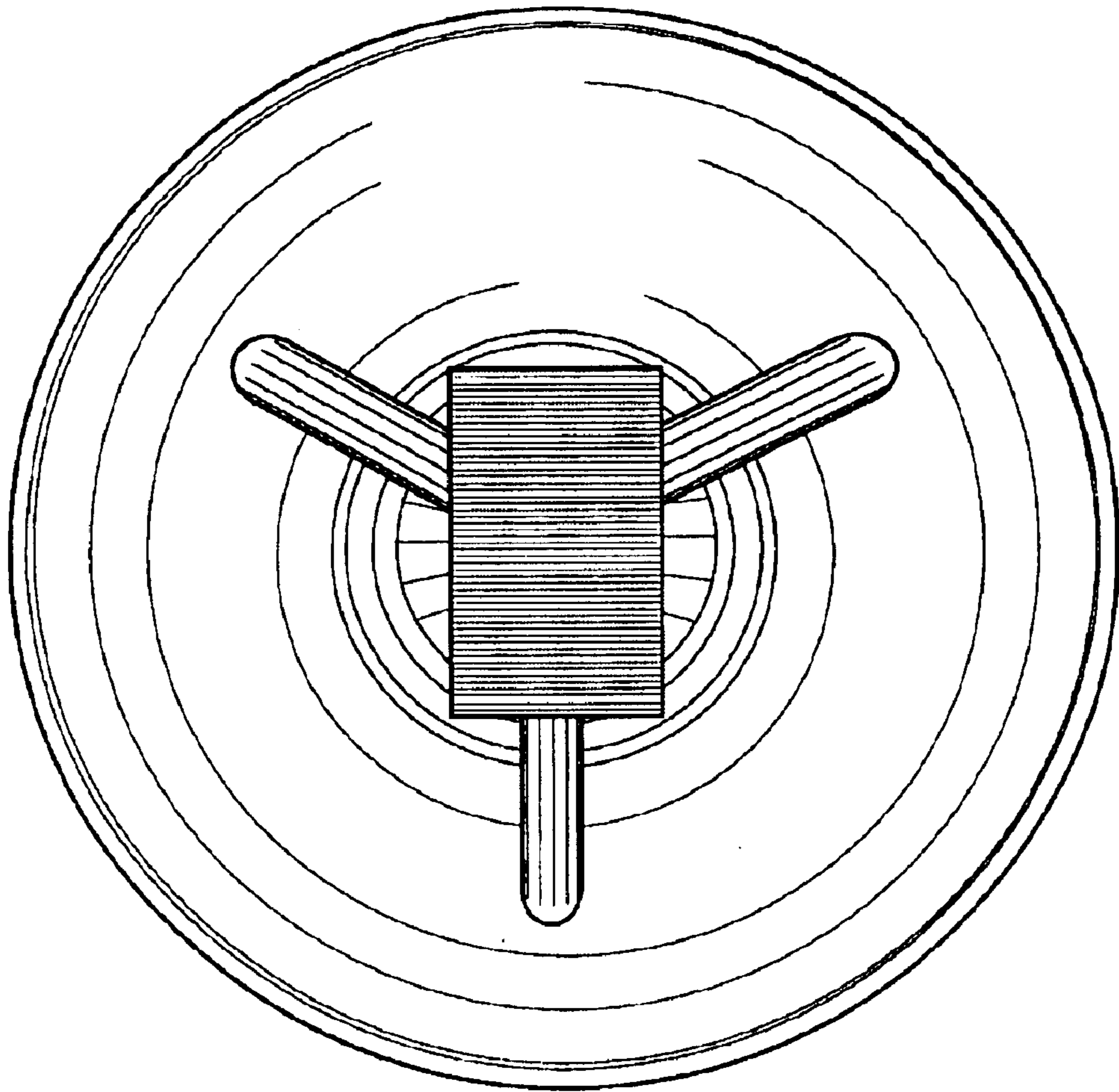


FIG. 5



**FIG. 6**