



US00D491693S

(12) **United States Design Patent**  
**Chen**

(10) **Patent No.:** **US D491,693 S**

(45) **Date of Patent:** **\*\* Jun. 15, 2004**

(54) **COSMETIC CONTAINER**

D480,179 S \* 9/2003 Lai ..... D28/82

(76) Inventor: **Jiaun Long Chen**, No. 33, Lane 155,  
Gwo An St., An Nan Dist., Tainan City  
(TW)

\* cited by examiner

*Primary Examiner*—Jennifer Rivard  
(74) *Attorney, Agent, or Firm*—Pro-Techtor International  
Services

(\*\*) Term: **14 Years**

(57) **CLAIM**

(21) Appl. No.: **29/189,474**

The ornamental design for a cosmetic container, as shown  
and described.

(22) Filed: **Sep. 4, 2003**

(51) **LOC (7) Cl.** ..... **28-03**

**DESCRIPTION**

(52) **U.S. Cl.** ..... **D28/83**

(58) **Field of Search** ..... D28/73, 76-79,  
D28/81-83; 206/581, 823; 132/293-307,  
314-315; 220/DIG. 26

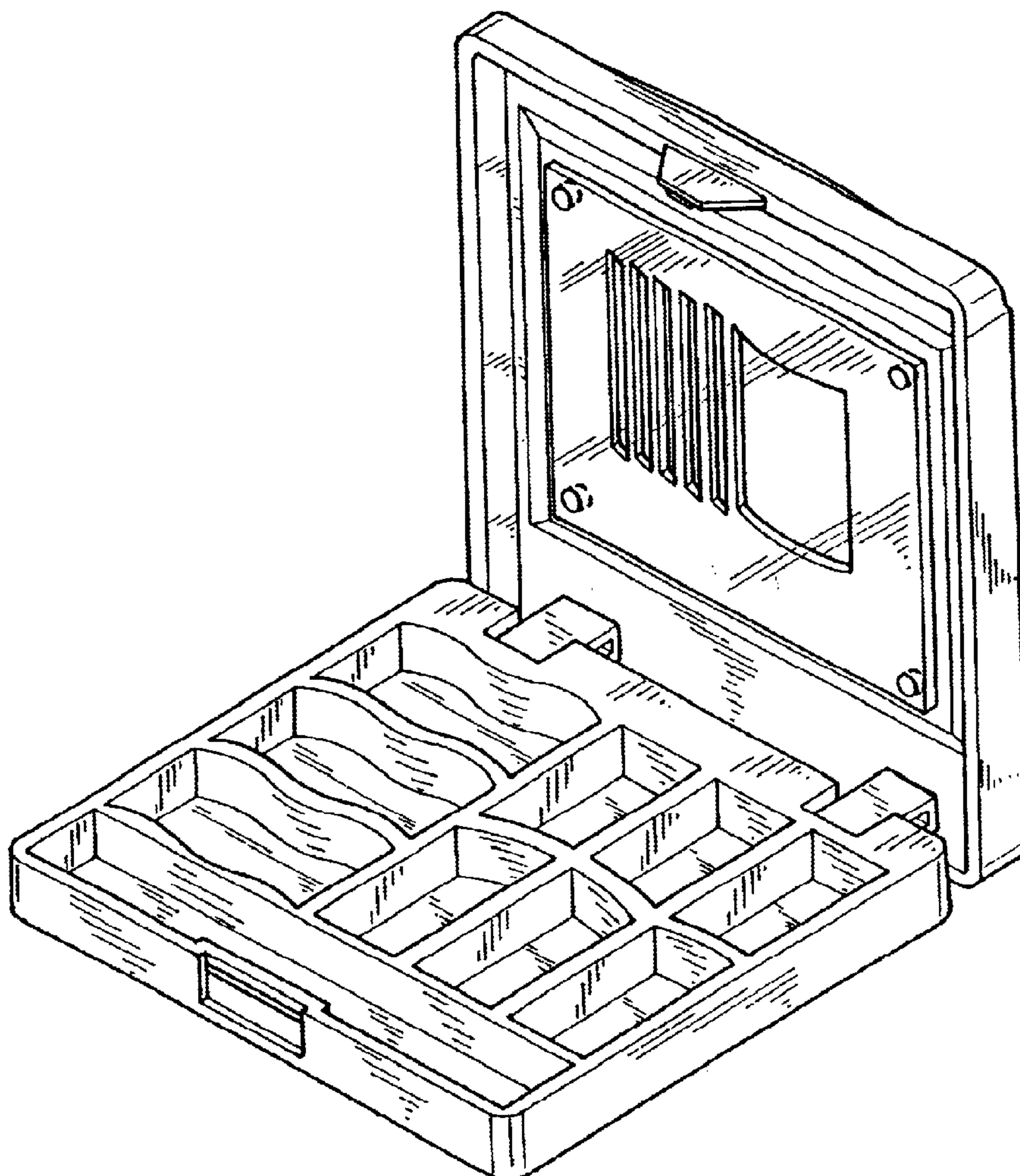
FIG. 1 is a perspective view of a cosmetic container showing  
my new design;  
FIG. 2 is a front view of the design;  
FIG. 3 is a rear view of the design;  
FIG. 4 is a left side view of the design;  
FIG. 5 is a right side view of the design;  
FIG. 6 is a top view of the design; and,  
FIG. 7 is a bottom view of the design.

(56) **References Cited**

**U.S. PATENT DOCUMENTS**

- 5,655,553 A \* 8/1997 Giese et al. .... 132/303
- D471,323 S \* 3/2003 Lai ..... D28/83
- D479,630 S \* 9/2003 Lai ..... D28/83

**1 Claim, 4 Drawing Sheets**



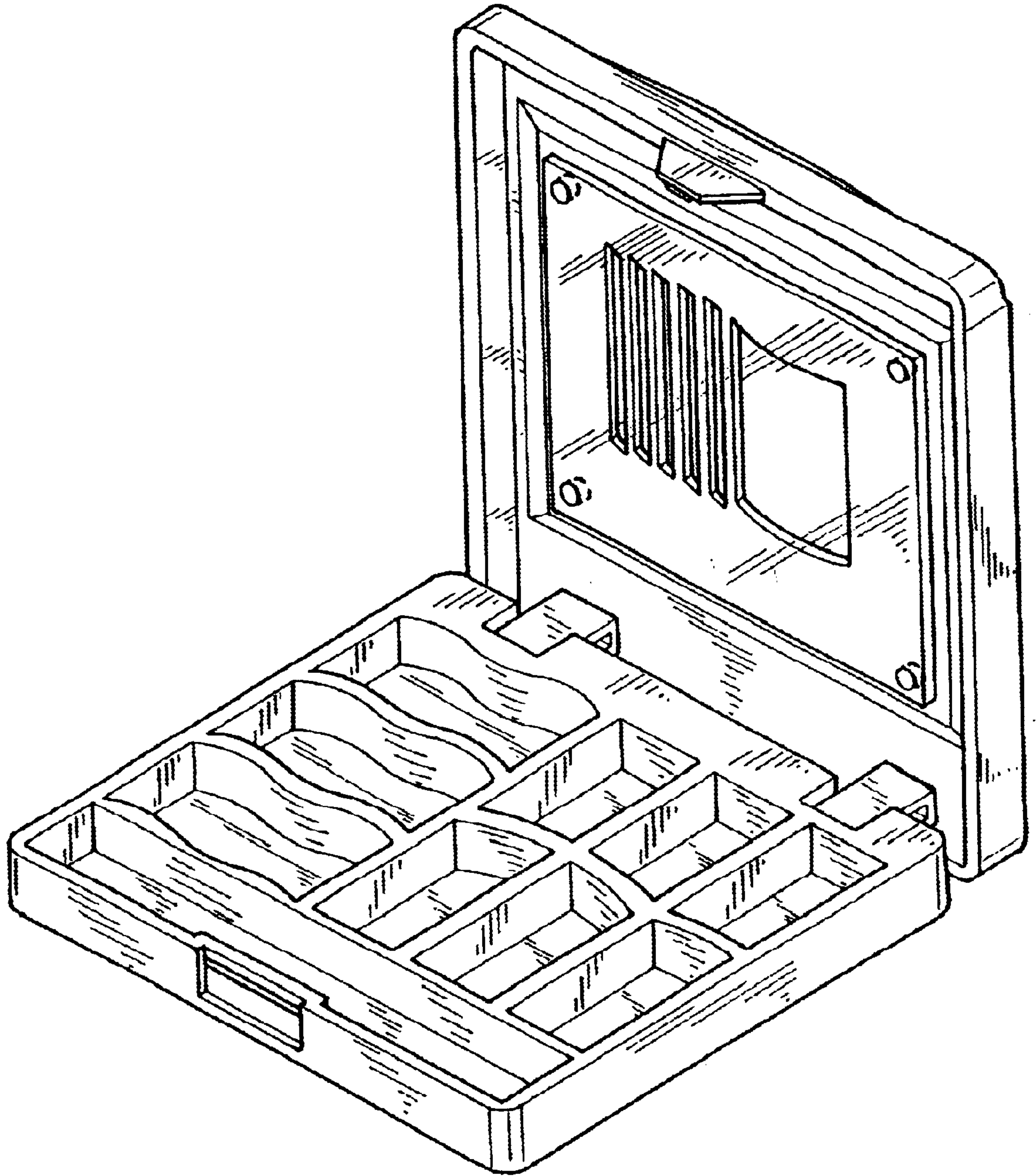


FIG. 1

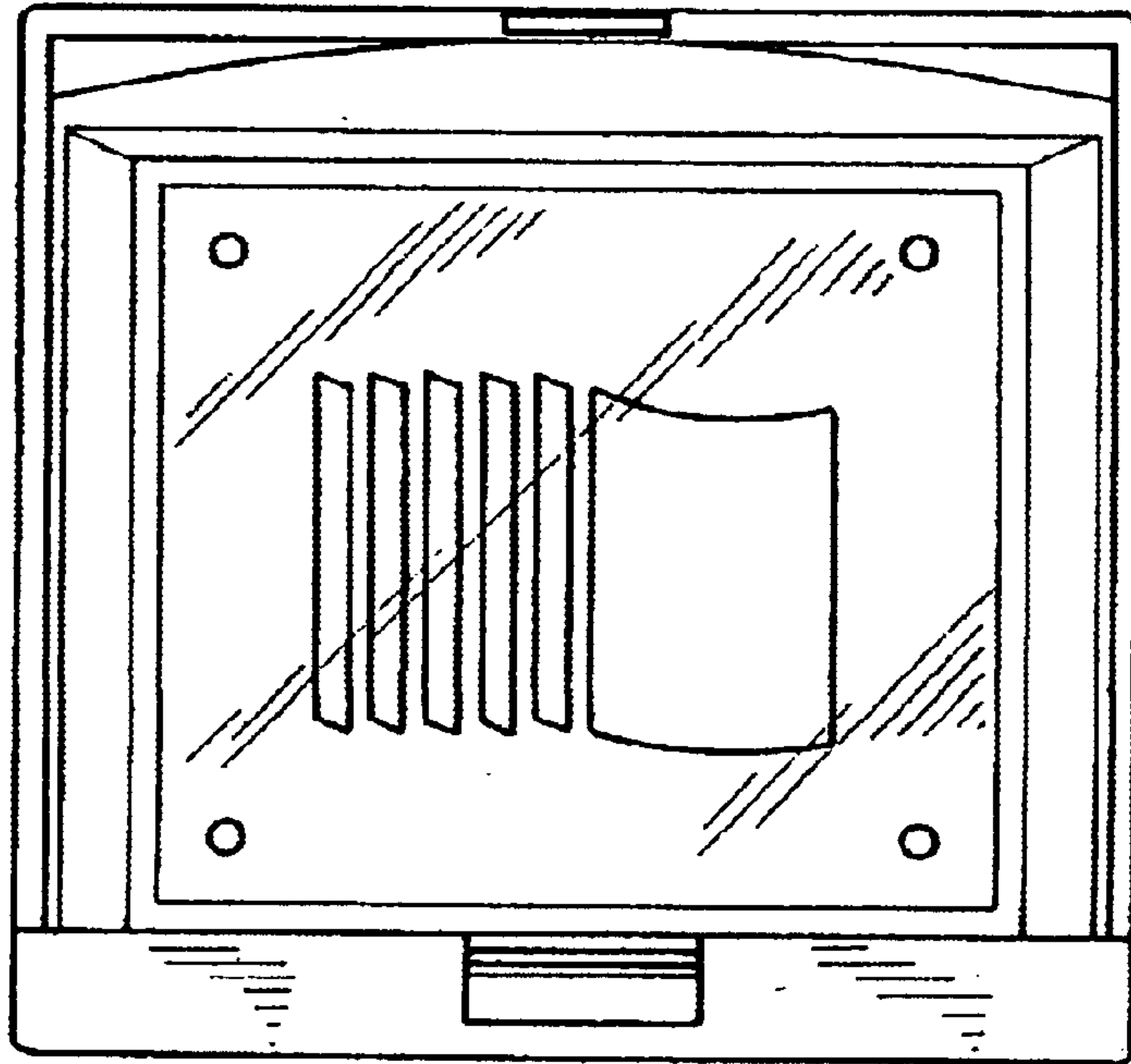


FIG. 2

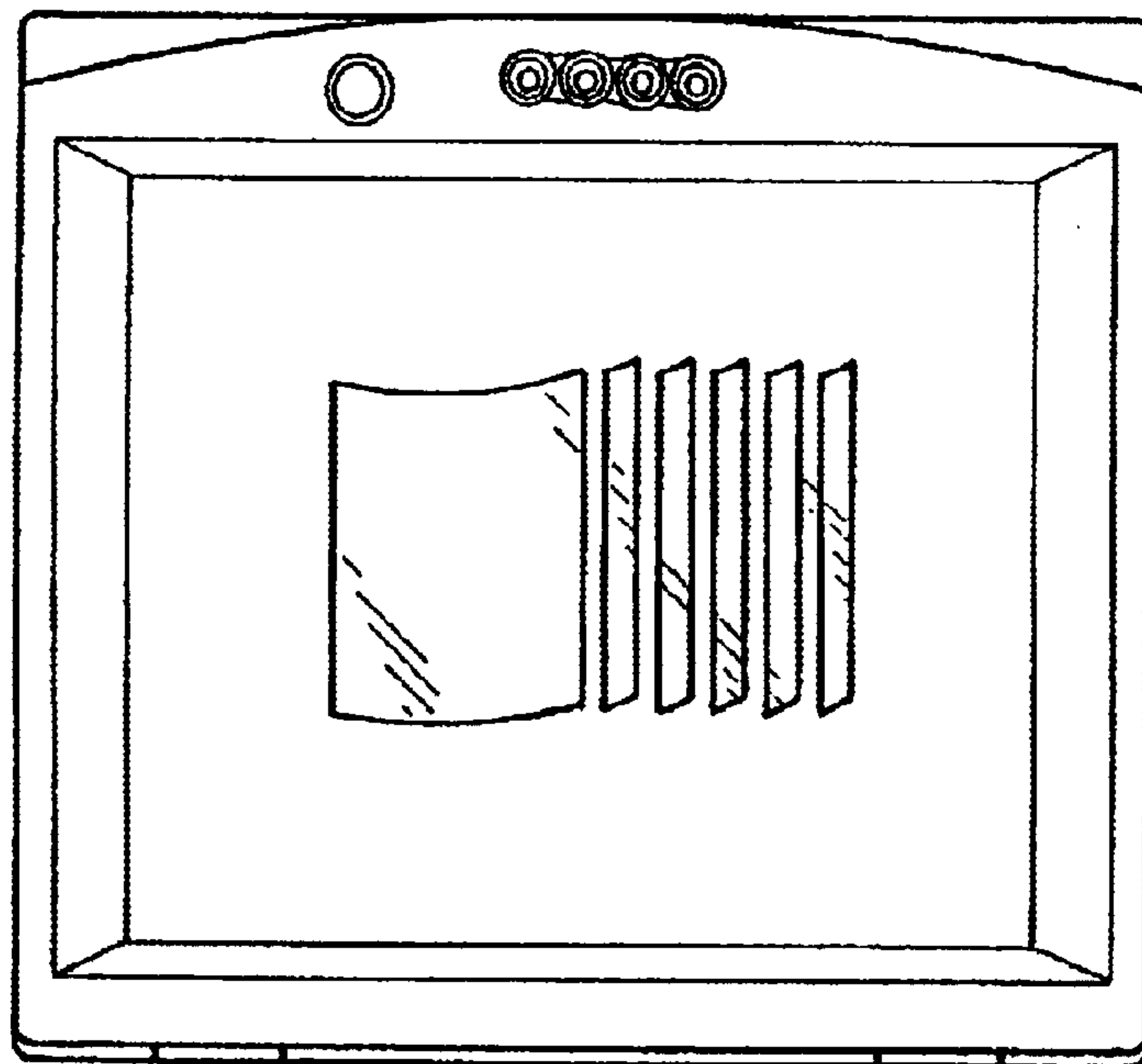


FIG. 3

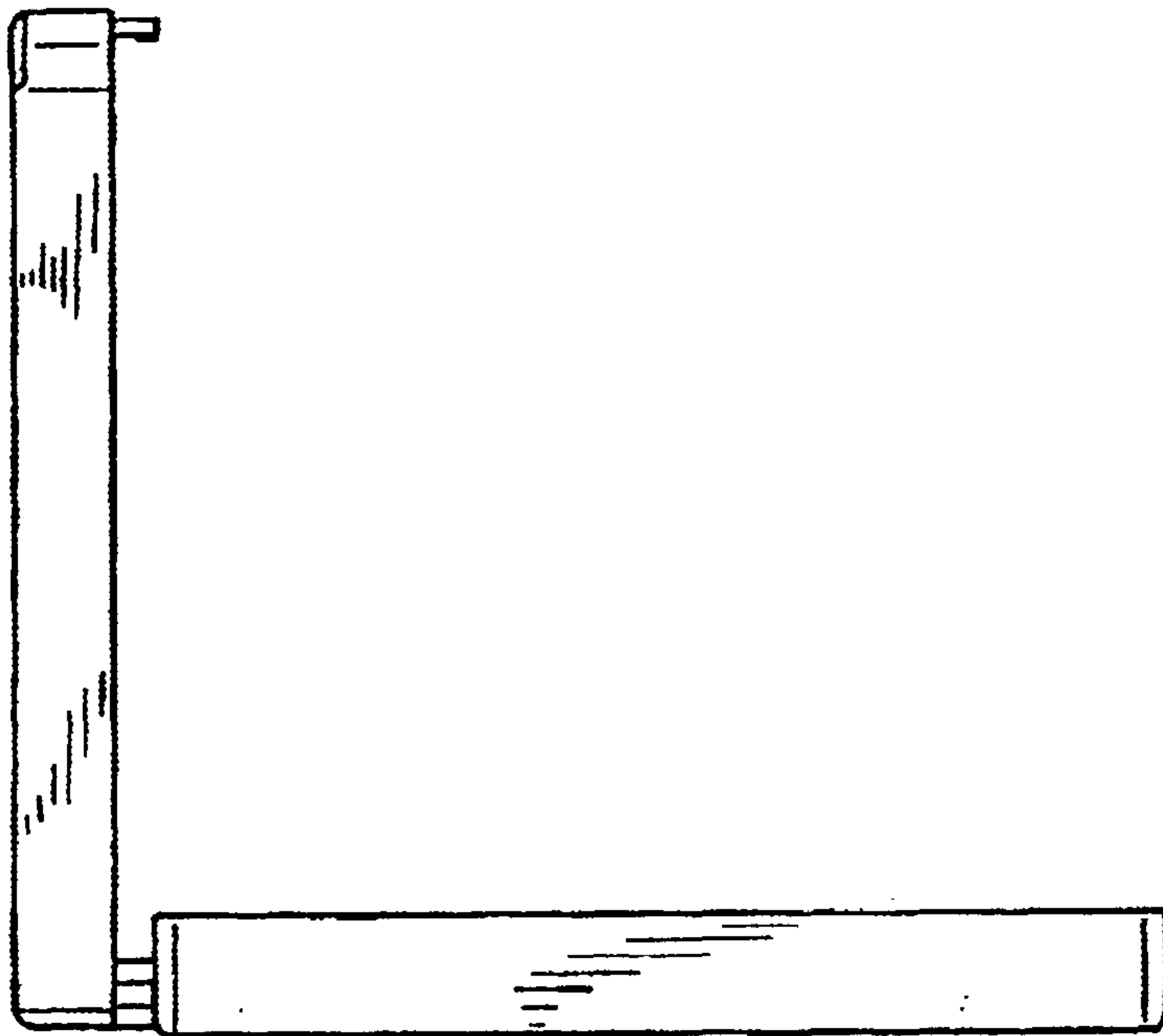


FIG. 4

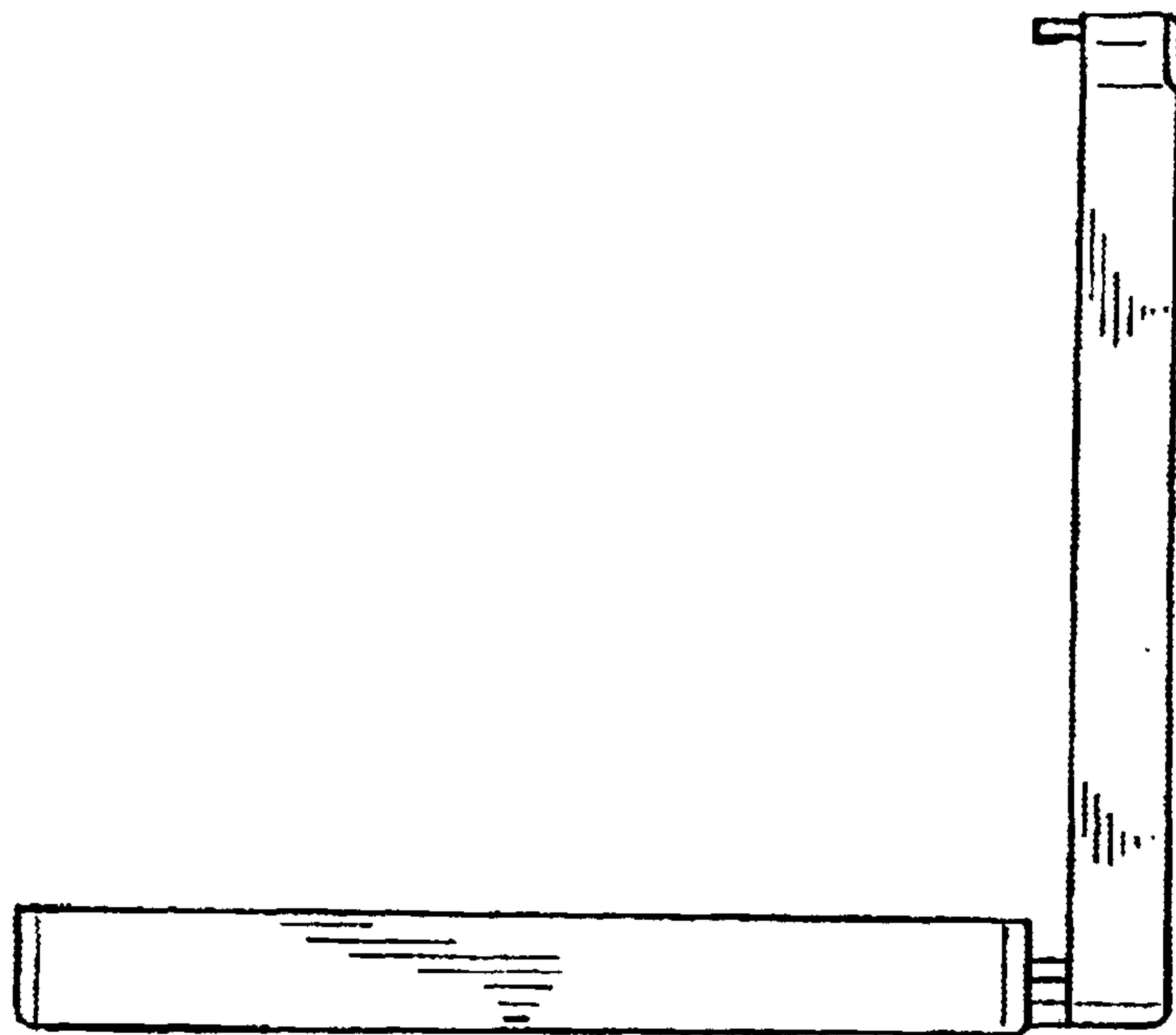


FIG. 5



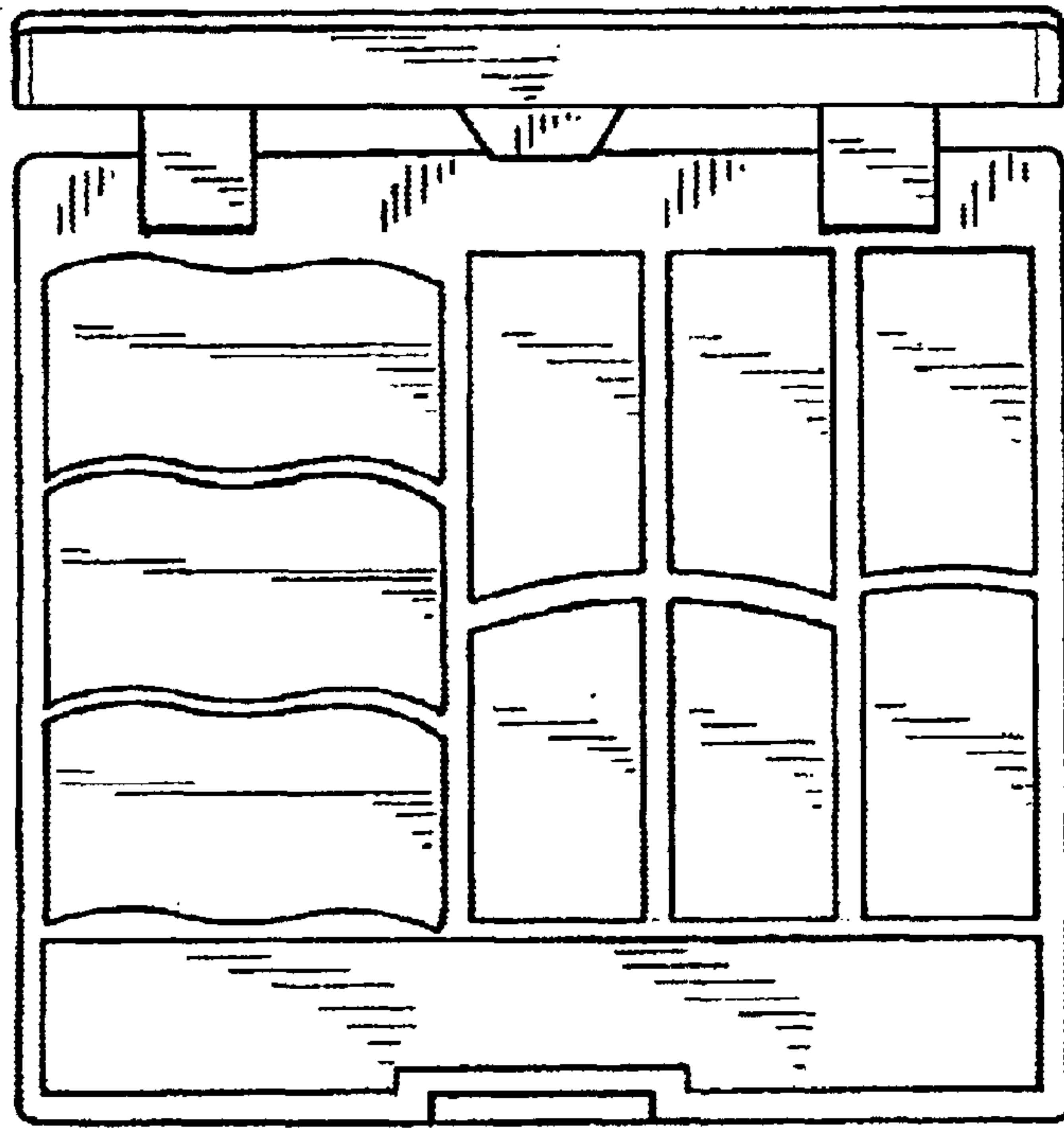


FIG. 6

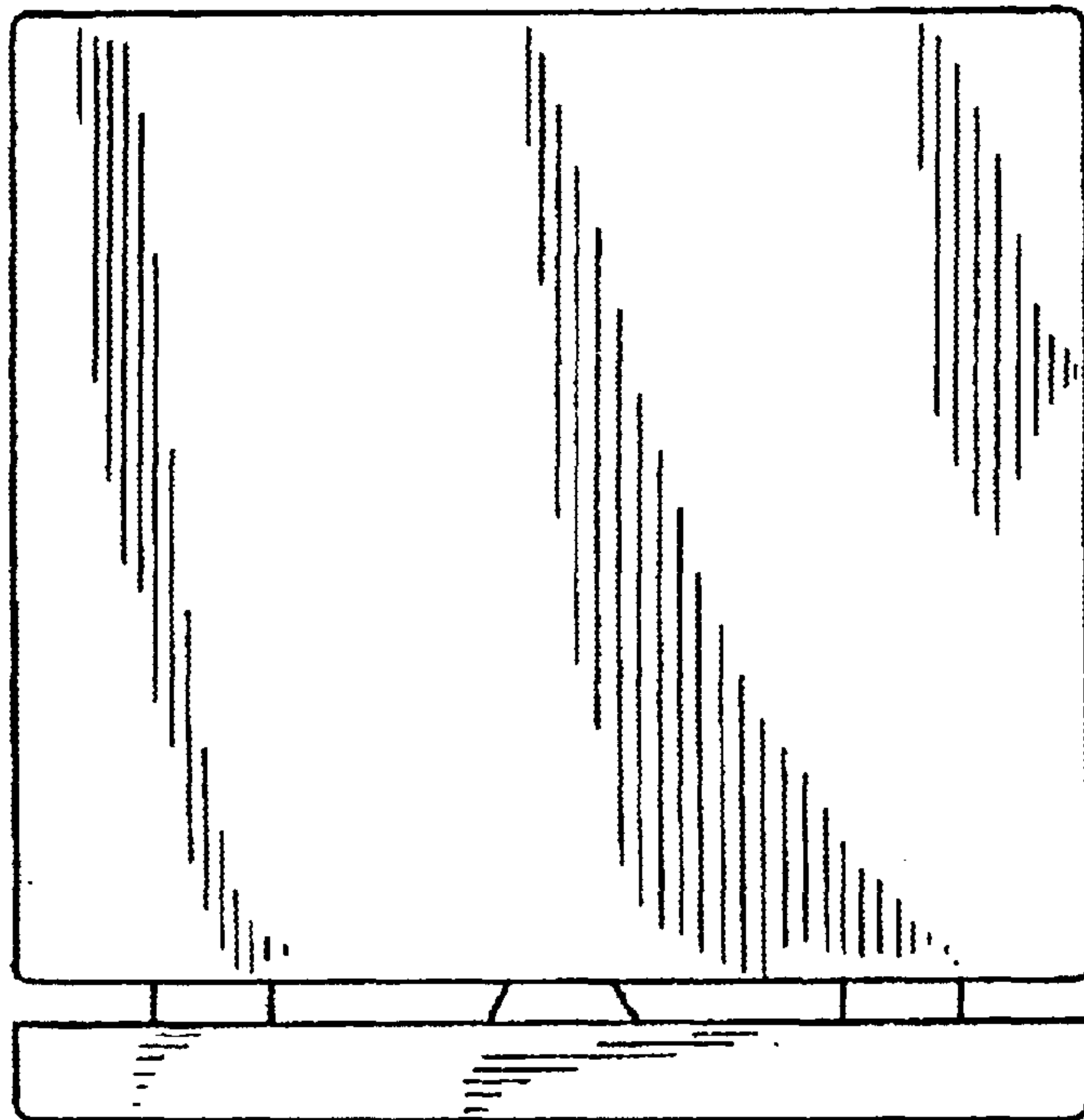


FIG. 7