



US00D491689S

(12) **United States Design Patent**
Krieger et al.

(10) **Patent No.:** **US D491,689 S**
(45) **Date of Patent:** **** Jun. 15, 2004**

(54) **FLASHLIGHT HOLDER**

(75) Inventors: **Michael Krieger**, Miami Beach, FL (US); **Kevin Ellsworth**, Hollywood, FL (US)

(73) Assignee: **Vector Products, Inc.**, Ft. Lauderdale, FL (US)

(**) Term: **14 Years**

(21) Appl. No.: **29/191,775**

(22) Filed: **Oct. 15, 2003**

(51) **LOC (7) Cl.** **26-99**

(52) **U.S. Cl.** **D26/138**

(58) **Field of Search** D26/138, 38; 362/190, 362/191, 183; 248/309.1

(56) **References Cited**

U.S. PATENT DOCUMENTS

D334,993 S	*	4/1993	Lee	D26/38
5,413,223 A	*	5/1995	Kang	362/190
5,816,684 A	*	10/1998	Yu	362/191

* cited by examiner

Primary Examiner—Jennifer Rivard
(74) *Attorney, Agent, or Firm*—Venable LLP; Robert Kinberg

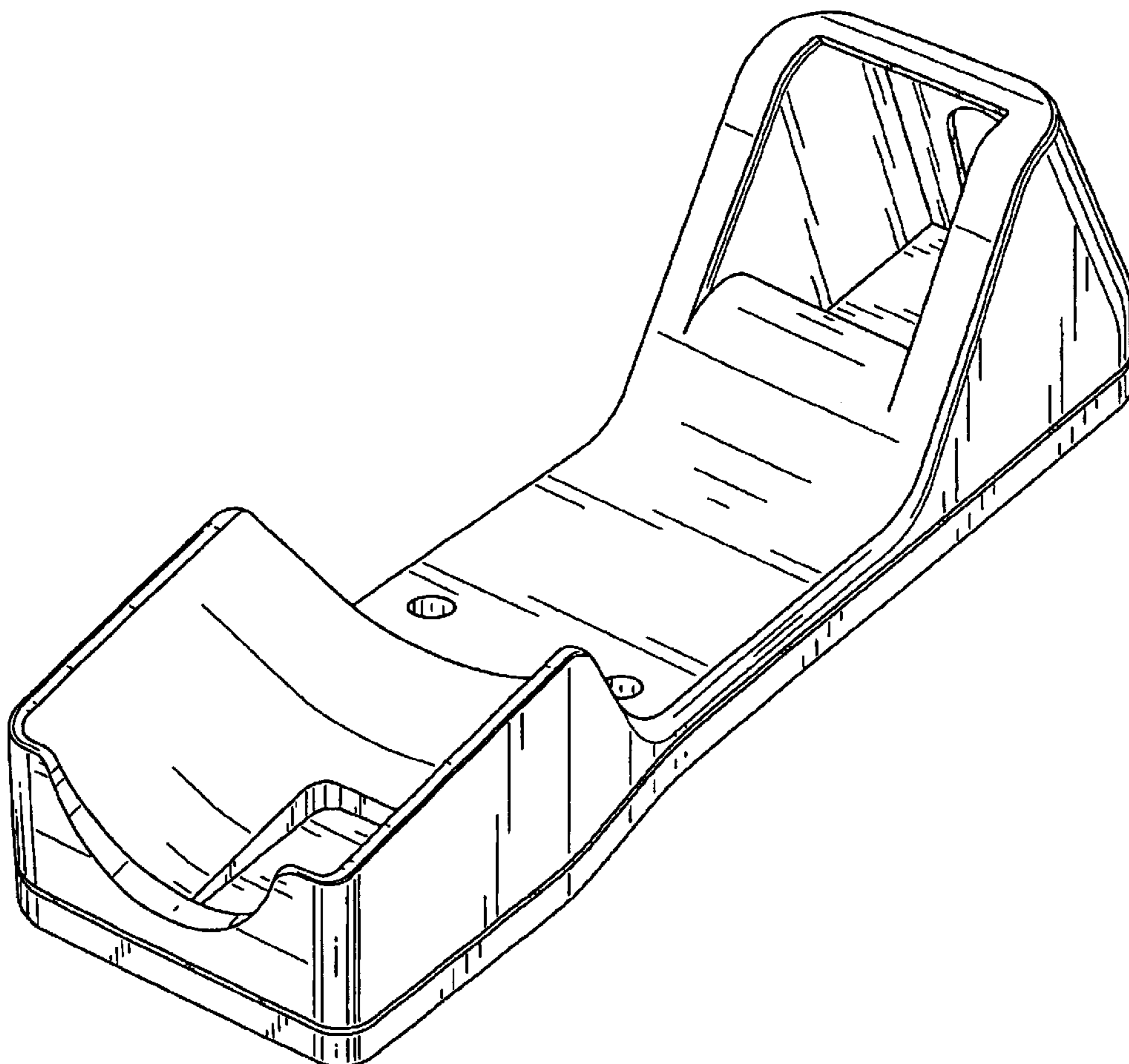
(57) **CLAIM**

The ornamental design for a flashlight holder, as shown and described.

DESCRIPTION

FIG. 1 is a perspective view from the front-top-right side of the flashlight holder showing our new design; FIG. 2 is a front view of the design shown in FIG. 1; FIG. 3 is a rear view of the design shown in FIG. 1; FIG. 4 is a left side view of the design shown in FIG. 1; FIG. 5 is a right side view of the design shown in FIG. 1; FIG. 6 is a top view of the design shown in FIG. 1; FIG. 7 is a bottom view of the design shown in FIG. 1; and, FIG. 8 is the perspective view shown in FIG. 1 with a flashlight being placed thereon shown in broken lines. The broken lines immediately adjacent the shaded areas represent the bounds of the claimed design while all other broken lines are for illustrative purposes only; the broken lines form no part of the claimed design.

1 Claim, 7 Drawing Sheets



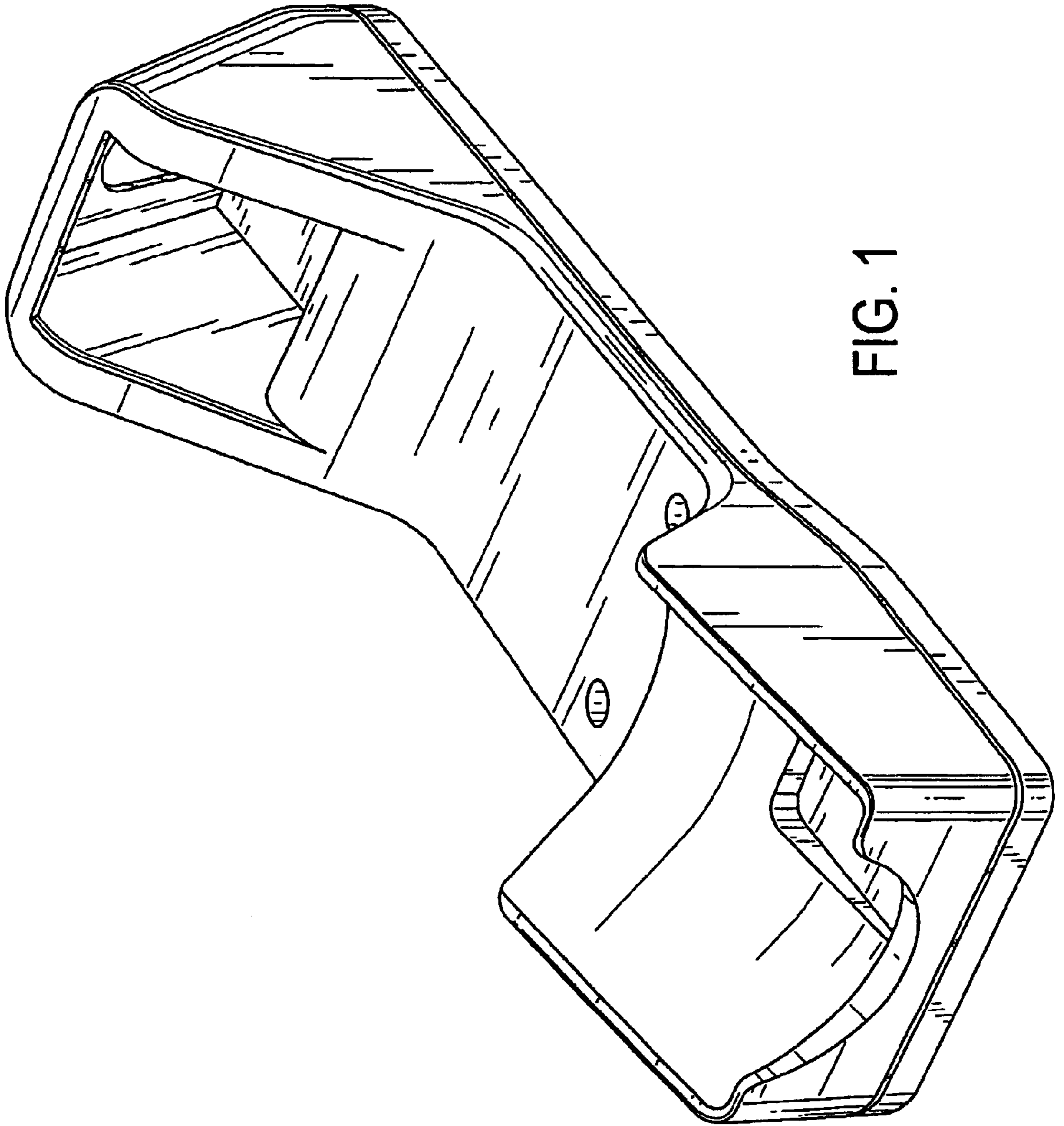


FIG. 1

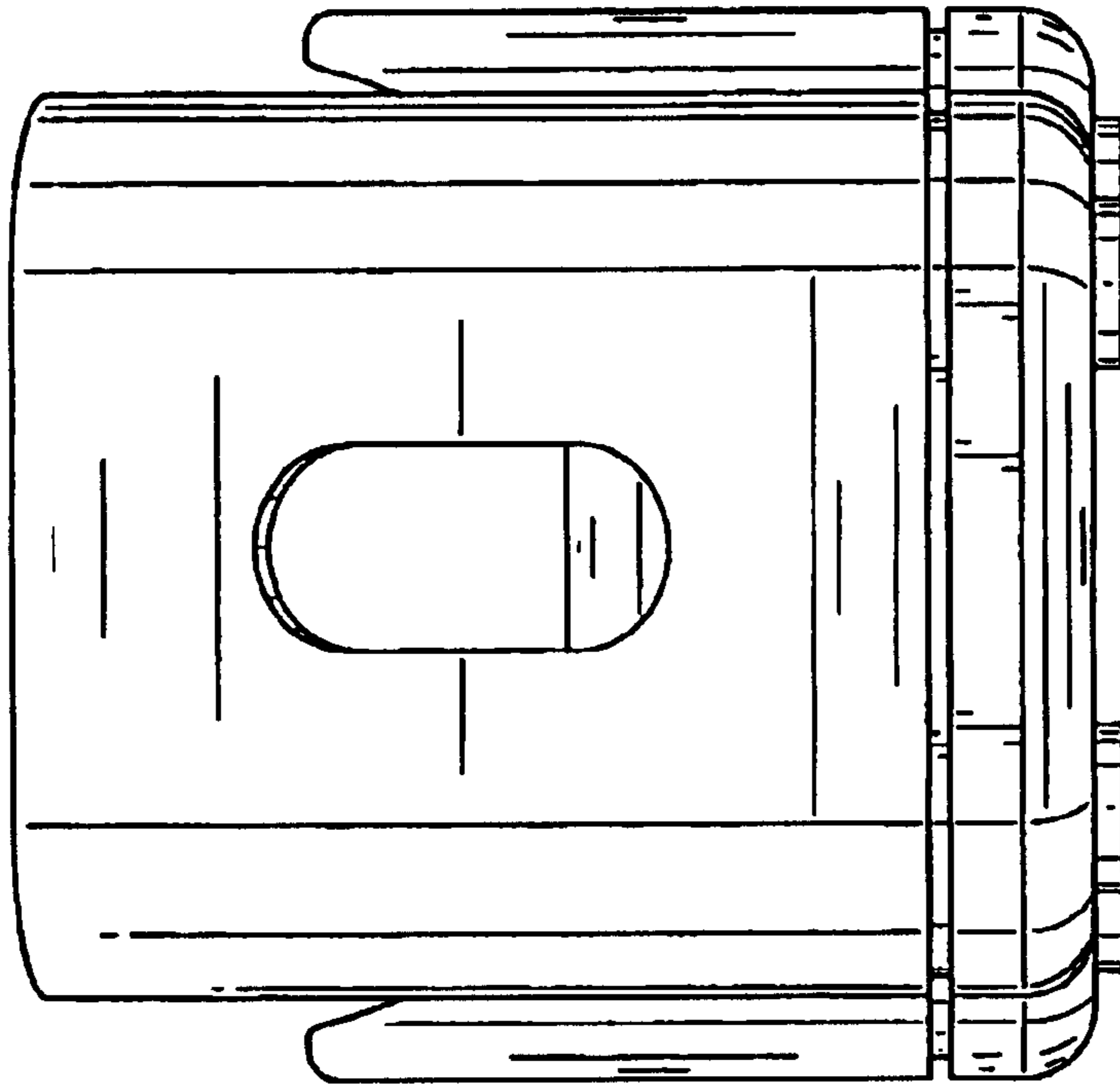


FIG. 3

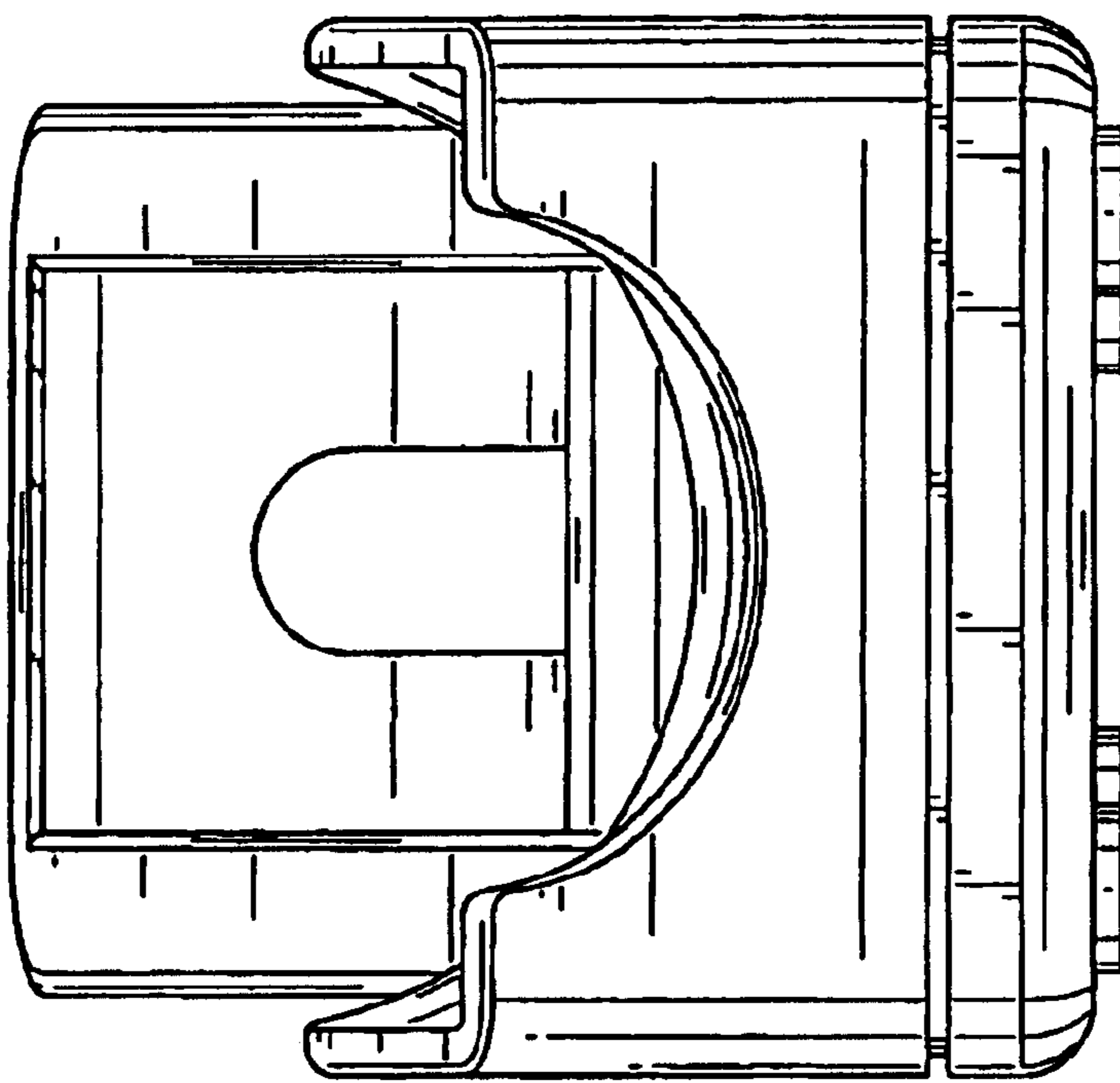


FIG. 2

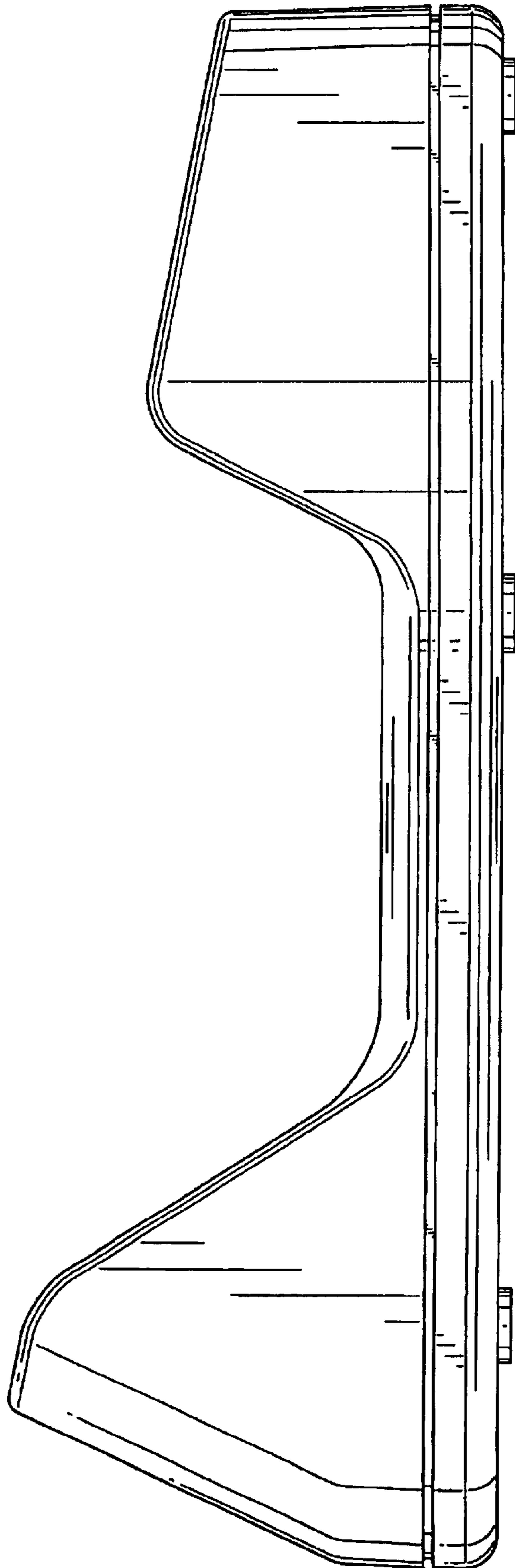


FIG. 4

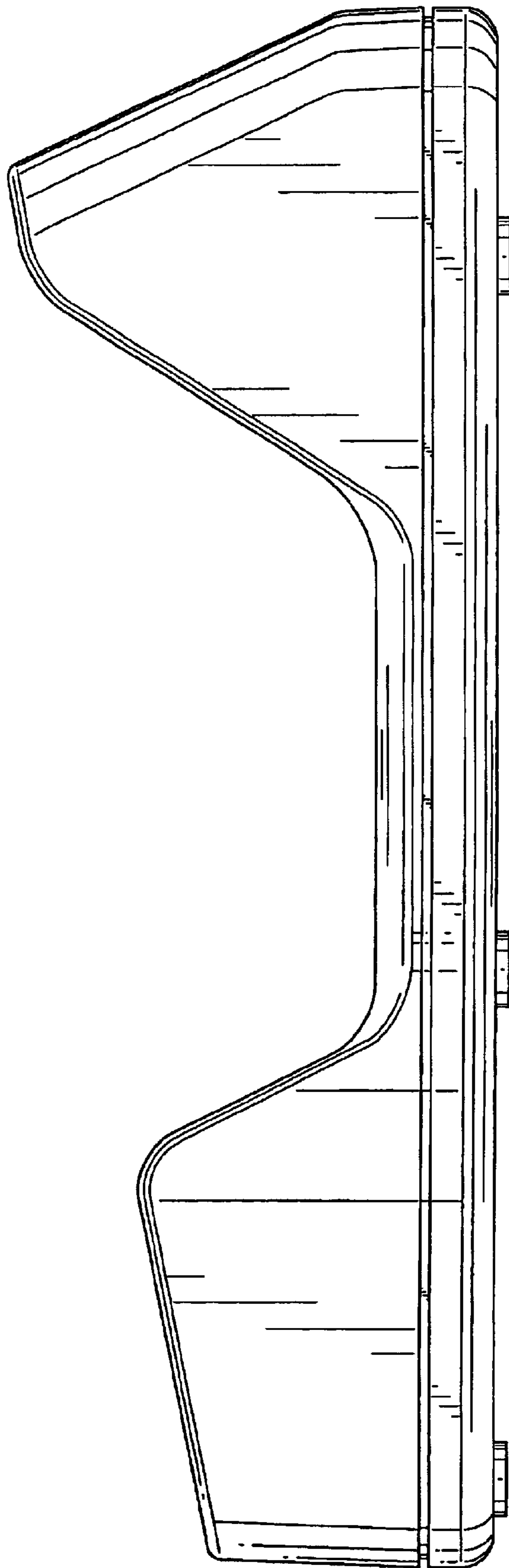


FIG. 5

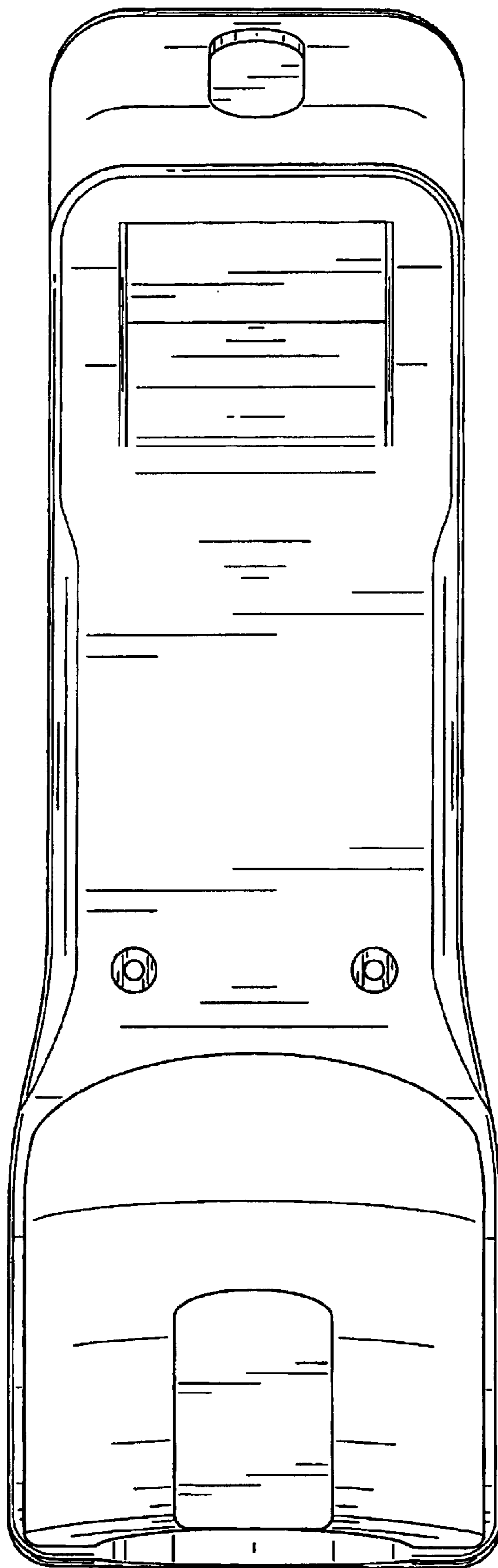


FIG. 6

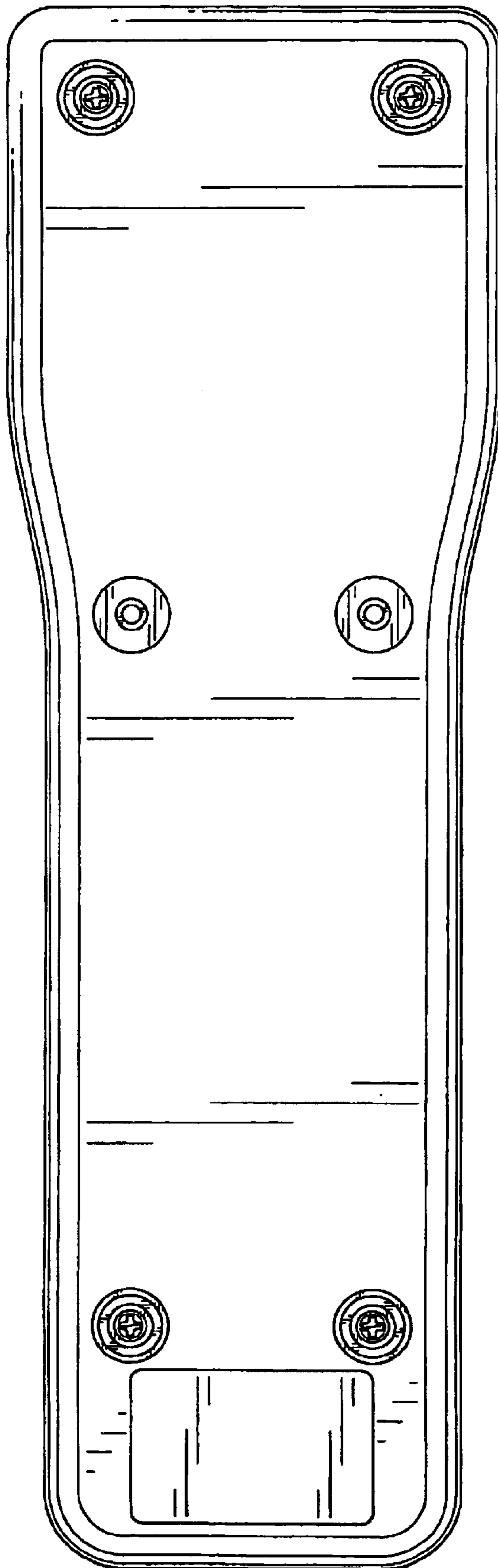


FIG. 7

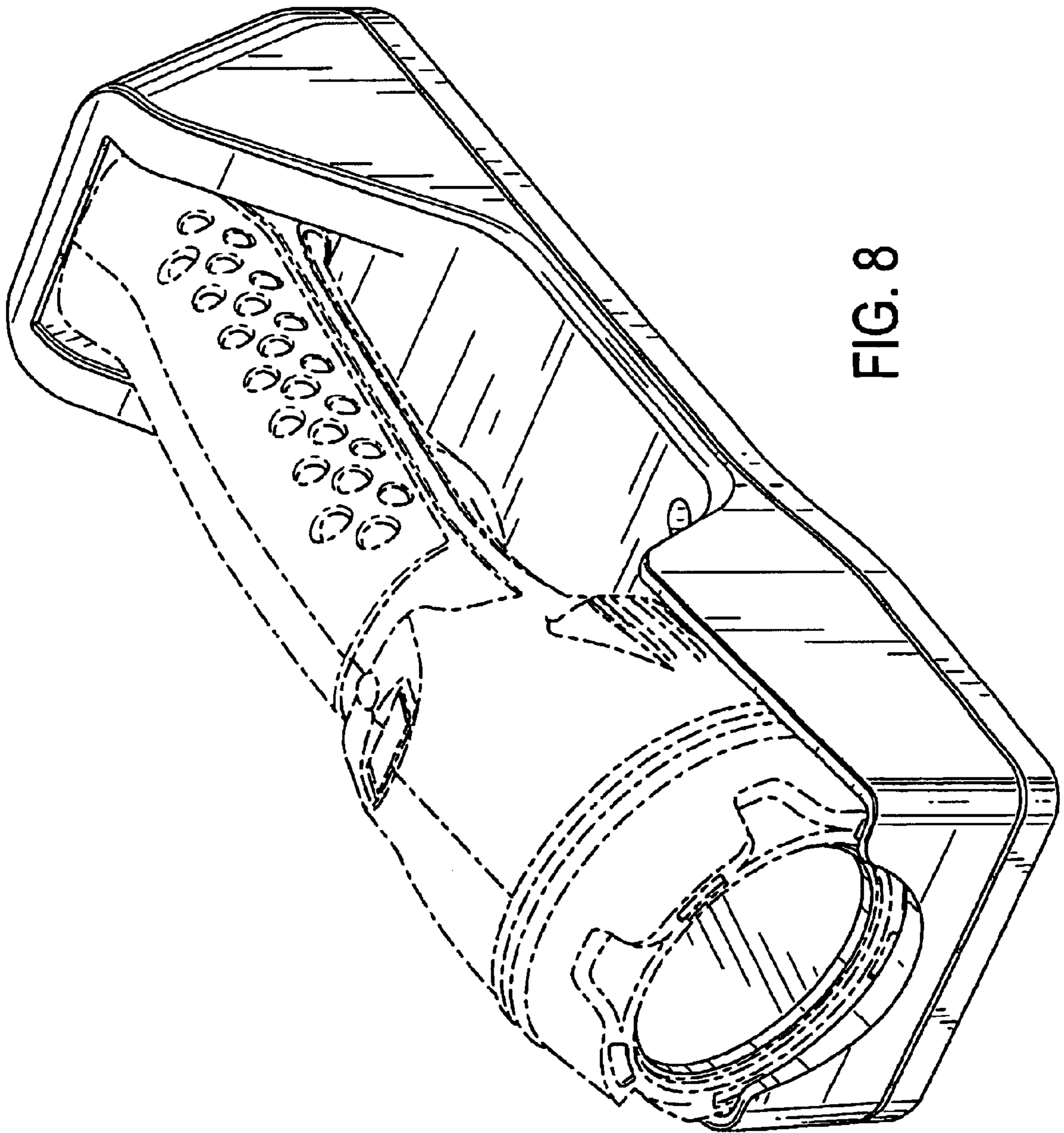


FIG. 8