



US00D491688S

(12) **United States Design Patent**  
**Shyu**

(10) **Patent No.:** **US D491,688 S**

(45) **Date of Patent:** **\*\* Jun. 15, 2004**

(54) **LIGHTING FIXTURE**

(76) **Inventor:** **Shing-Jy Shyu**, P.O. Box No. 6-57,  
Junghe, Taipei 235 (TW)

(\*\*) **Term:** **14 Years**

(21) **Appl. No.:** **29/189,417**

(22) **Filed:** **Sep. 5, 2003**

(51) **LOC (7) Cl.** ..... **26-03**

(52) **U.S. Cl.** ..... **D26/89; D26/85**

(58) **Field of Search** ..... D26/24, 27, 59,  
D26/72, 79, 128, 131; 362/147, 404-408,  
432

(56) **References Cited**

**U.S. PATENT DOCUMENTS**

1,799,711 A	*	4/1931	Holger	.....	362/285
D87,964 S	*	10/1932	Howell	.....	D26/88
D90,612 S	*	8/1933	Howell	.....	D26/88
D99,298 S	*	4/1936	O'Brien	.....	D26/88
D108,654 S	*	3/1938	Versen	.....	D26/88

D119,903 S	*	2/1940	Krueger	.....	D26/88
D195,051 S	*	4/1963	Guntenbrink	.....	D26/128

**OTHER PUBLICATIONS**

Framburg Catalog 2001, item 8009 on p. 57.\*

\* cited by examiner

*Primary Examiner*—Clare E Heflin

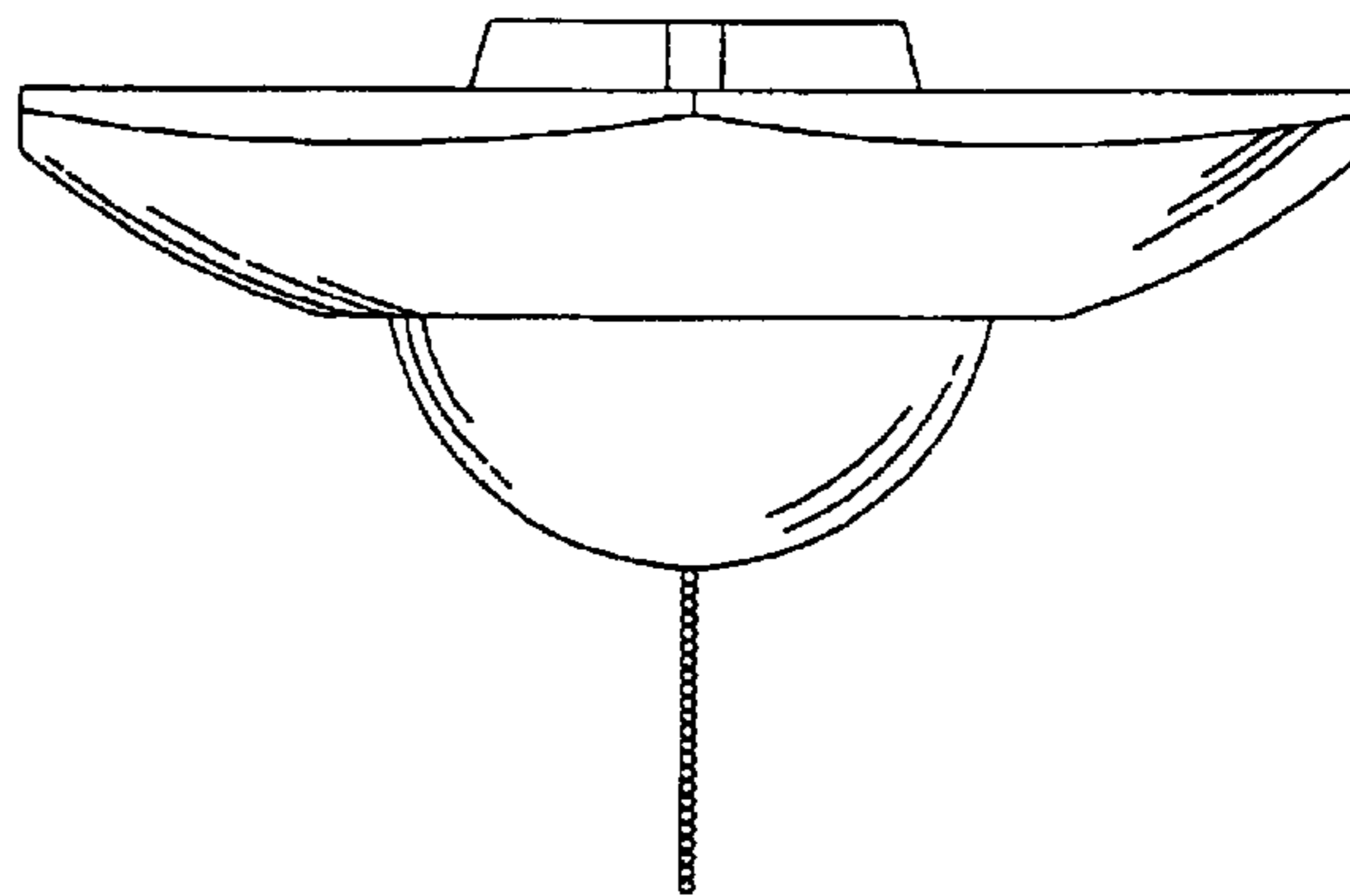
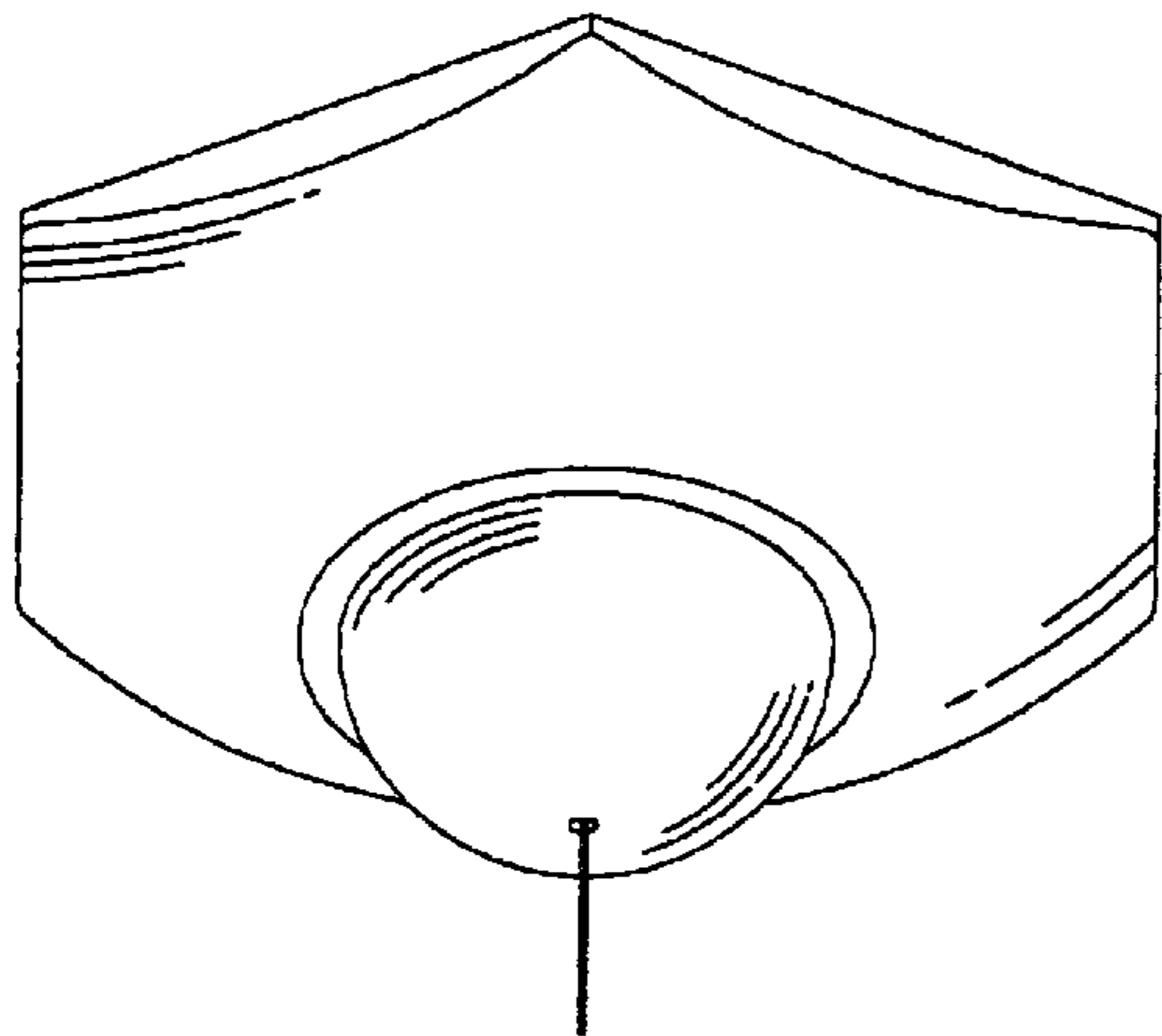
(57) **CLAIM**

The ornamental design for a lighting fixture, as shown and described.

**DESCRIPTION**

FIG. 1 is a perspective view thereof;  
FIG. 2 is a front view thereof;  
FIG. 3 is a back view thereof;  
FIG. 4 is a left side view thereof;  
FIG. 5 is a right side view thereof;  
FIG. 6 is a top view thereof; and,  
FIG. 7 is a bottom view thereof.

**1 Claim, 7 Drawing Sheets**



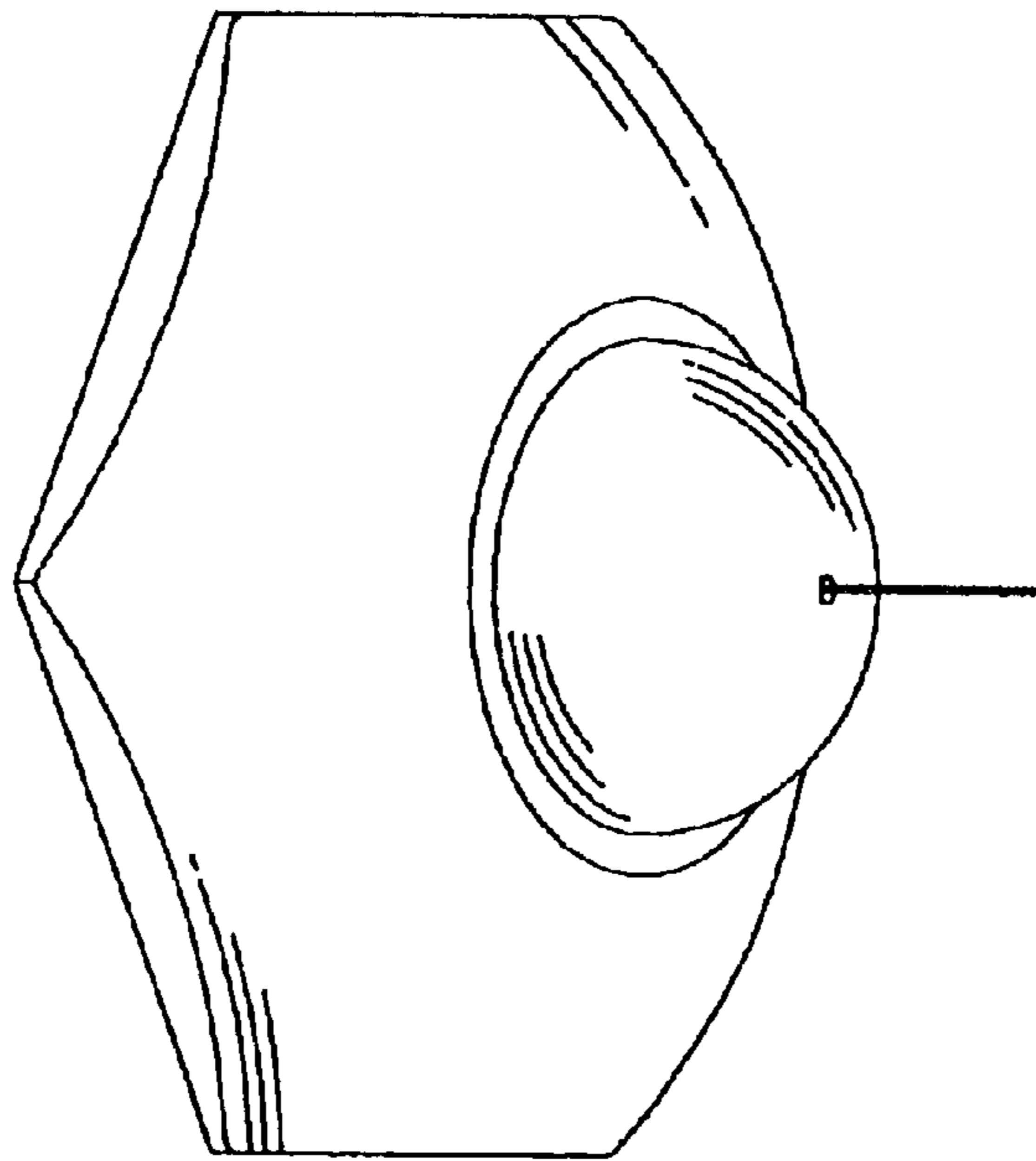


FIG.1

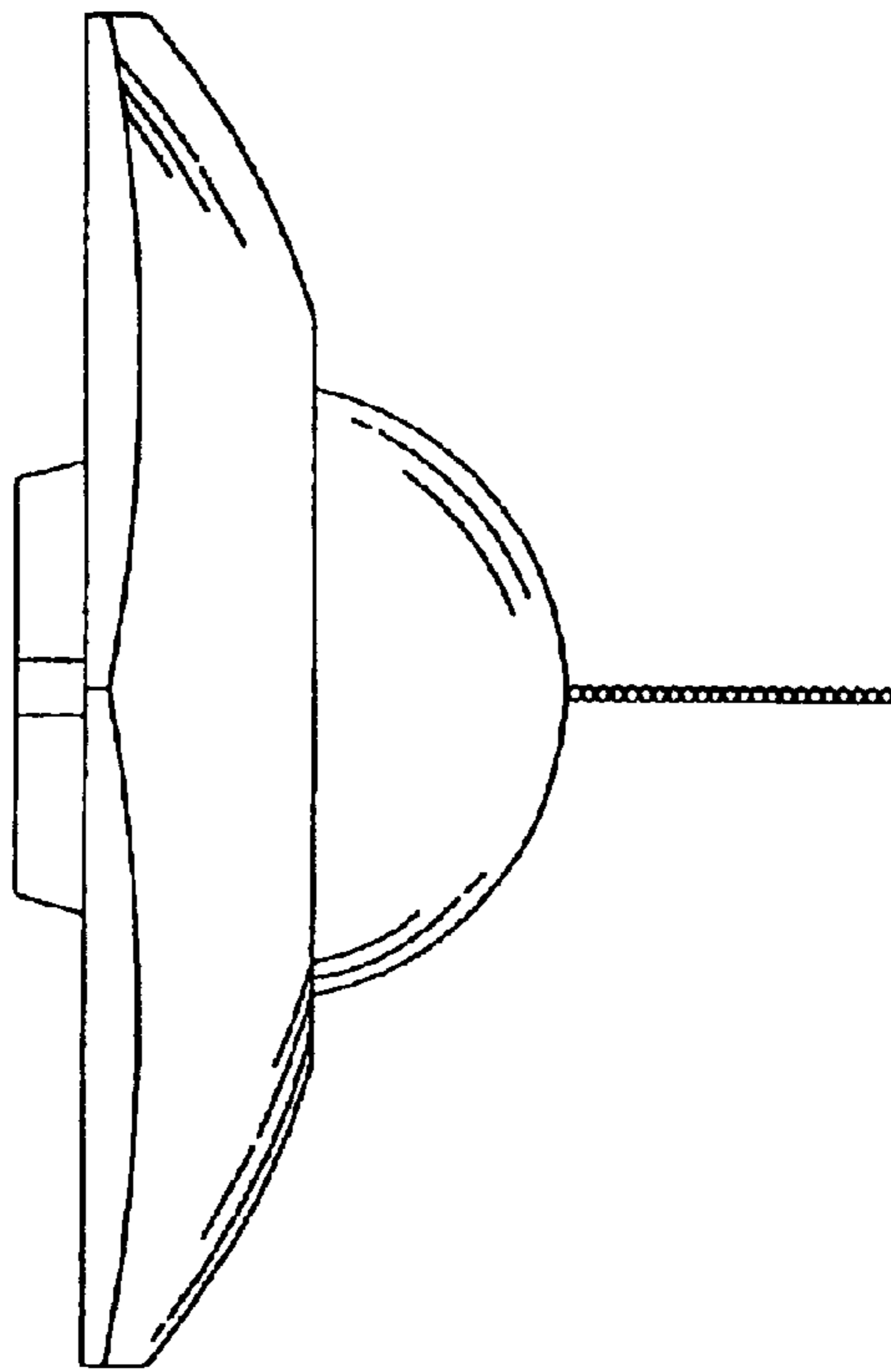


FIG.2

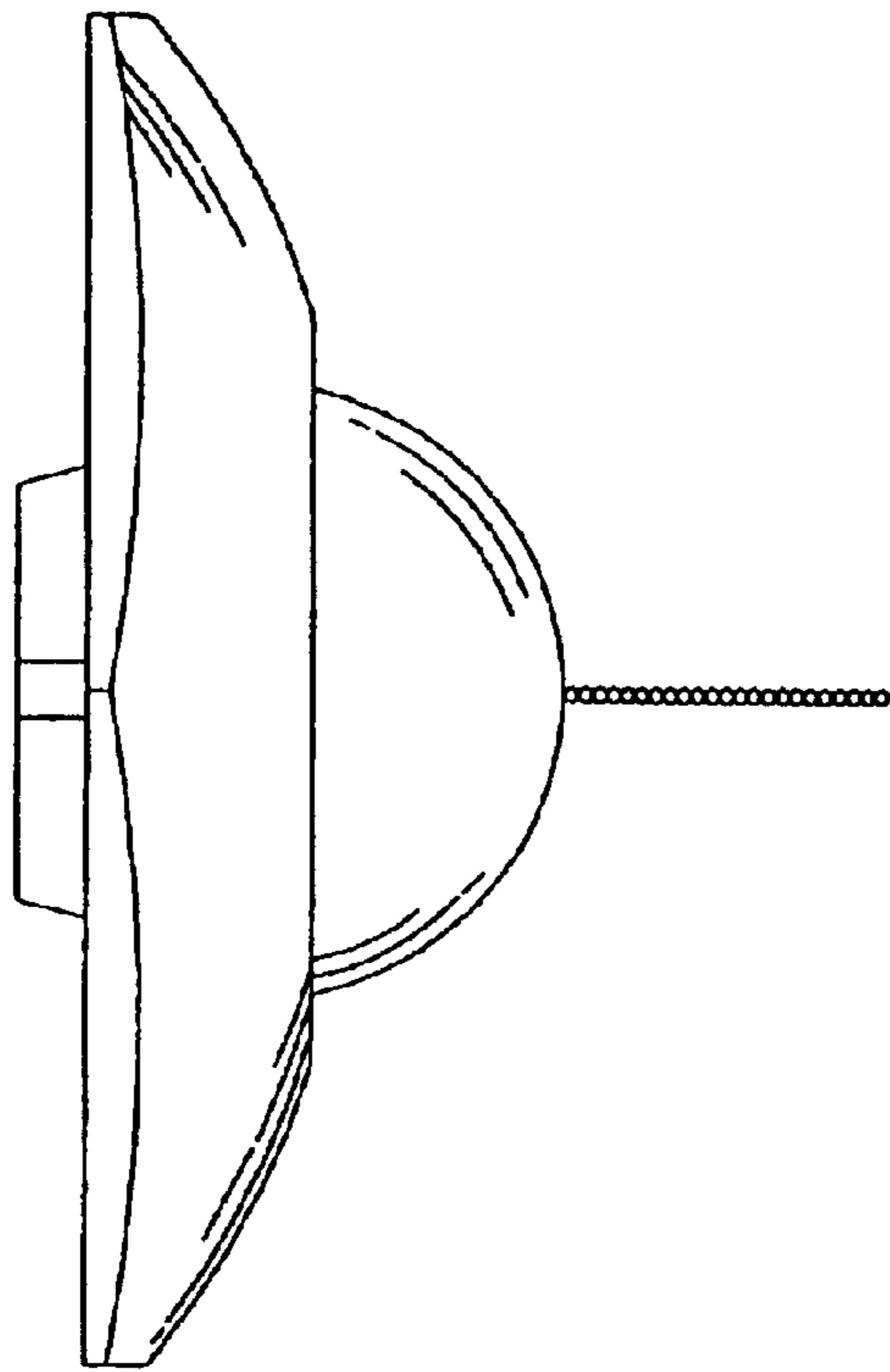


FIG.3

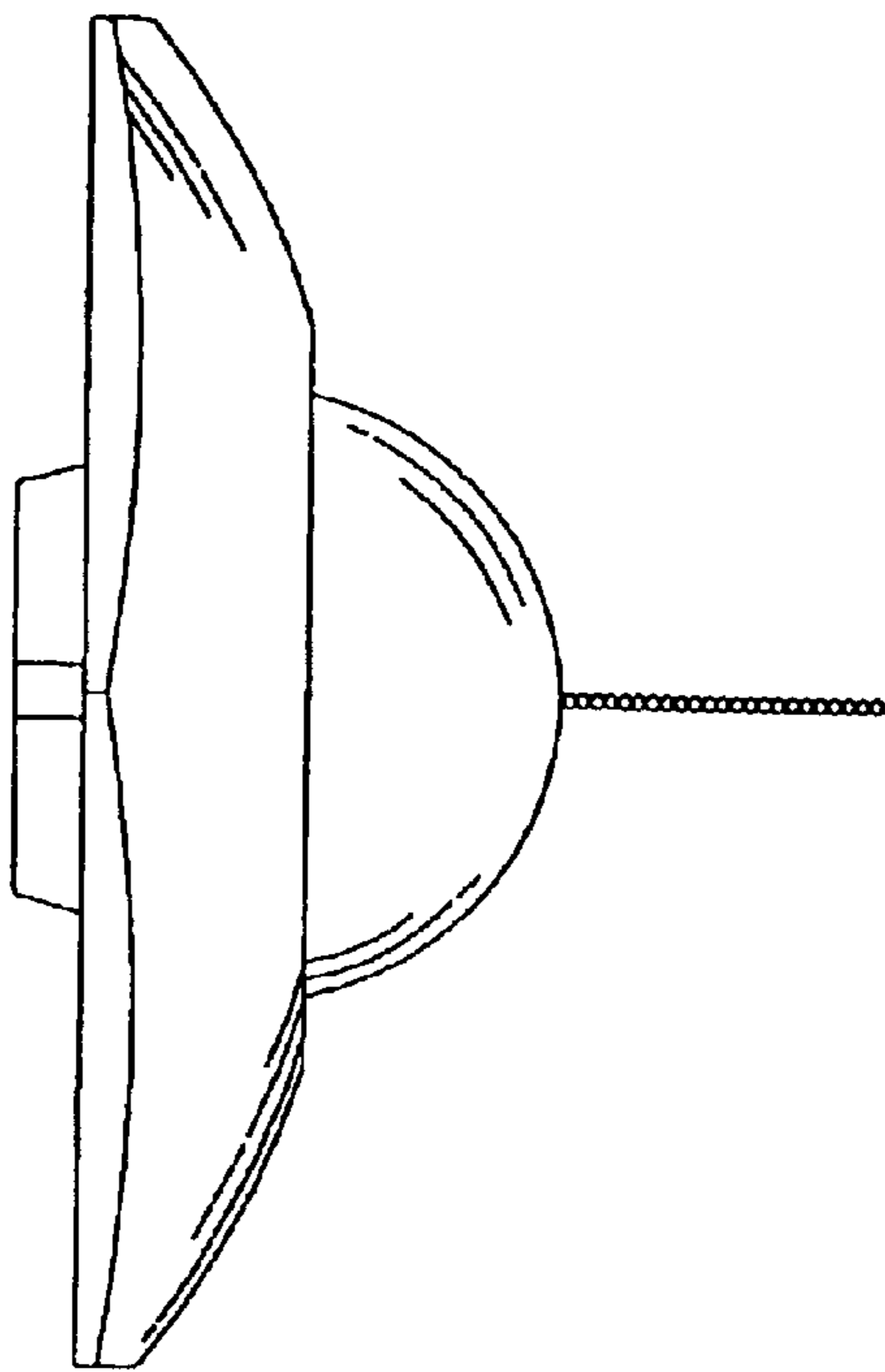


FIG.4

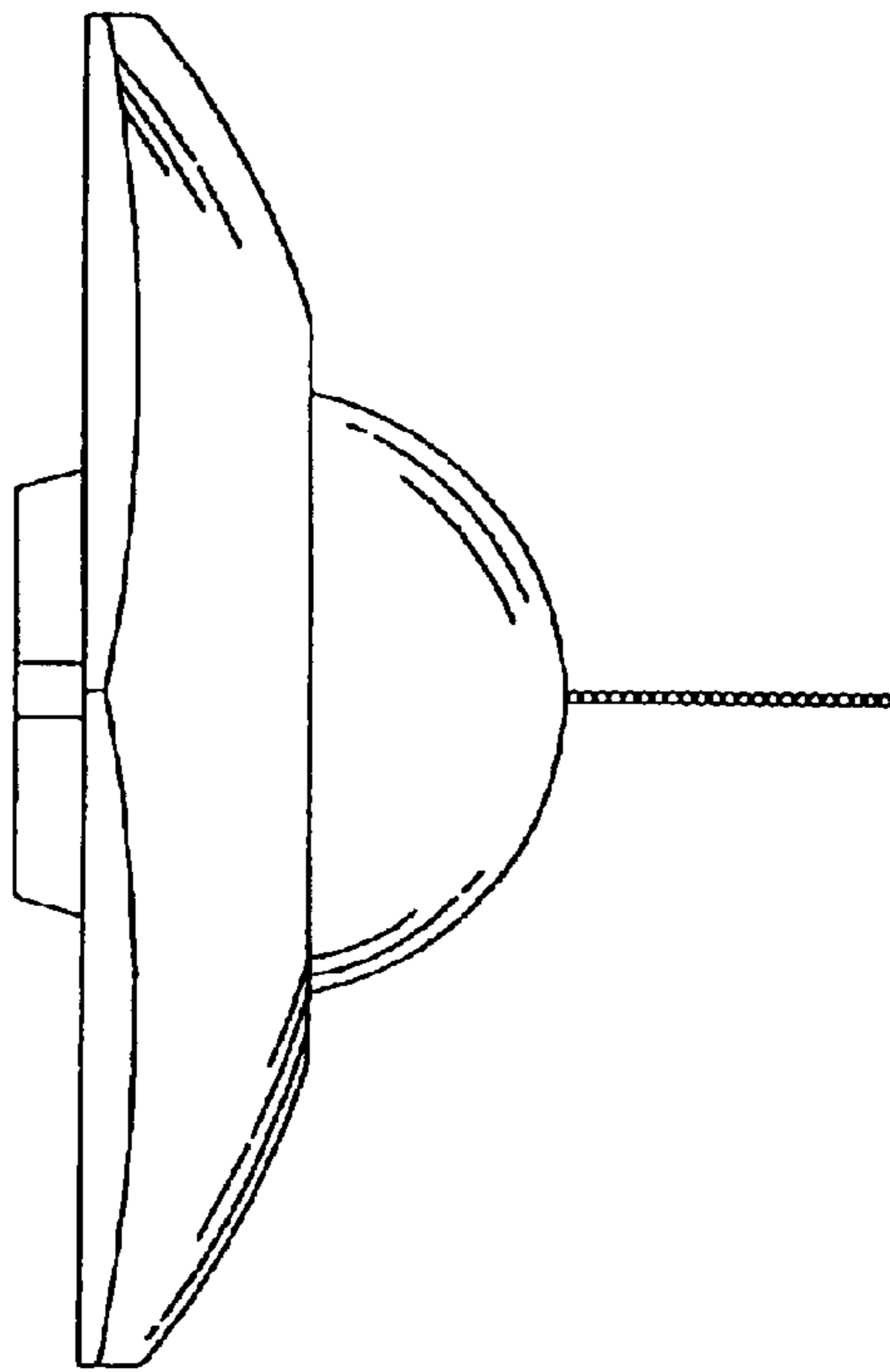


FIG.5

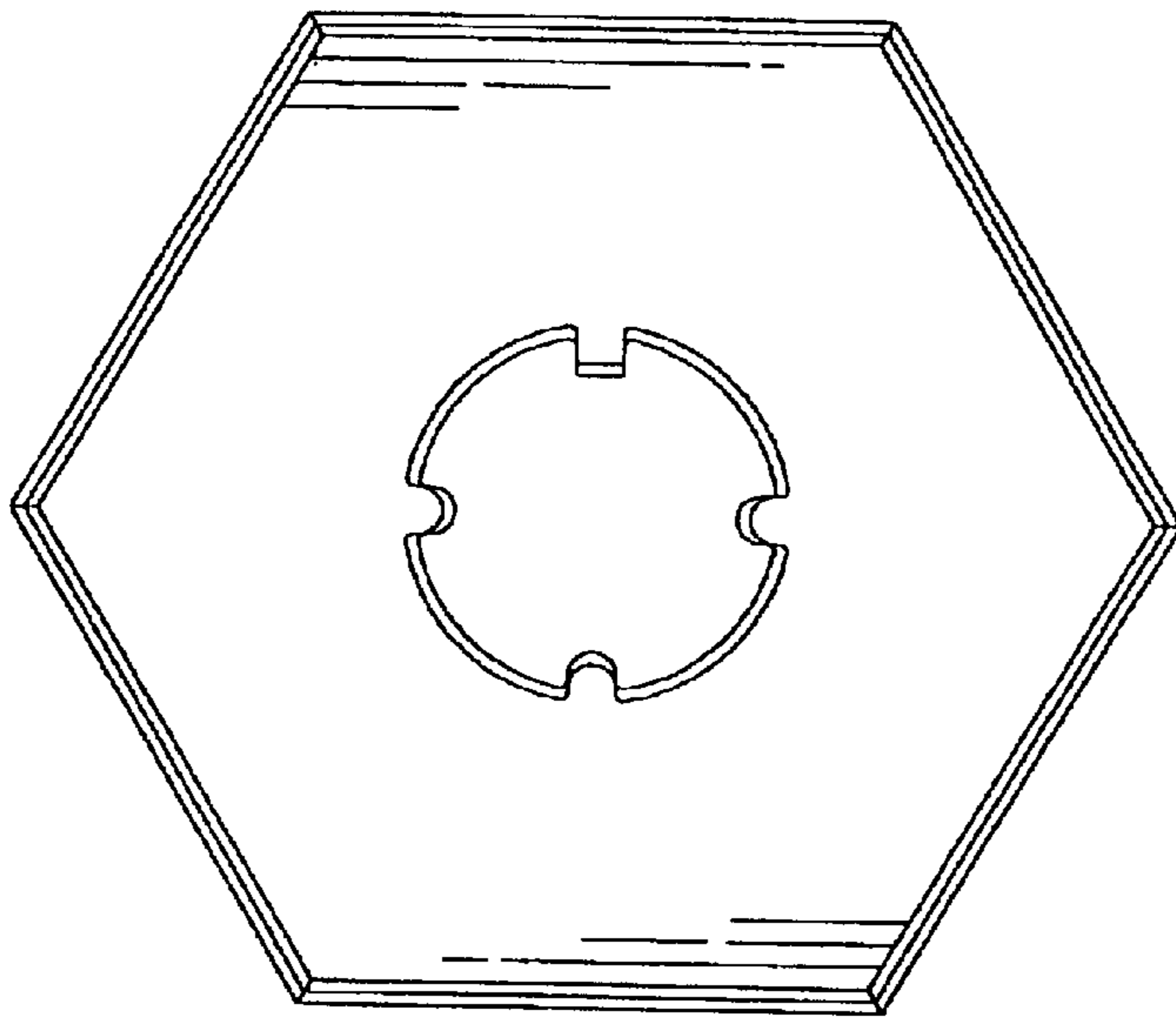


FIG.6

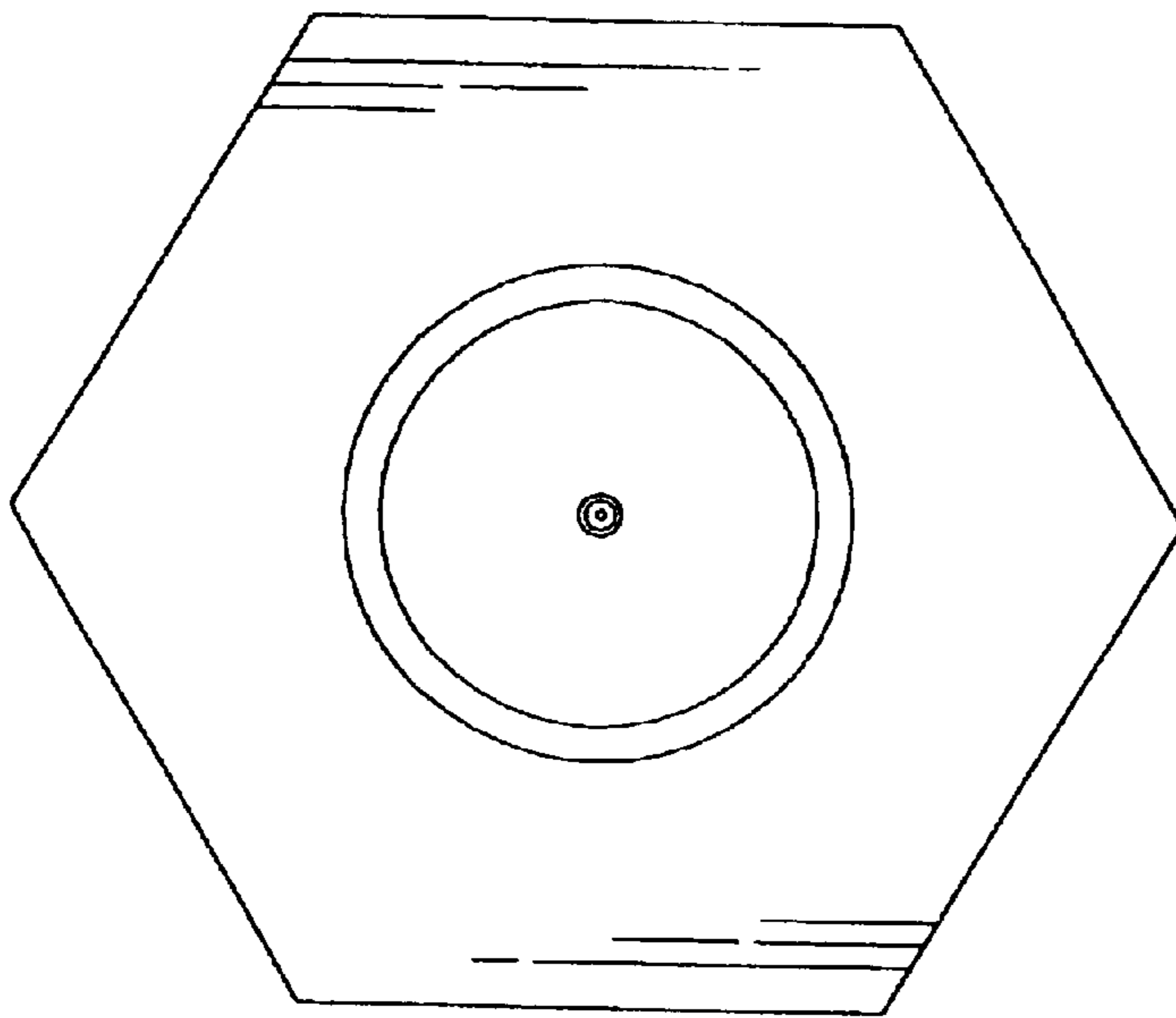


FIG.7