



US00D491686S

(12) **United States Design Patent**
Citterio

(10) **Patent No.:** **US D491,686 S**

(45) **Date of Patent:** **** Jun. 15, 2004**

(54) **WALL LAMP**

(75) Inventor: **Antonio Citterio**, Milan (IT)

(73) Assignee: **Flos S.p.A.**, Brescia (IT)

(**) Term: **14 Years**

(21) Appl. No.: **29/168,792**

(22) Filed: **Oct. 9, 2002**

(30) **Foreign Application Priority Data**

Apr. 10, 2002 (IT) 2002 0 000011

(51) **LOC (7) Cl.** **26-05**

(52) **U.S. Cl.** **D26/72; D26/85**

(58) **Field of Search** D26/24, 72-92,
D26/113; 362/147, 806, 404-408, 431,
432

(56) **References Cited**

U.S. PATENT DOCUMENTS

D191,628 S * 10/1961 Muller D26/76
3,800,430 A * 4/1974 Samra 362/235
4,045,665 A * 8/1977 Williams et al. 362/355
D271,861 S * 12/1983 Patton D10/114

4,812,954 A * 3/1989 Marton 362/224
D312,319 S * 11/1990 Kunz D26/72
5,624,178 A * 4/1997 Lee, Jr. 362/220
D473,670 S * 4/2003 Kelmelis et al. D26/74

* cited by examiner

Primary Examiner—Clare E Heflin

(74) *Attorney, Agent, or Firm*—McGlew and Tuttle, P.C

(57) **CLAIM**

The ornamental design for a wall lamp, as shown and described.

DESCRIPTION

FIG. 1 is a perspective view from above of my new wall lamp design;

FIG. 2 is a perspective view from below of the same wall lamp;

FIG. 3 is a front view thereof;

FIG. 4 is a top plan new thereof;

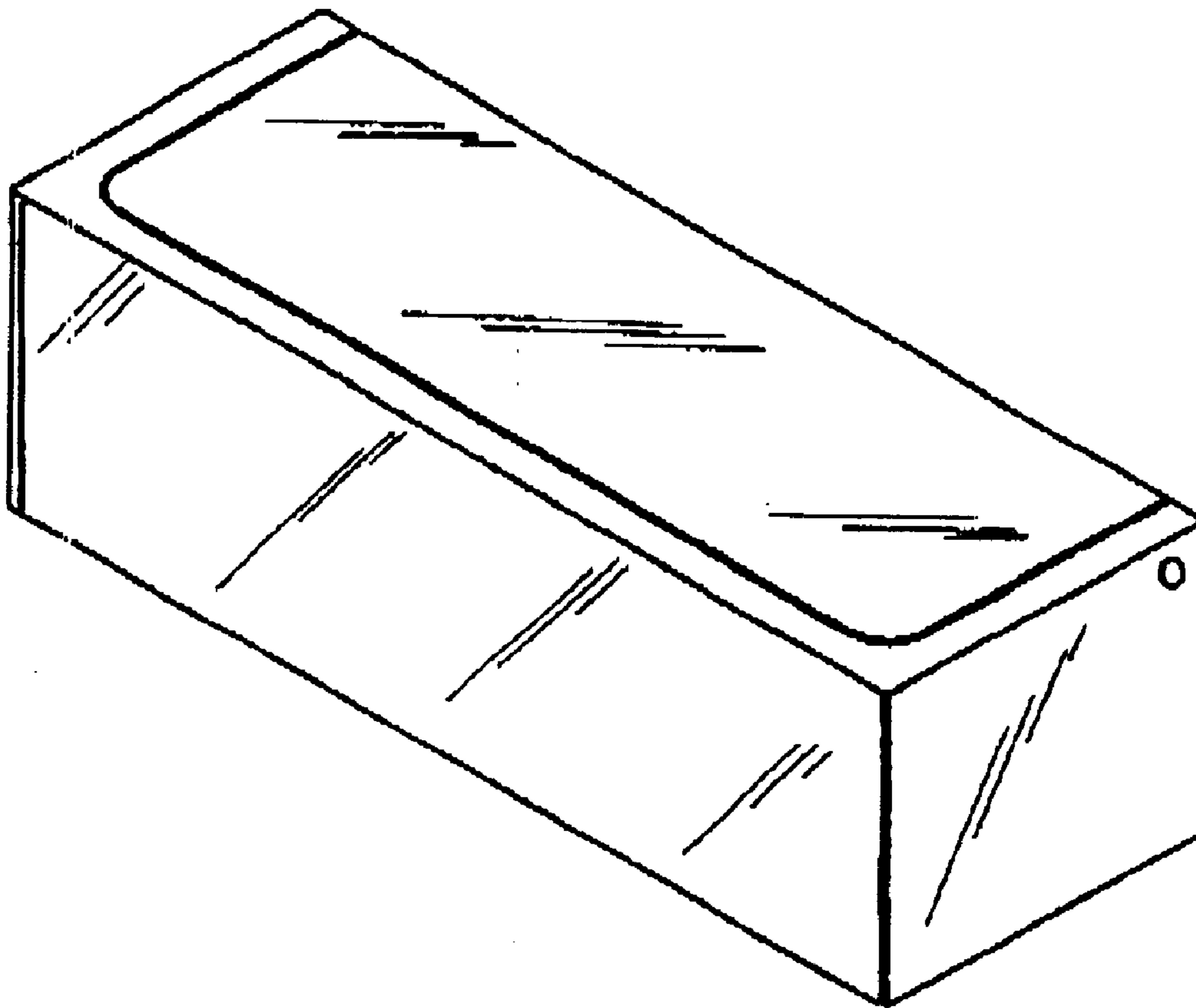
FIG. 5 is a bottom plan view thereof;

FIG. 6 is a rear view thereof;

FIG. 7 is a right view thereof; and,

FIG. 8 is a left view thereof.

1 Claim, 2 Drawing Sheets



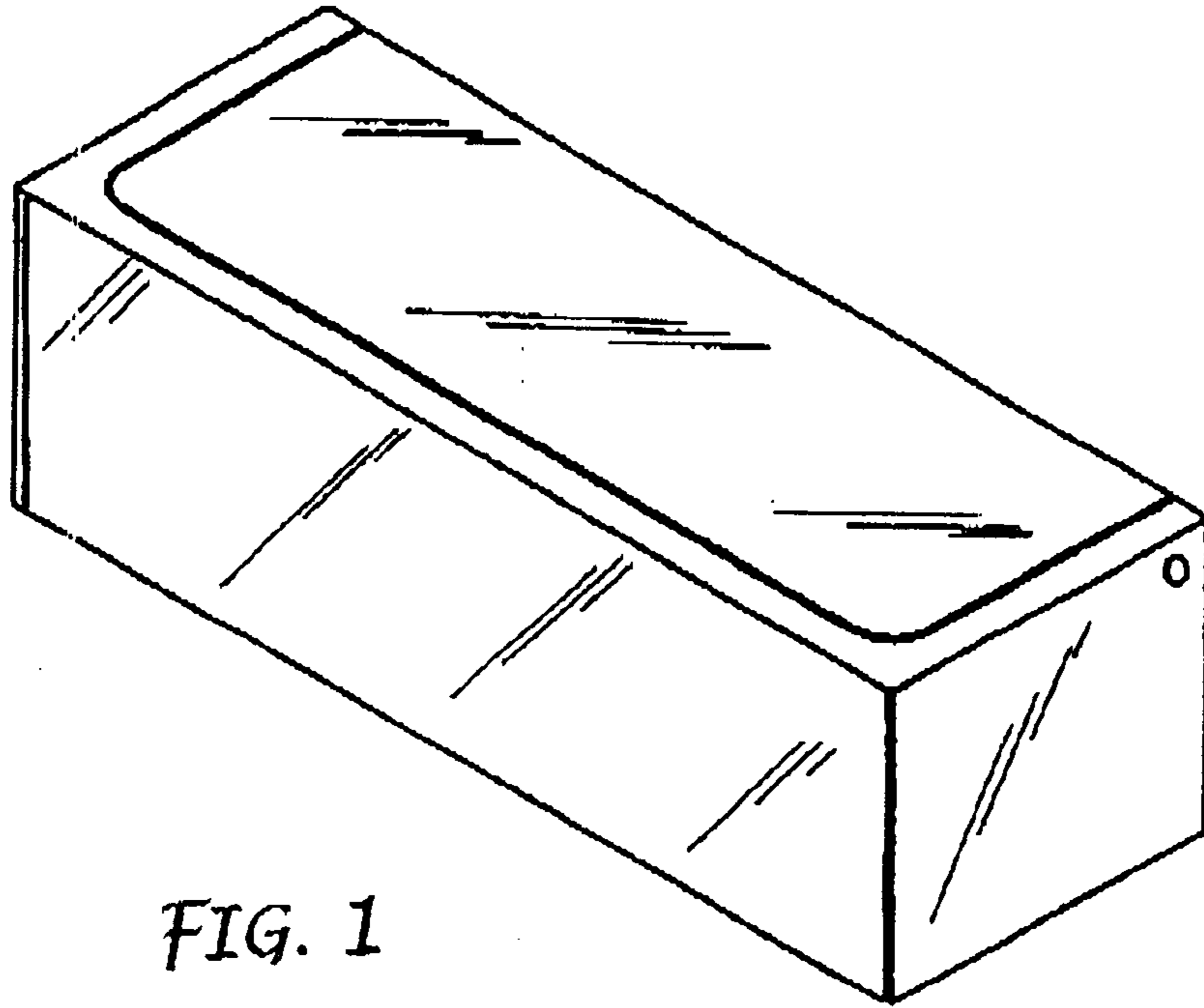


FIG. 1

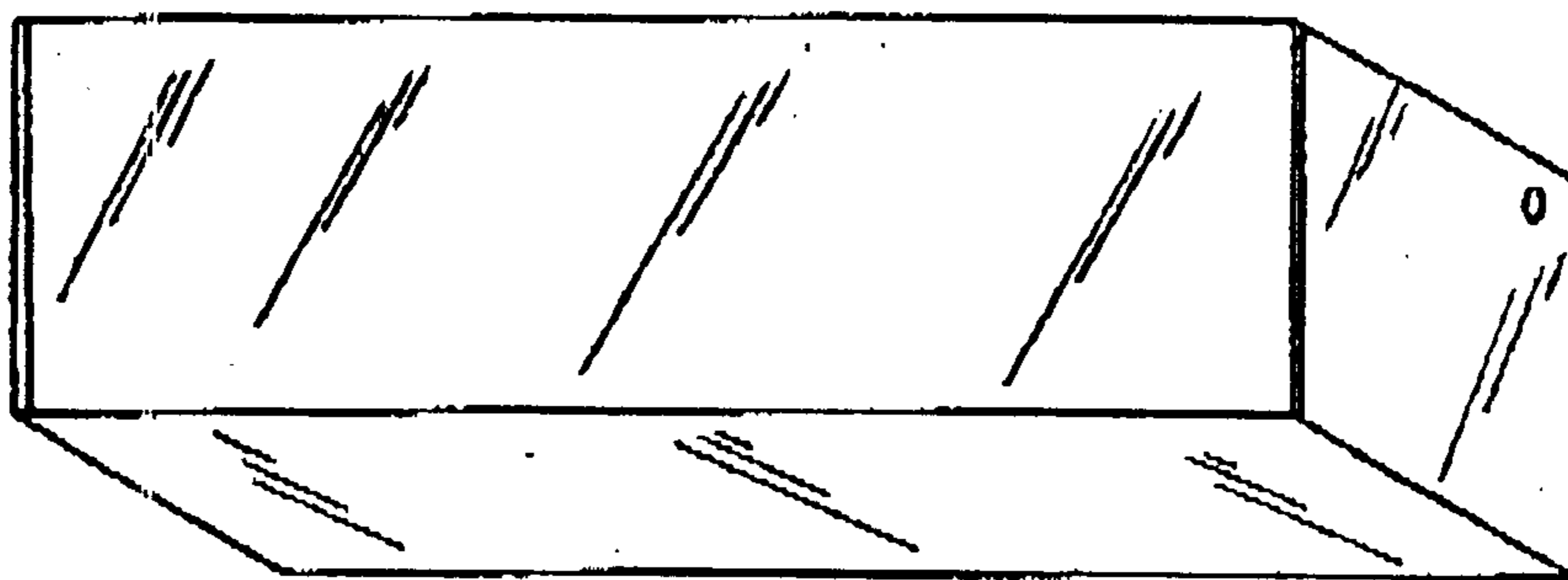


FIG. 2

FIG. 5

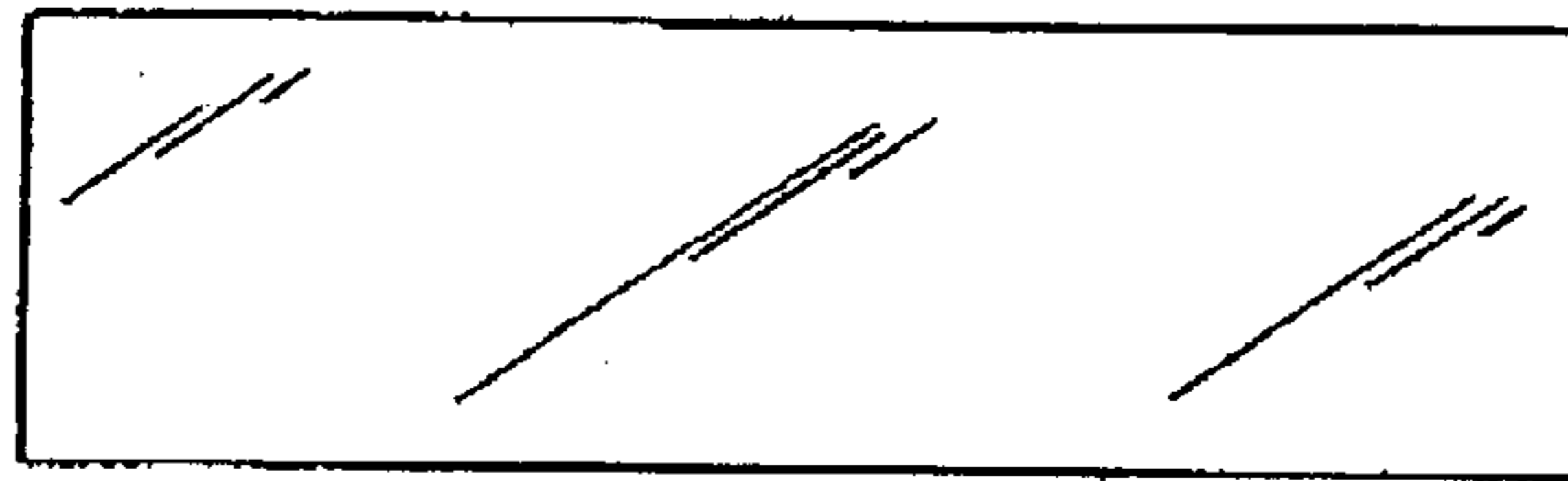


FIG. 3

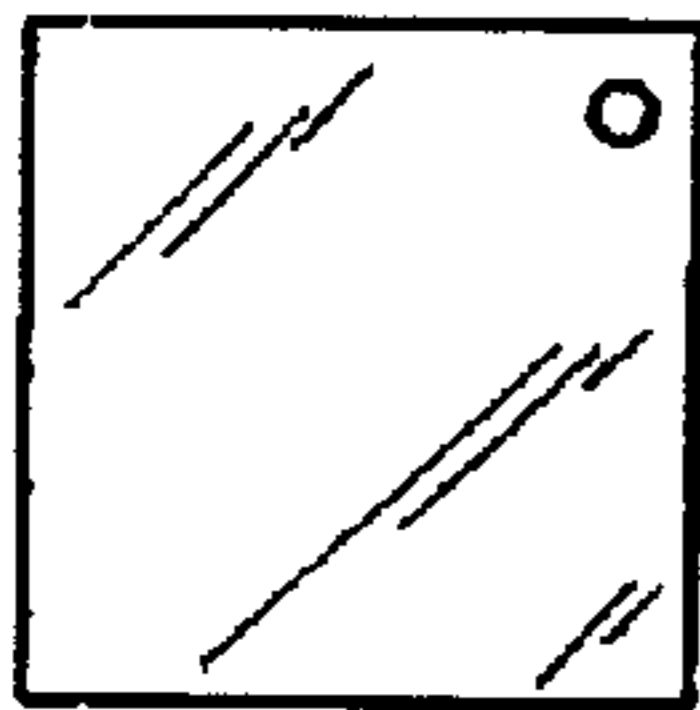
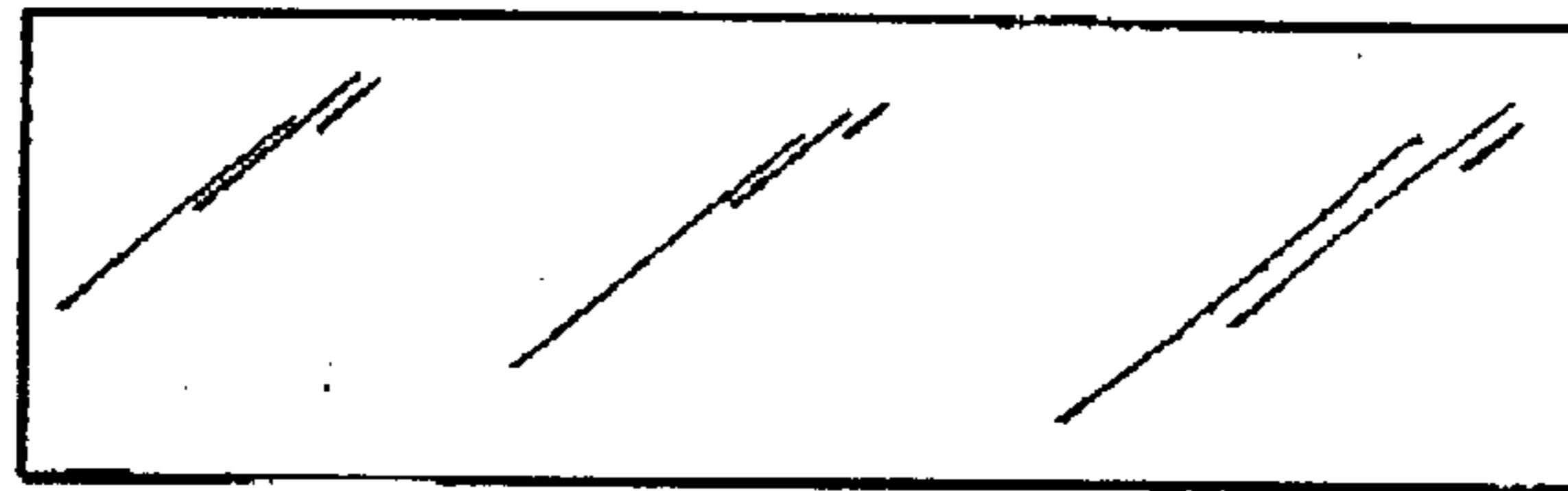


FIG. 7

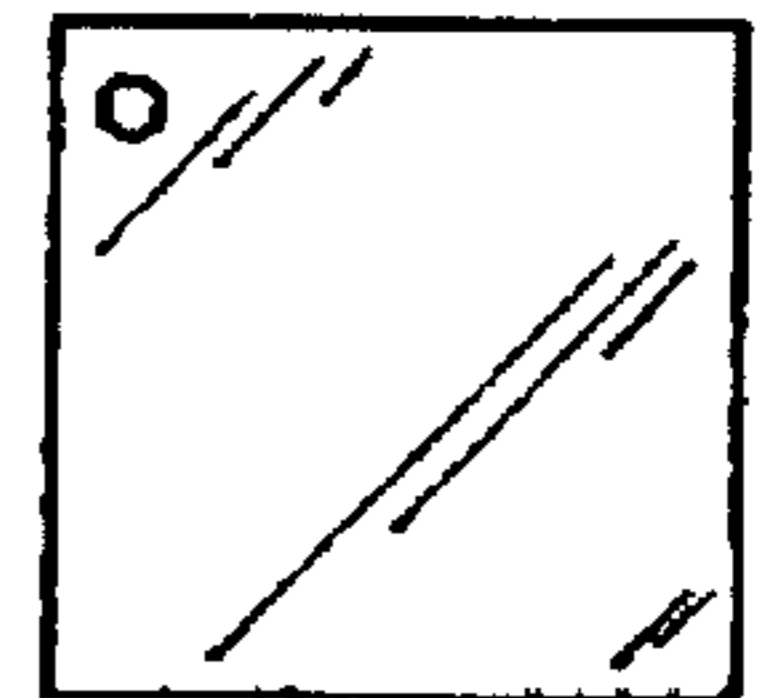


FIG. 8

FIG. 4

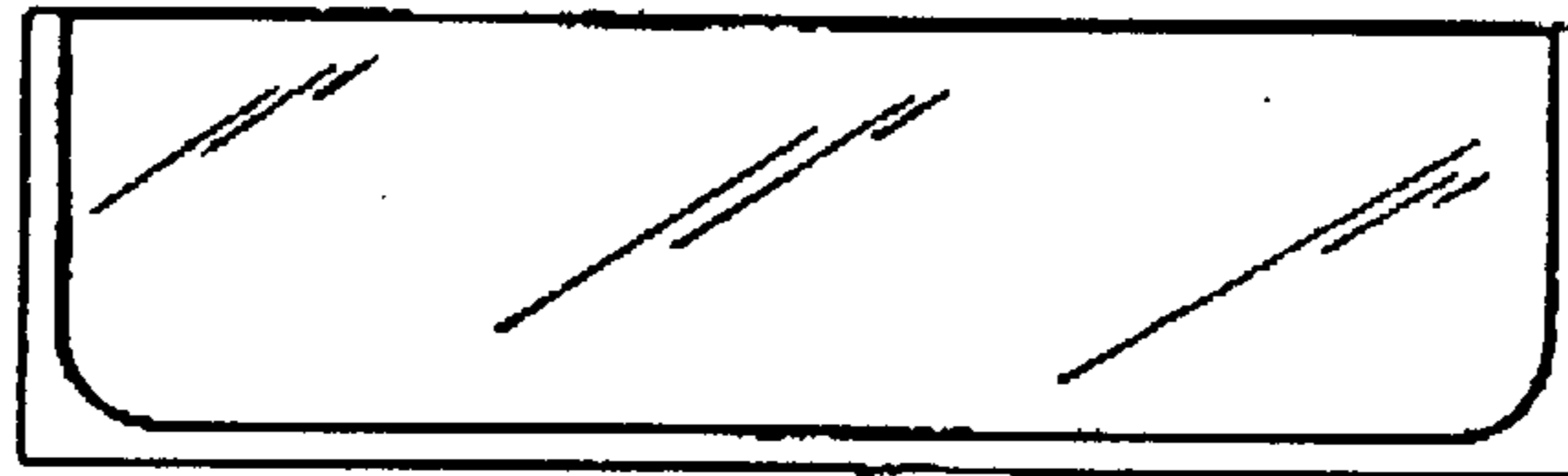


FIG. 6

