



US00D491685S

(12) **United States Design Patent**
Pu

(10) **Patent No.:** **US D491,685 S**

(45) **Date of Patent:** **** Jun. 15, 2004**

(54) **LIGHT**

(75) Inventor: **Mingqiang Pu**, Guangzhou (CN)

(73) Assignee: **World Factory, Inc.**, Southlake, TX (US)

(**) Term: **14 Years**

(21) Appl. No.: **29/178,338**

(22) Filed: **Mar. 24, 2003**

(51) **LOC (7) Cl.** **26-05**

(52) **U.S. Cl.** **D26/67**

(58) **Field of Search** D26/67, 68, 72,
D26/80-92, 113, 118, 128, 129; 362/147,
153, 153.1, 159, 363, 367, 368, 404-408,
431, 432

(56) **References Cited**

U.S. PATENT DOCUMENTS

D45,155 S * 1/1914 Murphy D26/113
D77,957 S * 3/1929 Helvey D26/67

OTHER PUBLICATIONS

CENS Lighting Jul. 2002; p. 82; item#Bt1011 (top left of page).*

CENS Lighting Jul. 2002; p. 78; item circled at top right section of page.*

* cited by examiner

Primary Examiner—Clare E. Heflin

(74) *Attorney, Agent, or Firm*—Hill & Hunn LLP

(57) **CLAIM**

The ornamental design for a light, as shown and described.

DESCRIPTION

FIG. 1 is a perspective view of the light according to the present invention.

FIG. 2 is a front view of the light according to the present invention.

FIG. 3 is a right side view of the light according to the present invention.

FIG. 4 is a rear view of the light according to the present invention.

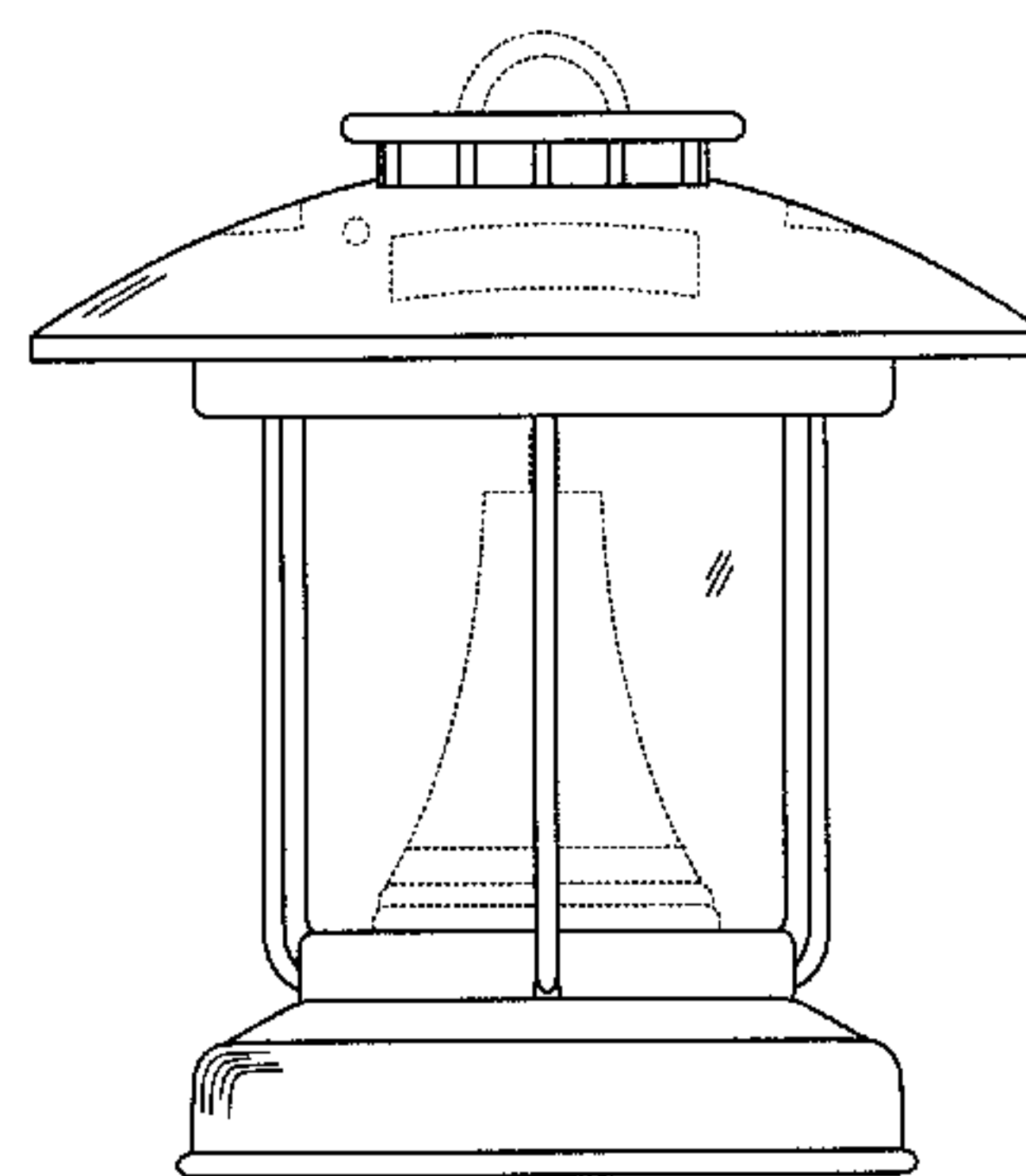
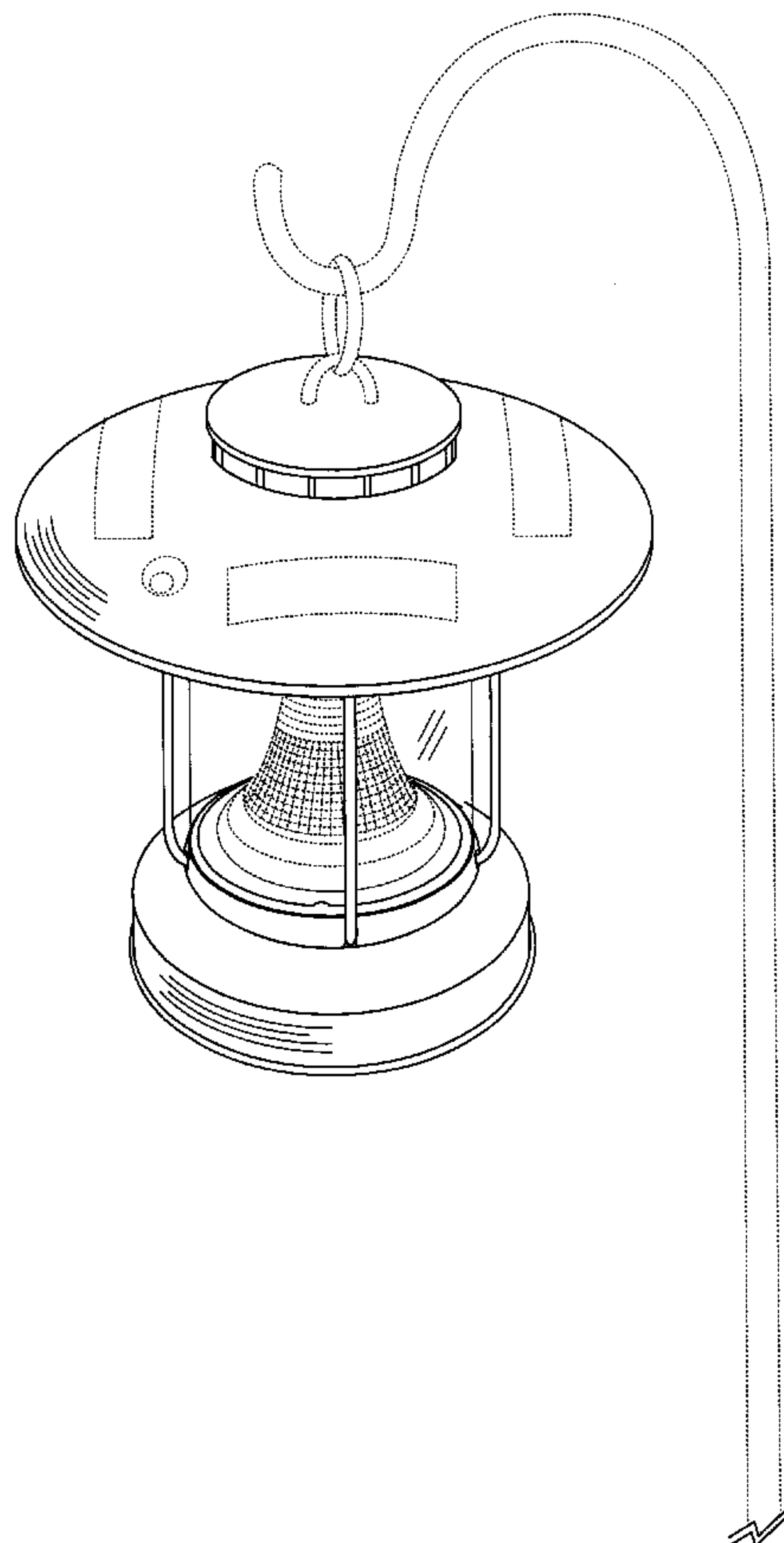
FIG. 5 is a left side view of the light according to the present invention.

FIG. 6 is a top view of the light according to the present invention; and,

FIG. 7 is a bottom view of the light according to the present invention.

The broken lines are for illustrative purposes only and form no part of the claimed invention.

1 Claim, 4 Drawing Sheets



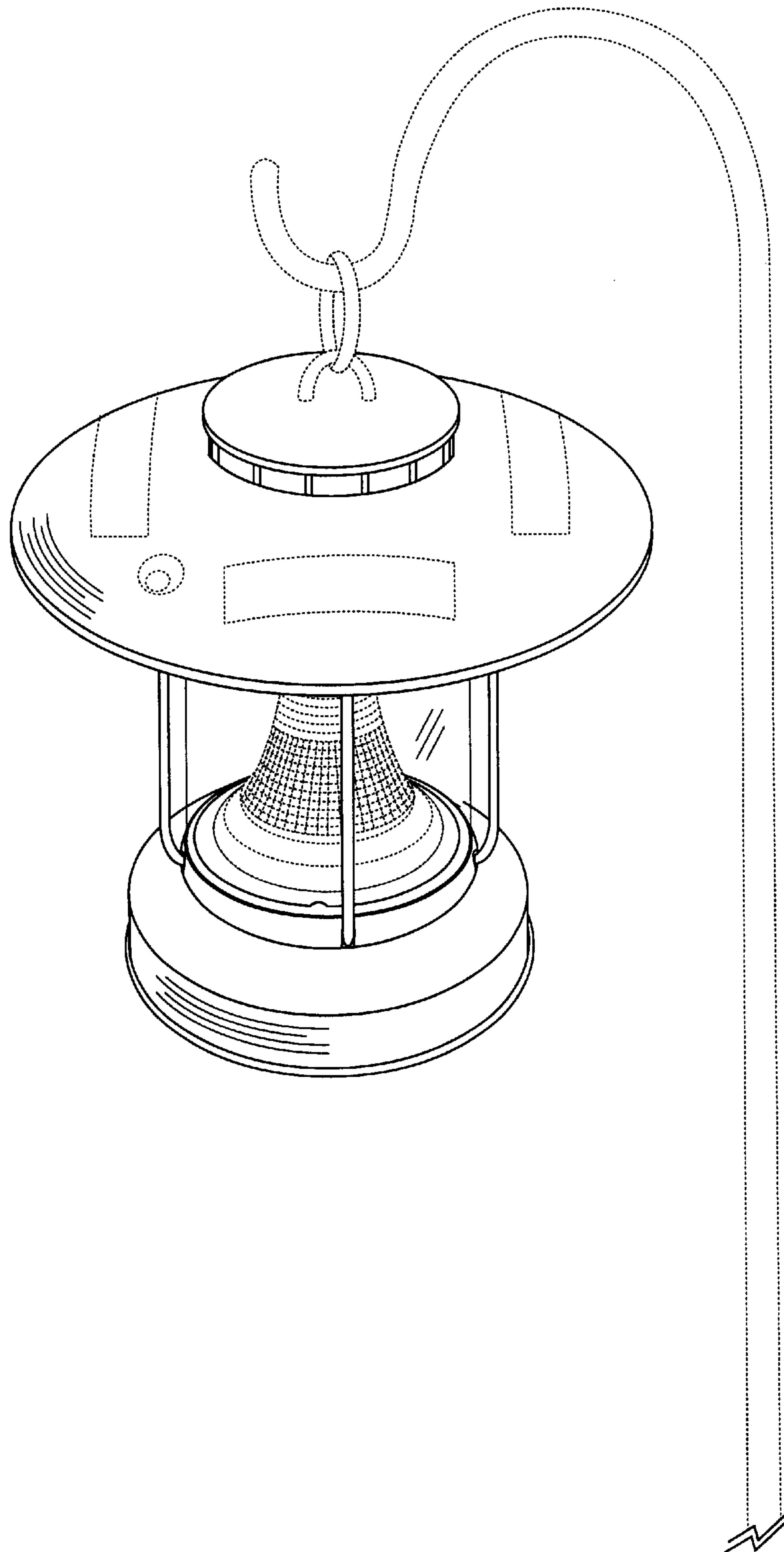


Figure 1

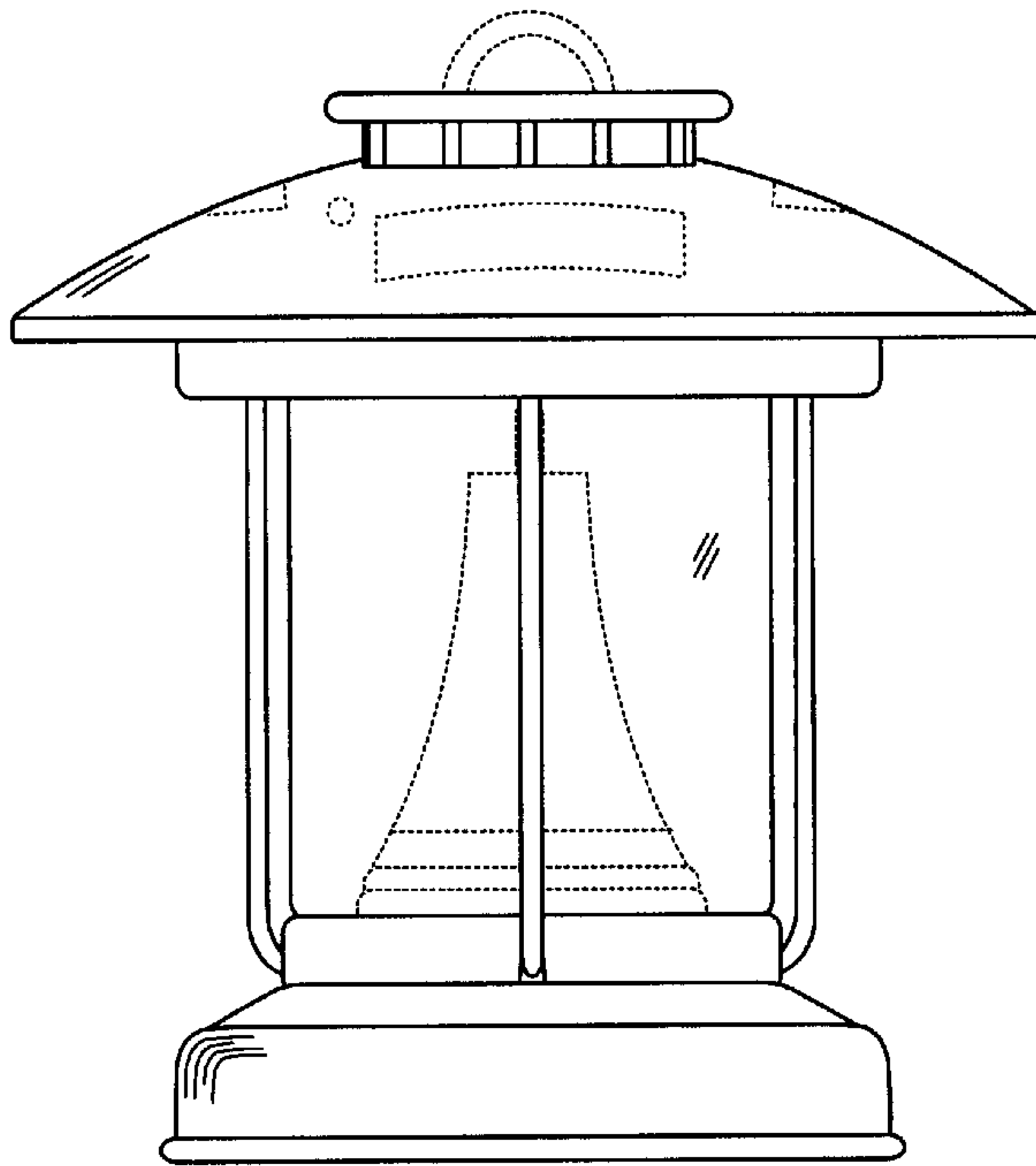


Figure 2

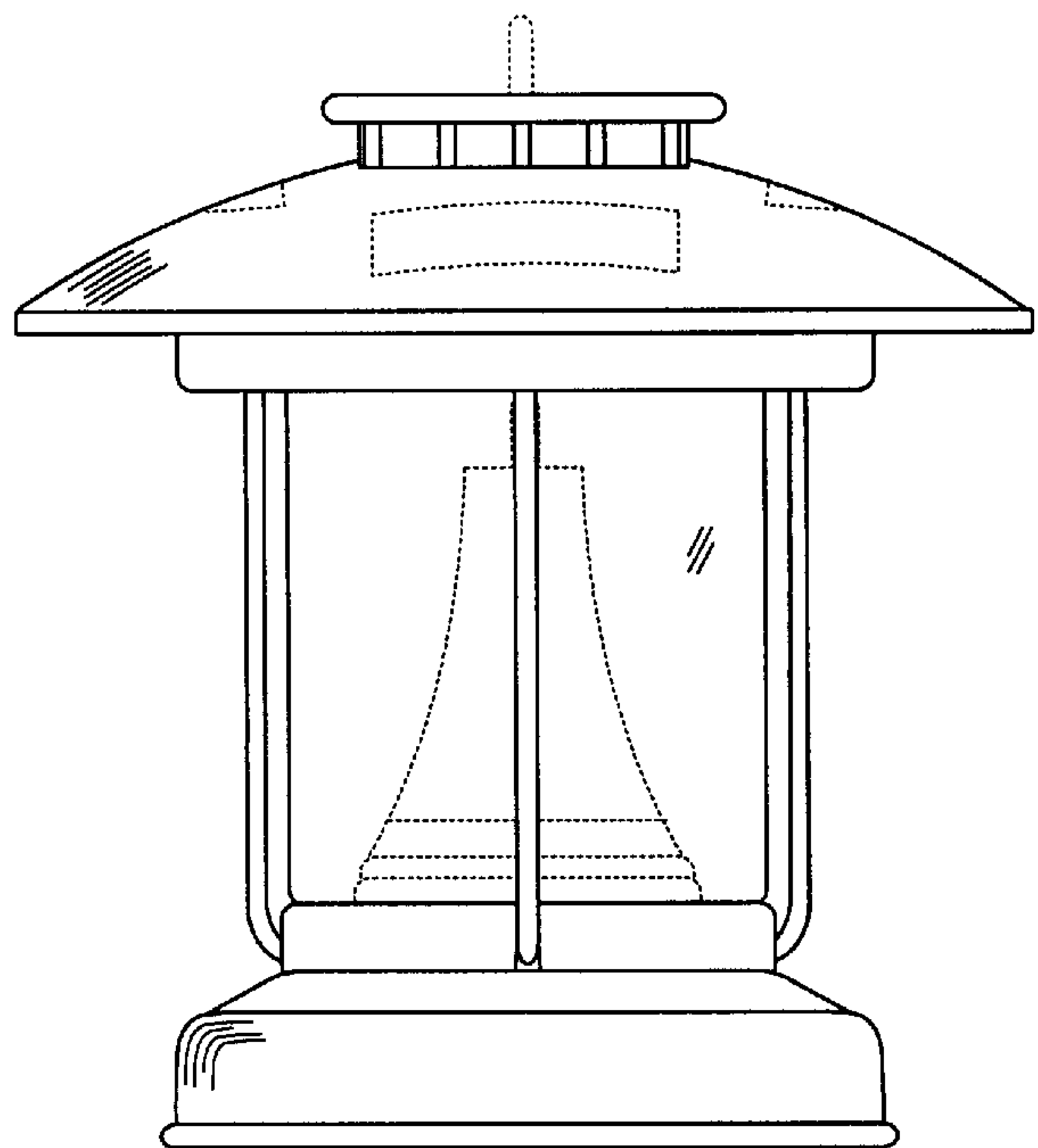


Figure 3

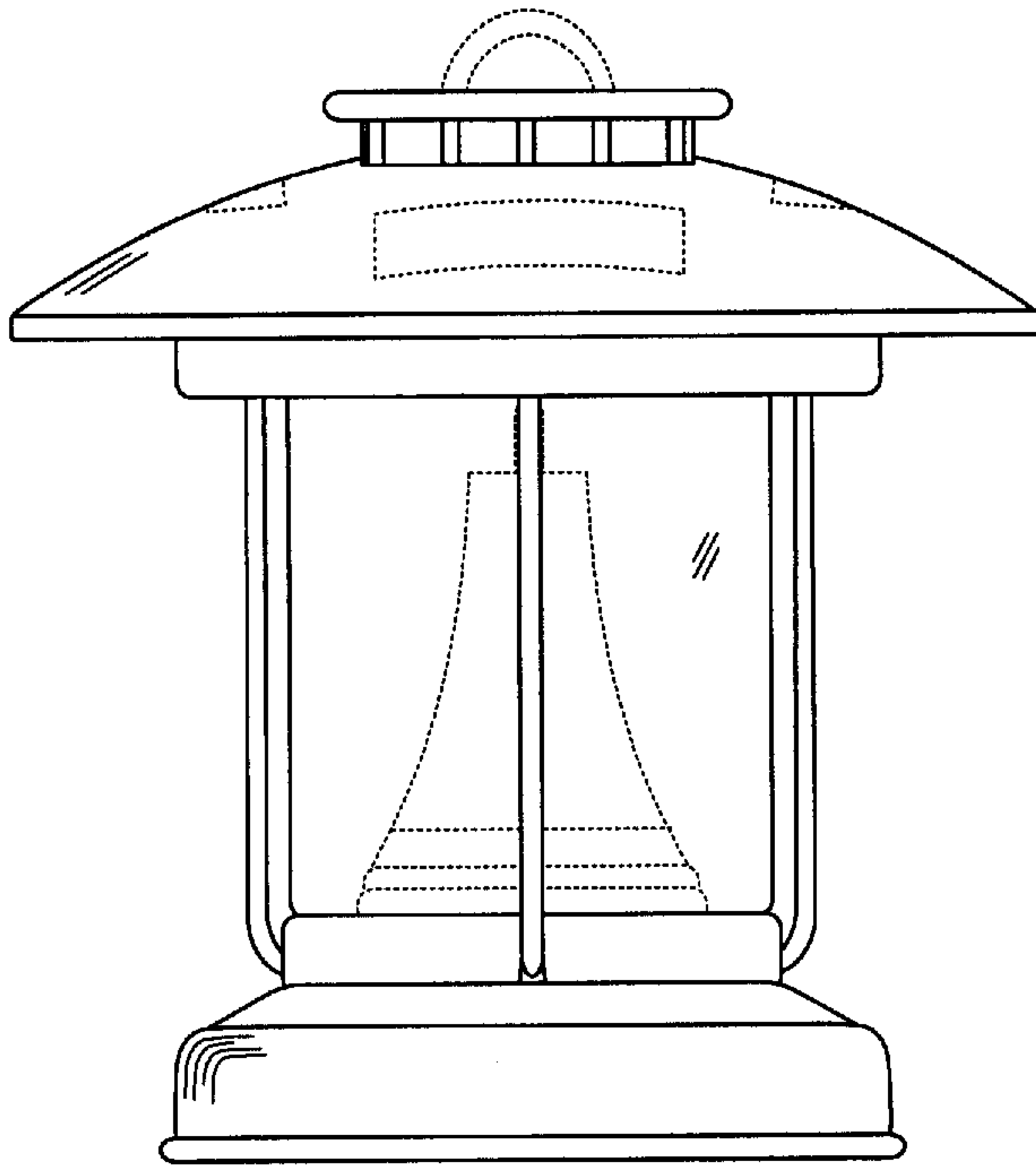


Figure 4

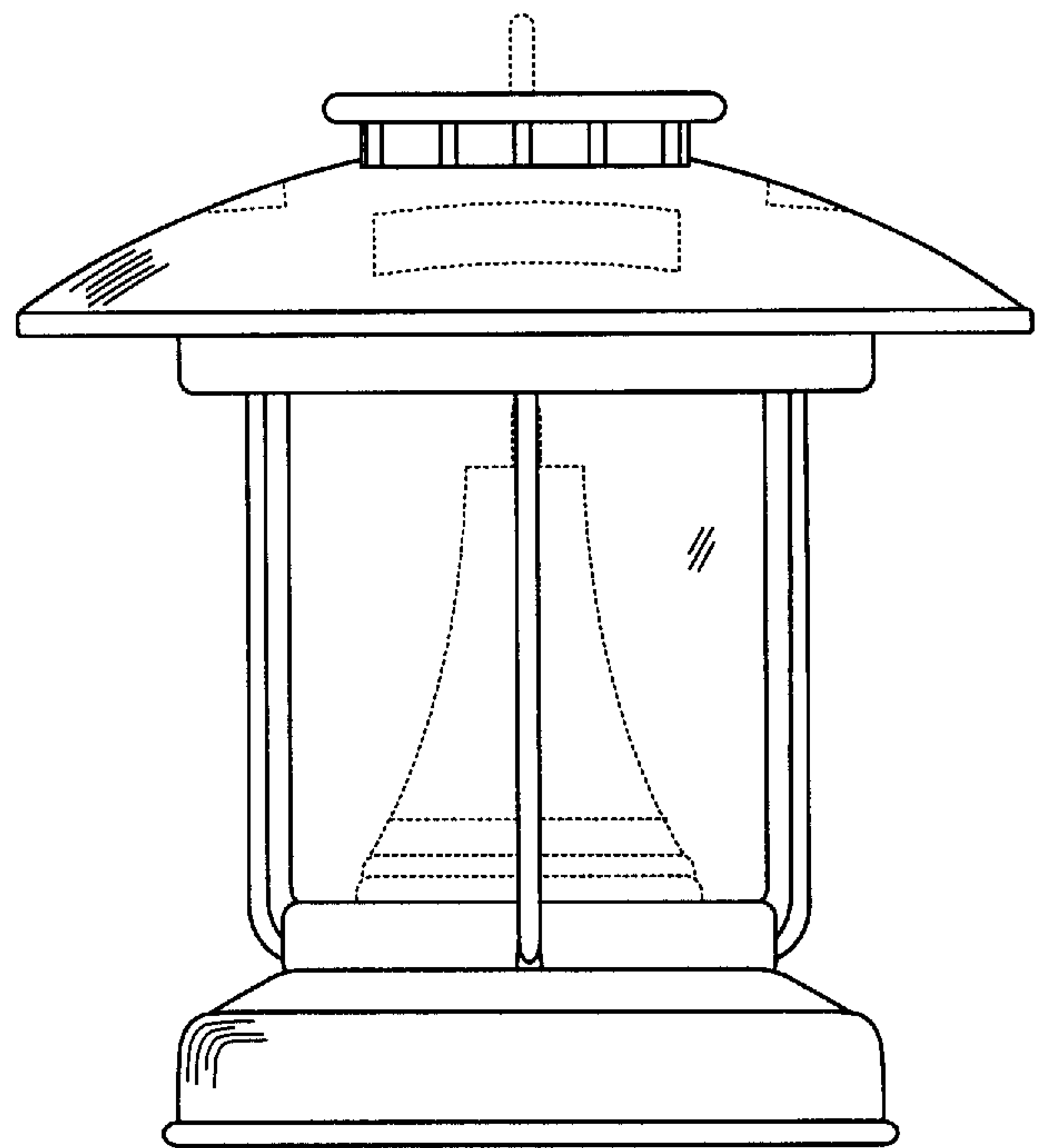


Figure 5

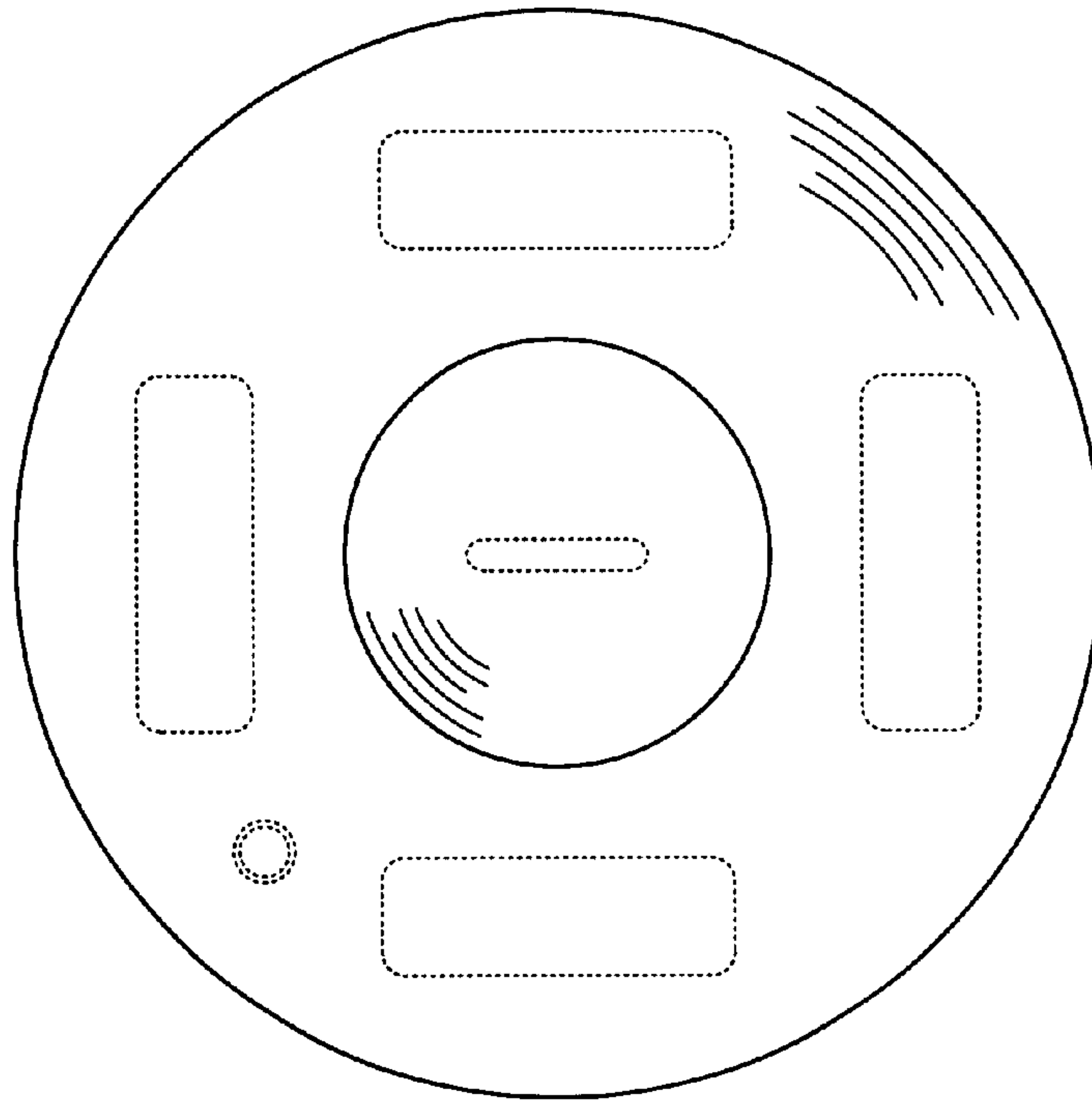


Figure 6

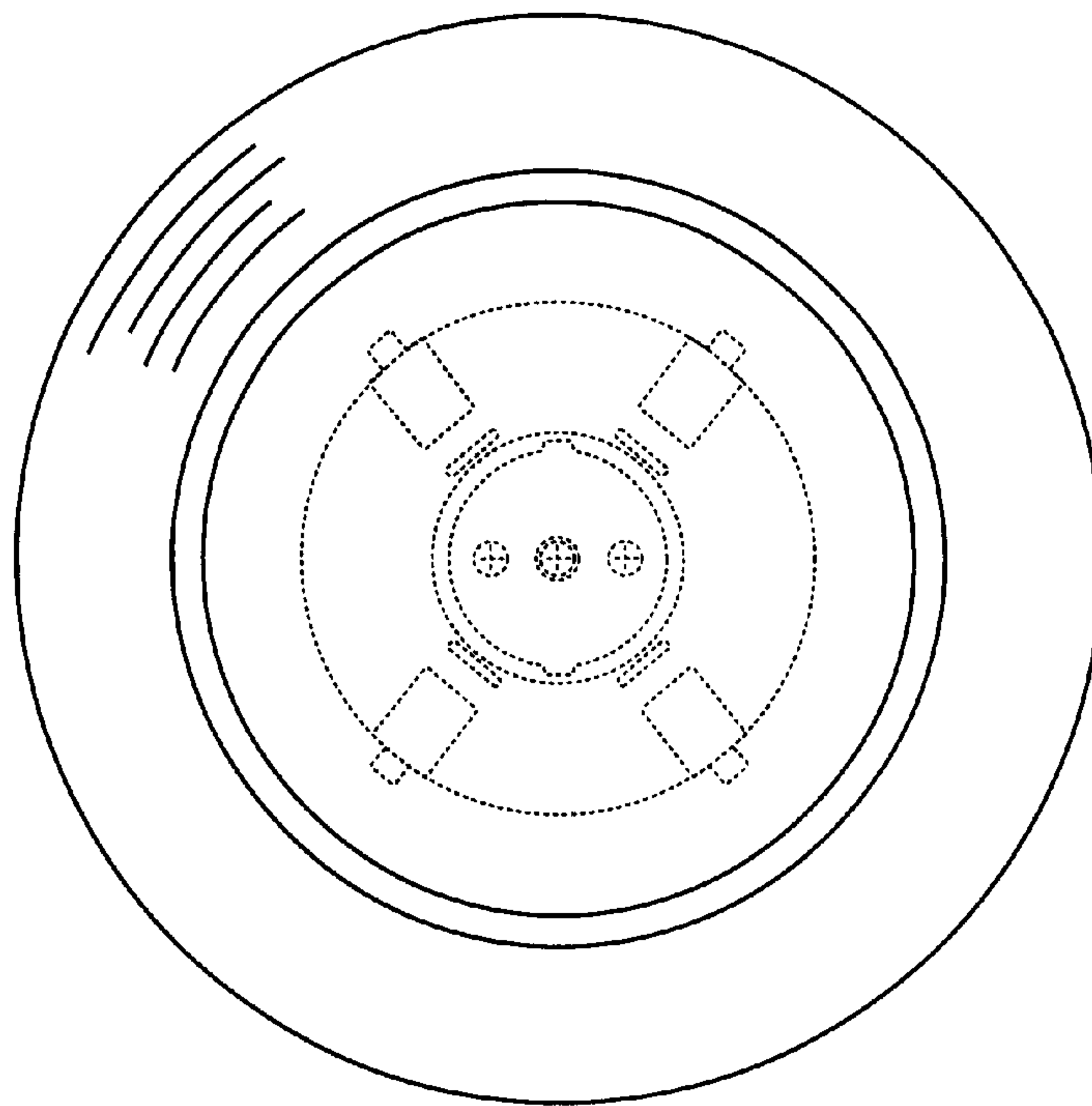


Figure 7