



US00D491684S

(12) **United States Design Patent**
McInnis

(10) **Patent No.:** **US D491,684 S**

(45) **Date of Patent:** **** Jun. 15, 2004**

(54) **LIGHT FIXTURE**

(76) **Inventor:** **Rodney McInnis**, 914 Sandy Forest Place, Ottawa, Ontario (CA), K1V 1R5

(**) **Term:** **14 Years**

(21) **Appl. No.:** **29/171,639**

(22) **Filed:** **Nov. 27, 2002**

(51) **LOC (7) Cl.** **26-05**

(52) **U.S. Cl.** **D26/63**

(58) **Field of Search** D26/24, 60-66;
362/269, 267, 272, 273, 275, 277, 281,
285, 287, 288, 418, 419, 427

(56) **References Cited**

U.S. PATENT DOCUMENTS

3,116,022 A	*	12/1963	Davis	362/294
3,388,246 A		6/1968	Bailey		
4,160,285 A		7/1979	Shibla		
D253,853 S	*	1/1980	Gerber	D26/63
D253,854 S	*	1/1980	Strignano	D26/89
D293,478 S	*	12/1987	Palone	D26/24
4,768,139 A	*	8/1988	Poppenheimer	362/302
4,774,643 A		9/1988	McGinnis et al.		
4,947,291 A		8/1990	McDermott		
4,967,330 A		10/1990	Bell et al.		
D328,147 S	*	7/1992	Gecchelin	D26/63
D369,877 S	*	5/1996	Lupien	D26/64
D373,437 S	*	9/1996	Kira	D26/63
5,599,091 A		2/1997	Kira		
5,649,760 A	*	7/1997	Beadle	362/431
D399,584 S	*	10/1998	Giese et al.	D26/63

D415,301 S	*	10/1999	Stacy et al.	D26/63
D437,956 S	*	2/2001	Cogliano et al.	D26/63
D448,509 S	*	9/2001	Lin	D26/63

OTHER PUBLICATIONS

Visual Effects Inc. brochure / dated at least as early as Jun. 2003/ Item PS-4, Pin Spot.*

* cited by examiner

Primary Examiner—Clare E. Heflin

(74) *Attorney, Agent, or Firm*—Hoffman, Wasson & Gitler, PC

(57) **CLAIM**

The ornamental design for a light fixture, as shown and described.

DESCRIPTION

FIG. 1 is a perspective view of the light fixture including a lens cap;
 FIG. 2 is a top plan view of the light fixture in FIG. 1;
 FIG. 3 is a bottom plan view of the light fixture in FIG. 1;
 FIG. 4 is a right side elevational view of the light fixture in FIG. 1;
 FIG. 5 is a left side elevational view of the light fixture in FIG. 1;
 FIG. 6 is a front elevational view of the light fixture in FIG. 1; and,
 FIG. 7 is a rear elevational view of the light fixture in FIG. 1.

1 Claim, 7 Drawing Sheets

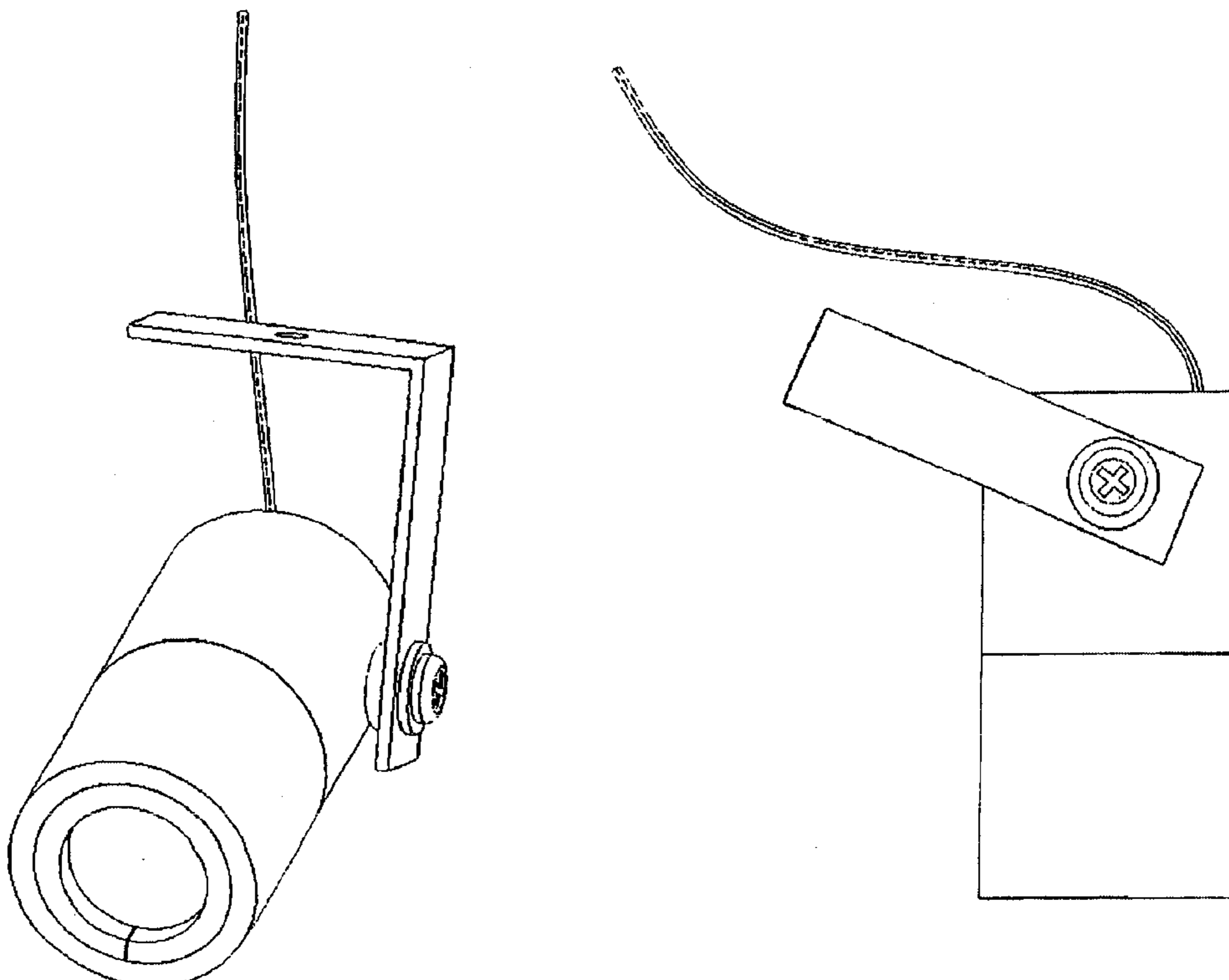
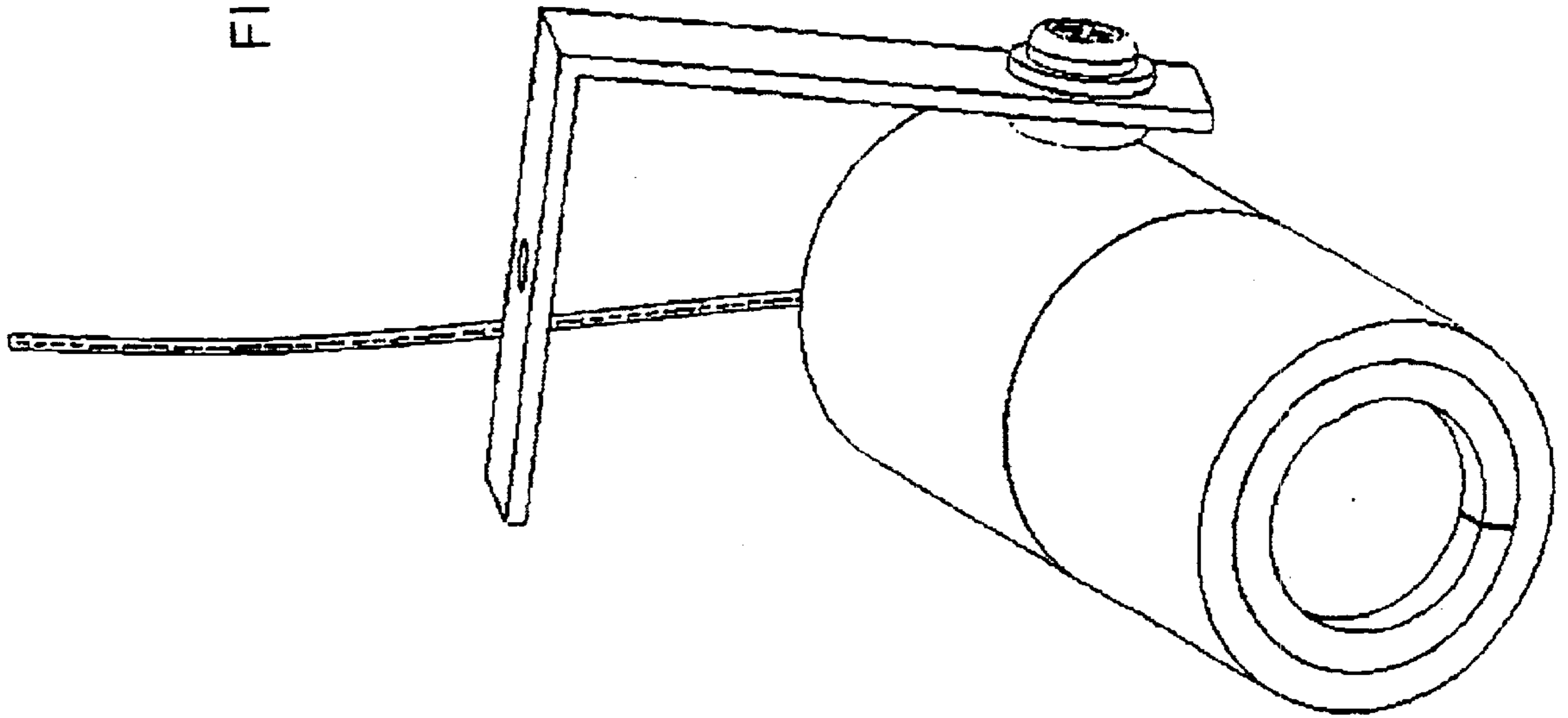


FIG. 1



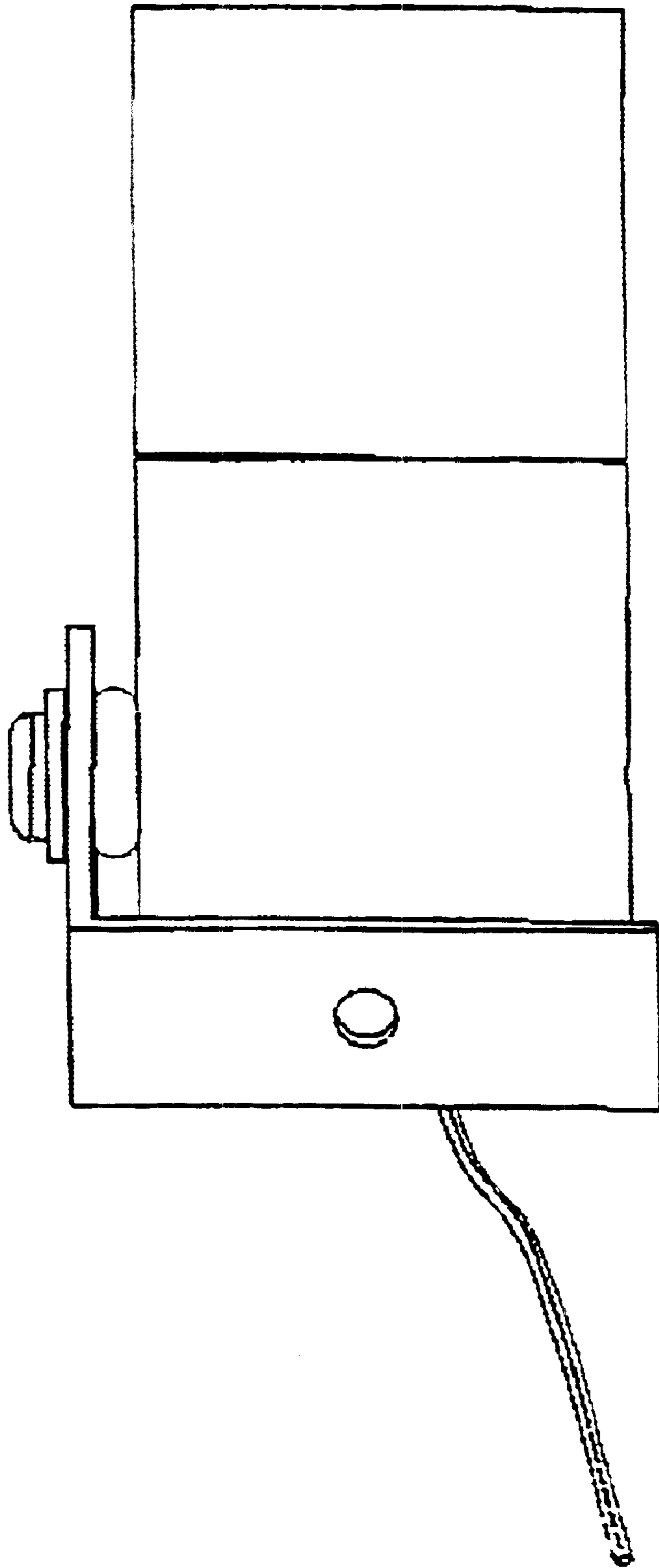


FIG. 2

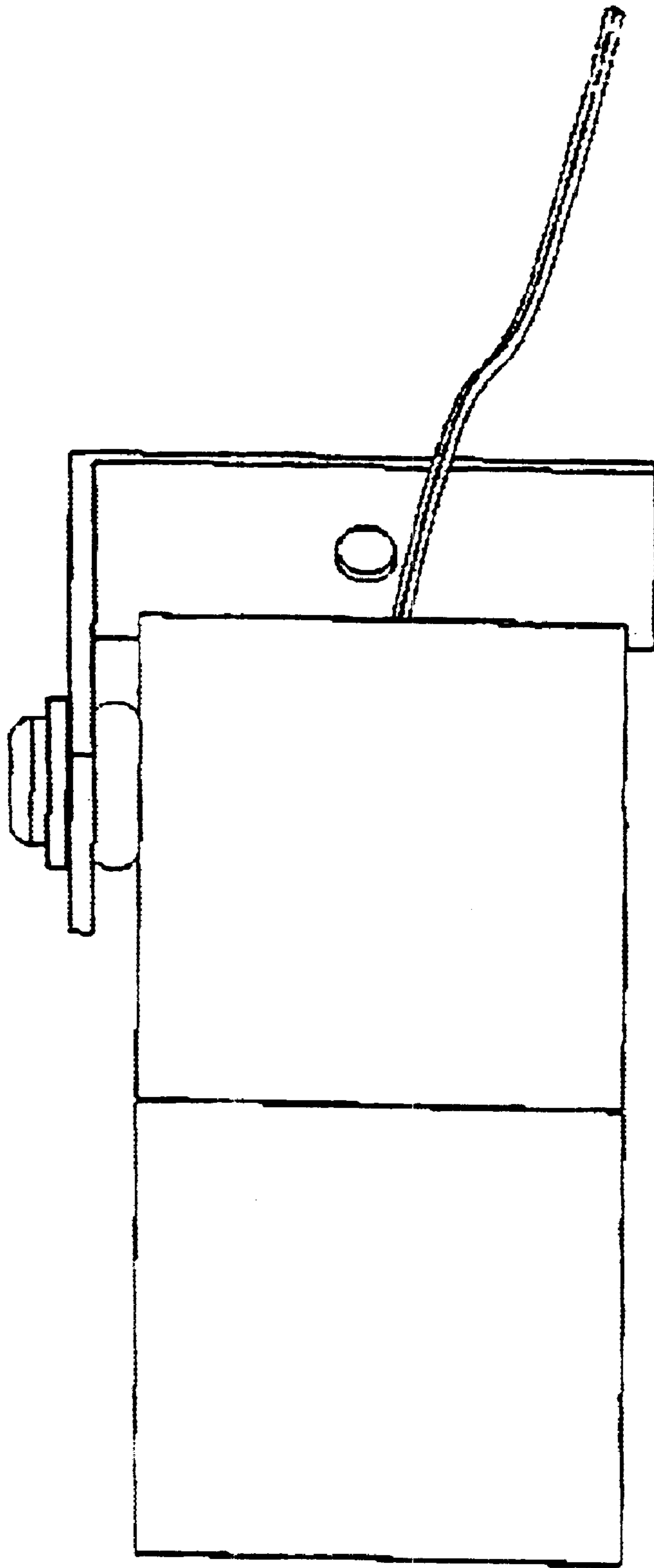
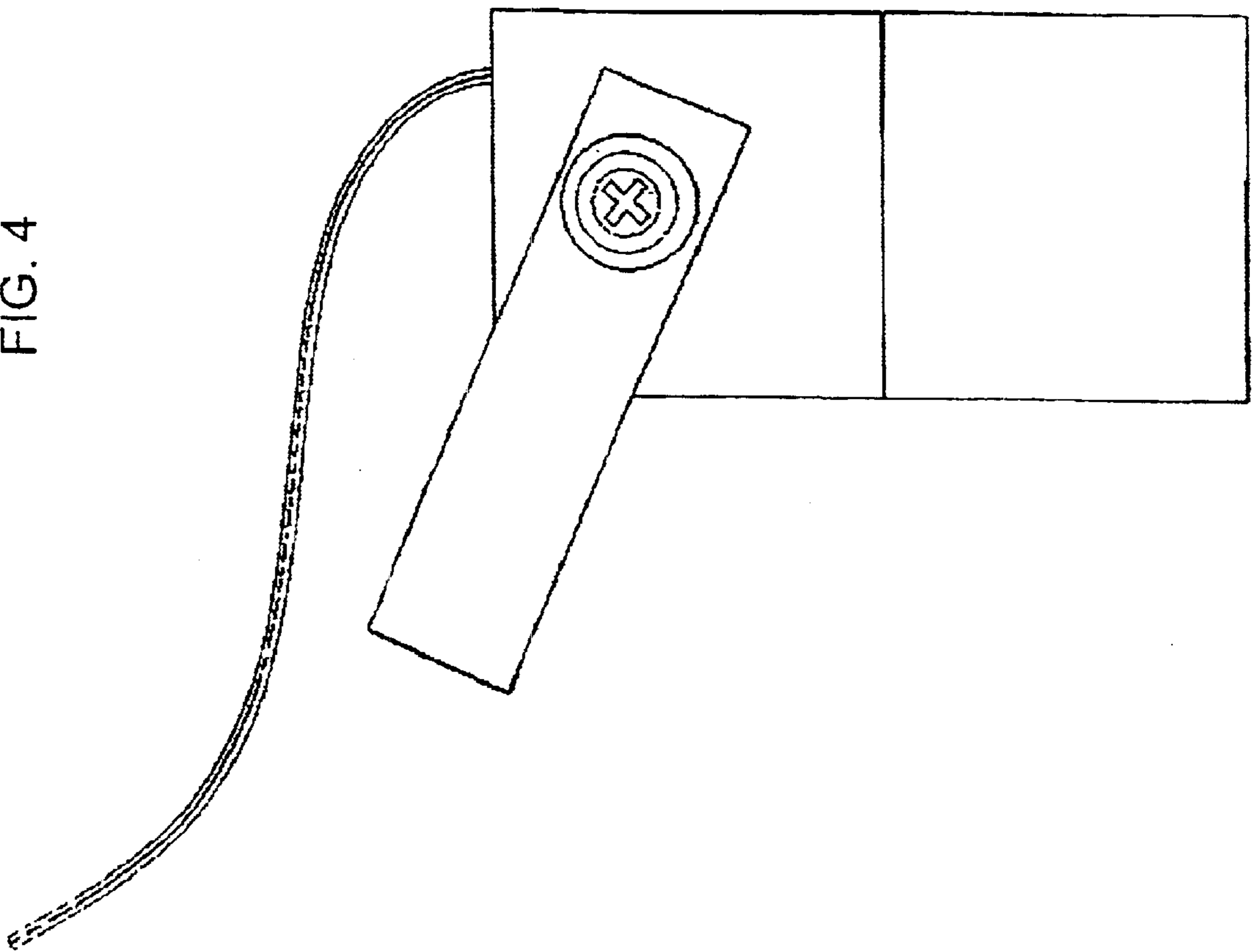


FIG. 3

FIG. 4



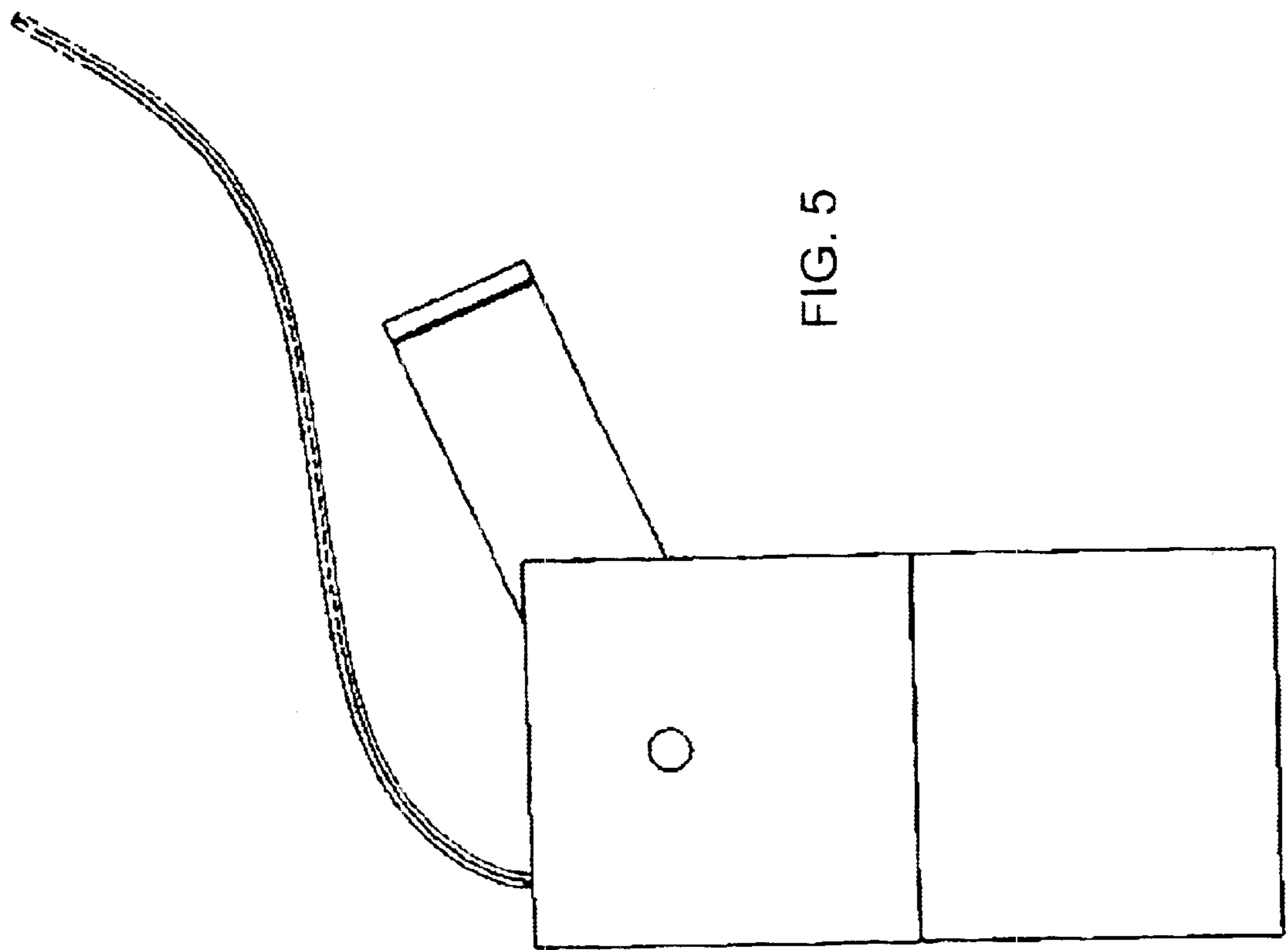


FIG. 5

FIG. 6

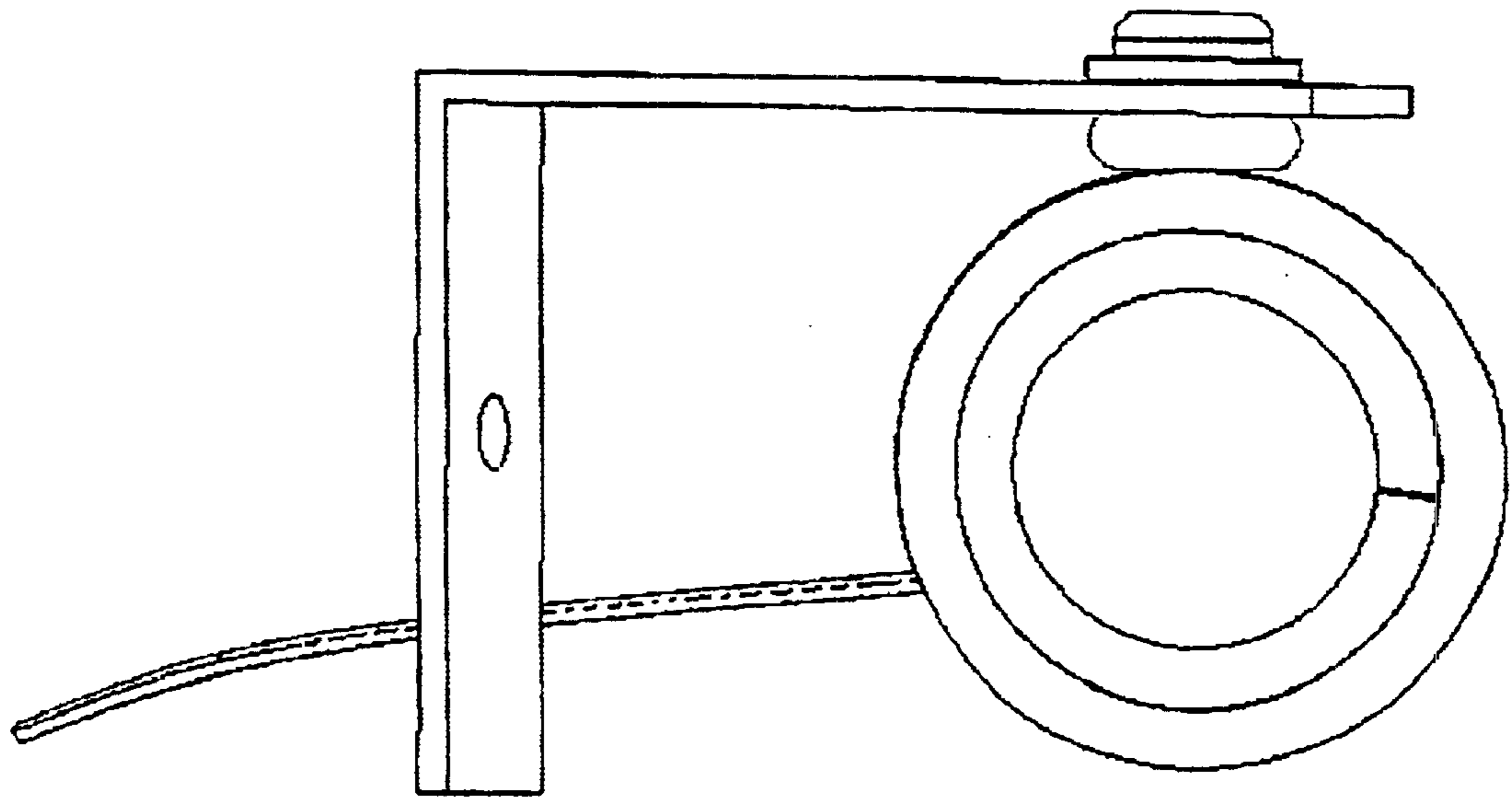


FIG. 7

