



US00D491681S

(12) **United States Design Patent**  
**Hirano**

(10) **Patent No.:** **US D491,681 S**  
(45) **Date of Patent:** **\*\* Jun. 15, 2004**

(54) **PORTABLE FLUORESCENT LIGHT**

(75) Inventor: **Toyoaki Hirano, Katano (JP)**

(73) Assignee: **Matsushita Electric Works, Ltd. (JP)**

(\*\*) Term: **14 Years**

(21) Appl. No.: **29/168,857**

(22) Filed: **Oct. 10, 2002**

(51) **LOC (7) Cl.** ..... **26-02**

(52) **U.S. Cl.** ..... **D26/42**

(58) **Field of Search** ..... **D26/37-50; 362/157,**  
**362/158, 171-173, 183-208**

(56) **References Cited**

**U.S. PATENT DOCUMENTS**

D423,127 S	*	4/2000	Yuen	.....	D26/42
D426,006 S	*	5/2000	Yuen	.....	D26/42
D428,174 S	*	7/2000	Yuen	.....	D26/42

\* cited by examiner

*Primary Examiner*—**Marcus A. Jackson**

(74) *Attorney, Agent, or Firm*—**Osha Novak & May L.L.P.**

(57) **CLAIM**

The ornamental design for a portable fluorescent light, as shown and described.

**DESCRIPTION**

FIG. 1 is a front view of the design according to one embodiment of the invention.

FIG. 2 is a rear view of the design according to one embodiment of the invention.

FIG. 3 is a top view of the design according to one embodiment of the invention.

FIG. 4 is a bottom view of the design according to one embodiment of the invention.

FIG. 5 is a left side view of the design according to one embodiment of the invention.

FIG. 6 is a right side view of the design according to one embodiment of the invention.

FIG. 7 is a sectional top view of FIG. 1 along the 7—7 line.

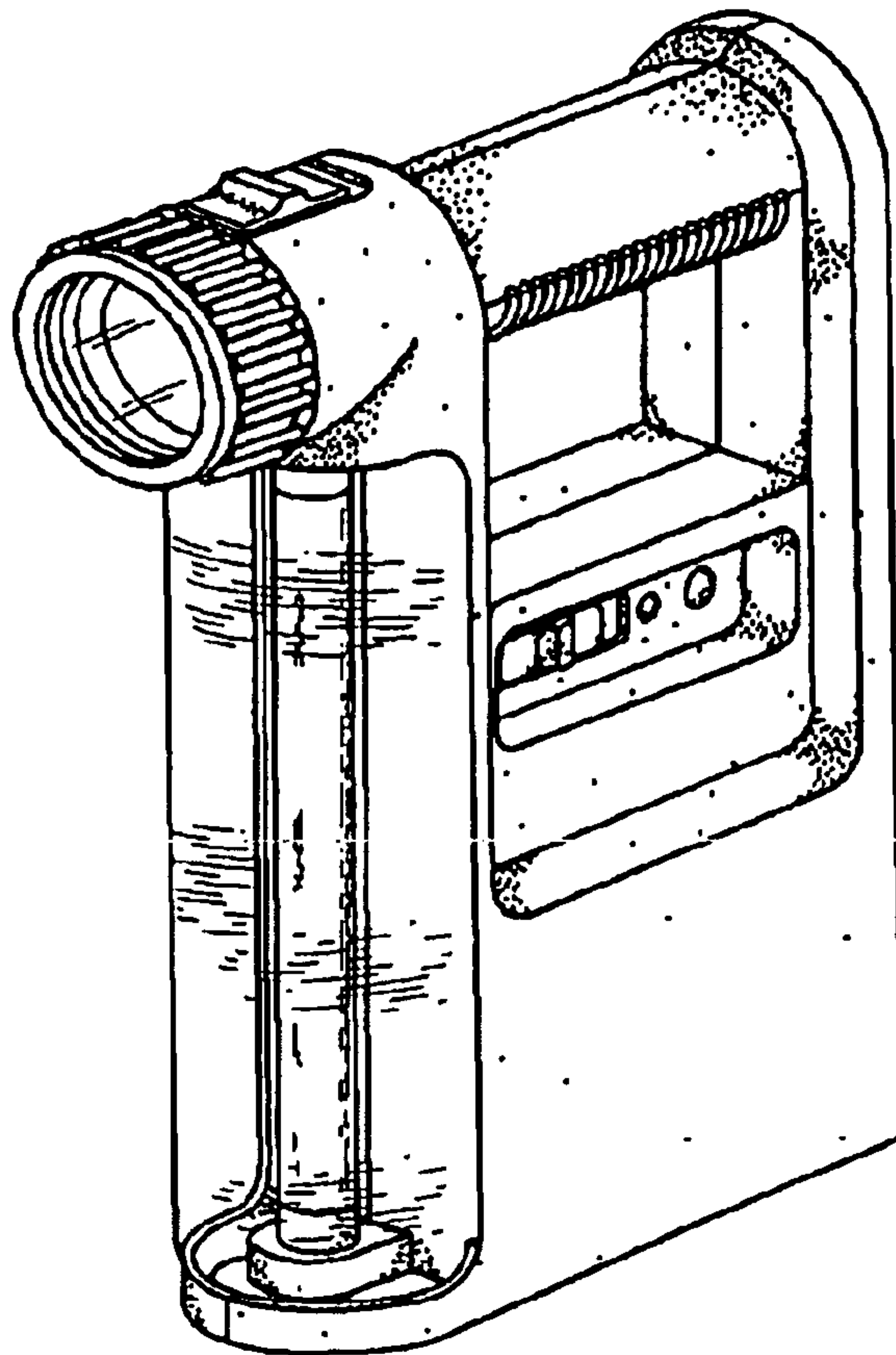
FIG. 8 is a sectional top view of FIG. 1 along the 8—8 line.

FIG. 9 is a sectional top view of FIG. 3 along the 9—9 line.

FIG. 10 is a perspective view in accordance with one embodiment of the invention; and,

FIG. 11 is a perspective view in accordance with one embodiment of the invention.

**1 Claim, 3 Drawing Sheets**



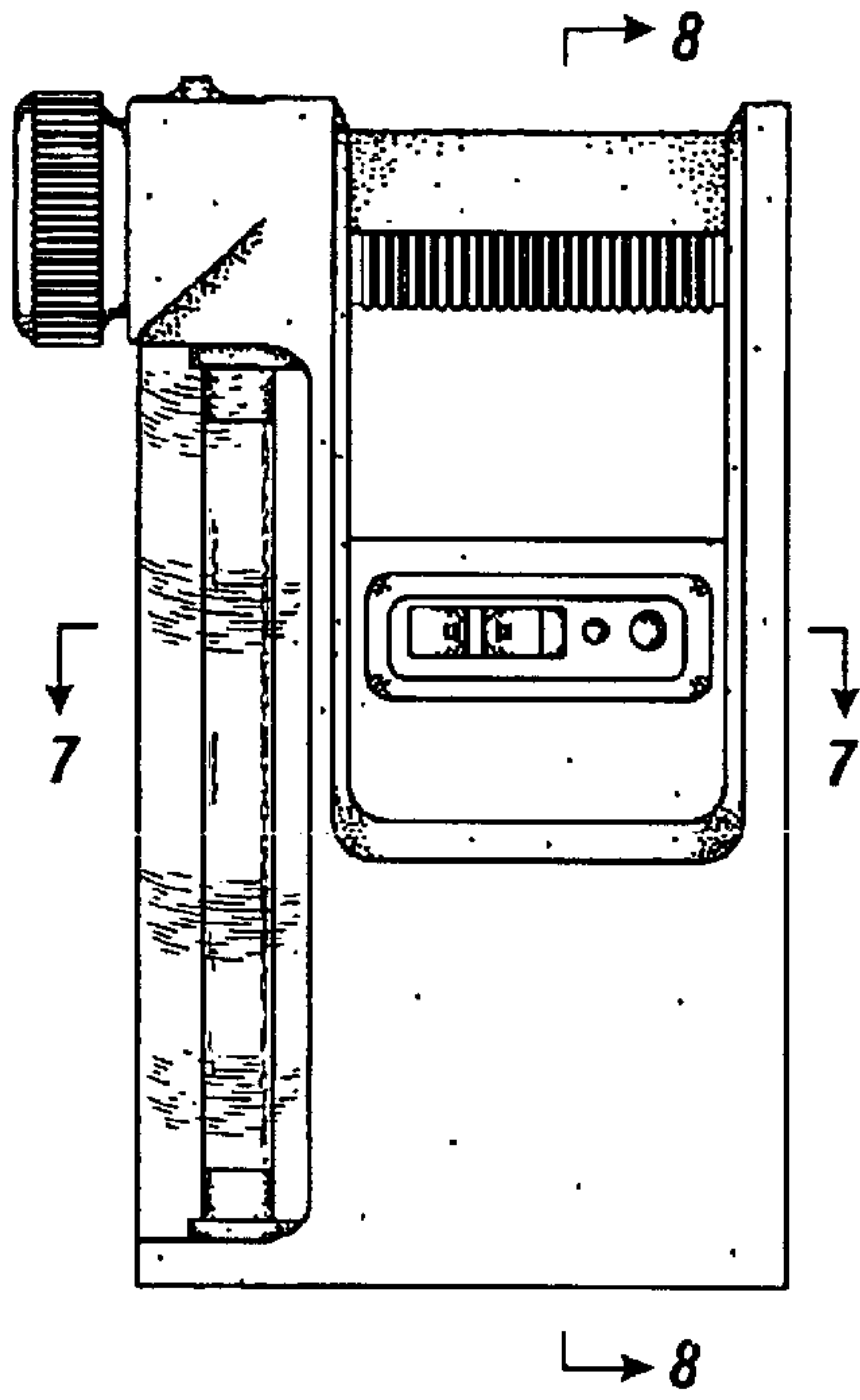


FIG. 1

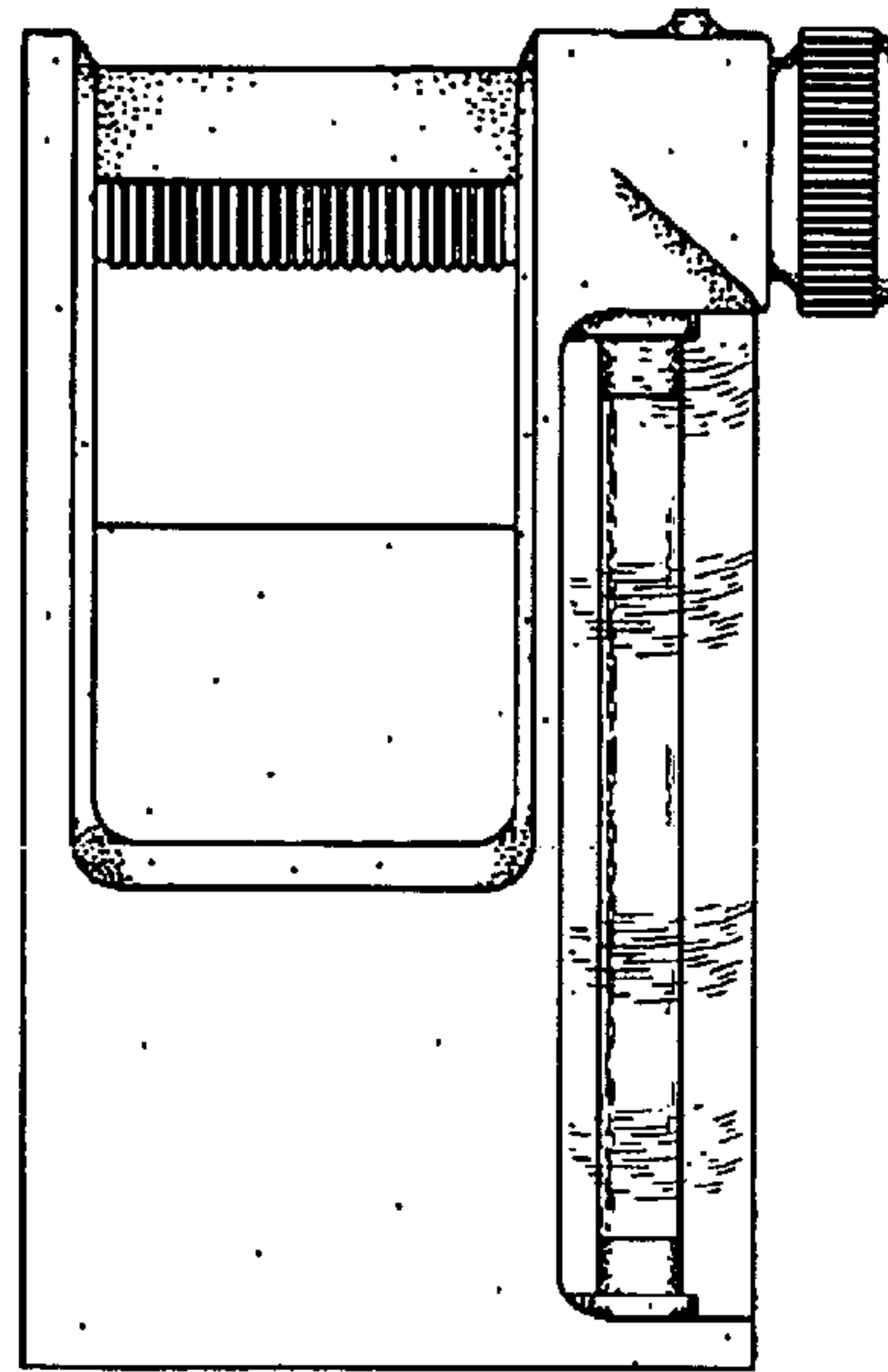


FIG. 2

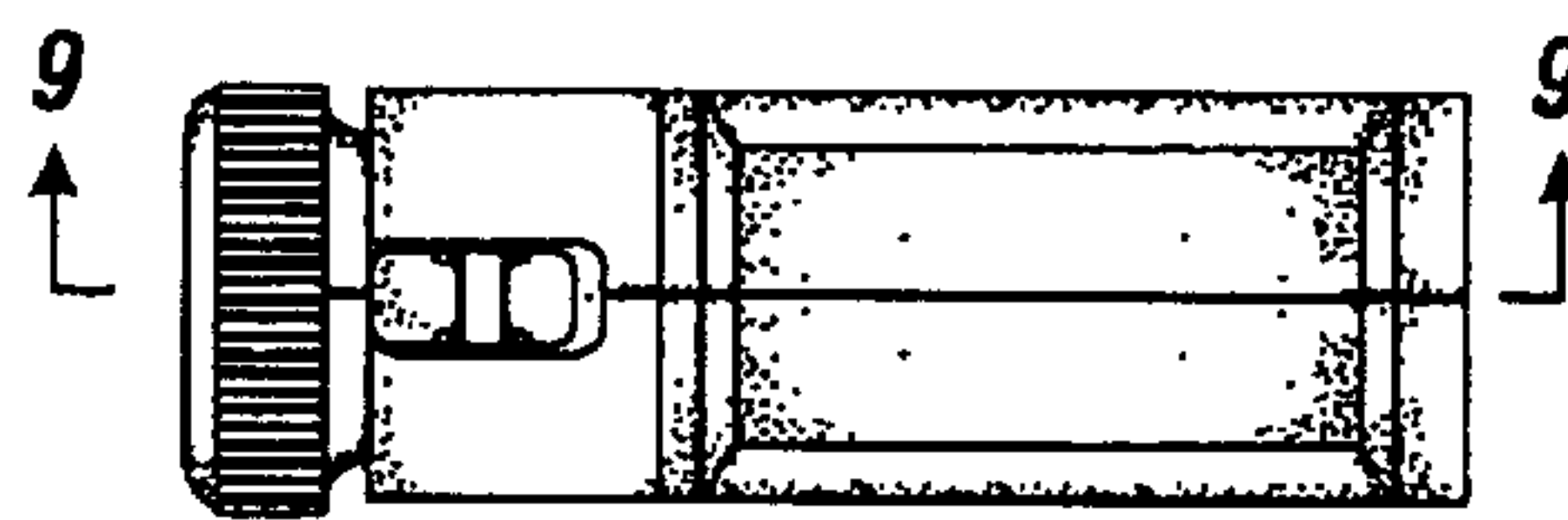


FIG. 3

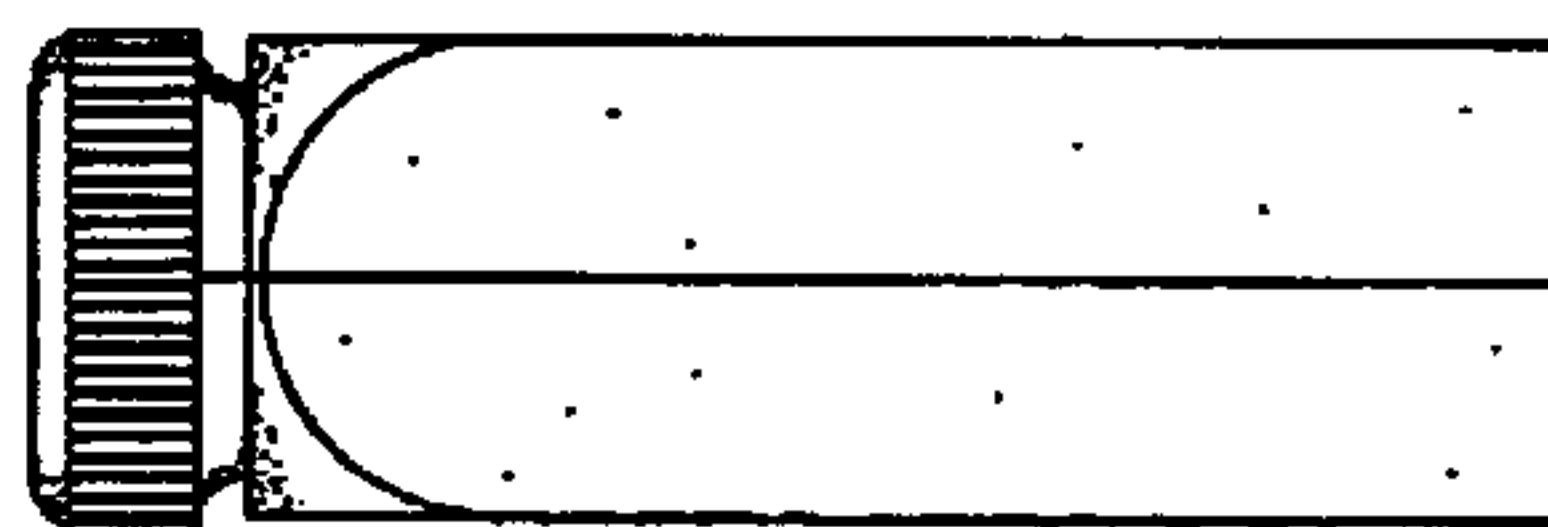
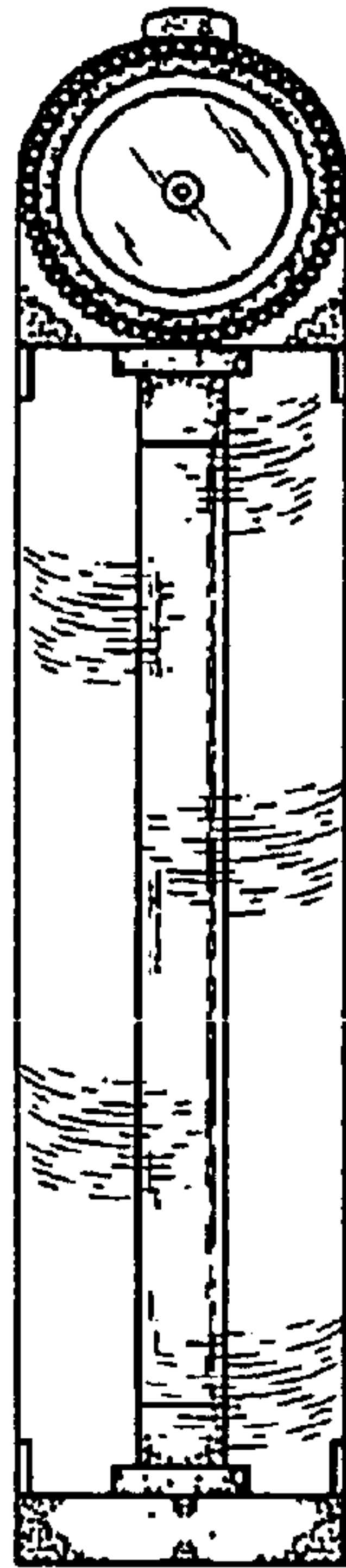
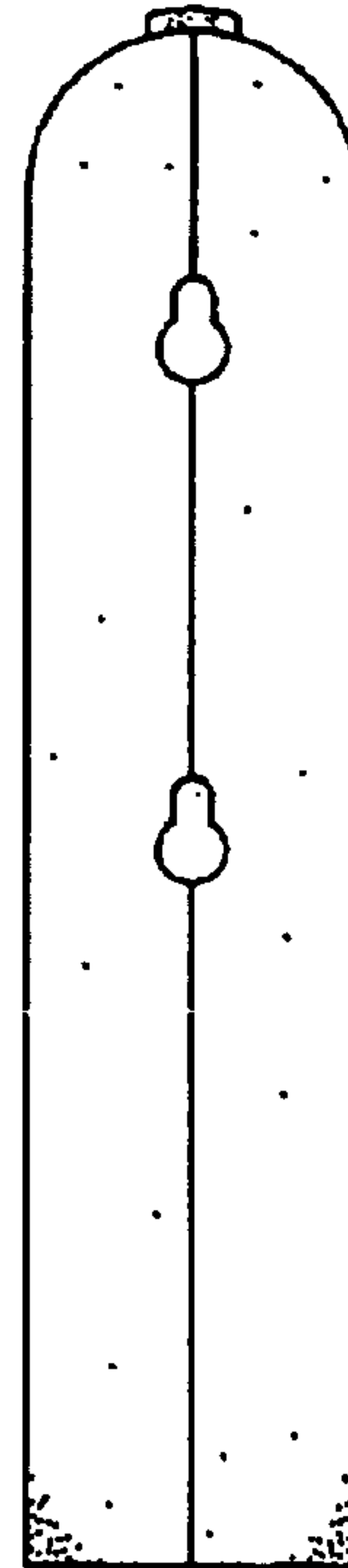


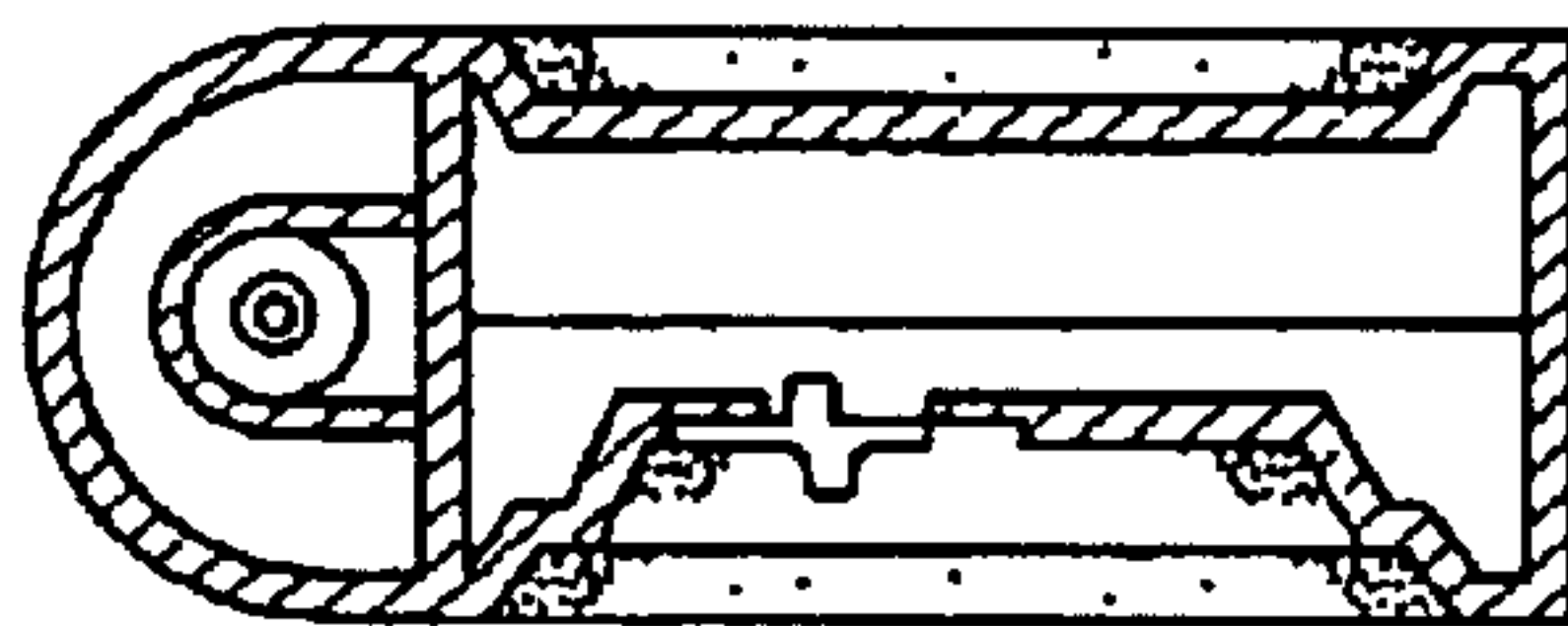
FIG. 4



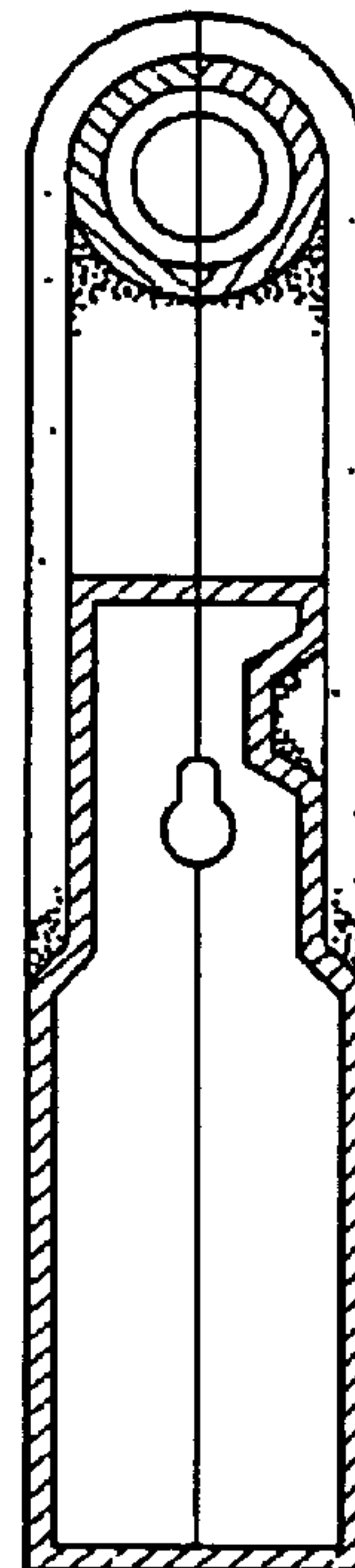
**FIG. 5**



**FIG. 6**



**FIG. 7**



**FIG. 8**

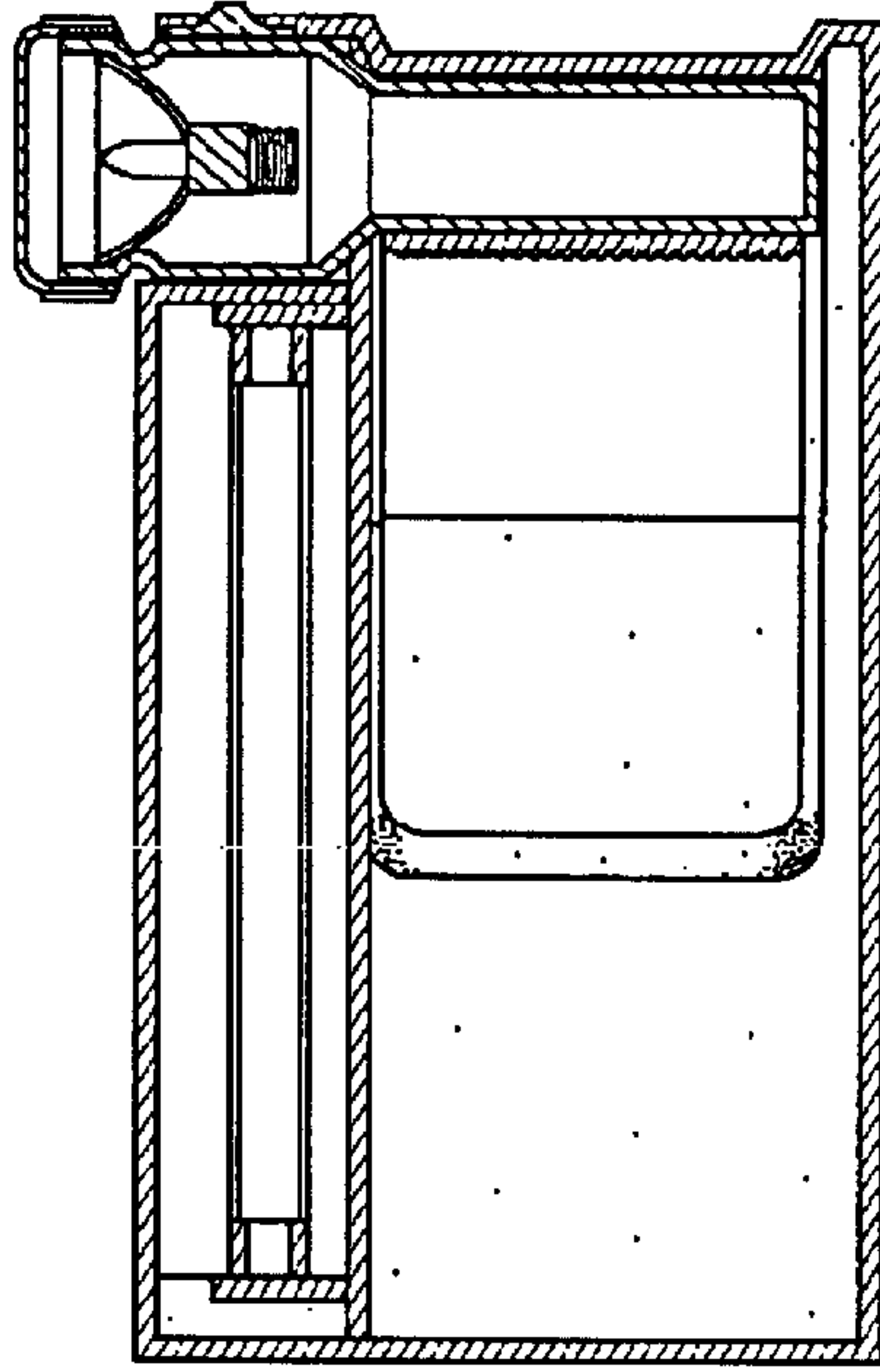


FIG. 9

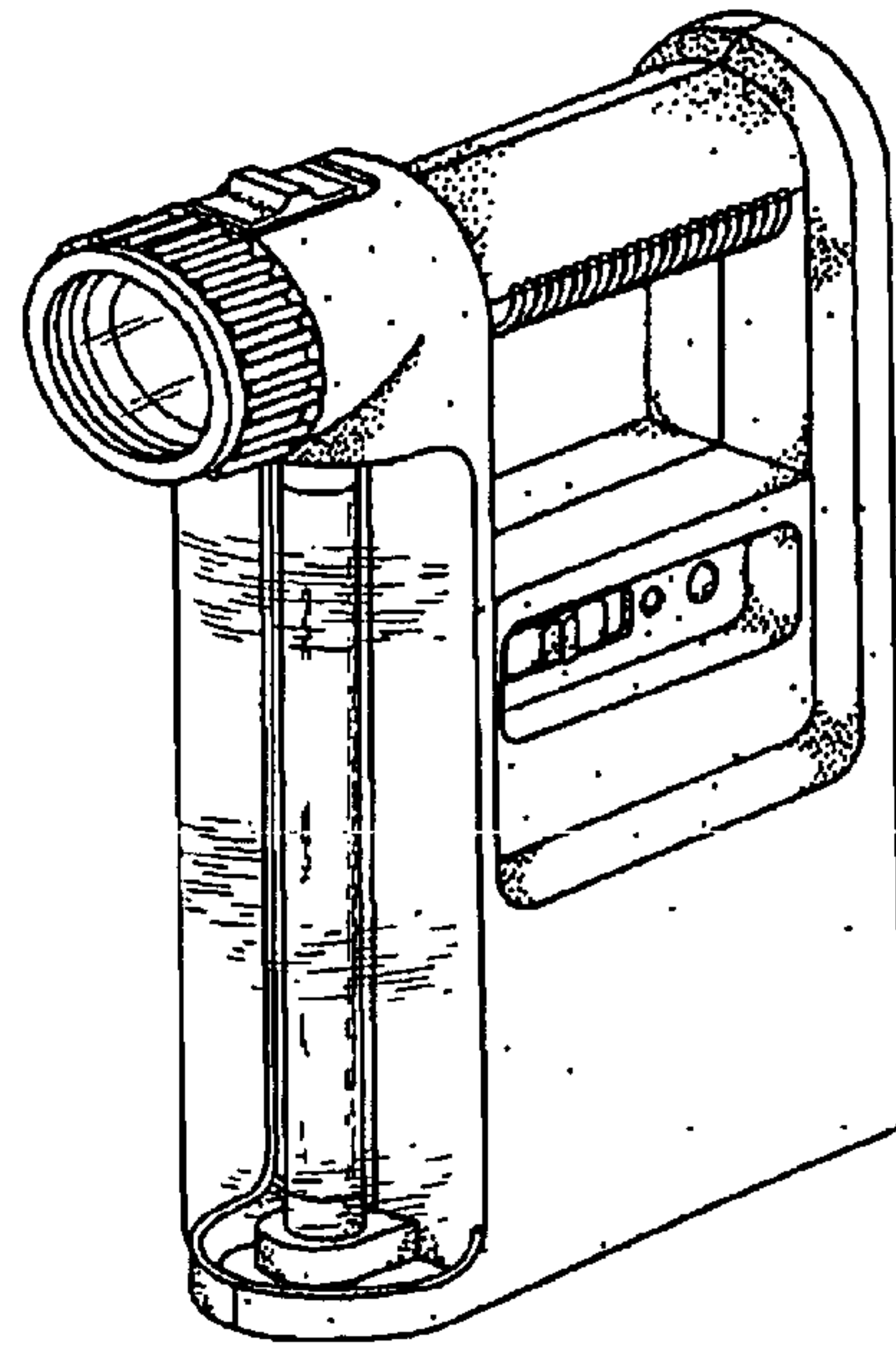


FIG. 10

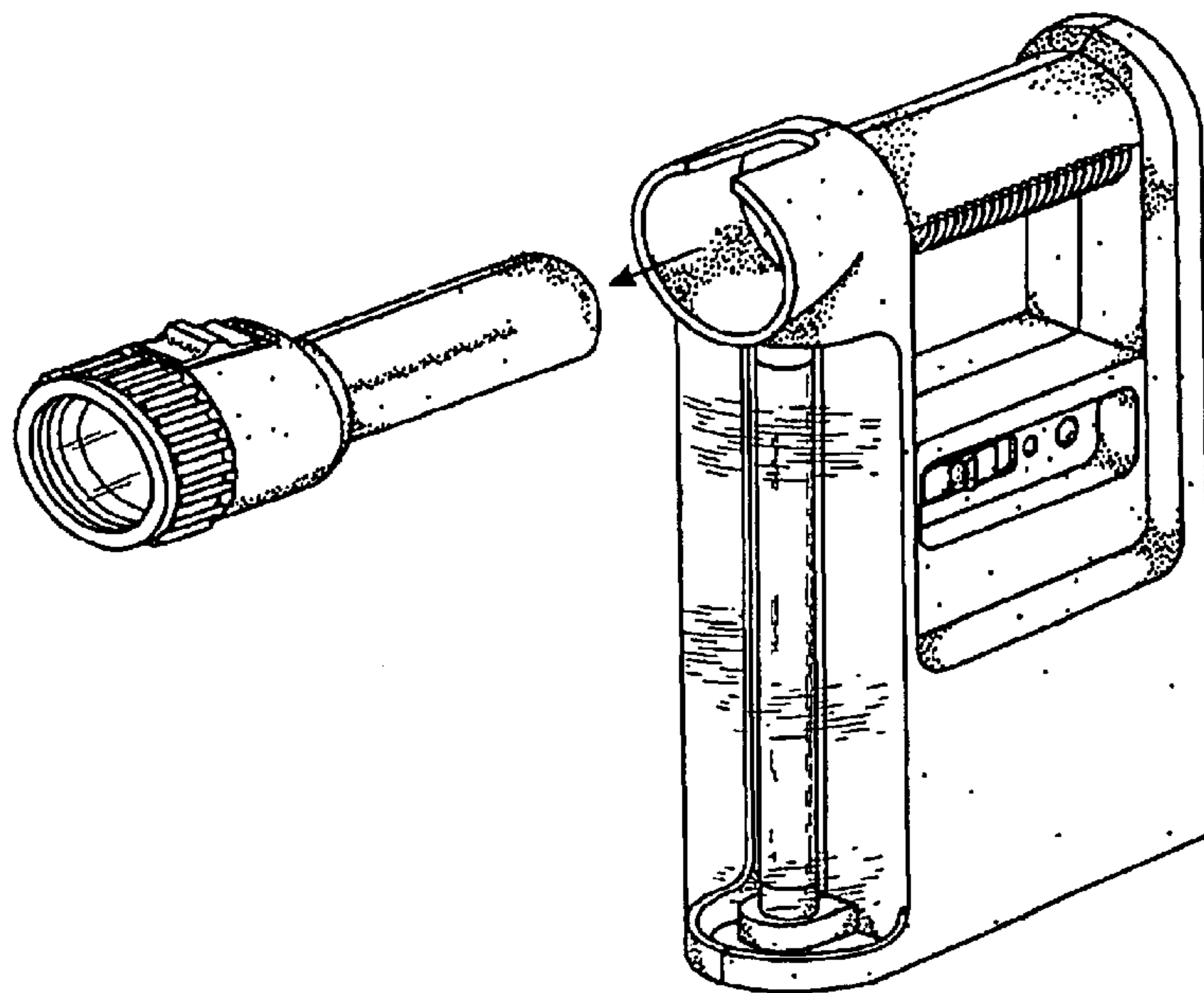


FIG. 11