



US00D491679S

(12) **United States Design Patent**
Lau

(10) **Patent No.:** **US D491,679 S**

(45) **Date of Patent:** **** Jun. 15, 2004**

(54) **FLASHLIGHT**

(75) **Inventor:** **Fermi Lau, Kowloon (CN)**

(73) **Assignee:** **Foundton Company Limited, Kowloon (CN)**

(**) **Term:** **14 Years**

(21) **Appl. No.:** **29/189,397**

(22) **Filed:** **Sep. 3, 2003**

(30) **Foreign Application Priority Data**

Mar. 3, 2003 (HK) 0310332

(51) **LOC (7) Cl.** **26-02**

(52) **U.S. Cl.** **D26/37**

(58) **Field of Search** D26/37-50; 362/157,
362/158, 171-173, 183-208

(56) **References Cited**

U.S. PATENT DOCUMENTS

D421,657 S * 3/2000 Siebert D26/37

D455,510 S * 4/2002 Galli D26/37

D483,135 S * 12/2003 Meoli D26/37

D483,136 S * 12/2003 Poon D26/37

* cited by examiner

Primary Examiner—Marcus A. Jackson

(74) *Attorney, Agent, or Firm*—Alix, Yale & Ristas, LLP

(57) **CLAIM**

The ornamental design for a flashlight, as shown and described.

DESCRIPTION

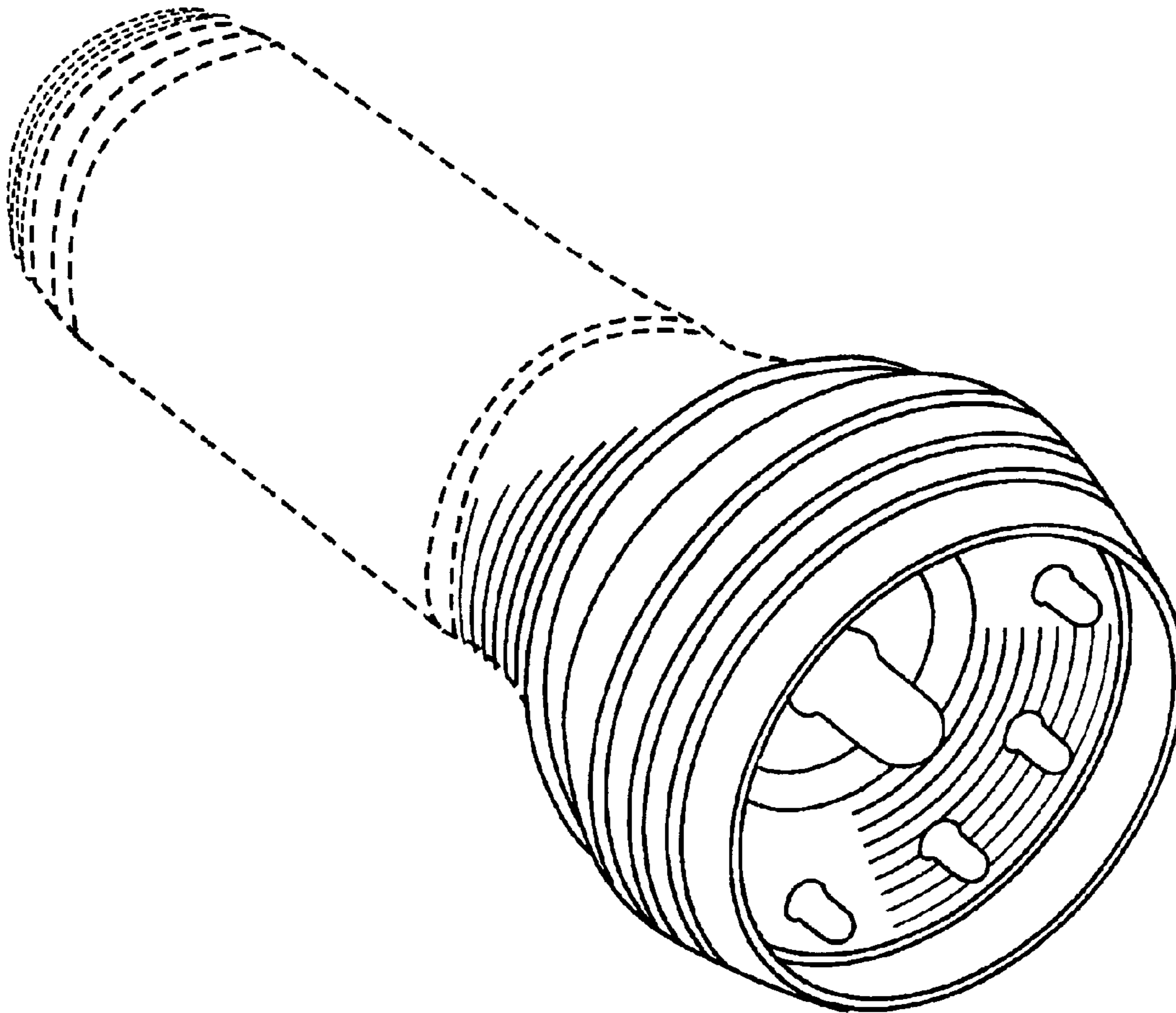
FIG. 1 is a perspective view of a flashlight showing my new design, with the broken line showing for illustrative purposes only and forming no part of the claimed design;

FIG. 2 is a front elevational view thereof;

FIG. 3 is a perspective view thereof wherein the cap is in an open position; and,

FIG. 4 is a side elevational view thereof, the opposite side being substantially identical.

1 Claim, 4 Drawing Sheets



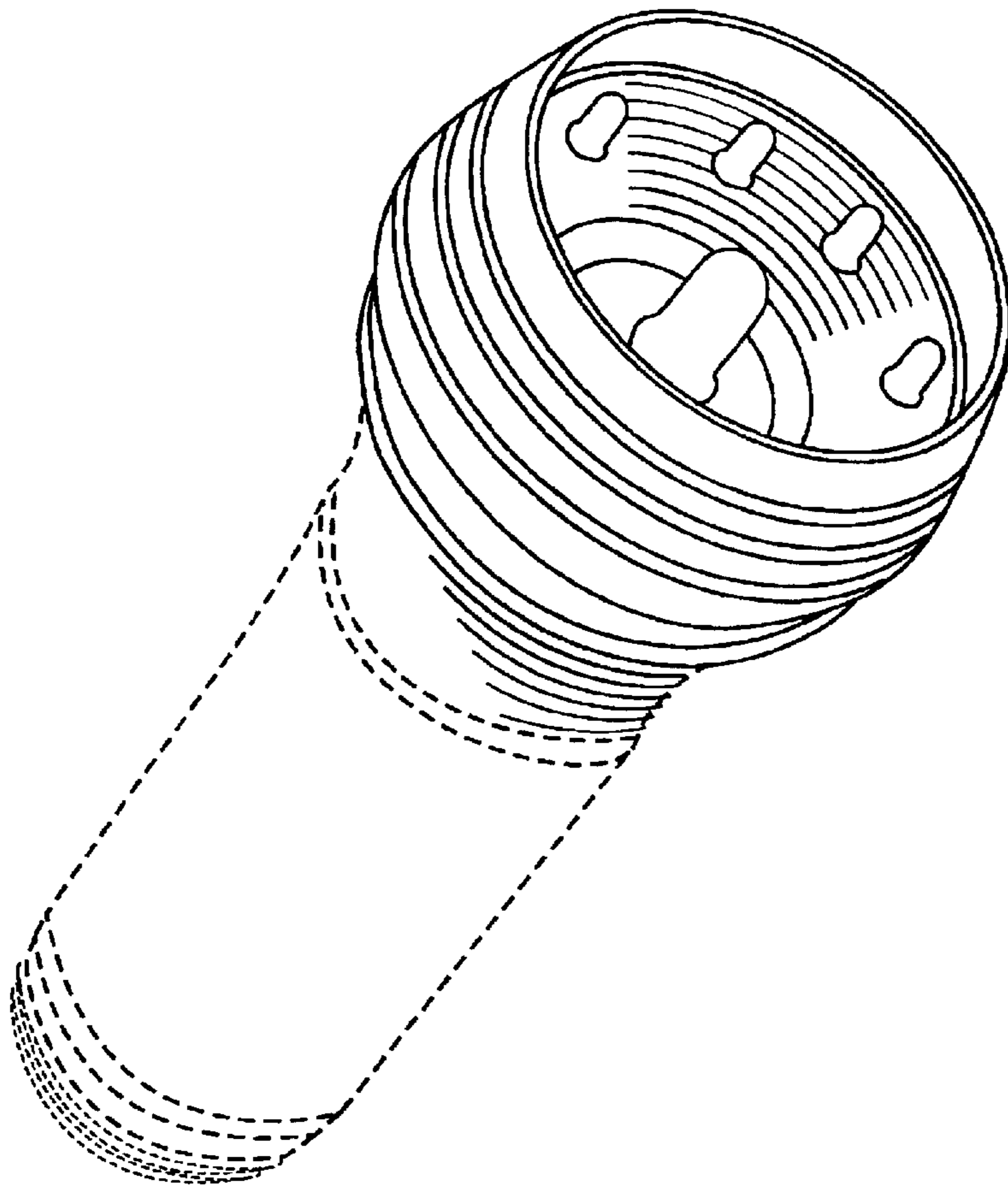


FIGURE 1

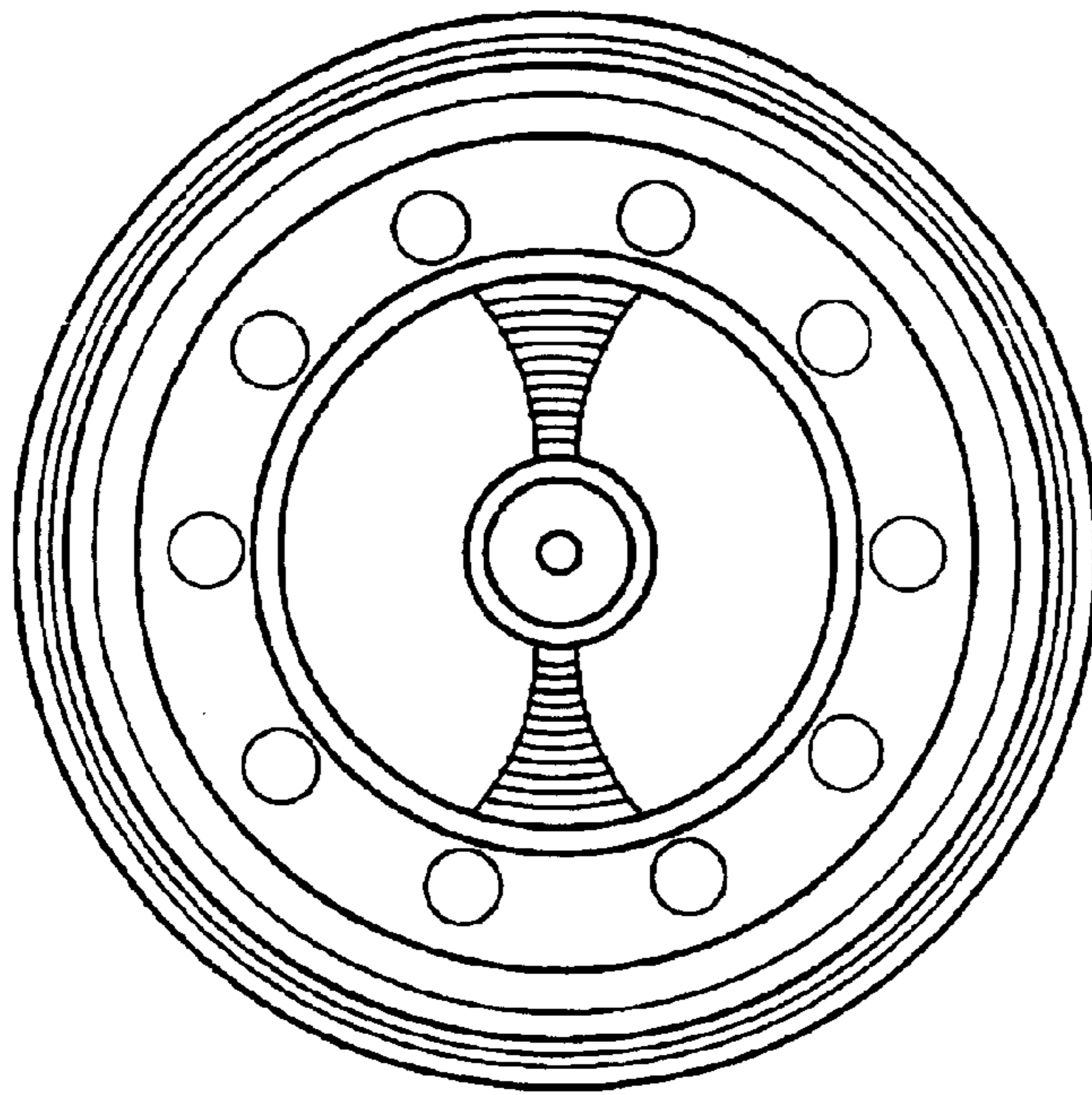


FIGURE 2

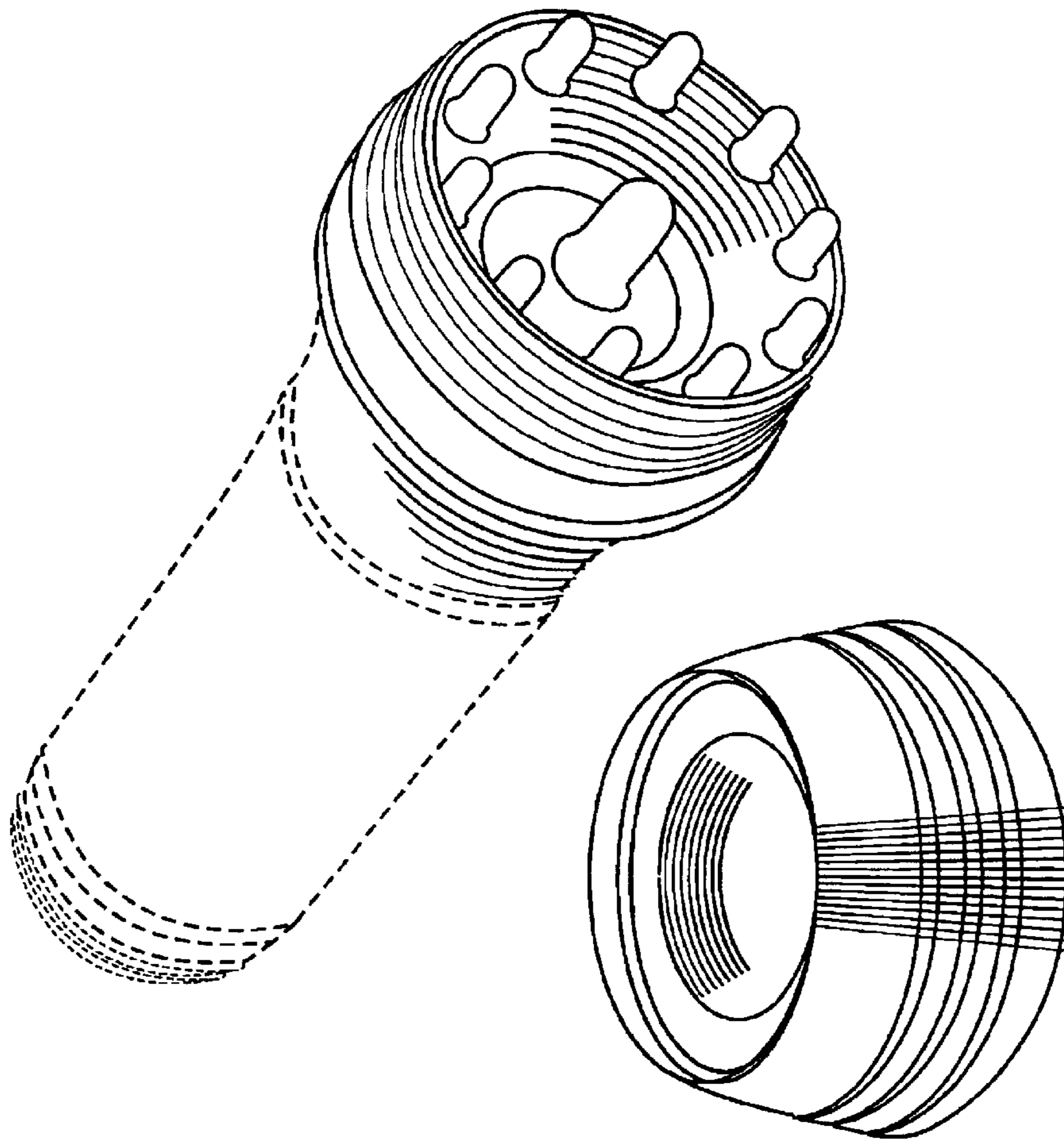


FIGURE 3

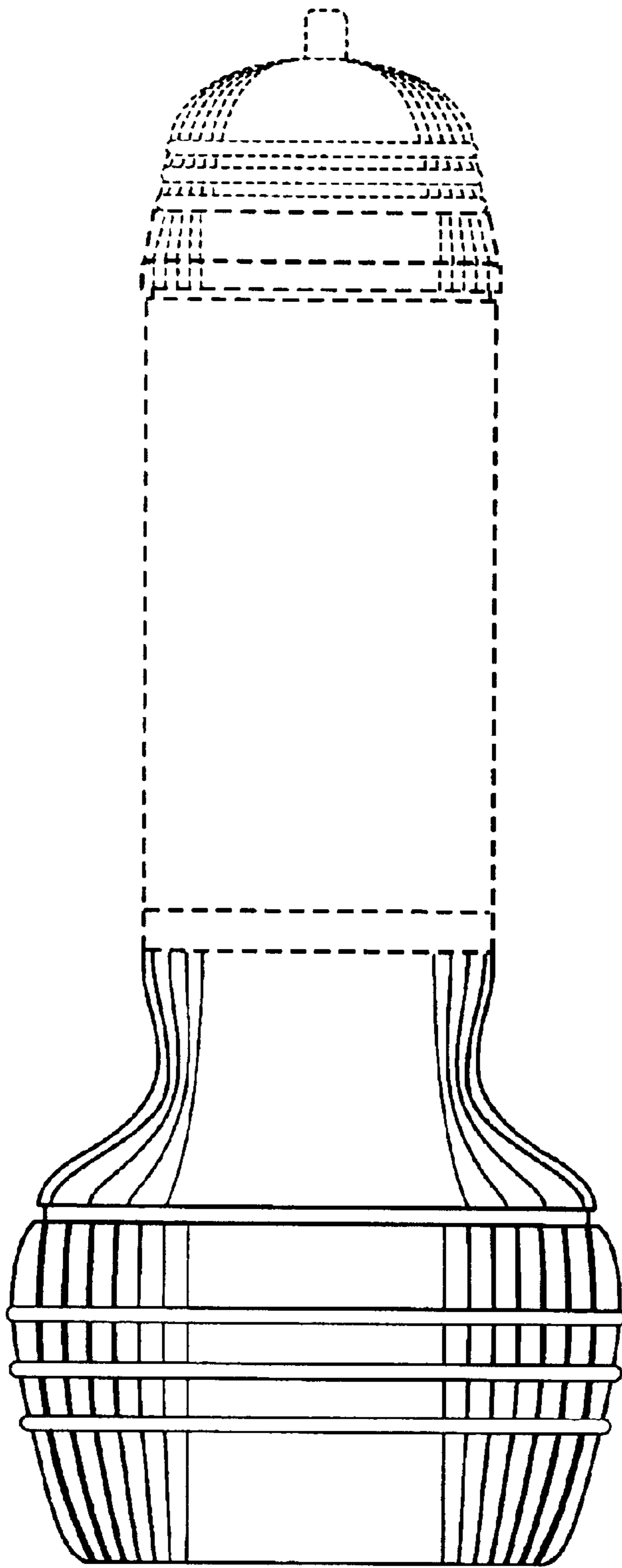


FIGURE 4