



US00D491673S

(12) **United States Design Patent**  
**Andrews**

(10) **Patent No.:** **US D491,673 S**

(45) **Date of Patent:** **\*\* Jun. 15, 2004**

(54) **WINDOW WELL COVER**

(76) Inventor: **William H. Andrews**, 167 Moore Ave.,  
Freeport, NY (US) 11520

(\*\*) Term: **14 Years**

(21) Appl. No.: **29/180,734**

(22) Filed: **Apr. 28, 2003**

(51) **LOC (7) Cl.** ..... **25-02**

(52) **U.S. Cl.** ..... **D25/54**

(58) **Field of Search** ..... **D25/54; 52/107**

(56) **References Cited**

**U.S. PATENT DOCUMENTS**

3,085,489	A	4/1963	Ivy	
3,123,868	A	3/1964	Gust	
D201,071	S	5/1965	Faubion	
3,232,014	A	2/1966	Frost	
3,262,487	A	7/1966	Gustafson et al.	
D240,755	S	* 7/1976	Clark et al. ....	D25/54
4,112,919	A	9/1978	Davis	
4,212,288	A	7/1980	Lipinski	
D262,492	S	12/1981	Mackes	
D265,591	S	7/1982	Kearnes	
D266,105	S	9/1982	Arrington	
4,903,455	A	2/1990	Veazey	
D361,630	S	8/1995	Guernsey	
5,752,348	A	5/1998	Pearson	
D403,436	S	12/1998	Gregory	

**OTHER PUBLICATIONS**

Model 2-S Window Bubble, catalog sheet Dilworth Manufacturing Company, Creators of the Window Bubble™, (2002).

Model EC & EAC Window Bubble, catalog sheet Dilworth Manufacturing Company, Creators of the Window Bubble™, (2002).

Coverwell® Custom Window Well Covers by Comfort Concepts, Inc., www.coverwell.com (2003).

MacCourt Products, Inc. website catalogue http://maccourt.com, Window Well Covers (2000–2003).

\* cited by examiner

*Primary Examiner*—Doris Clark

(74) *Attorney, Agent, or Firm*—Hoffmann & Baron, LLP

(57) **CLAIM**

The ornamental design for a window well cover, as shown and described.

**DESCRIPTION**

FIG. 1 is a top perspective view of window well cover showing my claimed design;

FIG. 2 is an elevational view of the right side thereof with the left side being a mirror image;

FIG. 3 is a top plan view thereof;

FIG. 4 is a front elevational view thereof;

FIG. 5 is a rear elevational view thereof; and

FIG. 6 is a top perspective view of an alternative embodiment of a window well cover showing my claimed design;

FIG. 7 is an elevational view of the right side thereof with the left side being a mirror image;

FIG. 8 is a top plan view thereof;

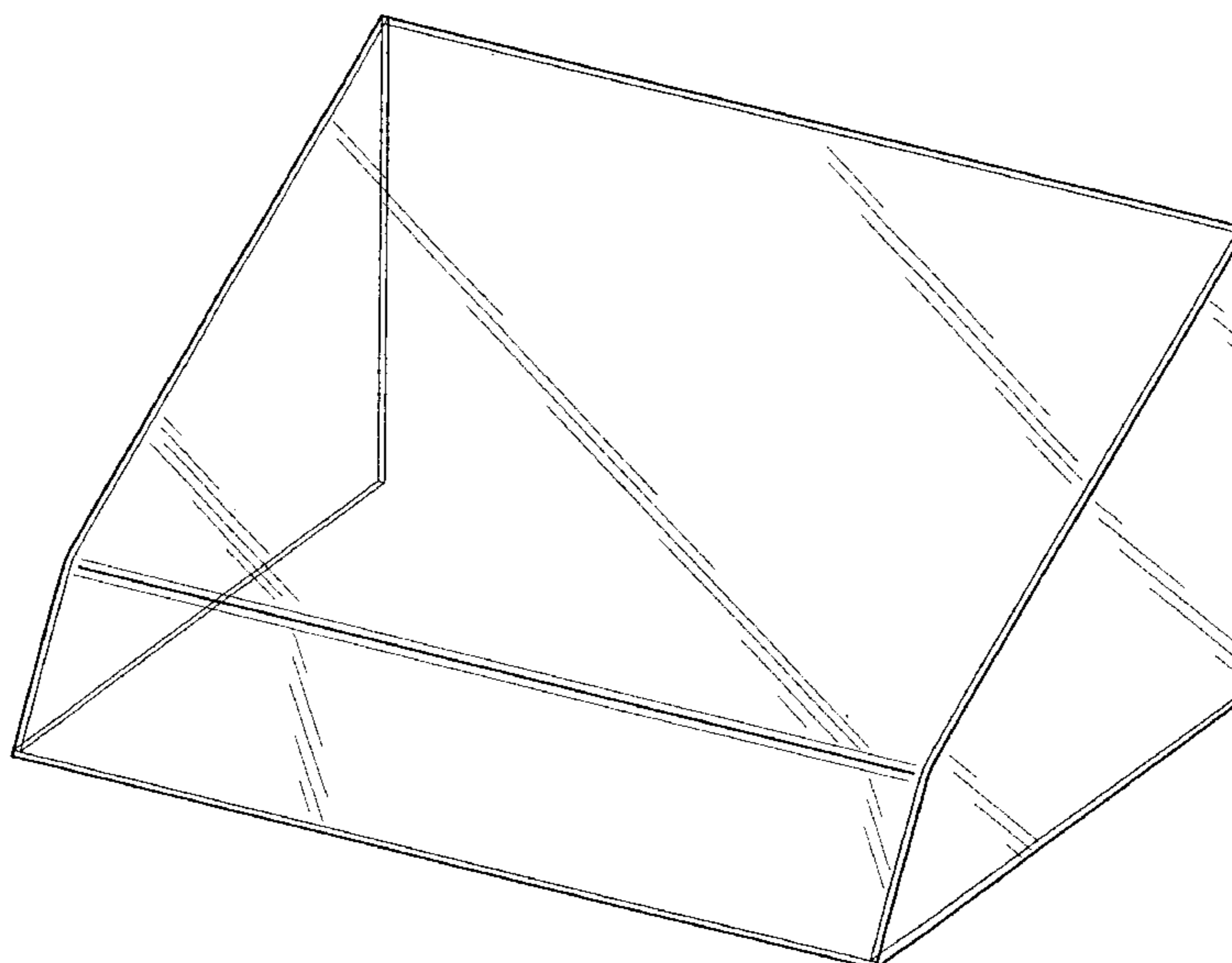
FIG. 9 is a front elevational view thereof;

FIG. 10 is a rear elevational view thereof; and,

FIG. 11 is top perspective view thereof showing broken-lines to indicate that the window well cover of the present invention can be formed in a range of widths to accommodate different size window wells.

The style of surface shading and degree of transparency or opaqueness forms no part of the claimed invention.

**1 Claim, 11 Drawing Sheets**



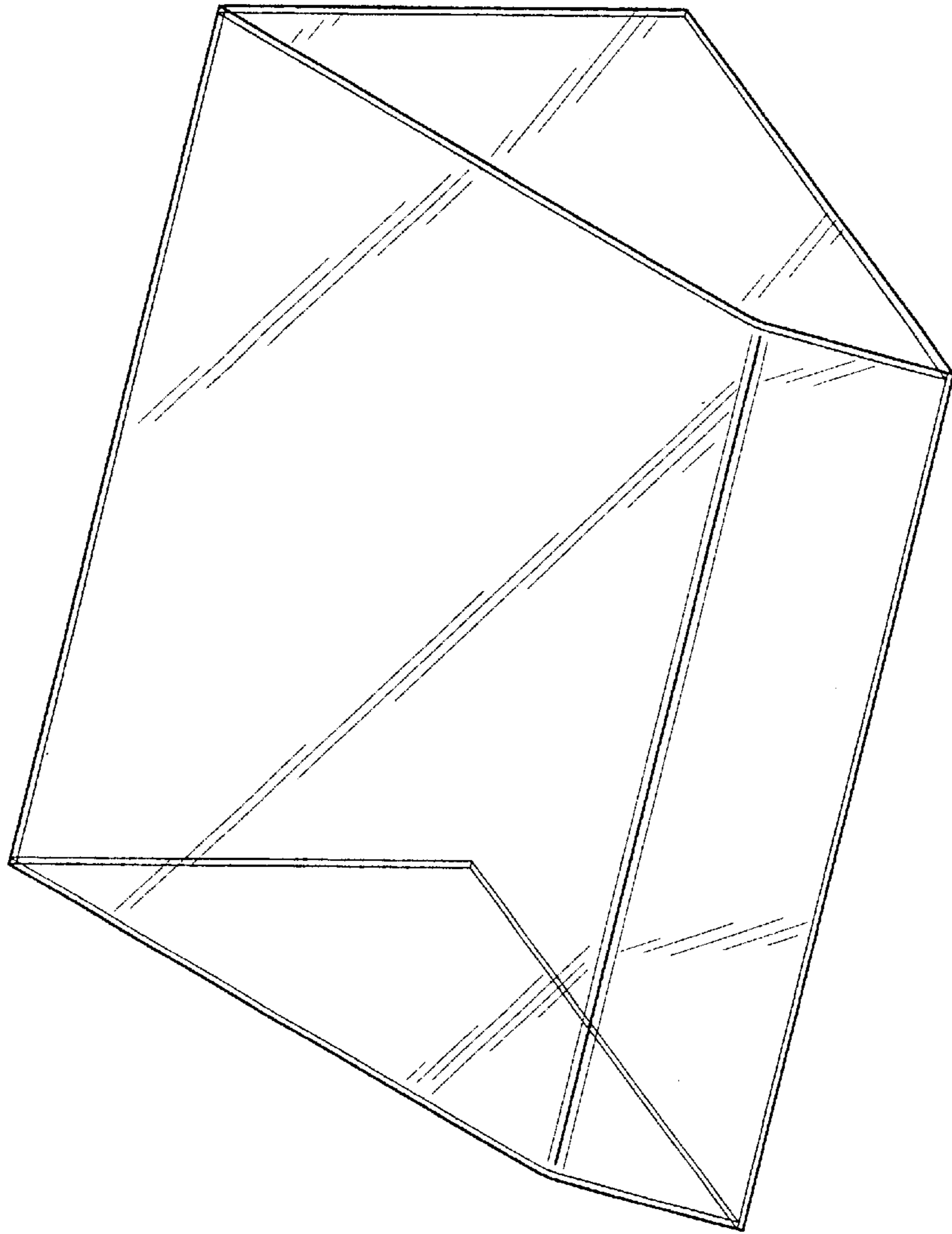


FIG. 1

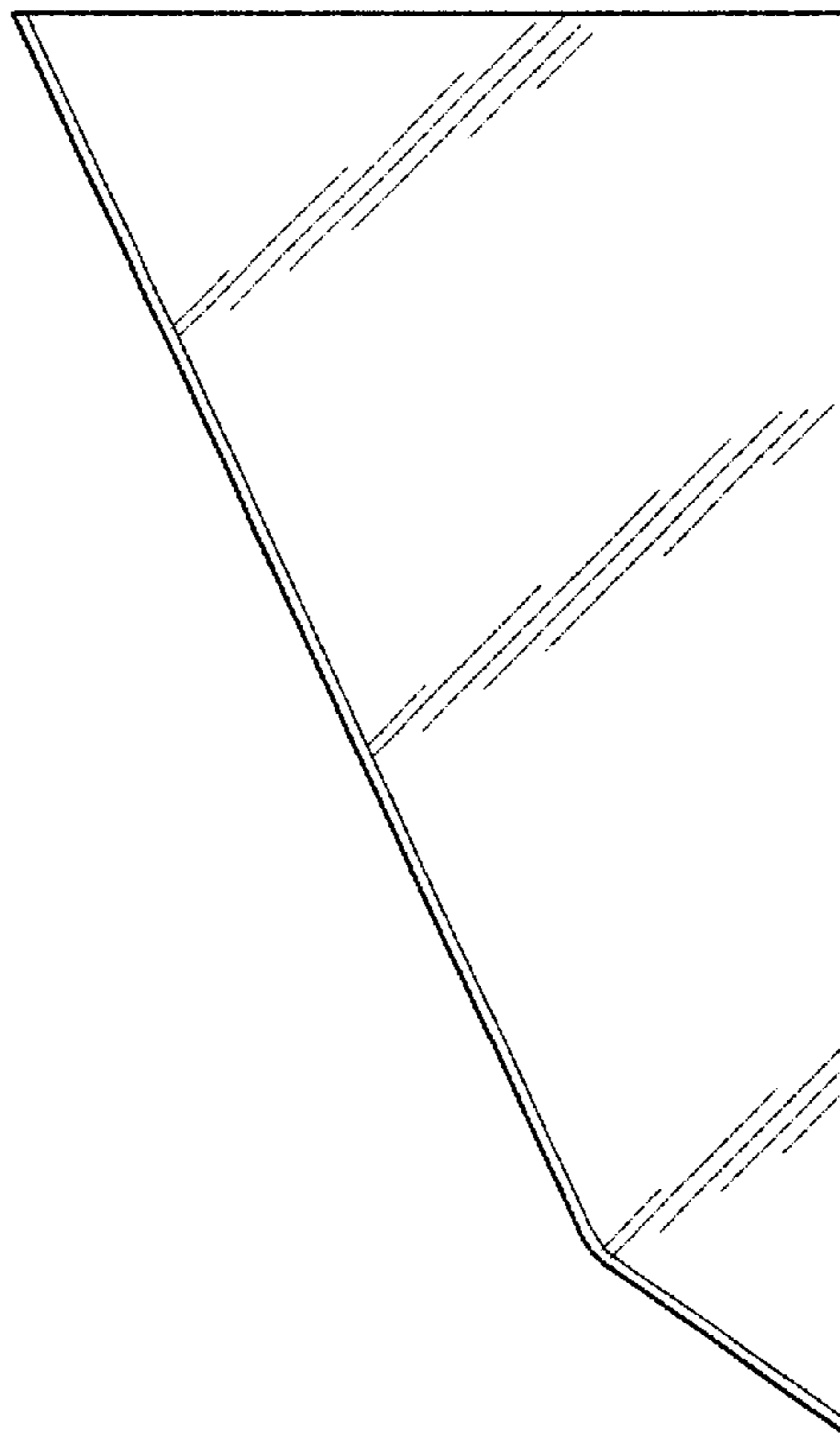


FIG. 2

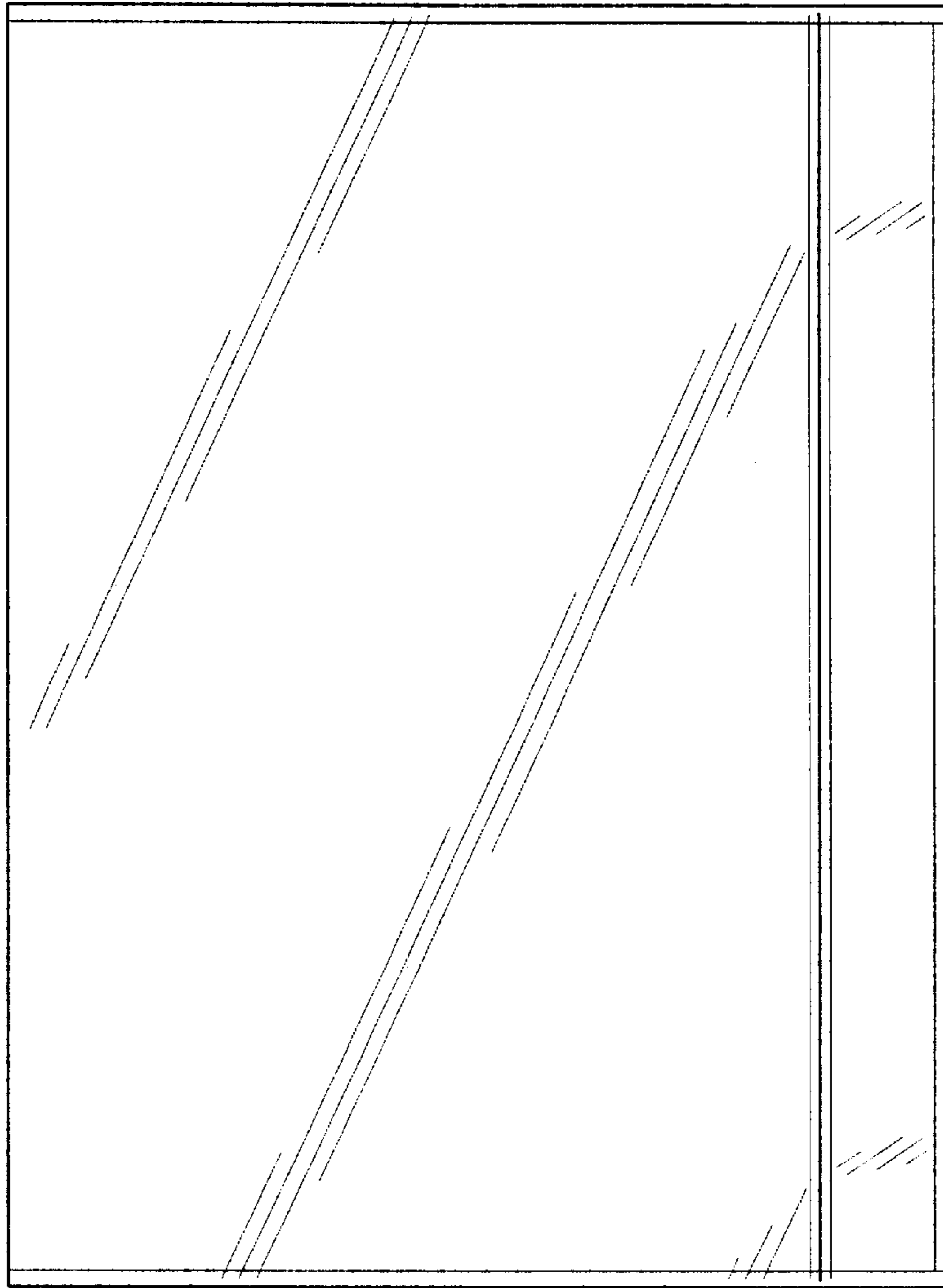


FIG. 3

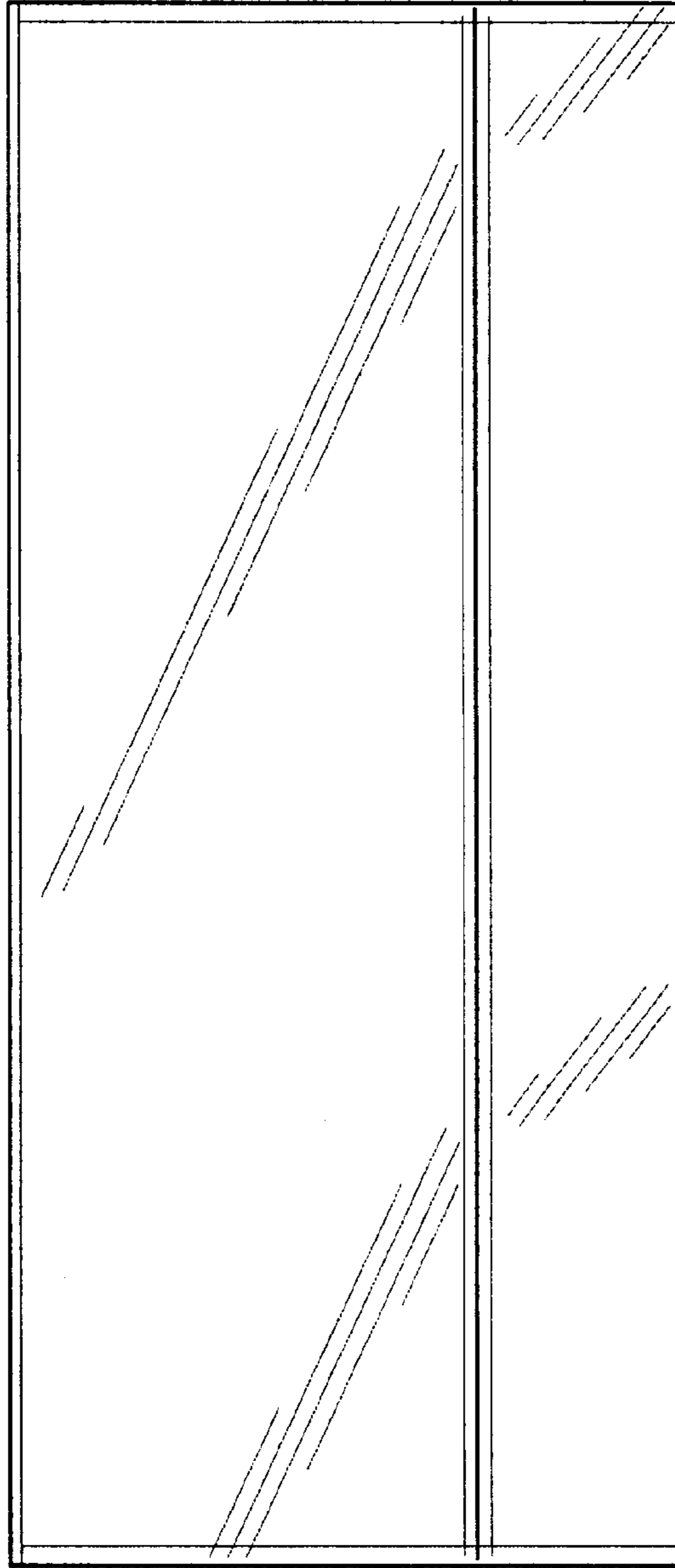


FIG. 4

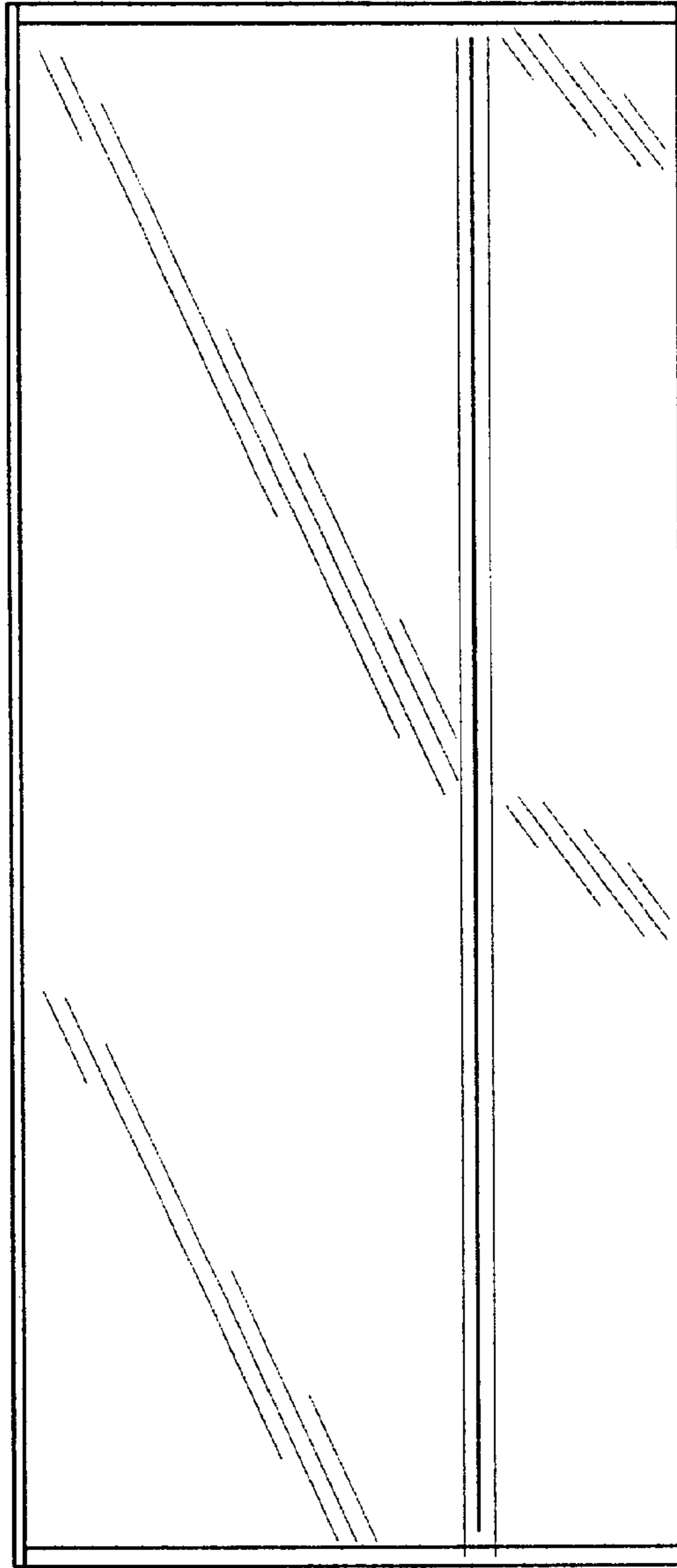


FIG. 5

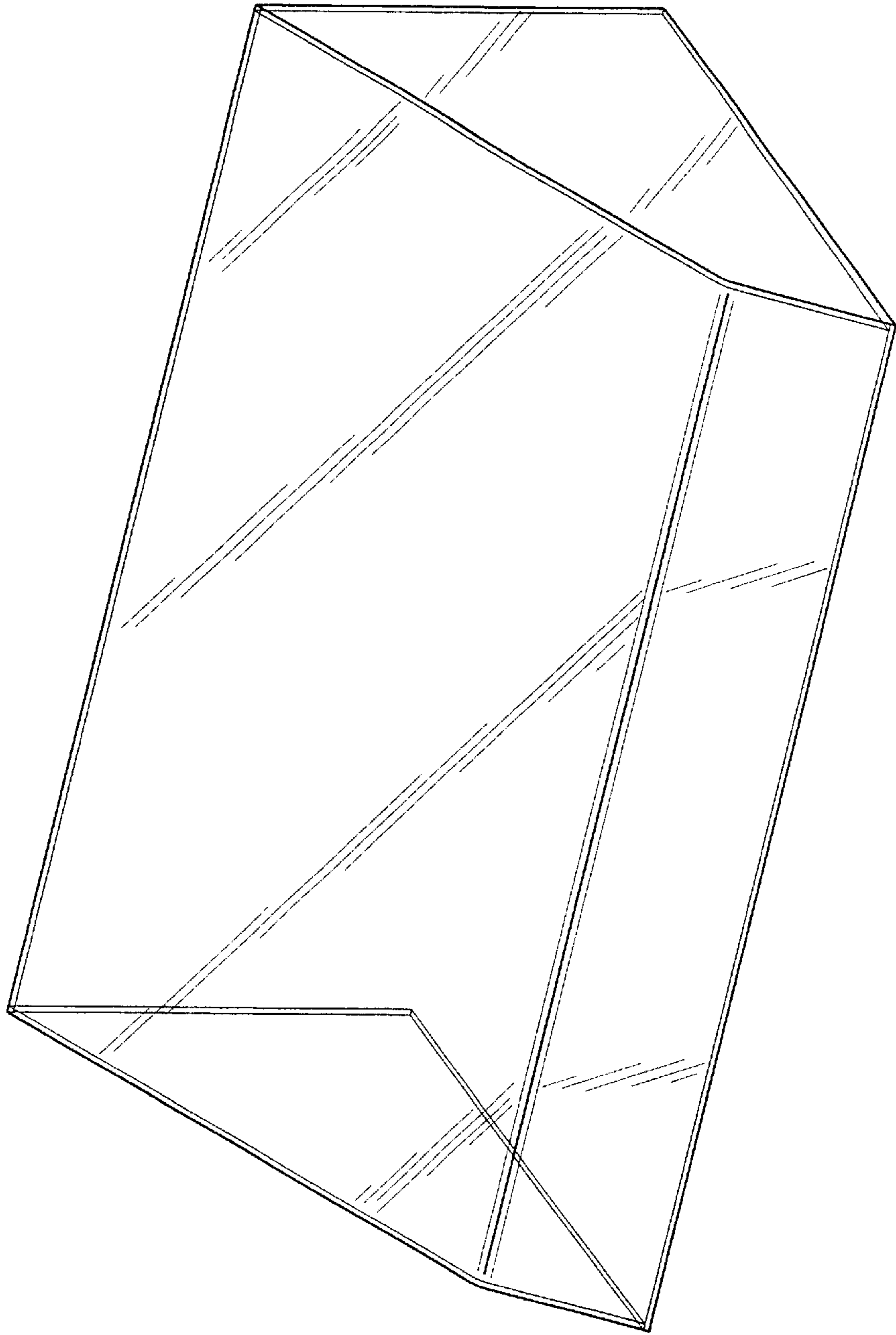


FIG. 6

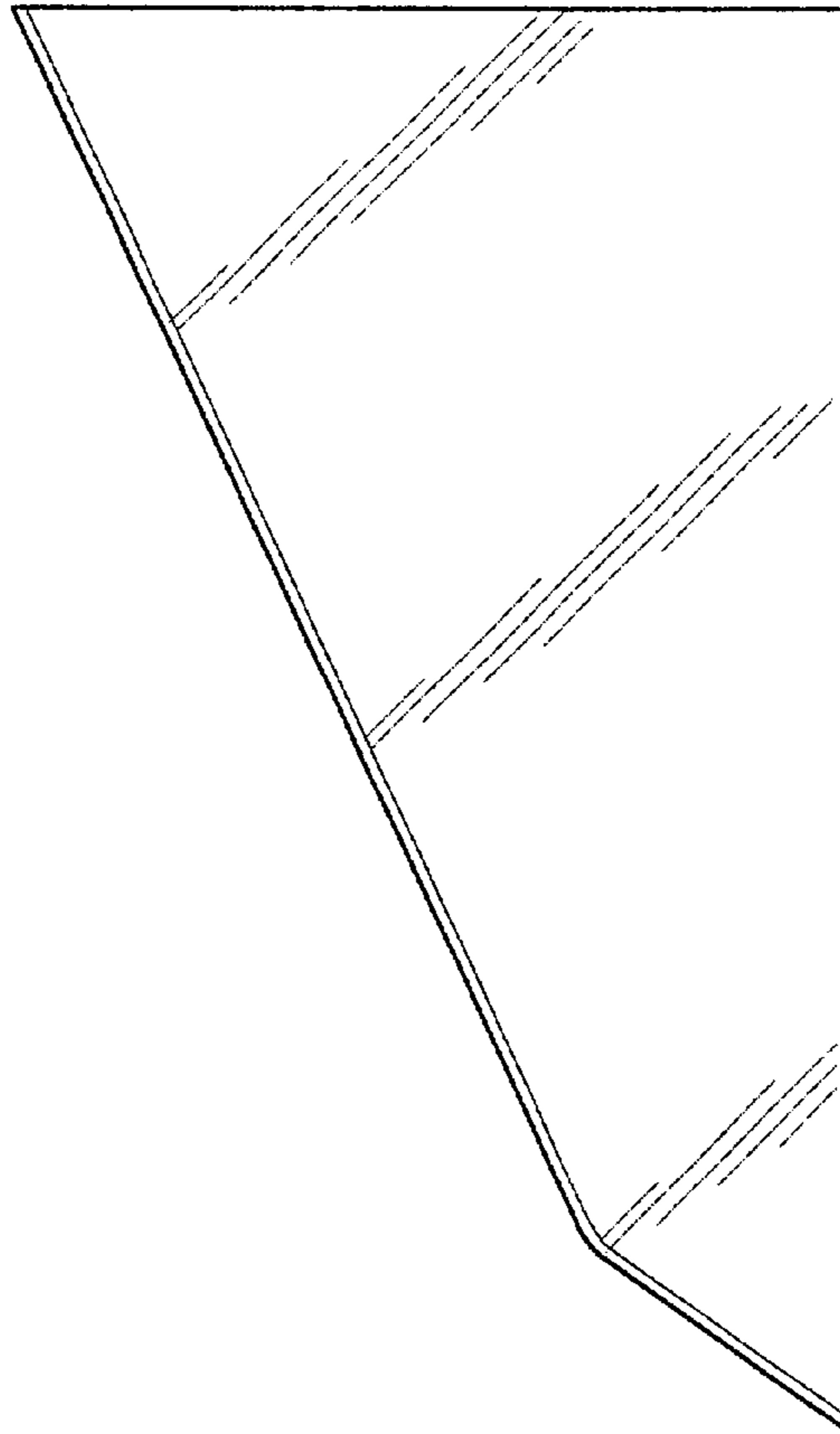


FIG. 7



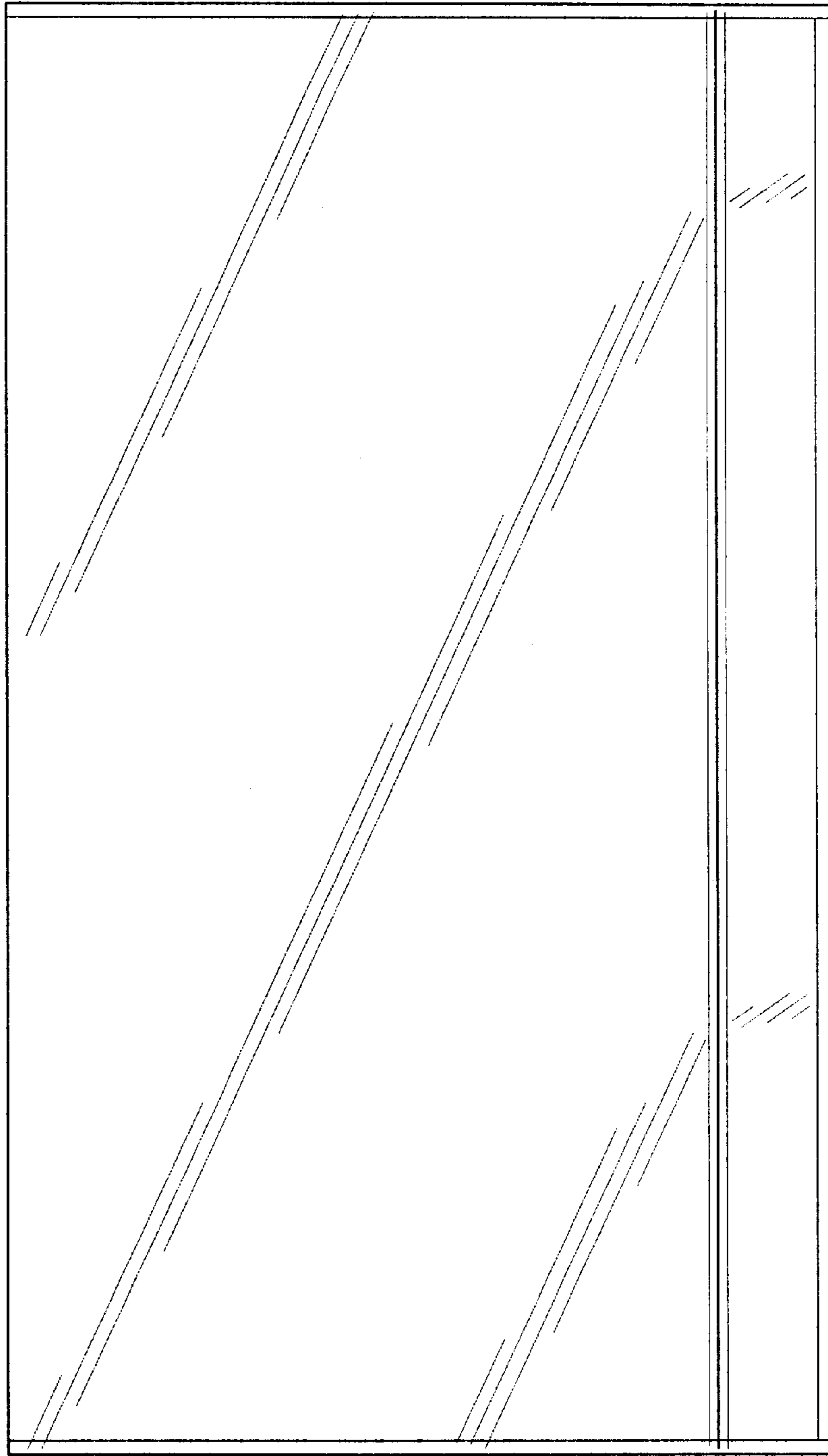


FIG. 8

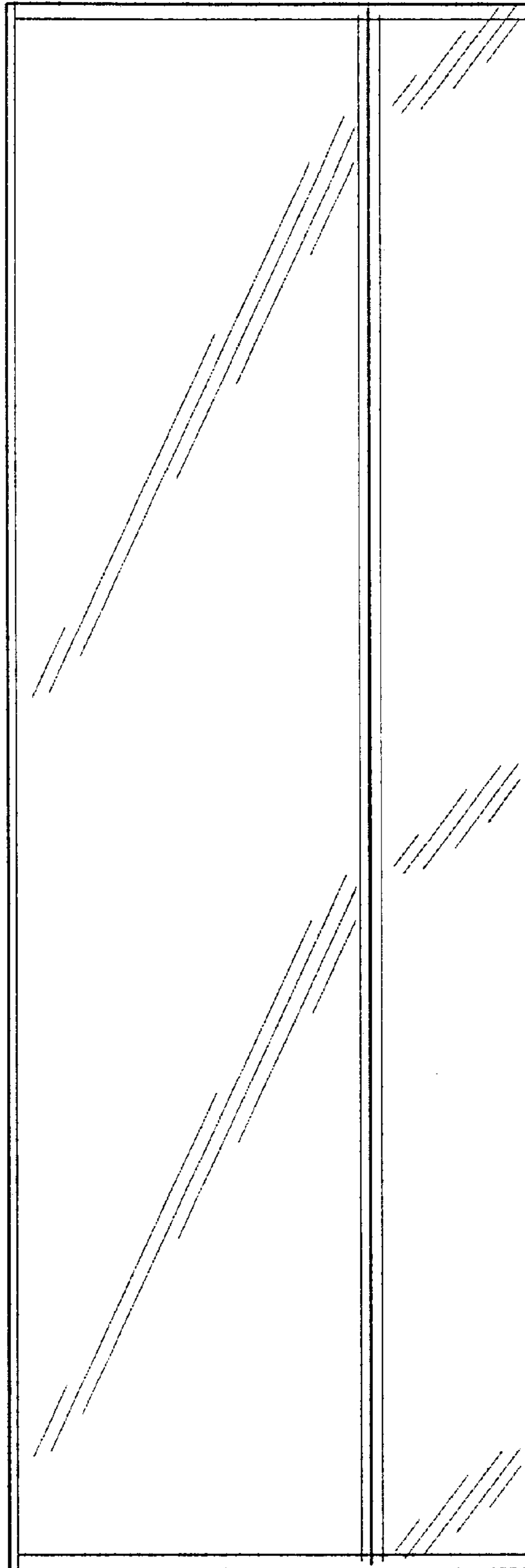


FIG. 9

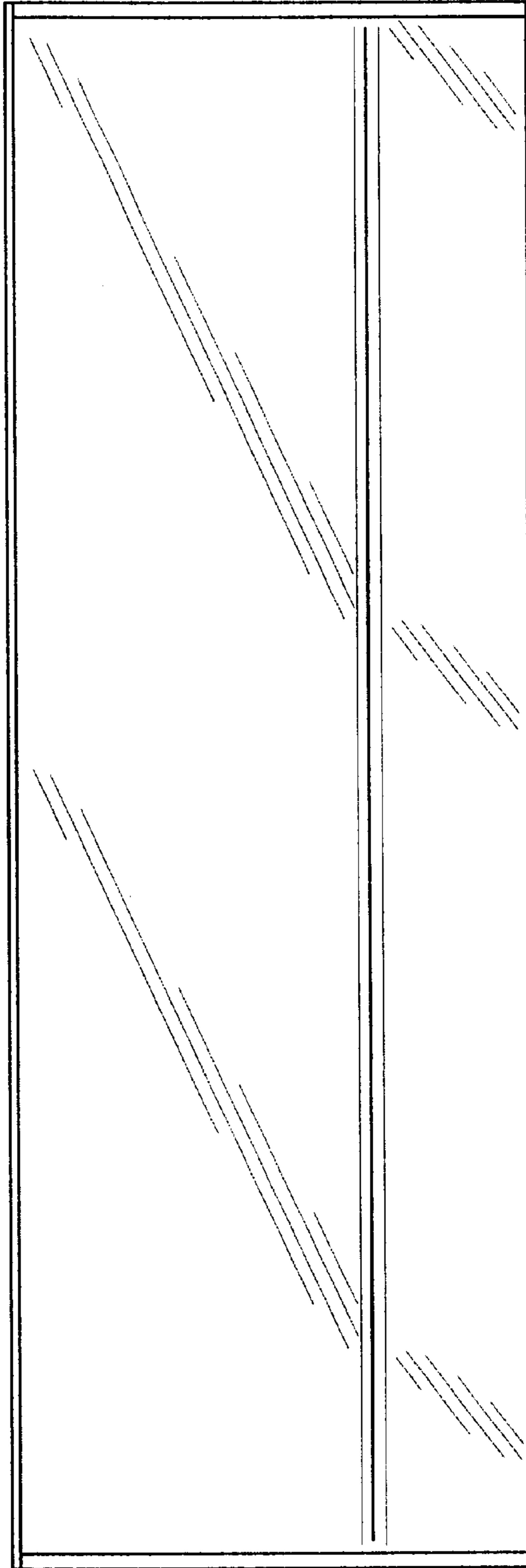


FIG. 10

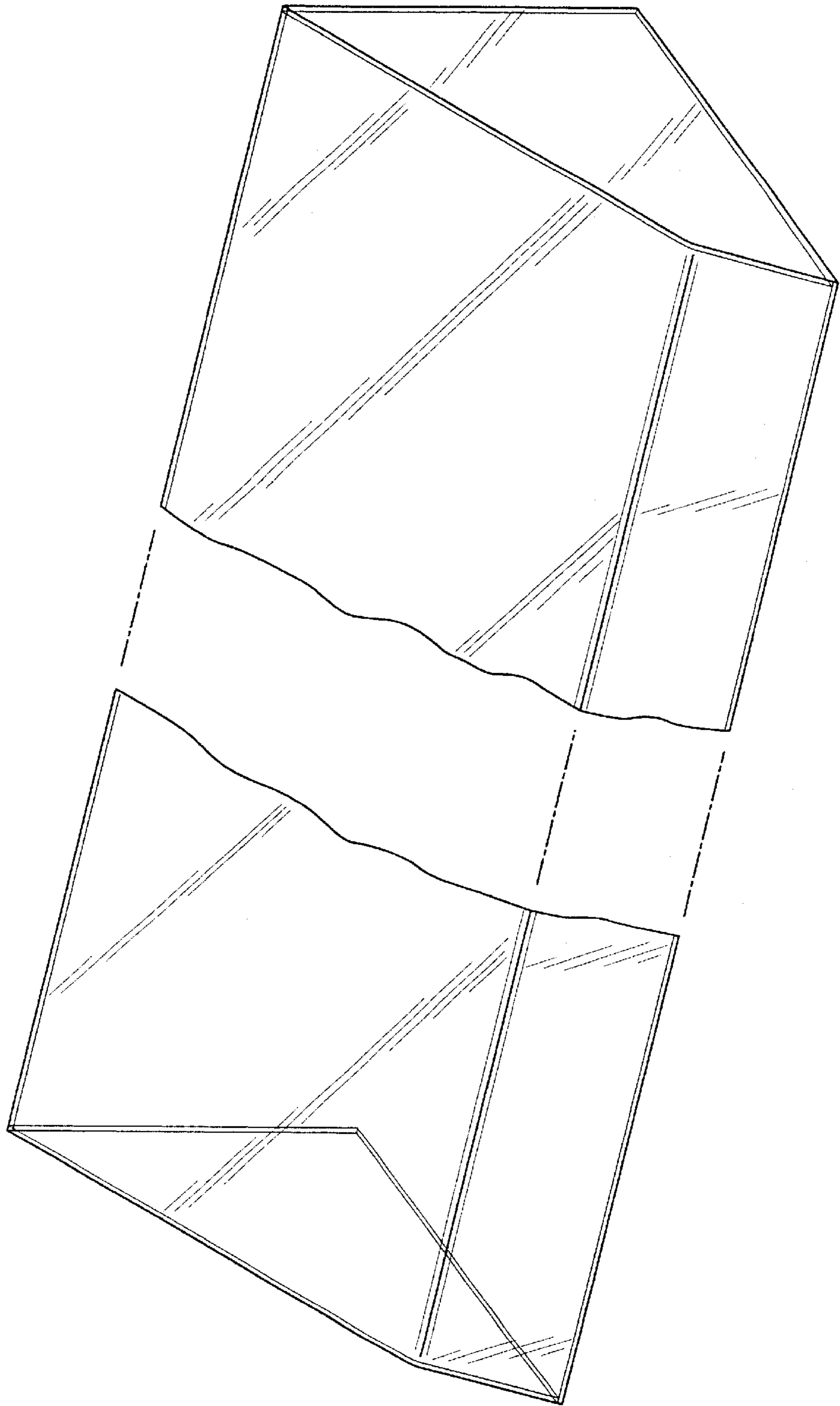


FIG. 11