



US00D491671S

(12) **United States Design Patent**  
**Kim**

(10) **Patent No.:** **US D491,671 S**

(45) **Date of Patent:** **\*\* Jun. 15, 2004**

(54) **MASSAGER BALLS**

(76) **Inventor:** **Hakjin Kim**, 610 Ridgeview Ct.,  
Diamond Bar, CA (US) 91765

(\*\*) **Term:** **14 Years**

(21) **Appl. No.:** **29/185,756**

(22) **Filed:** **Jul. 2, 2003**

(51) **LOC (7) Cl.** ..... **28-03**

(52) **U.S. Cl.** ..... **D24/211; D24/214**

(58) **Field of Search** ..... D24/200, 211,  
D24/214; 601/118, 128, 131, 134-137

(56) **References Cited**

**U.S. PATENT DOCUMENTS**

2,633,844	A	*	4/1953	Herndon	.....	601/128
3,060,928	A	*	10/1962	Lowe	.....	601/128
4,233,966	A	*	11/1980	Takahashi	.....	601/134
D269,376	S	*	6/1983	Nakao et al.	.....	D24/211
D373,195	S	*	8/1996	Hoff	.....	D24/211

\* cited by examiner

*Primary Examiner*—Stella Reid

(74) *Attorney, Agent, or Firm*—Park & Sutton LLP; John K. Park

(57) **CLAIM**

The ornamental design for a massager balls, as shown and described.

**DESCRIPTION**

FIG. 1 is a perspective view of a massager balls, showing my new design;

FIG. 2 is a top view of FIG. 1;

FIG. 3 is a side view of FIG. 1;

FIG. 4 is a front view of FIG. 1;

FIG. 5 is a perspective view of a second embodiment of the massager balls, showing my new design;

FIG. 6 is a top view of FIG. 5;

FIG. 7 is a side view of FIG. 5; and,

FIG. 8 is a front view of FIG. 5.

The broken line showing is for illustrative purposes only and forms no part of the claimed design.

**1 Claim, 8 Drawing Sheets**

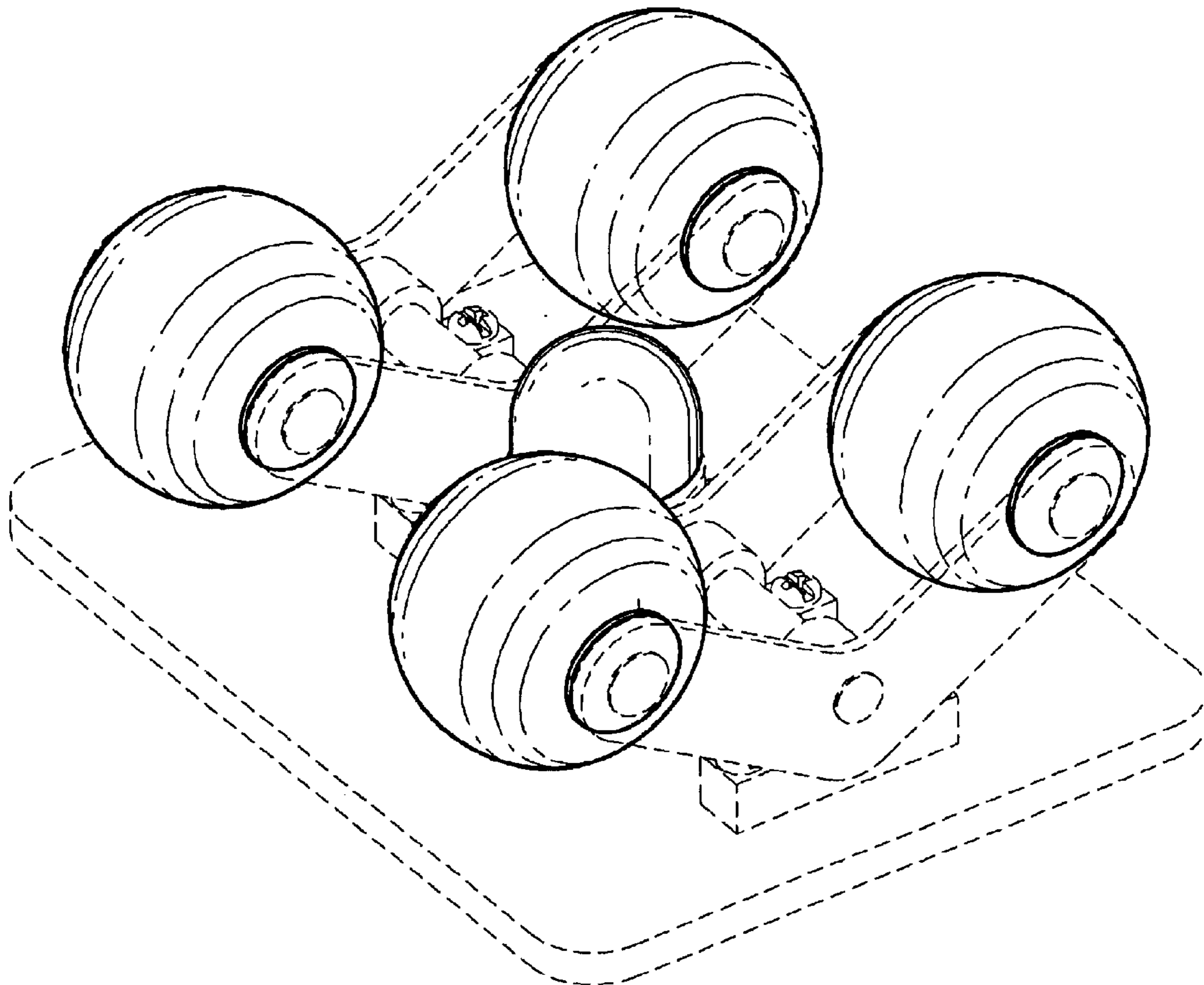
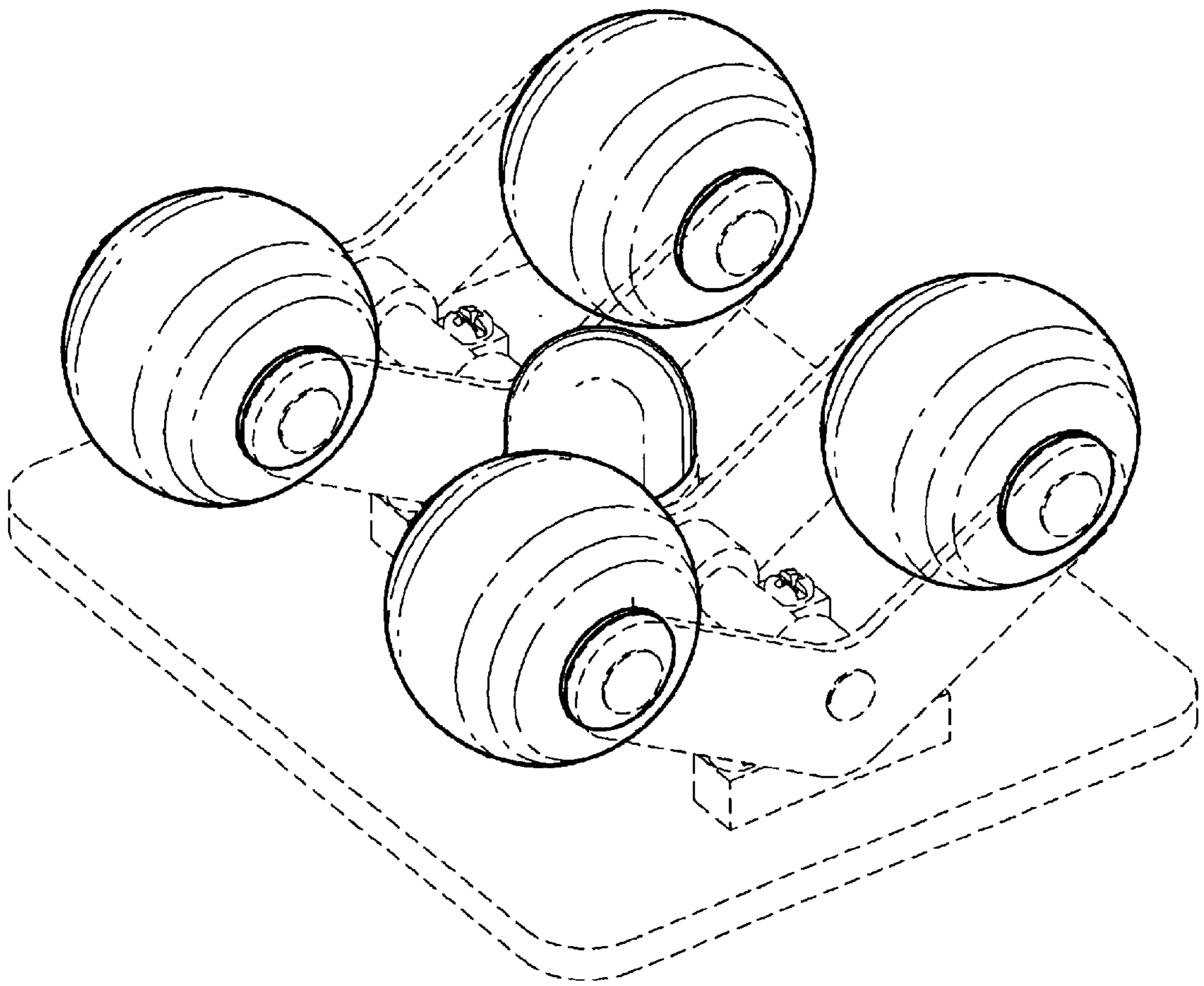


Fig. 1



# Fig. 2

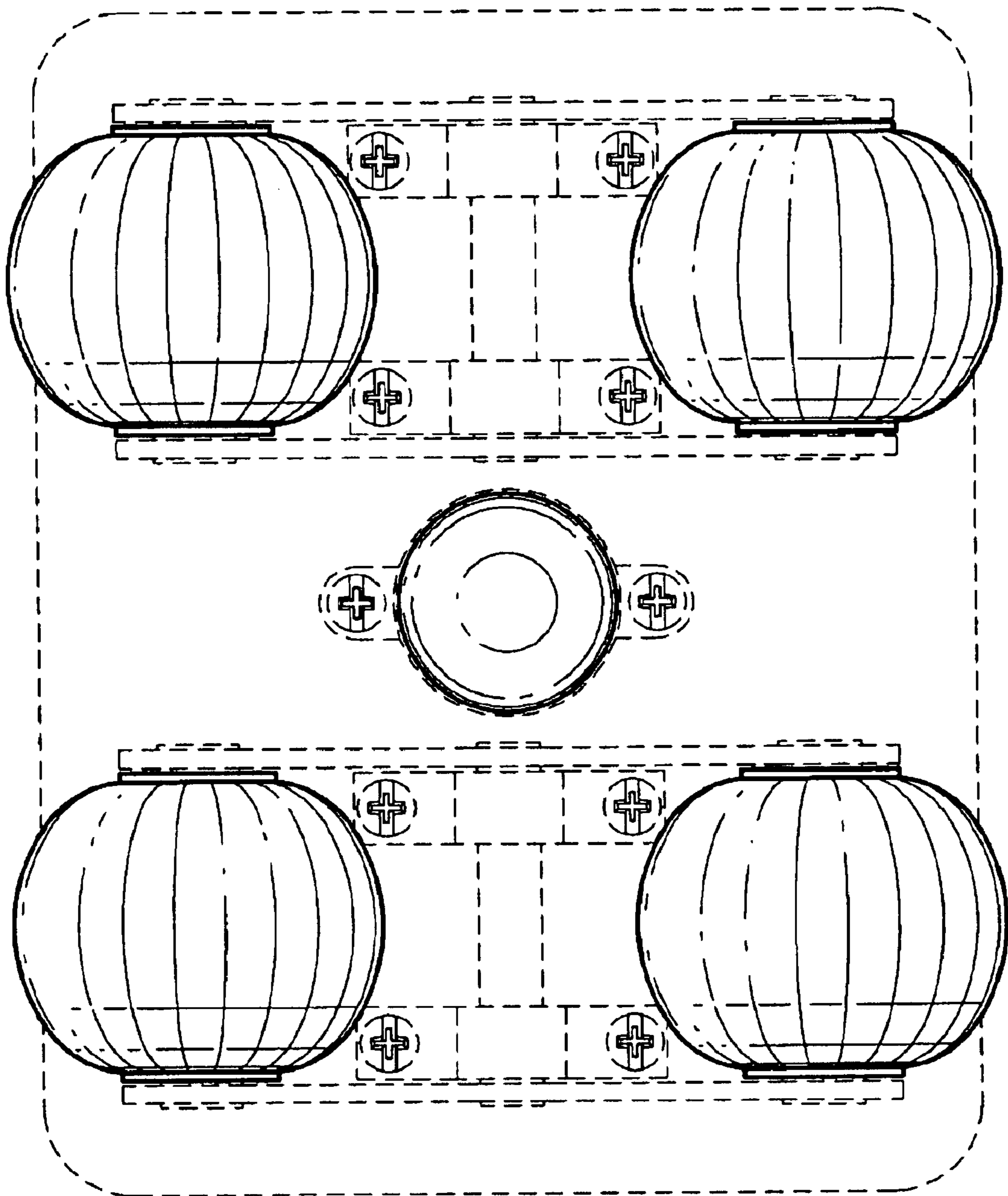


Fig. 3

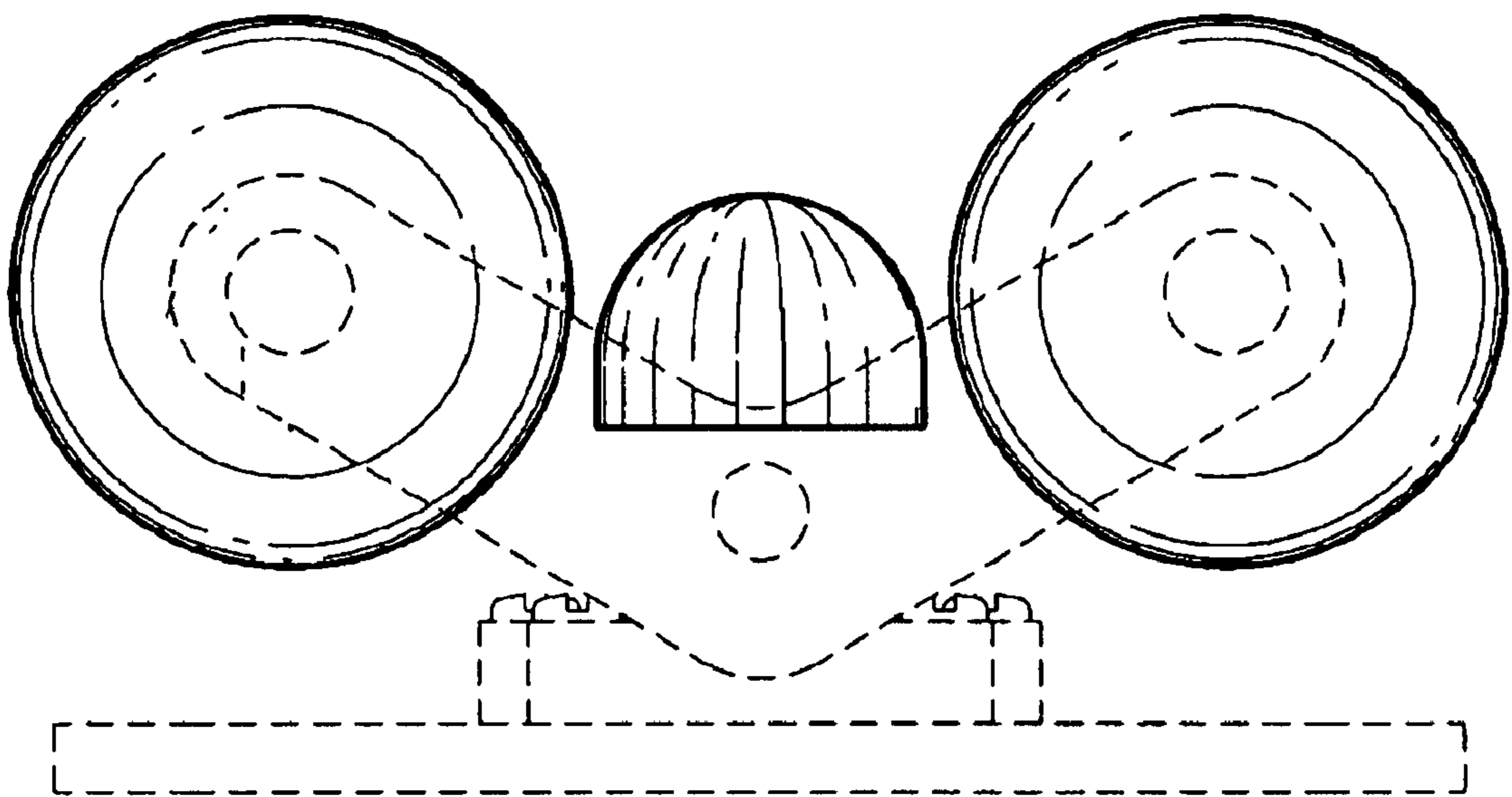


Fig. 4

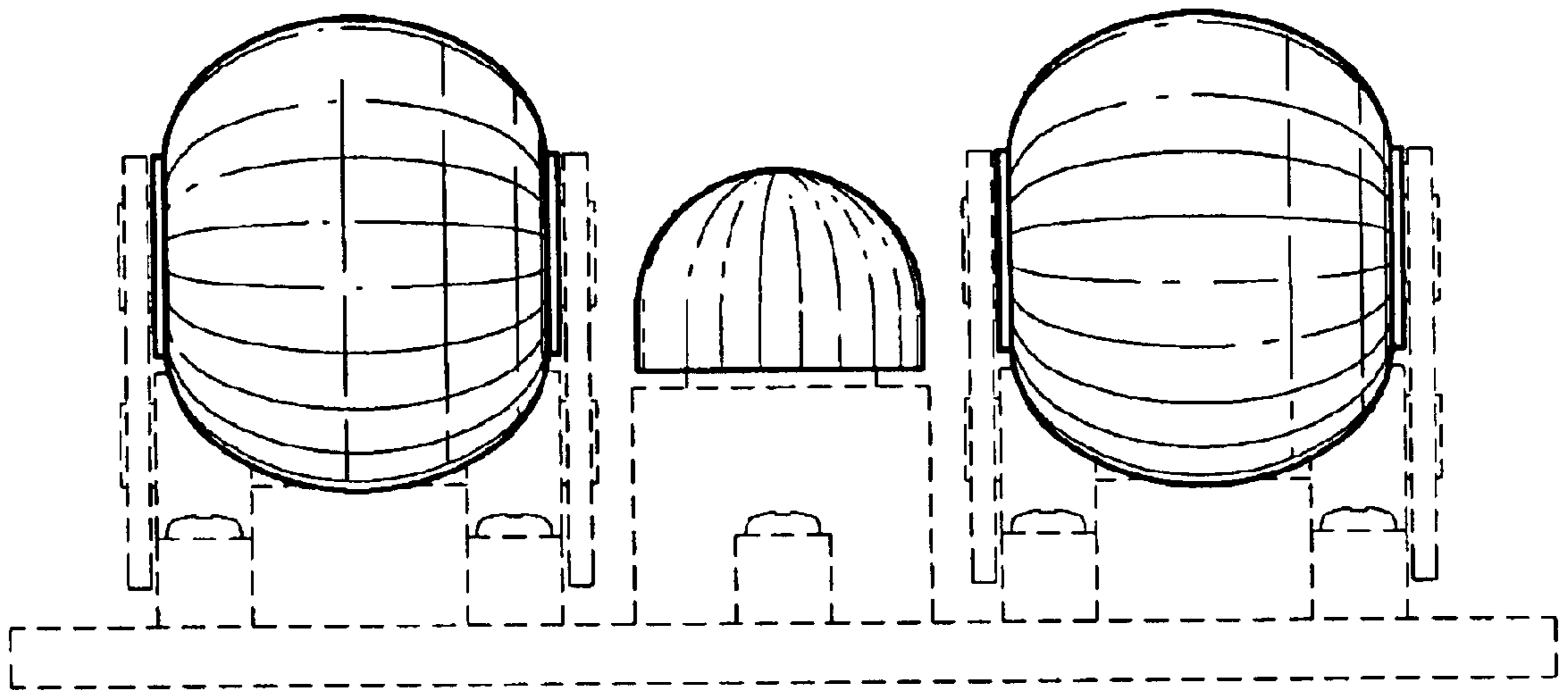
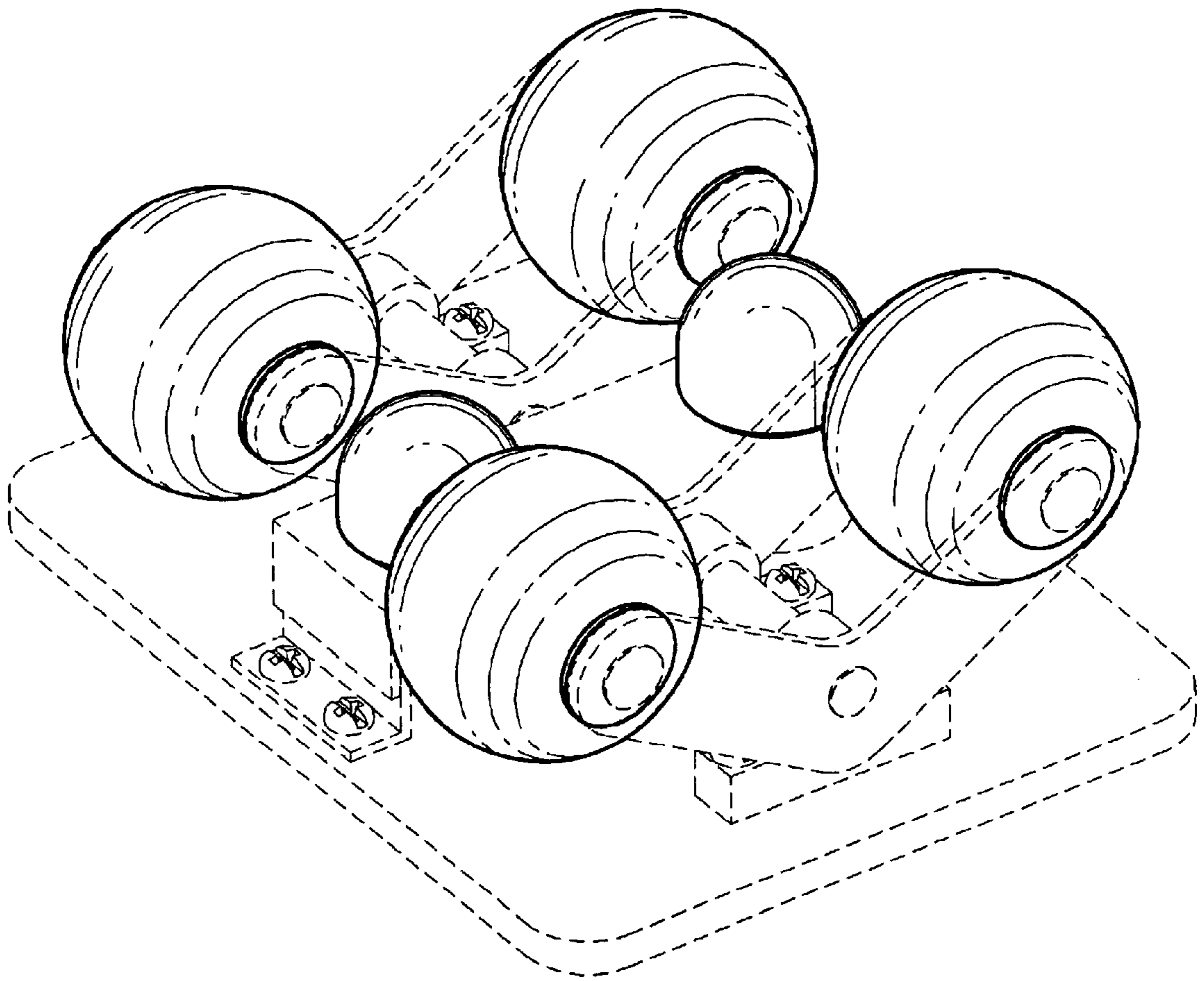


Fig. 5



# Fig. 6

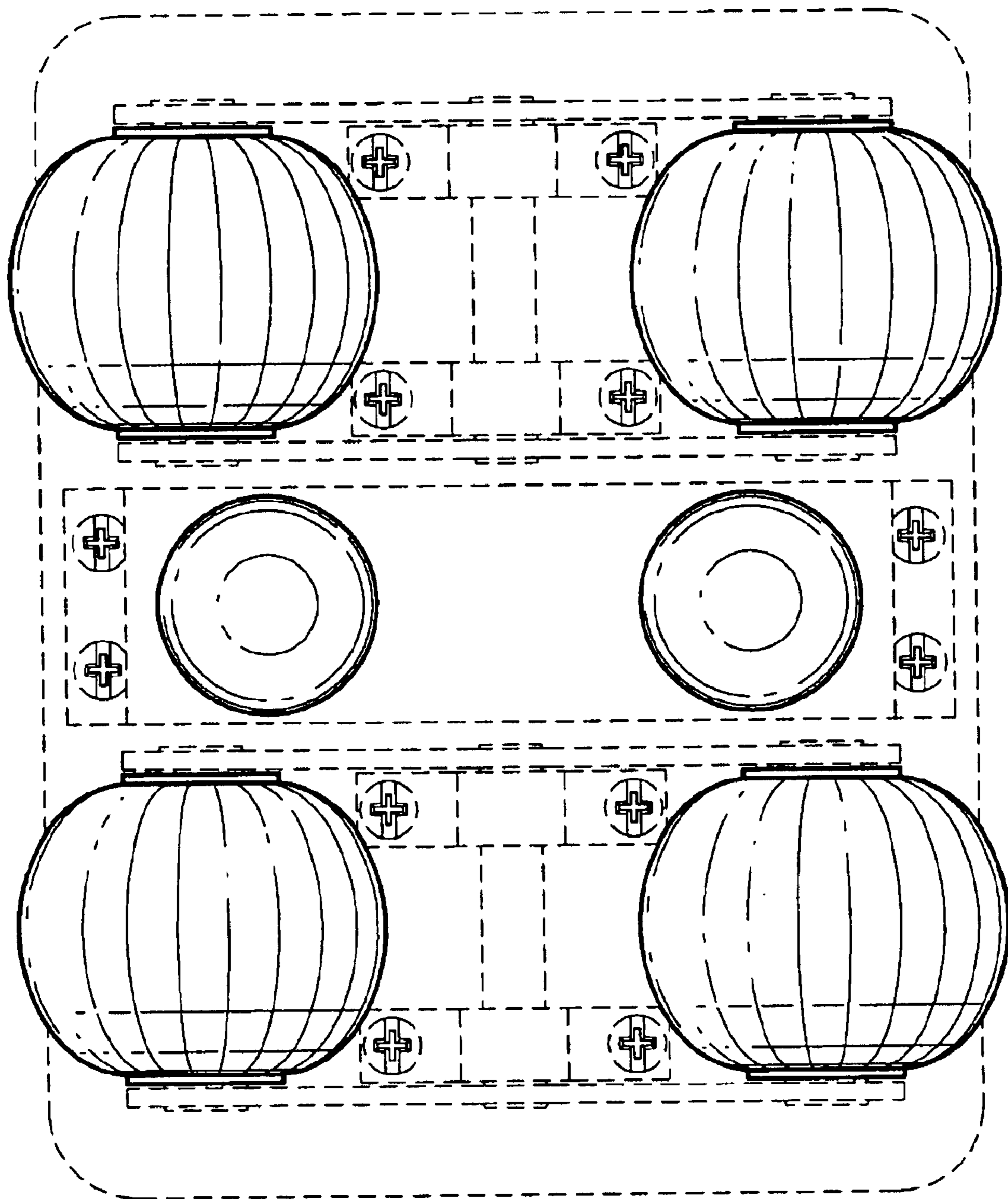


Fig. 7

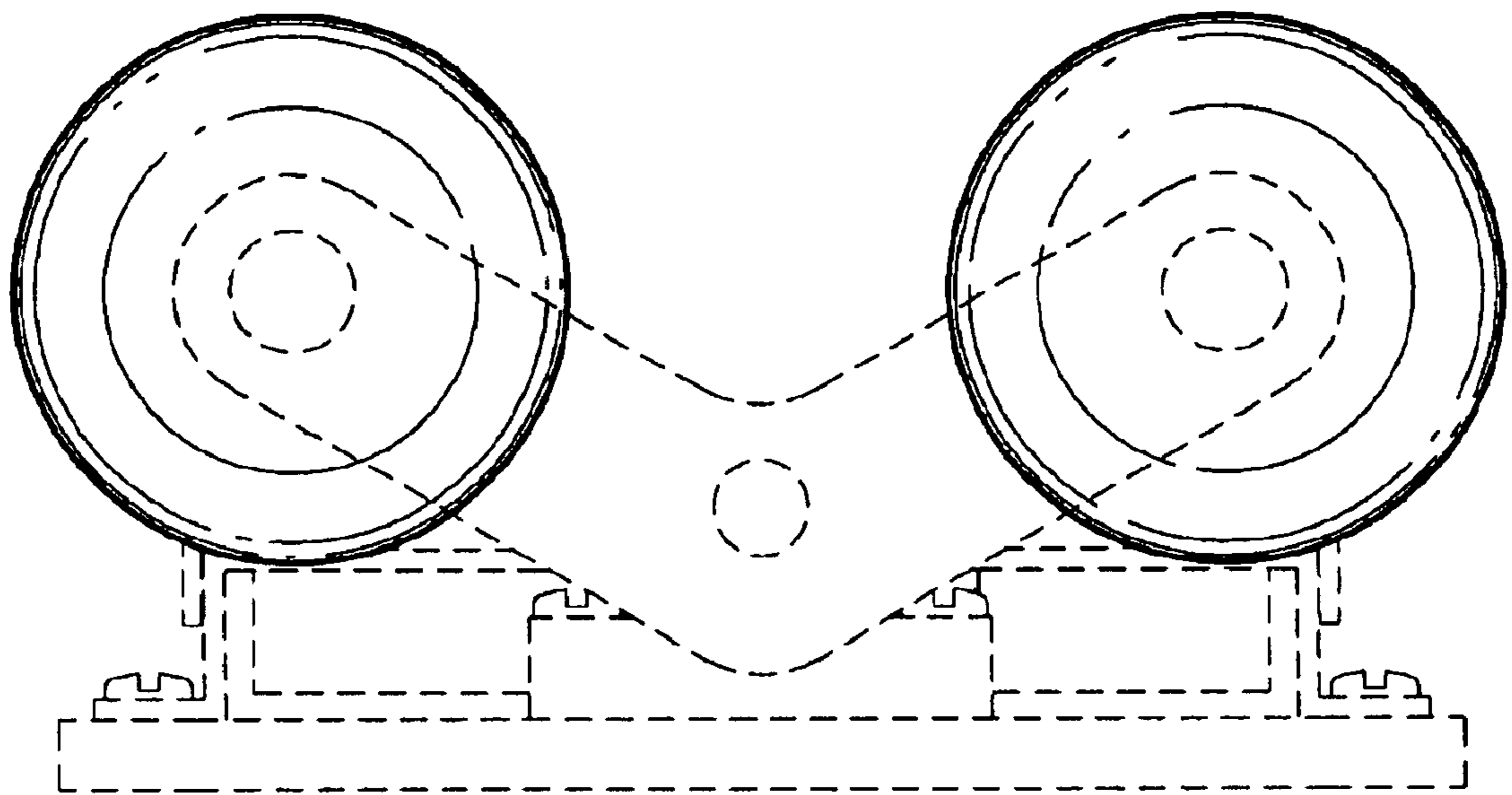




Fig. 8

