



US00D491670S

(12) **United States Design Patent**
Leung et al.

(10) **Patent No.:** **US D491,670 S**
(45) **Date of Patent:** **** Jun. 15, 2004**

(54) **SAUNA**
(76) **Inventors:** **Anthony Kit Lun Leung**, 2B 41 Braemar Hill Road, North Point, Hong Kong (CN); **Brenda P. K. Yue**, Block 7, Flat E, Sceneway Garden Lam Tin, Kowloon, Hong Kong (CN); **Kam Fai Fung**, Block 7, Flat D, 2F Melody Garden Tuen Mun, Hong Kong (CN)

(**) **Term:** **14 Years**

(21) **Appl. No.:** **29/163,233**

(22) **Filed:** **Jun. 28, 2002**

(51) **LOC (7) Cl.** **23-02**

(52) **U.S. Cl.** **D24/203**

(58) **Field of Search** D24/203; 392/403, 392/406, 405; 4/535, 537

4,223,668 A	9/1980	Forget nee Lamy et al.
4,262,374 A	4/1981	Mikiya et al.
4,281,423 A	8/1981	Fukunaga et al.
D262,052 S	* 11/1981	Akita D23/270
4,300,556 A	11/1981	Ochi et al.
D266,020 S	8/1982	Mikiya et al.
4,399,349 A	8/1983	Deming et al.
D279,312 S	6/1985	Pohlmann
4,903,850 A	2/1990	Frank et al.
5,098,414 A	3/1992	Walker
5,355,591 A	10/1994	Caruso
5,761,378 A	6/1998	Boyle et al.
5,896,864 A	4/1999	Boyle et al.
6,022,327 A	2/2000	Chang

FOREIGN PATENT DOCUMENTS

GB	2 170 119	7/1986
GB	2 234 677	2/1991
GB	2 248 183	4/1992

* cited by examiner

Primary Examiner—Stella Reid

(74) *Attorney, Agent, or Firm*—Ohlandt, Greeley, Ruggiero & Perle, L.L.P.

(56) **References Cited**

U.S. PATENT DOCUMENTS

1,587,844 A	6/1926	Landberg
3,152,240 A	* 10/1964	Scott 392/403
D206,640 S	1/1967	Mitchell
D208,514 S	* 9/1967	Hartwell D24/203
D209,364 S	* 11/1967	Katzman et al. D24/203
3,351,737 A	11/1967	Katzman et al.
D209,939 S	1/1968	Grube
D210,337 S	2/1968	Grube
D210,435 S	3/1968	Boldt
D212,285 S	9/1968	Mitchell
D212,286 S	9/1968	Mitchell
3,768,483 A	10/1973	Kusunoki
3,949,743 A	4/1976	Shanbrom
4,004,302 A	* 1/1977	Hori 4/541.5
4,190,052 A	2/1980	McCarthy

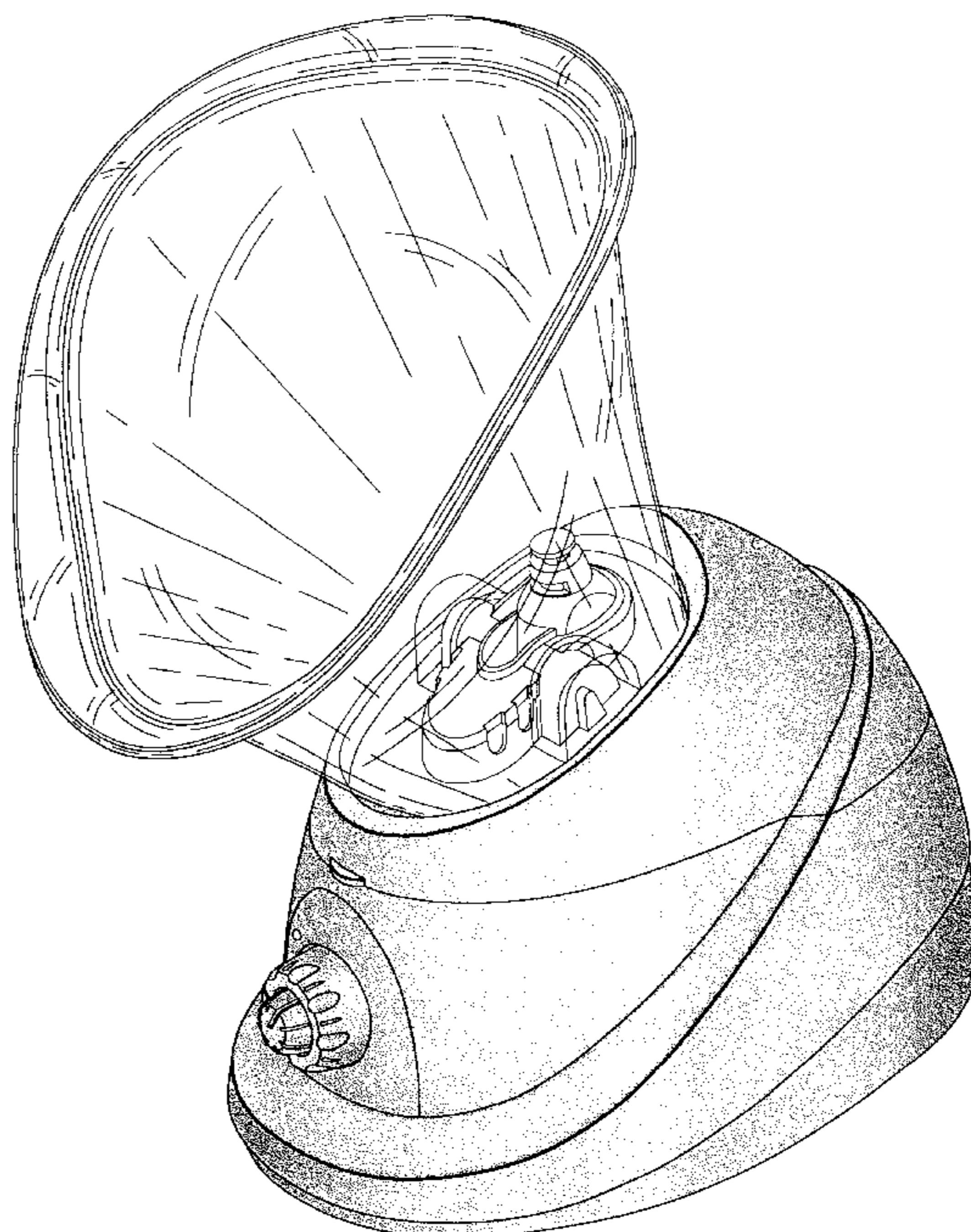
(57) **CLAIM**

The ornamental design for a sauna, as shown and described.

DESCRIPTION

FIG. 1 is a perspective view of a sauna showing our design; FIG. 2 is a front view of the sauna of FIG. 1; FIG. 3 is a rear view of the sauna of FIG. 1; FIG. 4 is a side view of the sauna of FIG. 1; FIG. 5 is a side view of the sauna of FIG. 1, opposite the side view of FIG. 4; and, FIG. 6 is a top view of the sauna of FIG. 1.

1 Claim, 6 Drawing Sheets



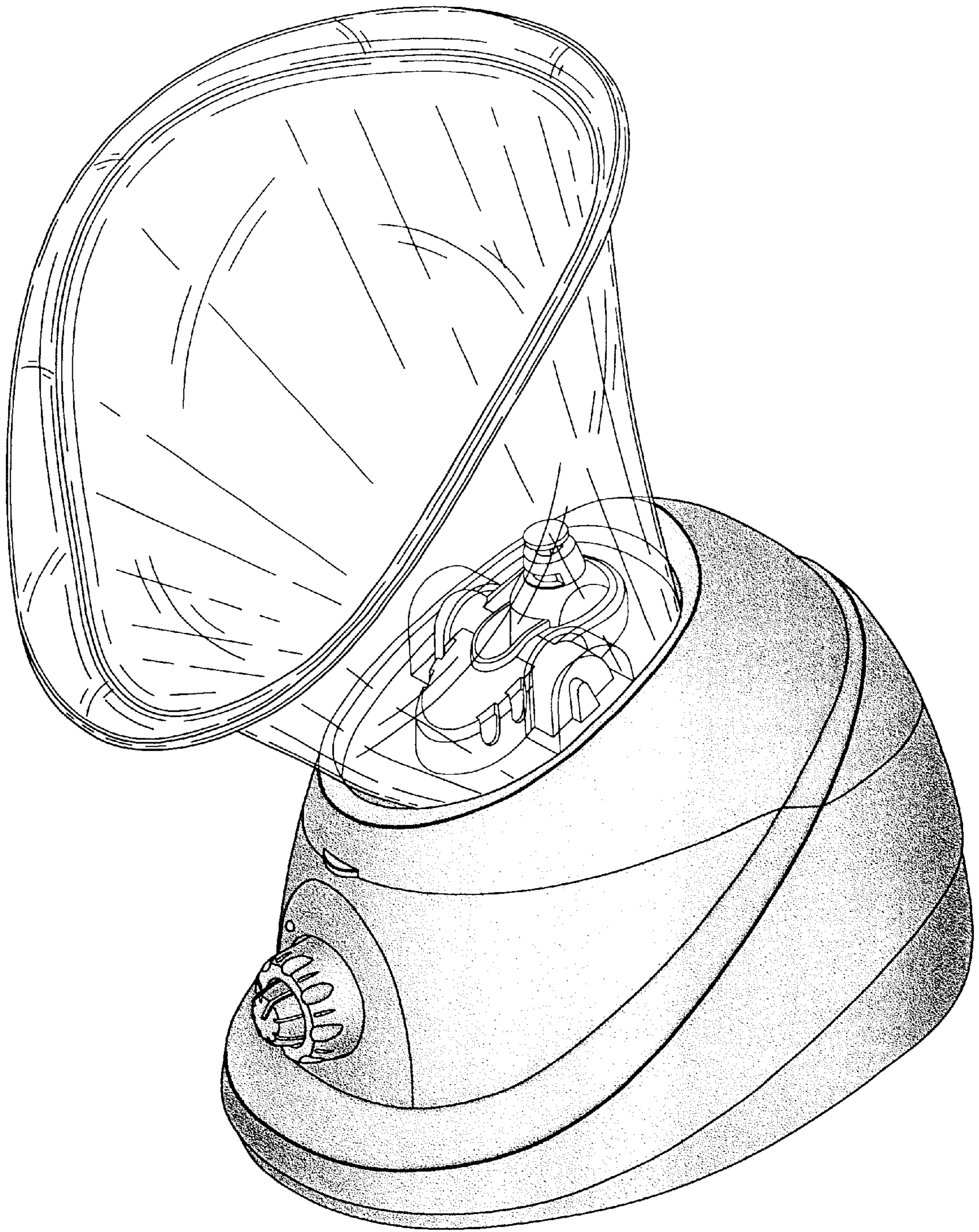


FIG. 1

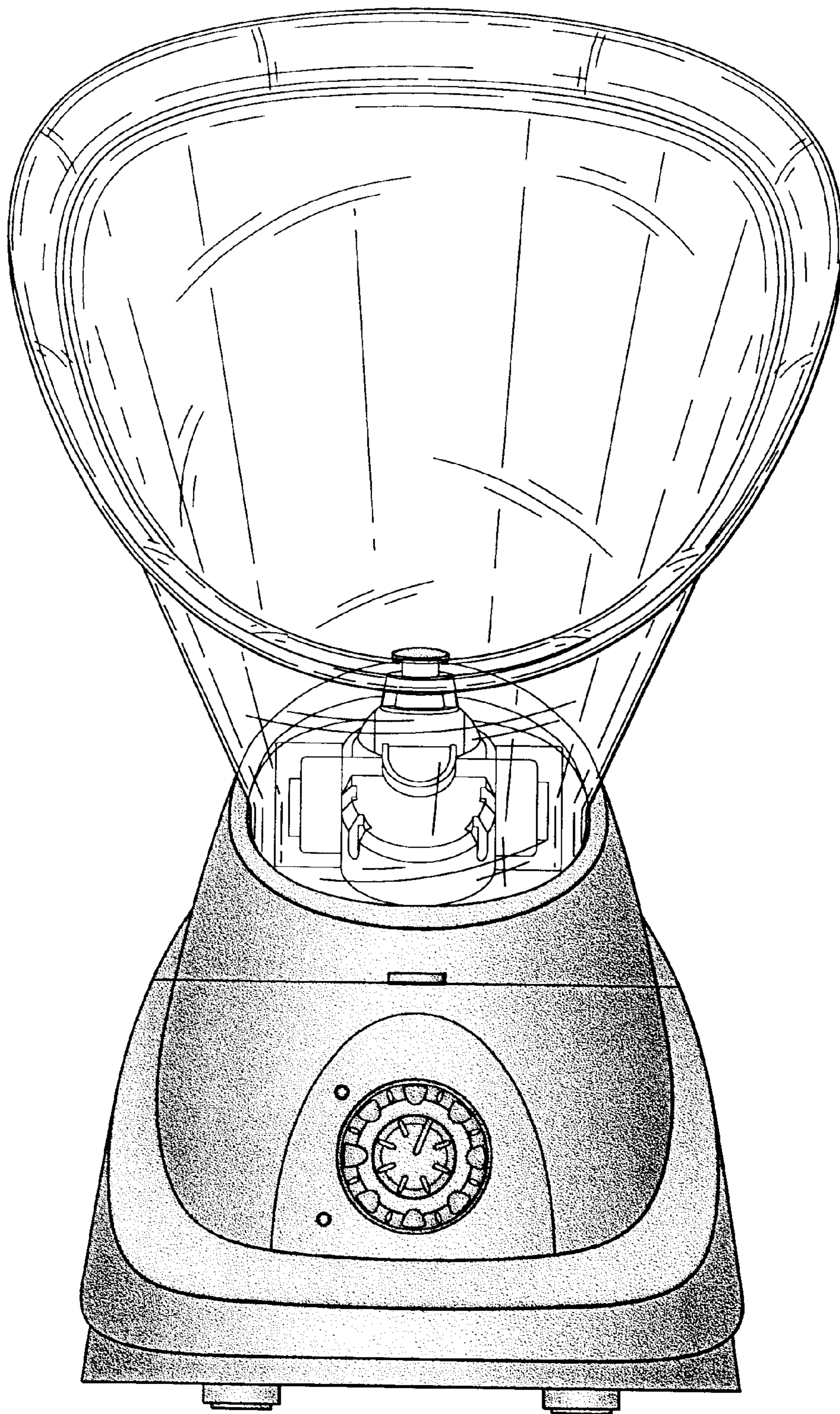


FIG. 2

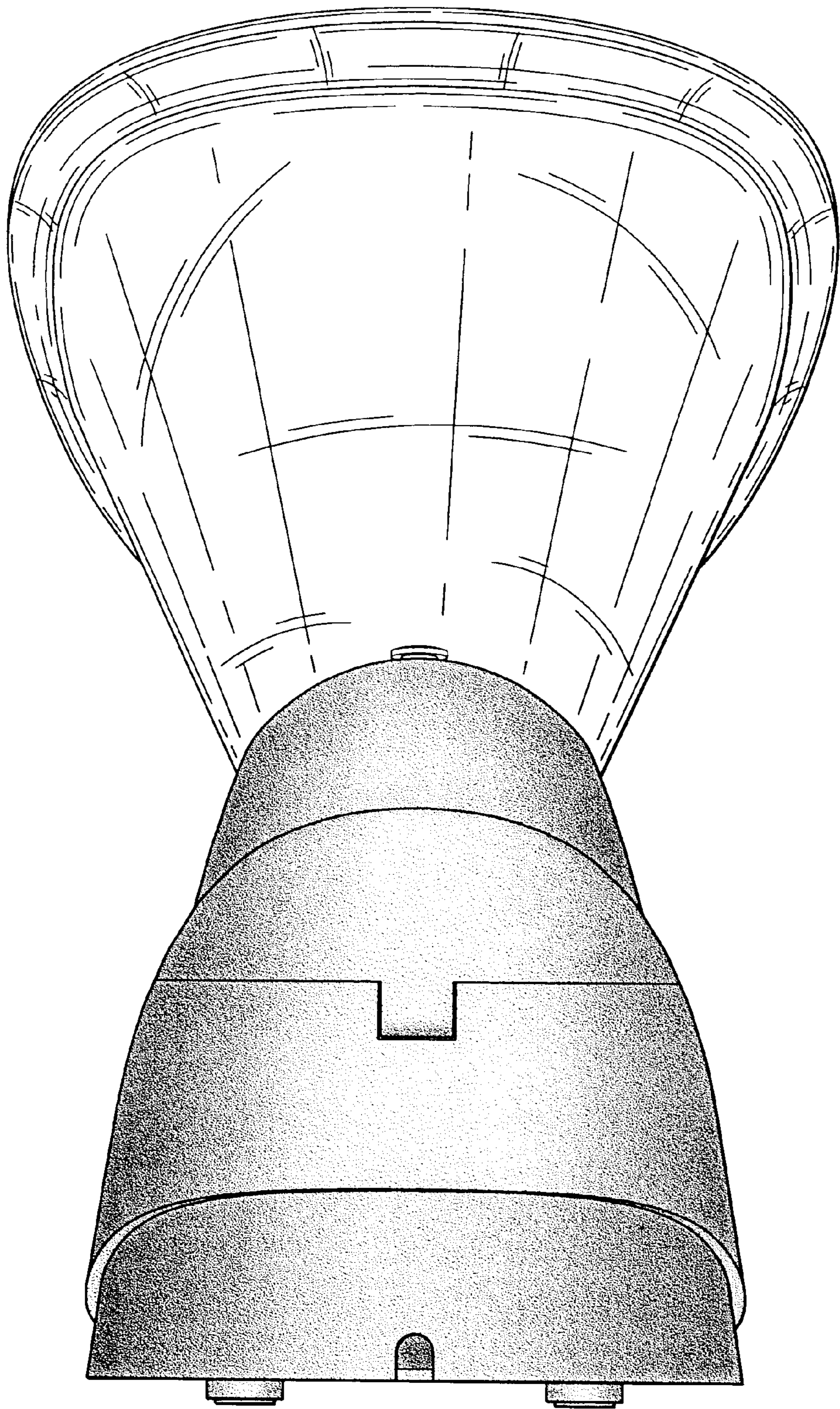


FIG. 3

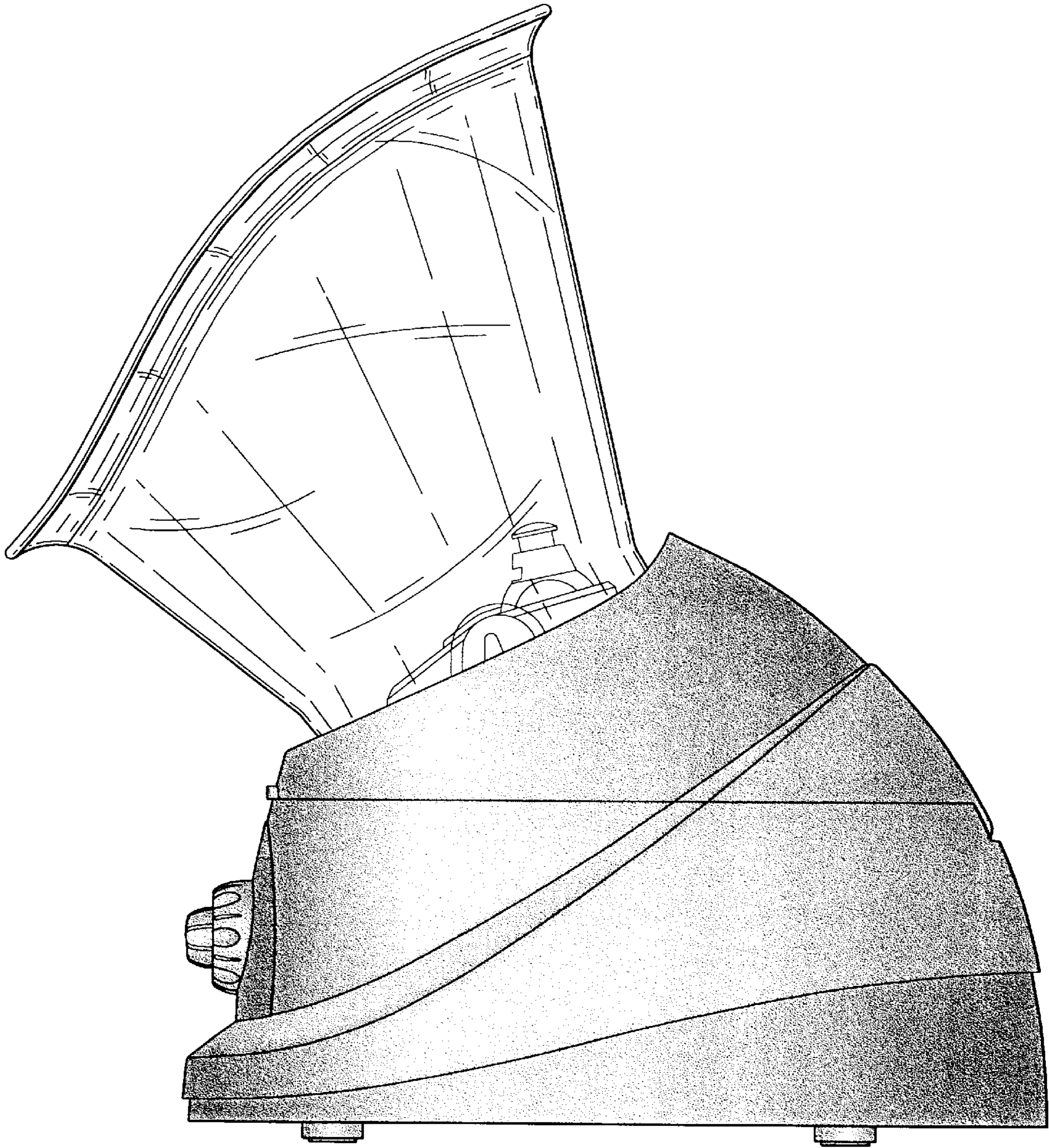


FIG. 4

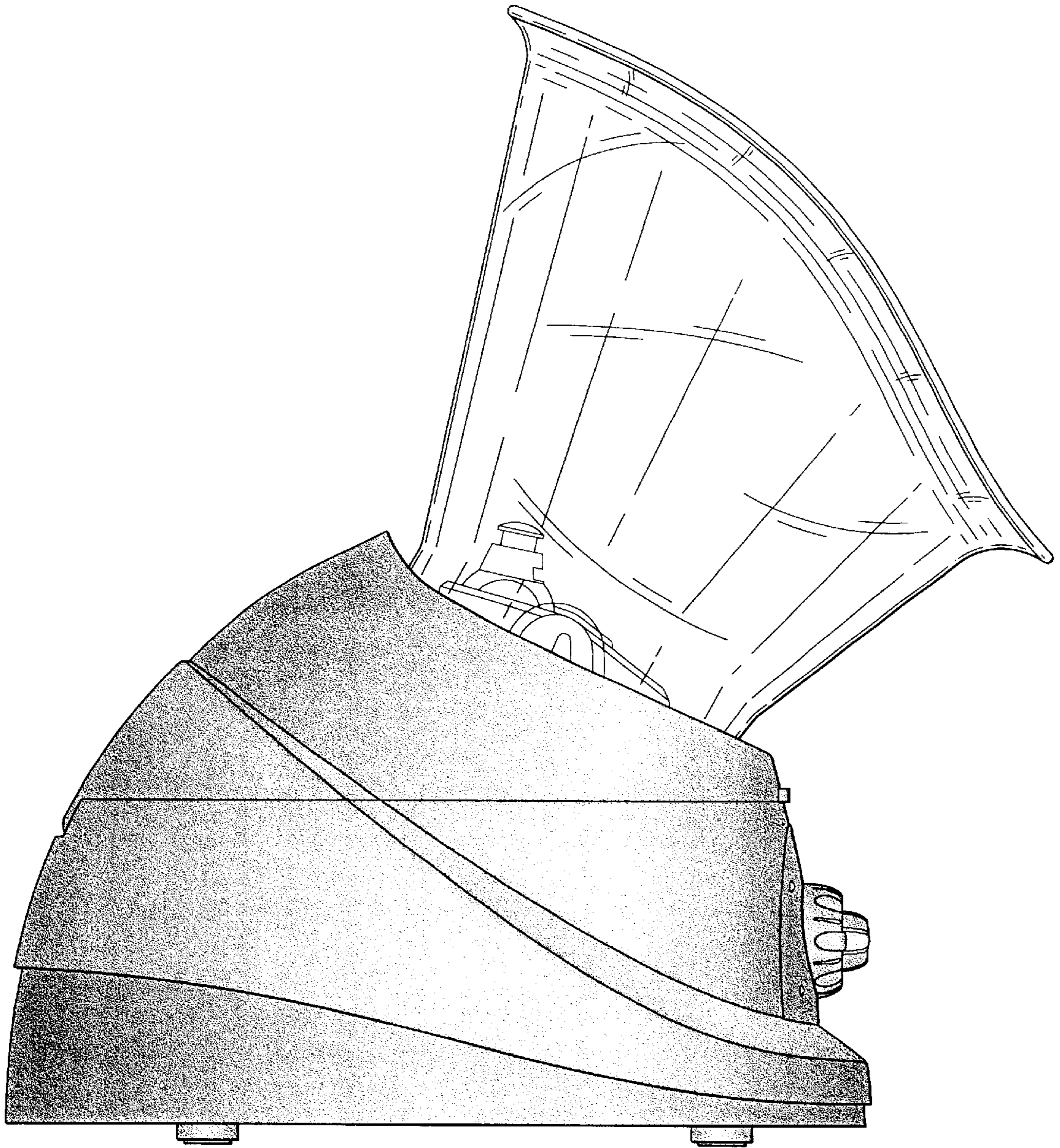


FIG. 5

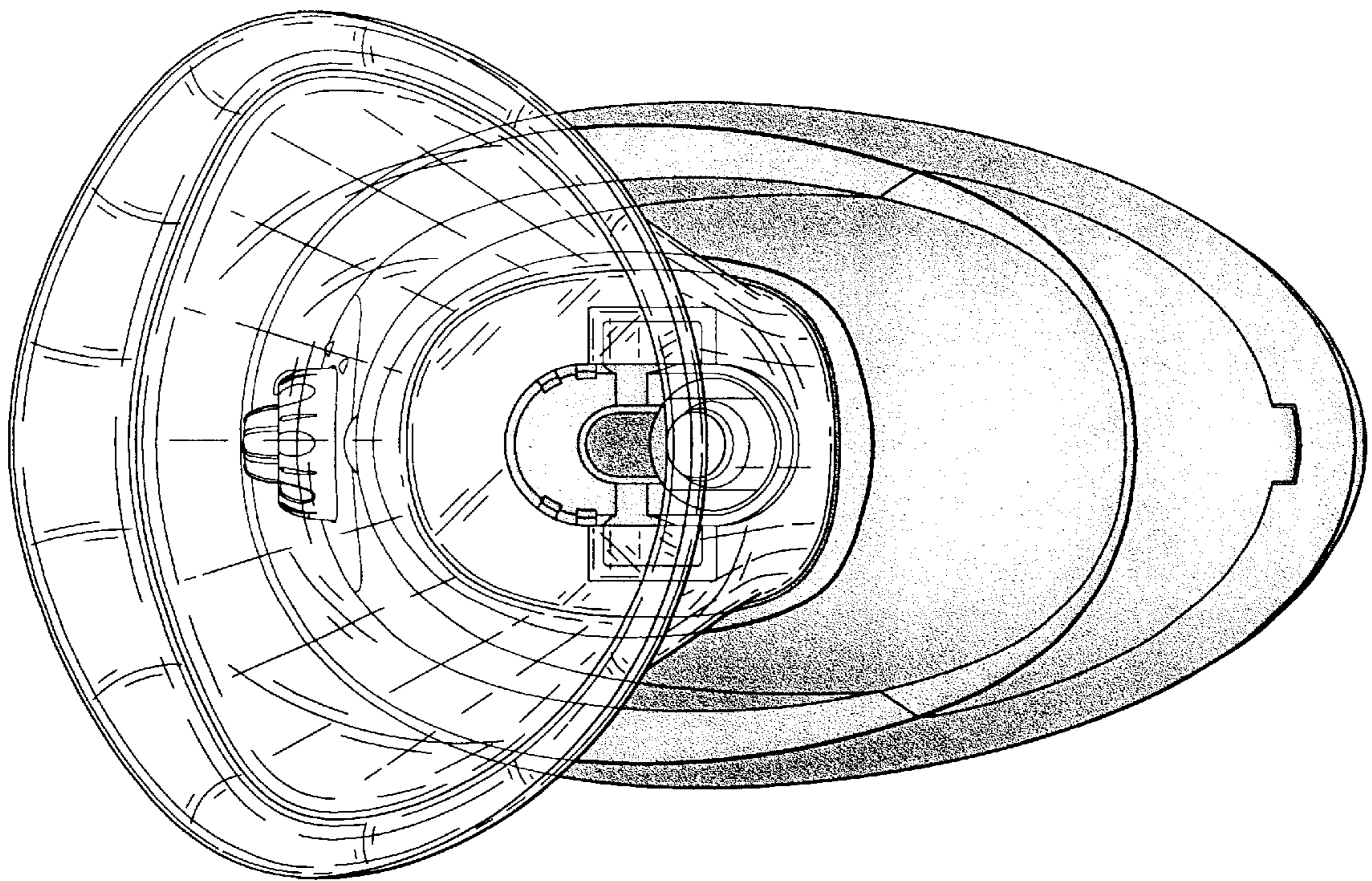


FIG. 6