



US00D491666S

(12) **United States Design Patent**
Kimmell et al.

(10) **Patent No.:** **US D491,666 S**
(45) **Date of Patent:** **** Jun. 15, 2004**

(54) **ELECTROSURGICAL GENERATOR**

(75) Inventors: **Steven D. Kimmell**, Granada Hills, CA (US); **Mark D. Glassett**, Sandy, UT (US); **James D. Isaacson**, Salt Lake City, UT (US); **William Alan Miller**, Bluffdale, UT (US); **Michael S. Hintze**, Sandy, UT (US)

(73) Assignee: **Megadyne Medical Products, Inc.**, Draper, UT (US)

(**) Term: **14 Years**

(21) Appl. No.: **29/182,915**

(22) Filed: **Jun. 3, 2003**

(51) **LOC (7) Cl.** **24-01**

(52) **U.S. Cl.** **D24/170**

(58) **Field of Search** D24/170; 606/32-41, 606/46, 48, 49; 312/209, 249.1, 249.8, 249.12

(56) **References Cited**

U.S. PATENT DOCUMENTS

D264,122 S * 4/1982 Oosten et al. D24/170

4,593,691 A * 6/1986 Lindstrom et al. 606/45
D288,435 S * 2/1987 Tanner D13/101
D396,108 S * 7/1998 Garito et al. D24/144
D477,408 S * 7/2003 Bromley D24/170

* cited by examiner

Primary Examiner—Stella Reid
(74) *Attorney, Agent, or Firm*—Workman Nydegger; Jonathan W. Richards

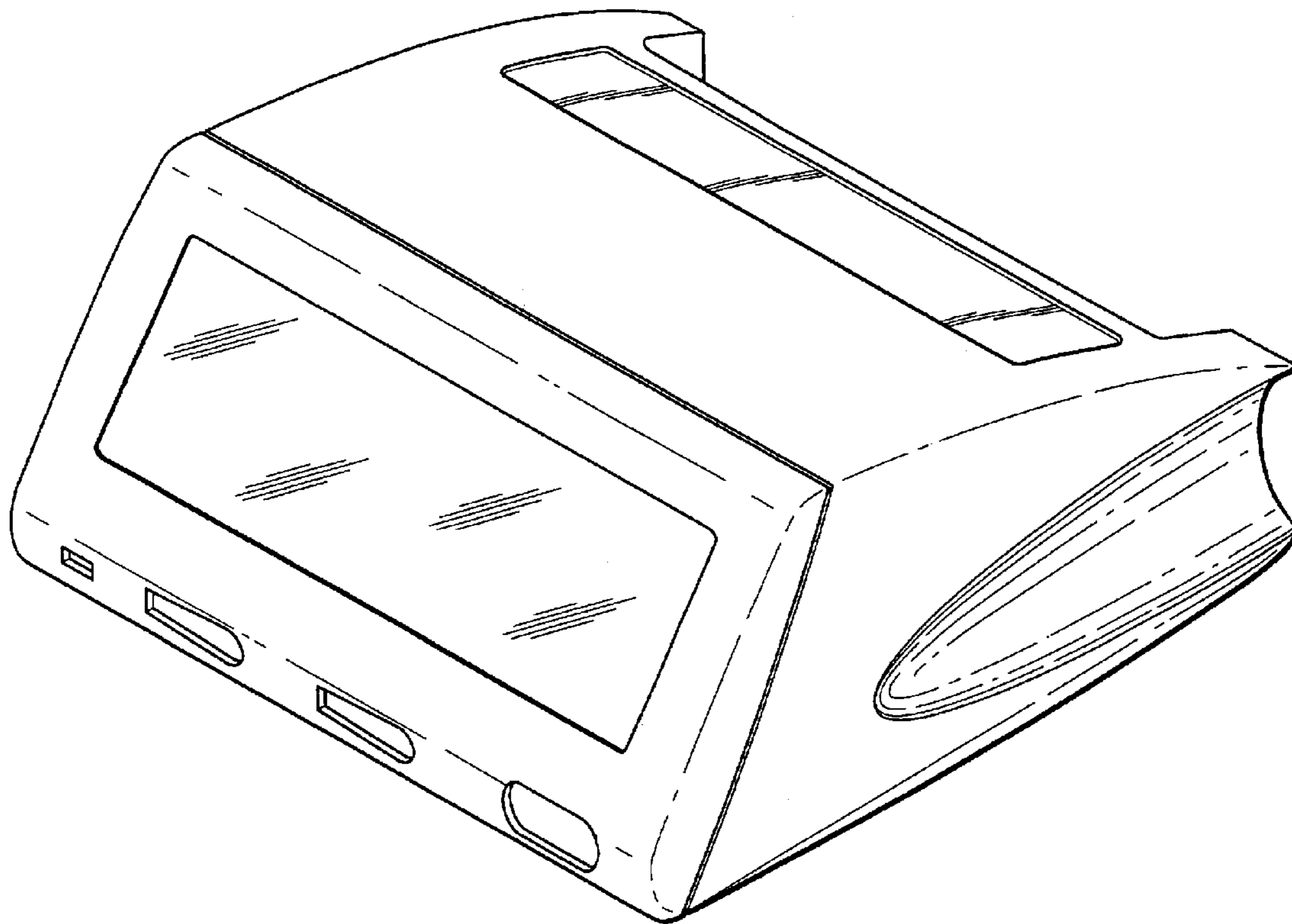
(57) **CLAIM**

The ornamental design for a electrosurgical generator, as shown and described.

DESCRIPTION

FIG. 1 is a perspective view of the electrosurgical generator; FIG. 2 is a front end elevational view of the electrosurgical generator; FIG. 3 is a rear end elevational view of the electrosurgical generator; FIG. 4 is a side end elevational view of the electrosurgical generator; and, FIG. 5 is a top plan view of the electrosurgical generator.

1 Claim, 5 Drawing Sheets



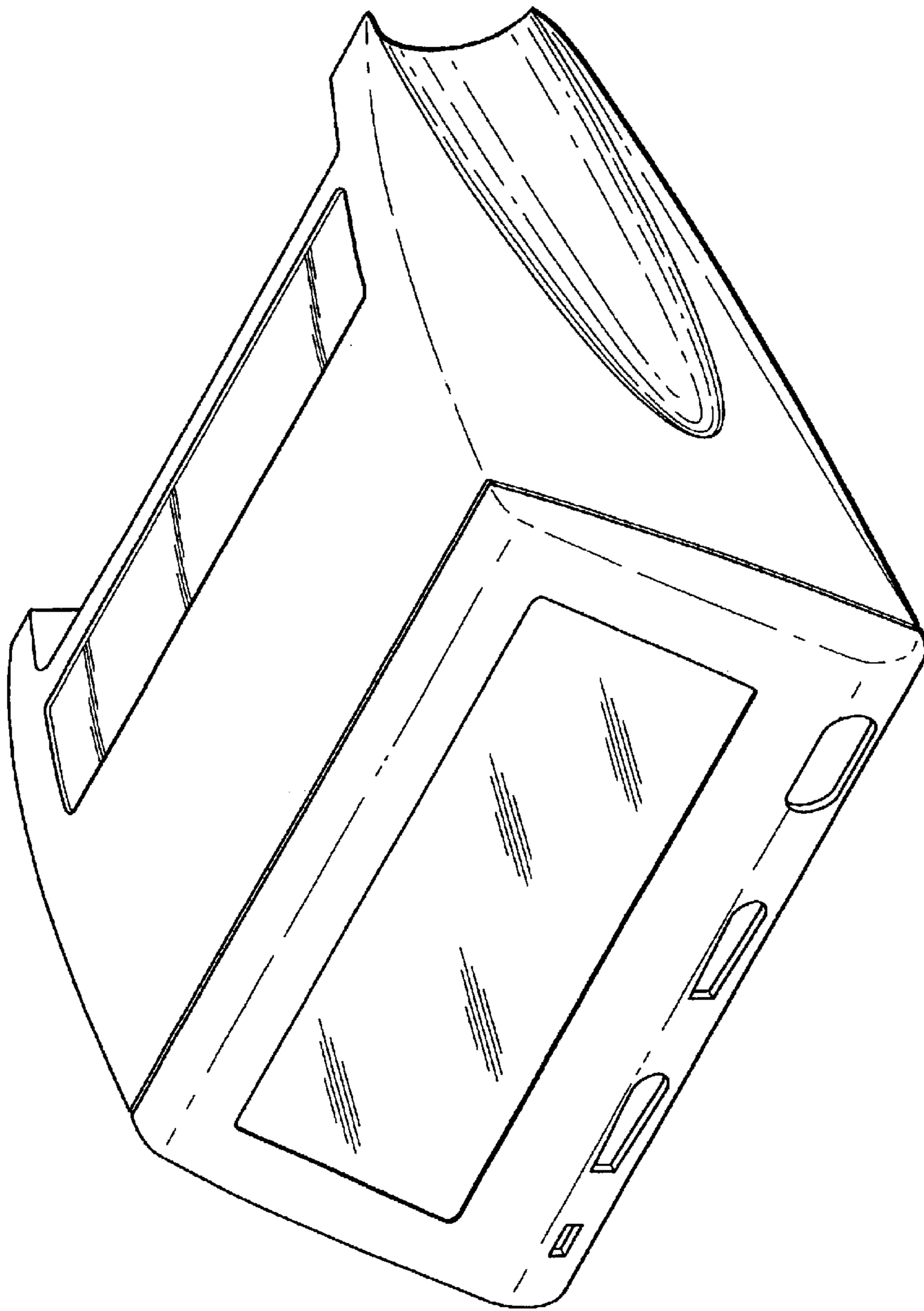


FIG. 1

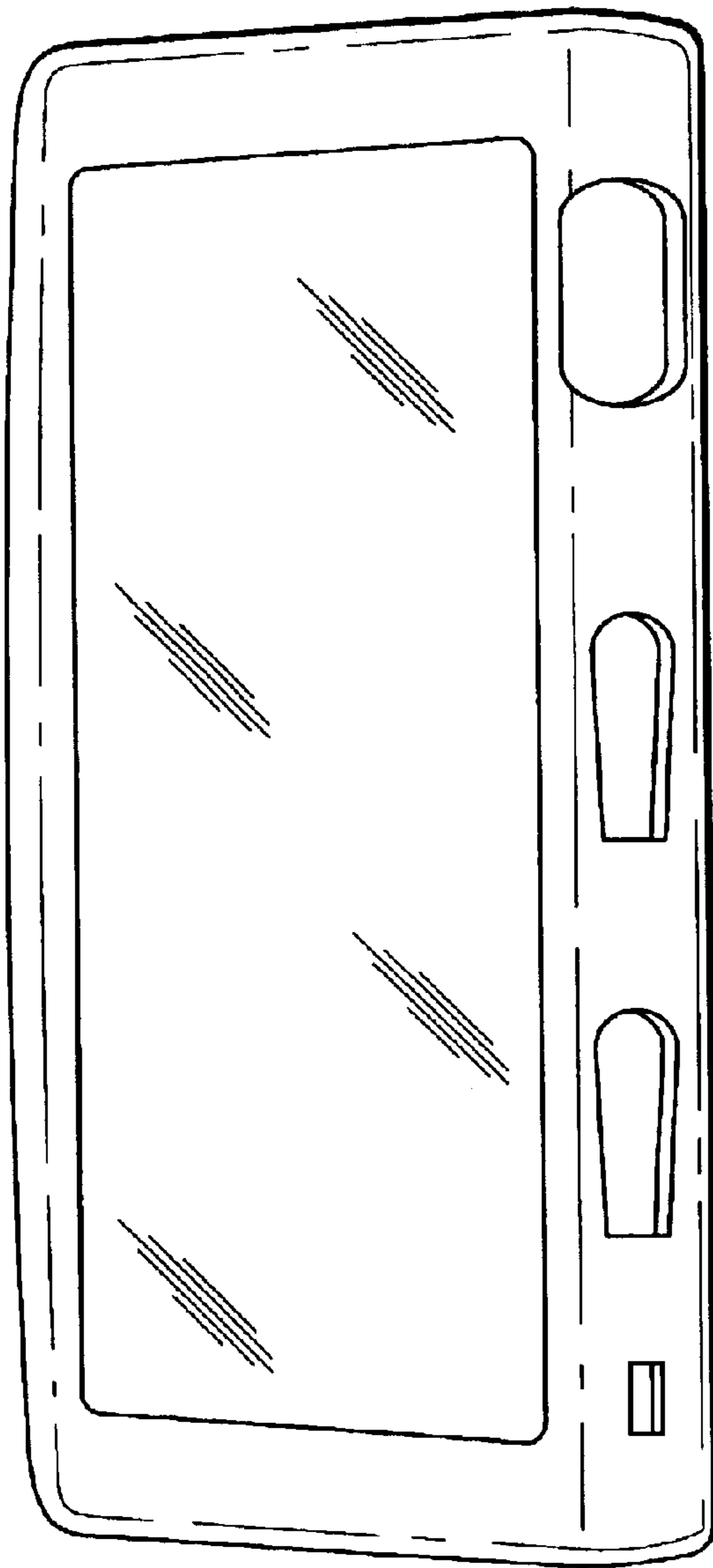


FIG. 2

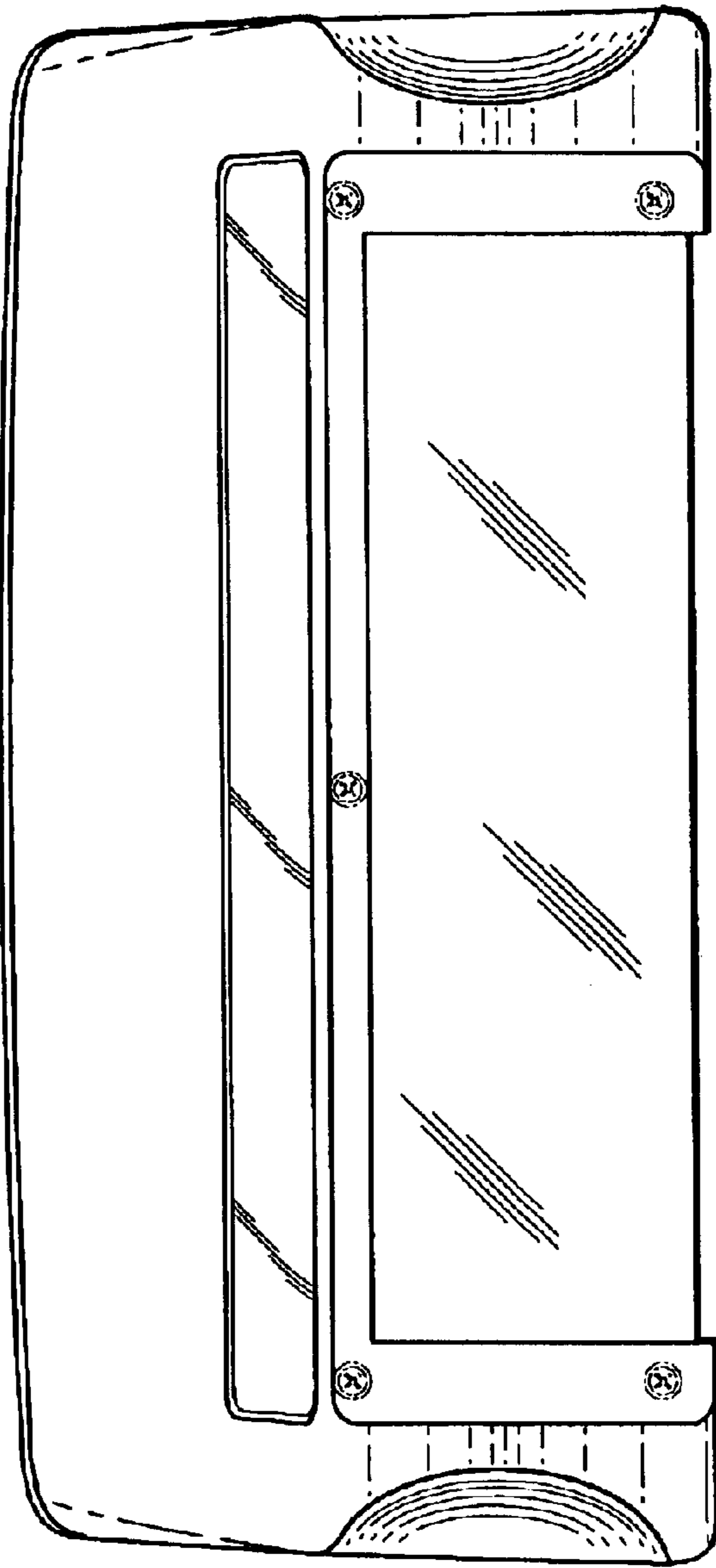


FIG. 3

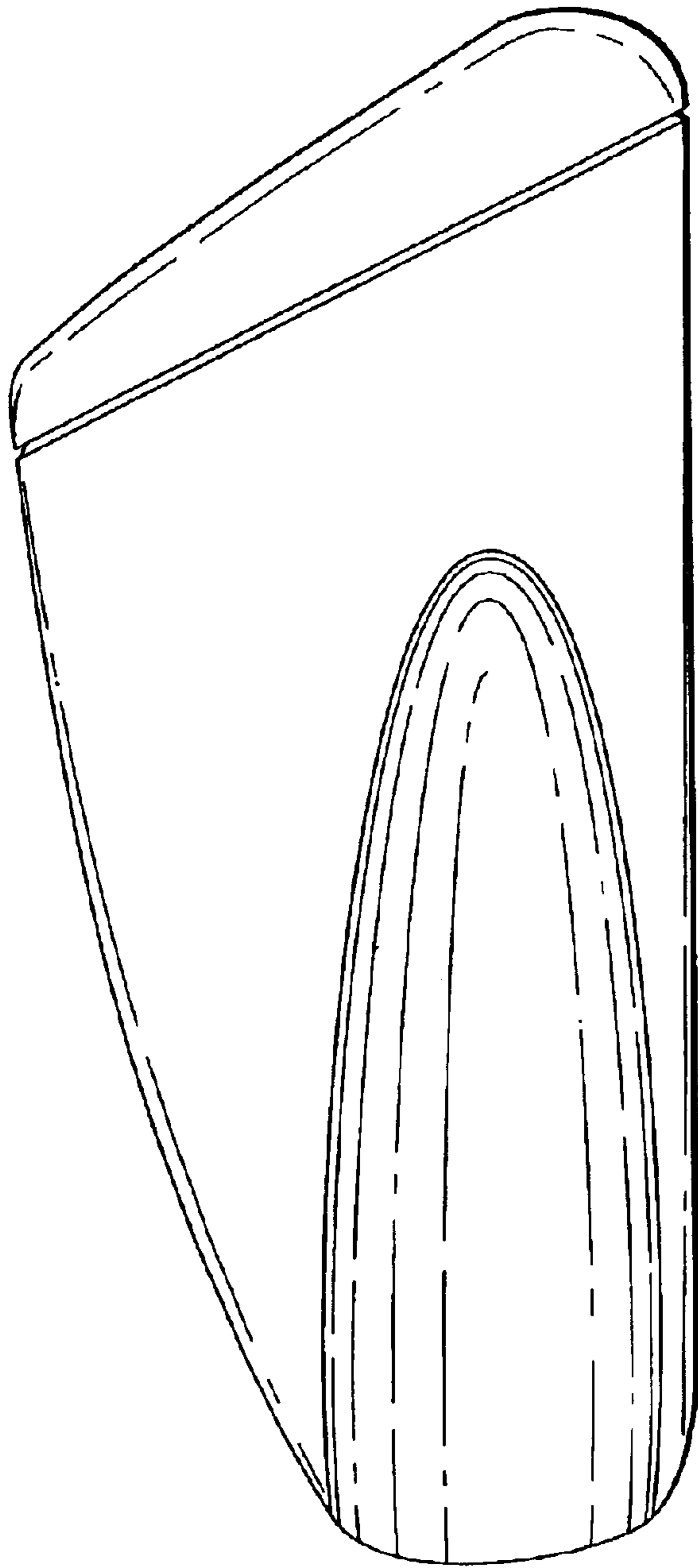


FIG. 4

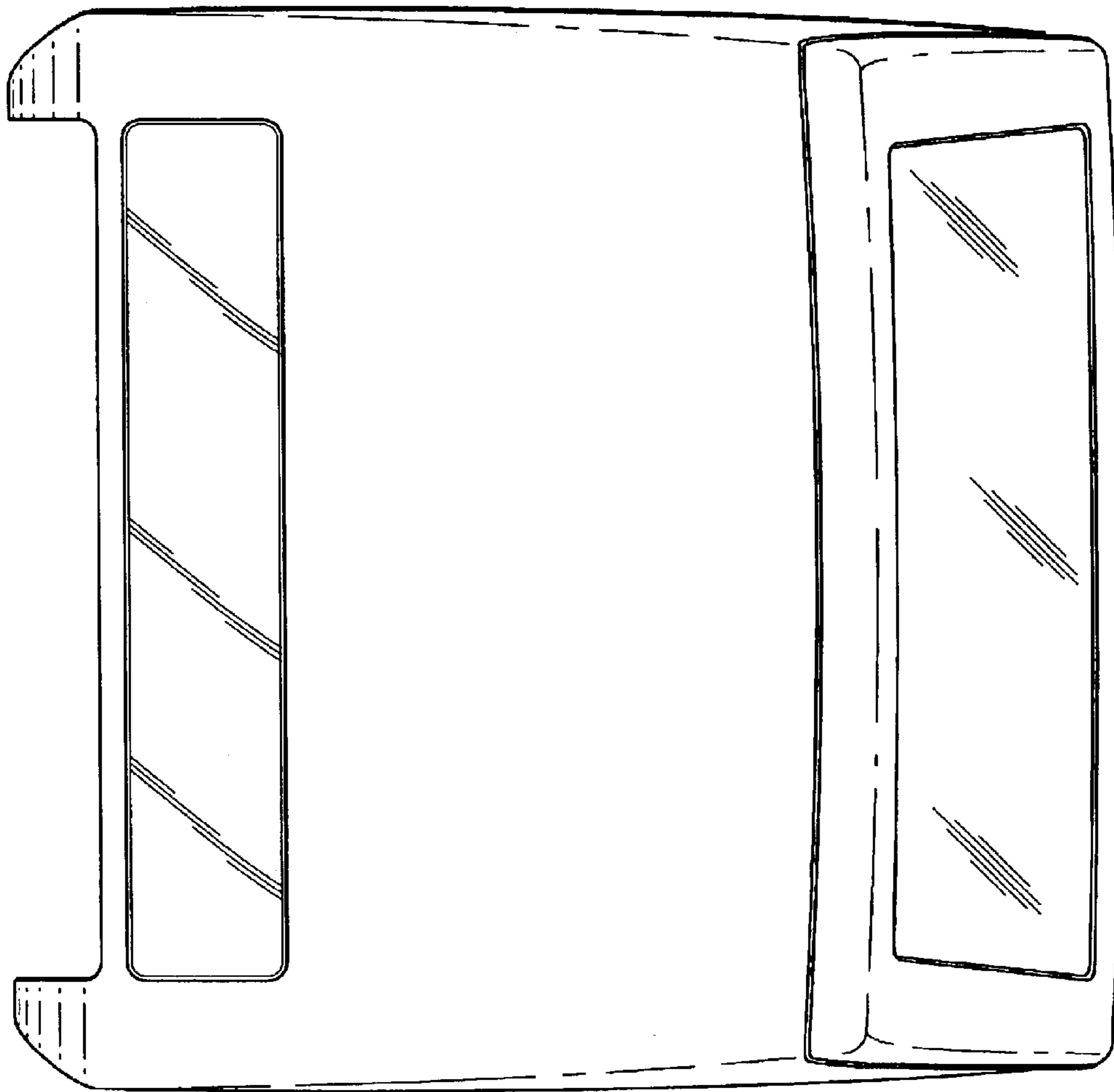


FIG. 5

UNITED STATES PATENT AND TRADEMARK OFFICE
CERTIFICATE OF CORRECTION

PATENT NO. : Des. 491,666 S
DATED : June 15, 2004
INVENTOR(S) : Steven D. Kimmell et al.

Page 1 of 1

It is certified that error appears in the above-identified patent and that said Letters Patent is hereby corrected as shown below:

Title page,
Item [57], **CLAIM,**
Line 1, change "a electrosurgical" to -- an electrosurgical --.

Signed and Sealed this

Twenty-third Day of August, 2005

A handwritten signature in black ink on a light gray dotted background. The signature reads "Jon W. Dudas" in a cursive style.

JON W. DUDAS

Director of the United States Patent and Trademark Office