



US00D491664S

(12) **United States Design Patent**
Patzer

(10) **Patent No.:** **US D491,664 S**
(45) **Date of Patent:** **** Jun. 15, 2004**

(54) **VENTED CONTRAST MEDIA RESERVOIR
CAP ASSEMBLY**

(75) Inventor: **Charles R. Patzer**, Columbus, OH
(US)

(73) Assignee: **Medex, Inc.**, Carlsbad, CA (US)

(**) Term: **14 Years**

(21) Appl. No.: **29/167,759**

(22) Filed: **Sep. 20, 2002**

(51) **LOC (7) Cl.** **24-01**

(52) **U.S. Cl.** **D24/158**

(58) **Field of Search** D24/158, 160;
604/83, 89, 91, 246, 248; 600/458

(56) **References Cited**

U.S. PATENT DOCUMENTS

3,881,640	A	5/1975	Noble	
3,976,068	A	8/1976	Lundquist	
4,078,563	A	3/1978	Tuseth	
4,175,558	A	11/1979	Hess, III et al.	
4,317,473	A	3/1982	Gaydos	
4,332,247	A	6/1982	Mittleman et al.	
4,553,964	A	11/1985	Sasaki	
4,673,397	A	6/1987	Lynn et al.	
4,734,091	A	3/1988	Boyle et al.	
5,059,173	A	10/1991	Sacco	
5,249,579	A	* 10/1993	Hobbs et al.	600/458
5,328,463	A	7/1994	Barton et al.	
5,334,170	A	8/1994	Moroski	
5,356,375	A	10/1994	Higley	
5,423,346	A	6/1995	Daoud	
5,423,751	A	6/1995	Harrison et al.	
5,443,453	A	8/1995	Walker et al.	
5,533,978	A	7/1996	Teirstein	
5,569,208	A	10/1996	Woelpper et al.	
5,575,779	A	11/1996	Barry	
5,593,385	A	1/1997	Harrison et al.	
5,697,904	A	12/1997	Raines et al.	
6,315,762	B1	* 11/2001	Recinella et al.	604/247

OTHER PUBLICATIONS

Cost-Effective CCD Feature Unique Design (1 page)
(MEEN/MIMS Magazine, p. 16 (Oct. 1999).

Diagnostic/Interventional (CMS Series), B. Braun, (2 pp),
Sep. 1997.

The Medex Contrast Control Device (2 pp) (Oct. 1998).

* cited by examiner

Primary Examiner—Stella Reid

(74) *Attorney, Agent, or Firm*—Wood, Herron & Evans,
LLP

(57) **CLAIM**

The ornamental design for a vented contrast media reservoir
cap assembly, as shown and described.

DESCRIPTION

FIG. 1 is a top perspective view of a vented contrast media
reservoir cap assembly, showing my new design, with the
flip cap in closed state;

FIG. 2 is a front elevational view thereof, the rear elevational
view being a mirror image thereof;

FIG. 3 is a left side elevational view thereof;

FIG. 4 is a right side elevational view thereof;

FIG. 5 is a top plan view thereof;

FIG. 6 is a bottom plan view thereof;

FIG. 7 is a lower perspective view thereof;

FIG. 8 is a top perspective view thereof, with the flip cap in
open state;

FIG. 9 is a front elevational view thereof;

FIG. 10 is a left side elevational view thereof;

FIG. 11 is a right side elevational view thereof;

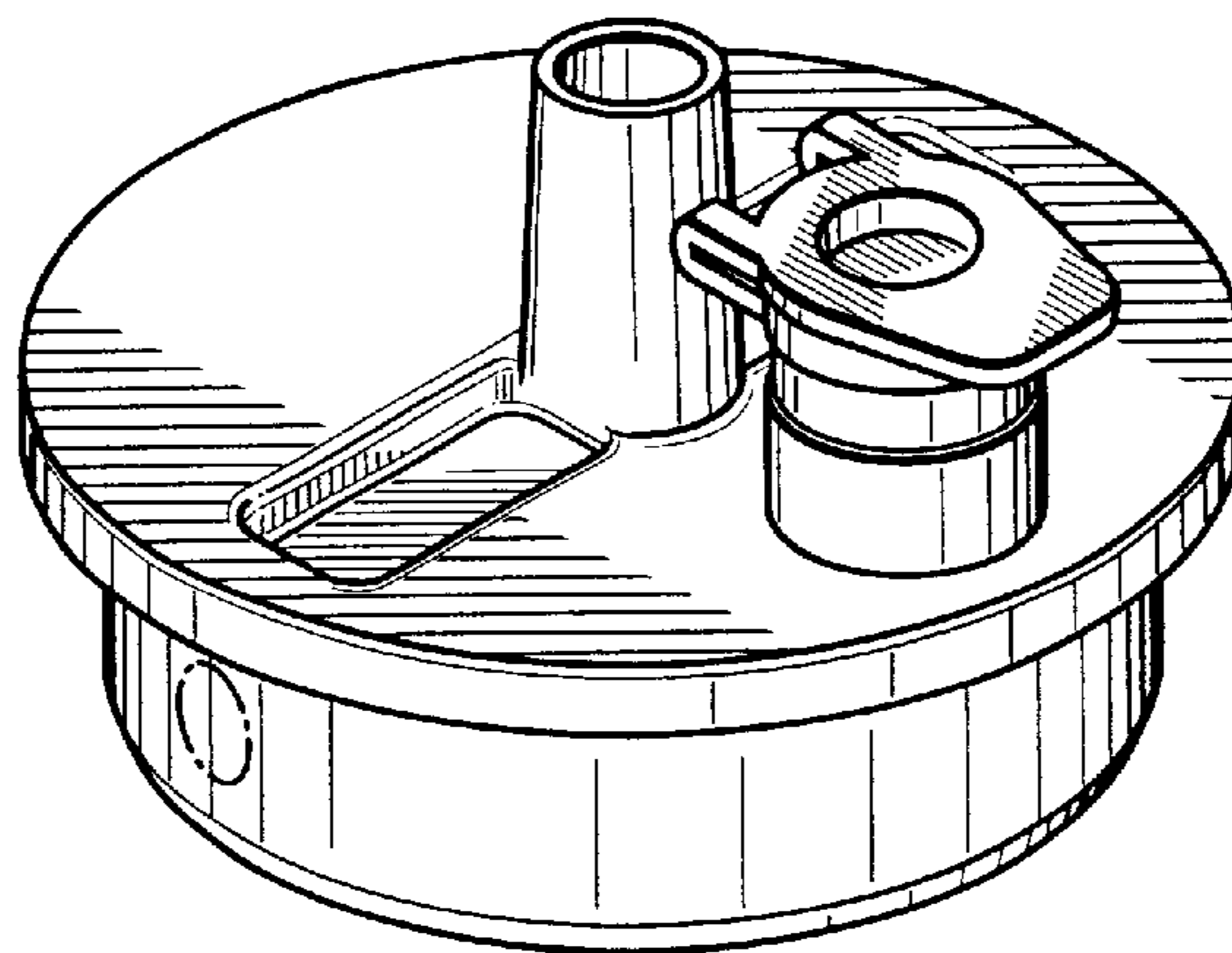
FIG. 12 is a top plan view thereof;

FIG. 13 is a bottom plan view thereof; and,

FIG. 14 is a bottom perspective view thereof.

The structure shown in phantom is for illustrative purposes
only and forms no part of the claimed design.

1 Claim, 2 Drawing Sheets



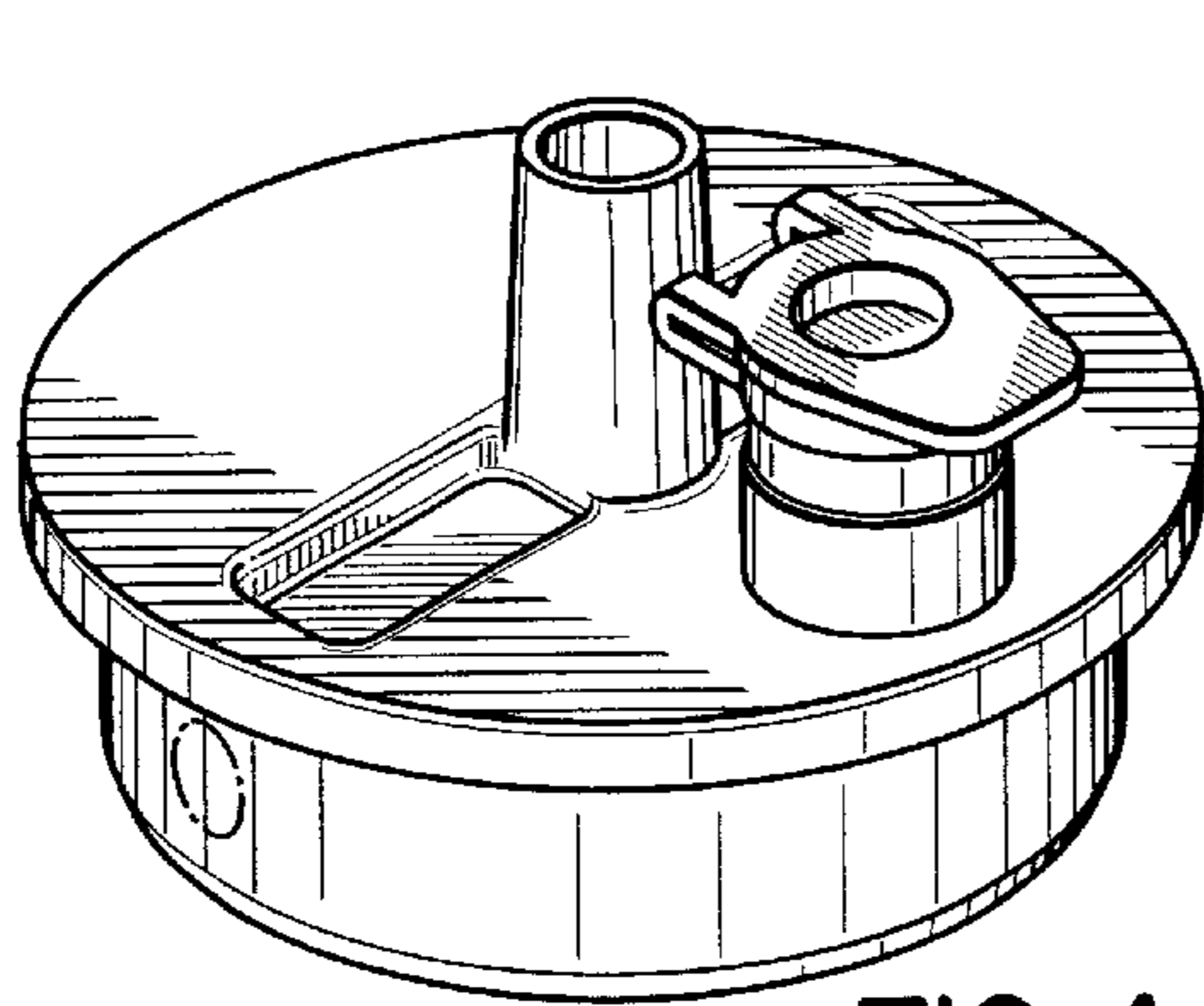


FIG. 1

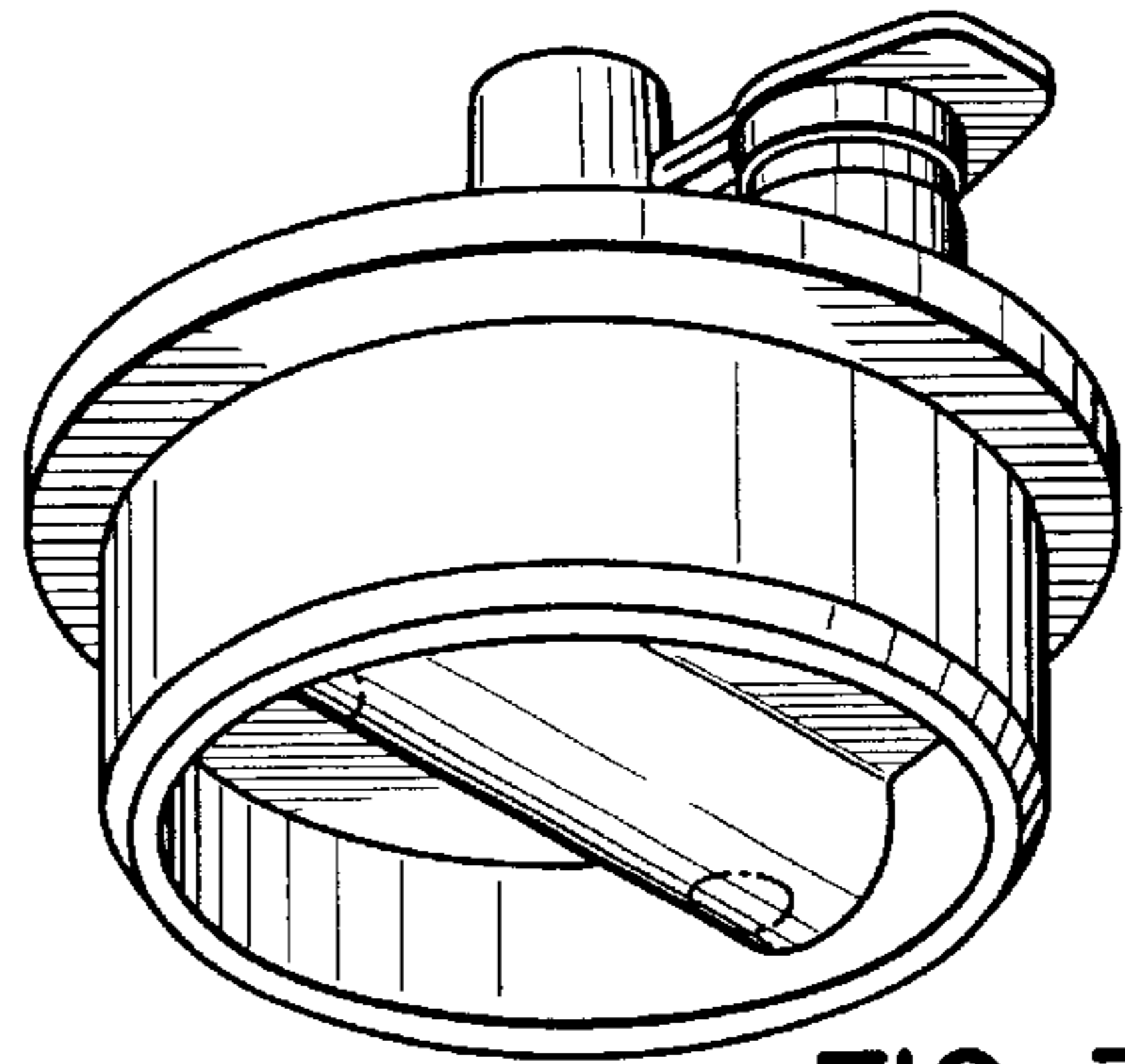


FIG. 7

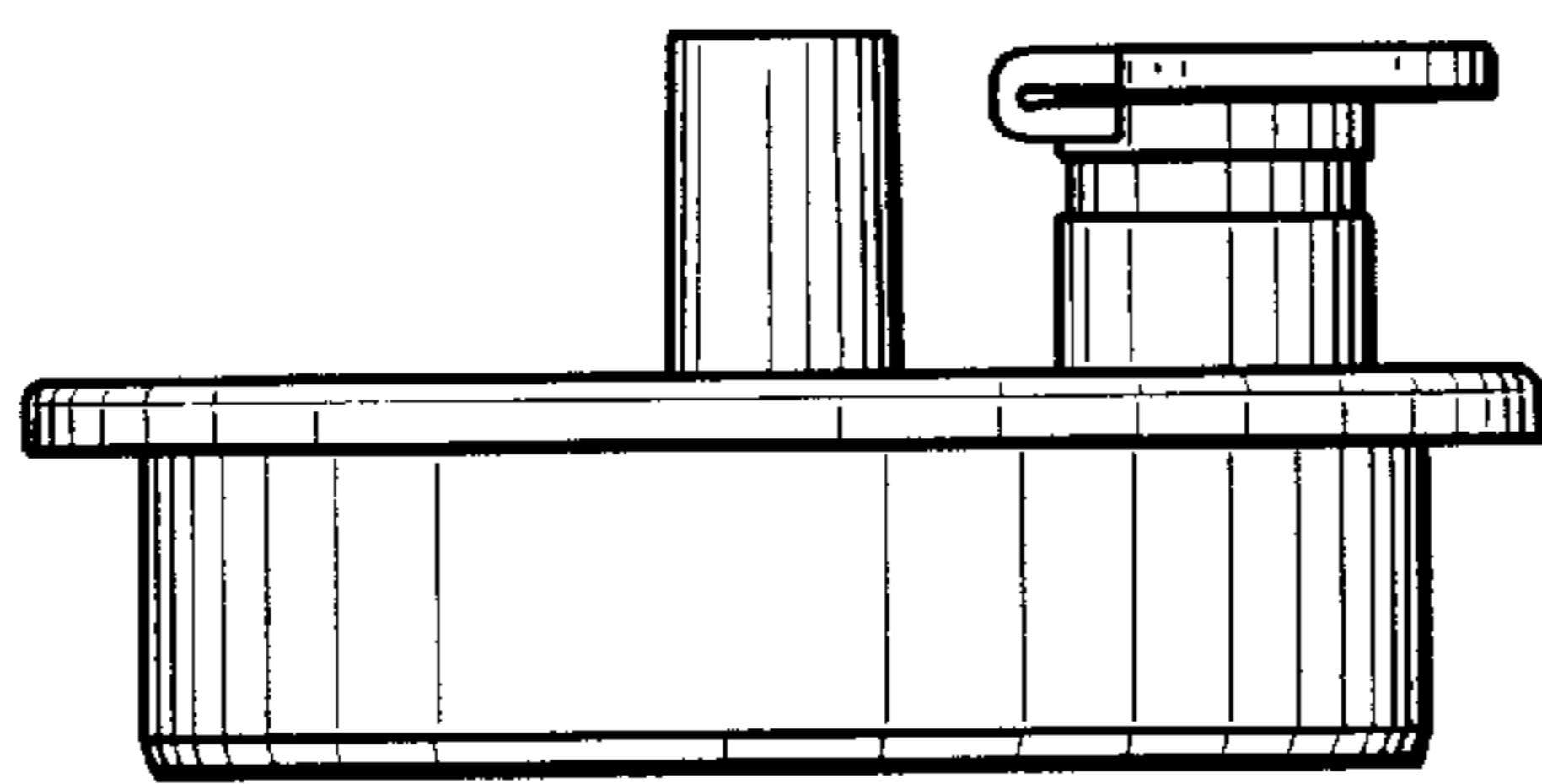


FIG. 2

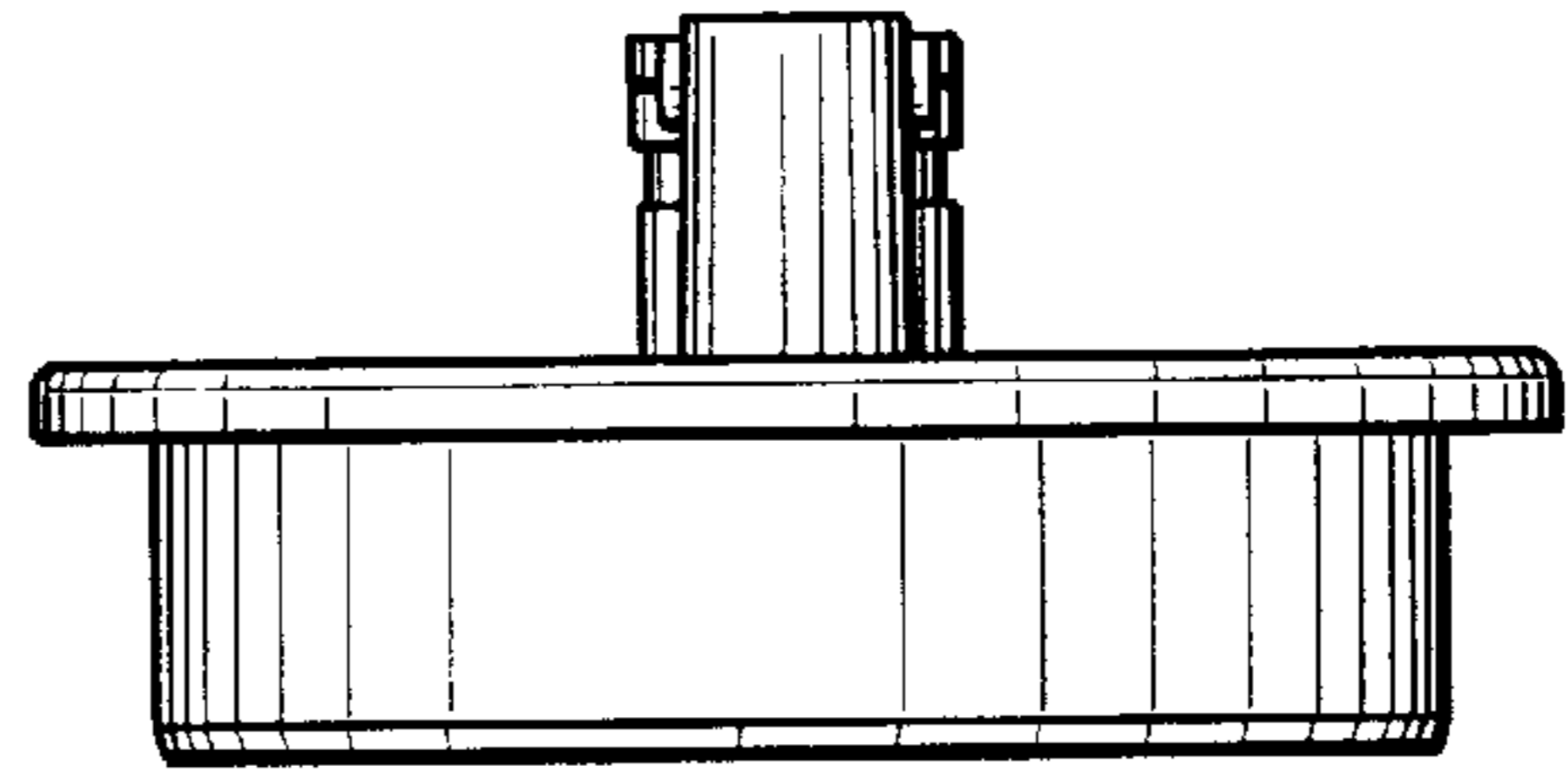


FIG. 3

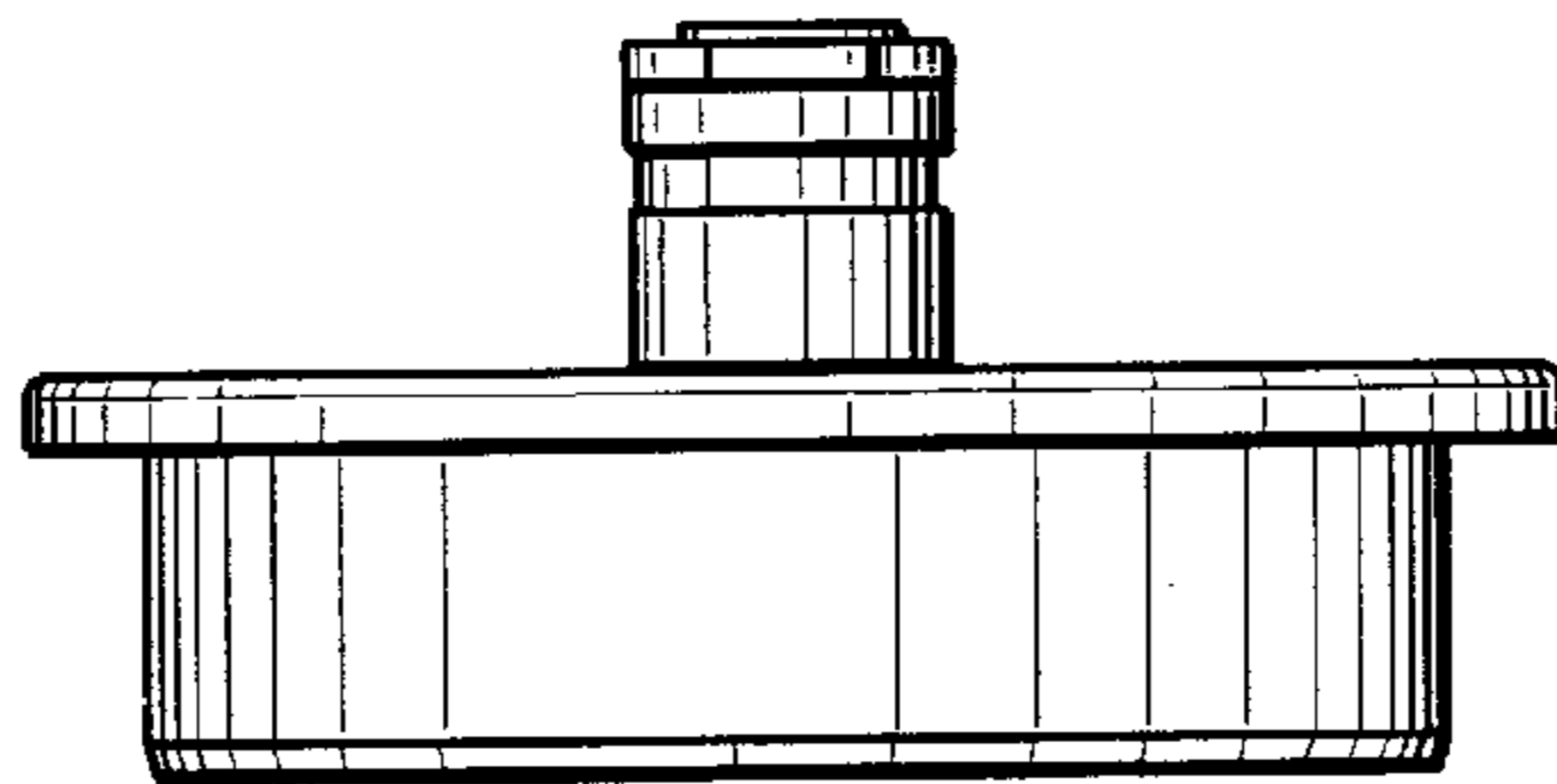


FIG. 4

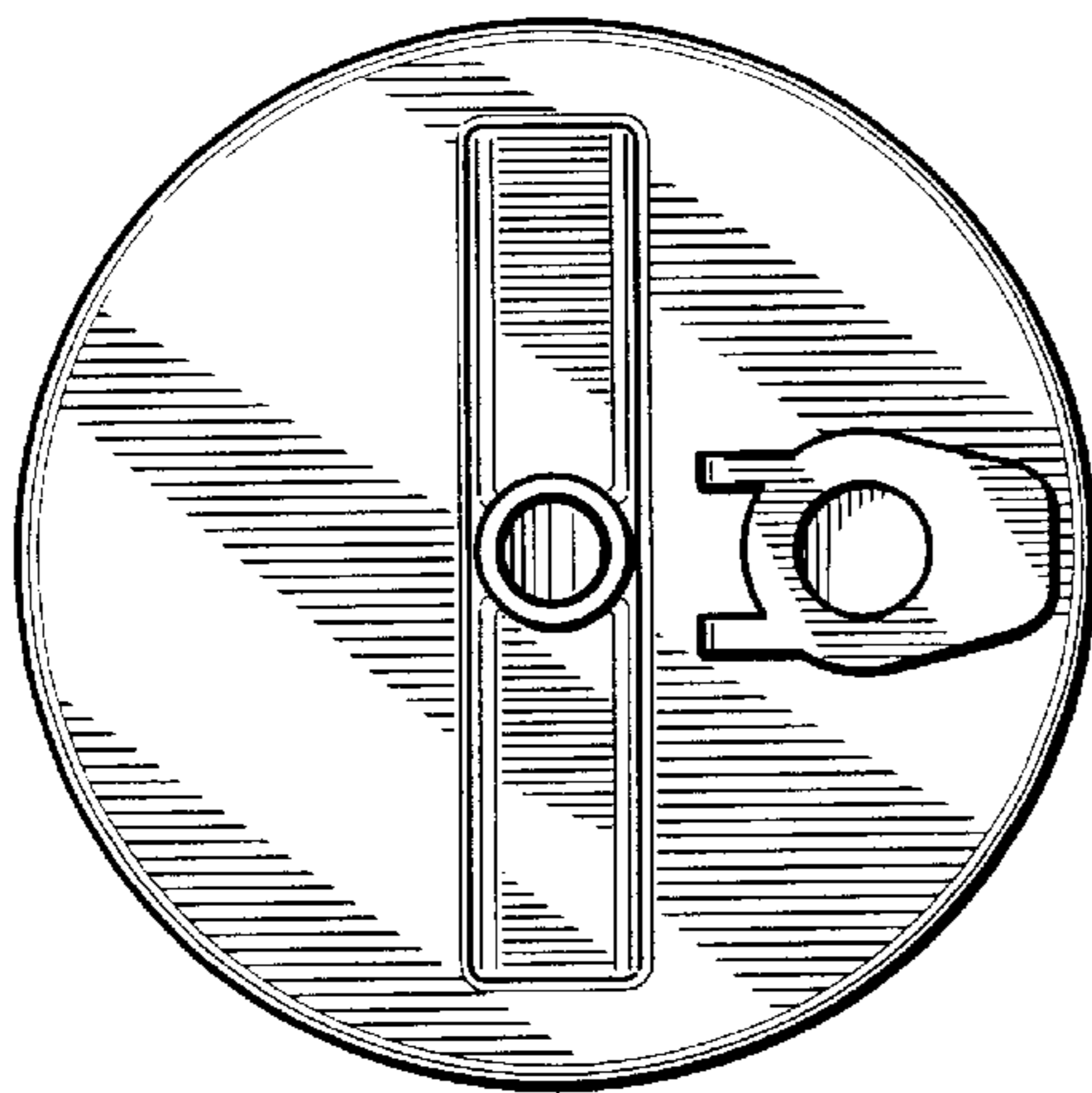


FIG. 5

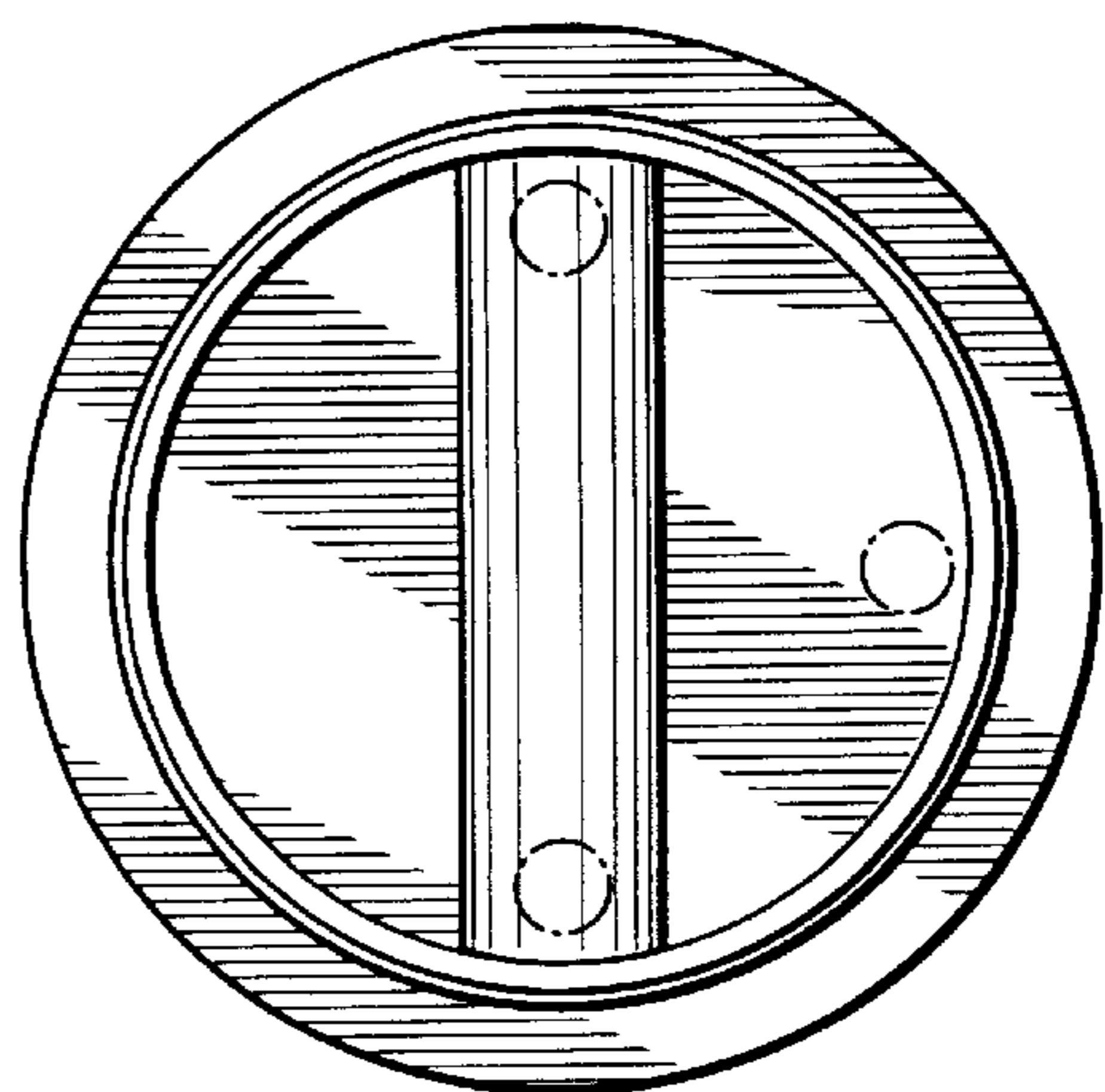


FIG. 6

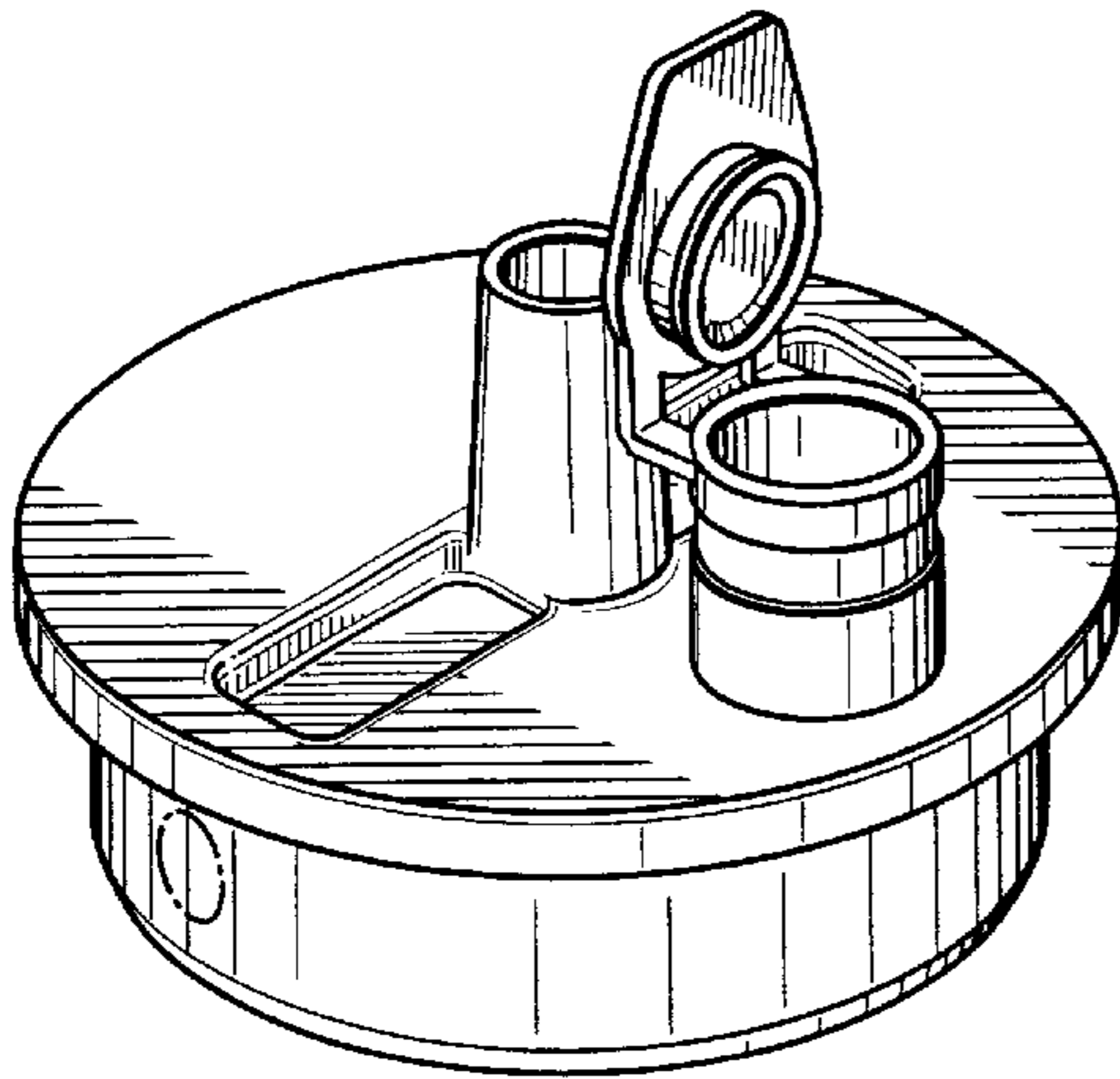


FIG. 8

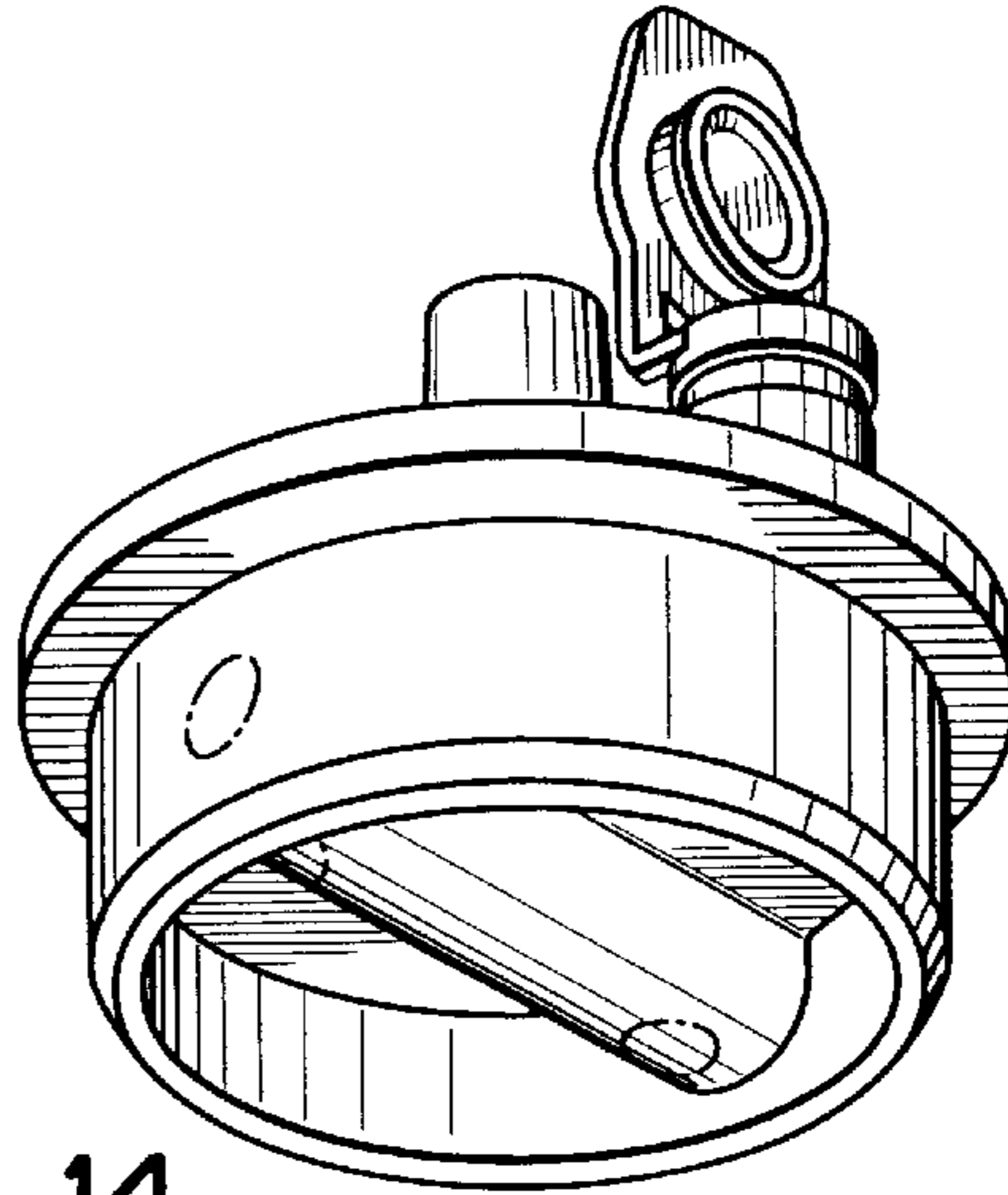


FIG. 14

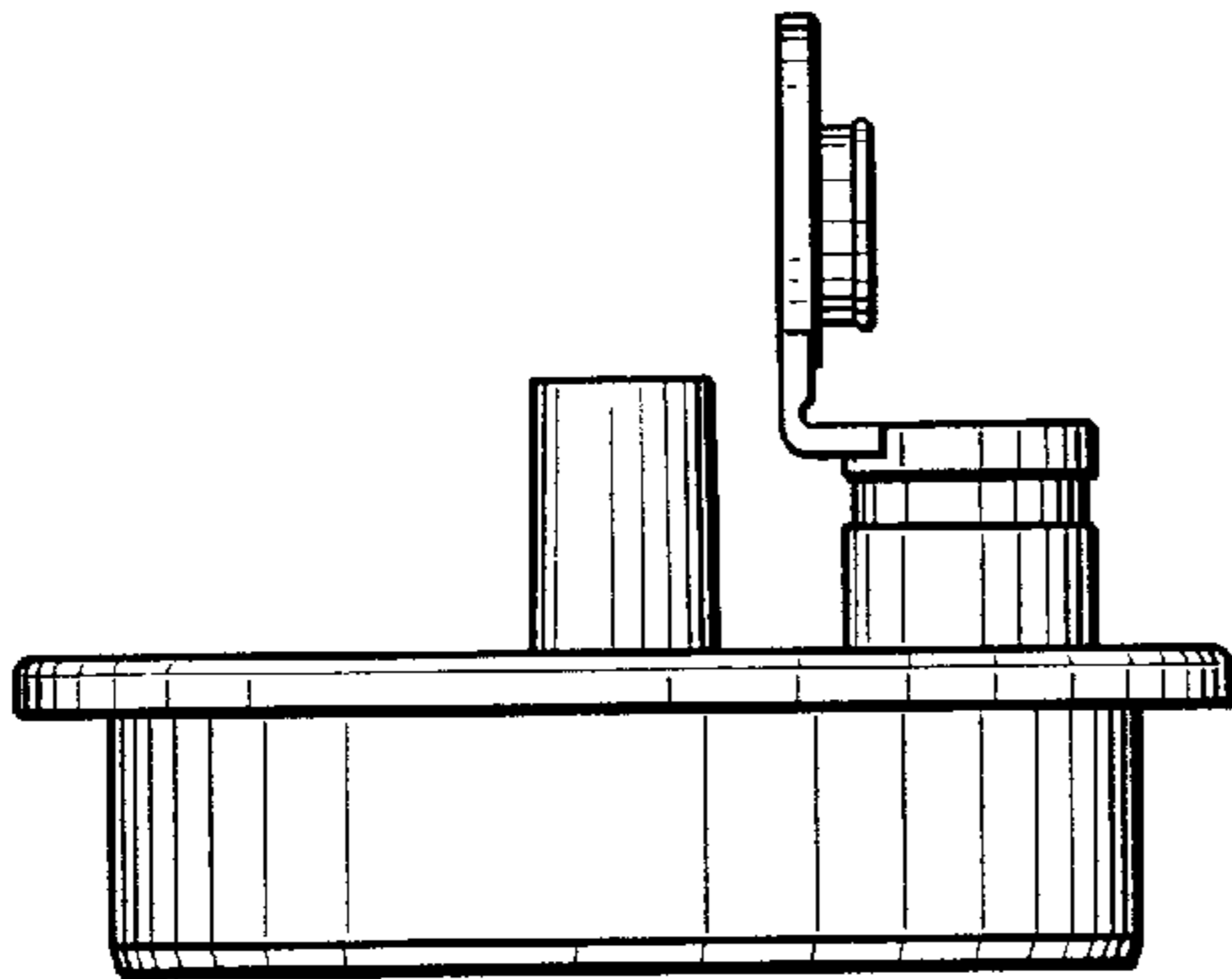


FIG. 9

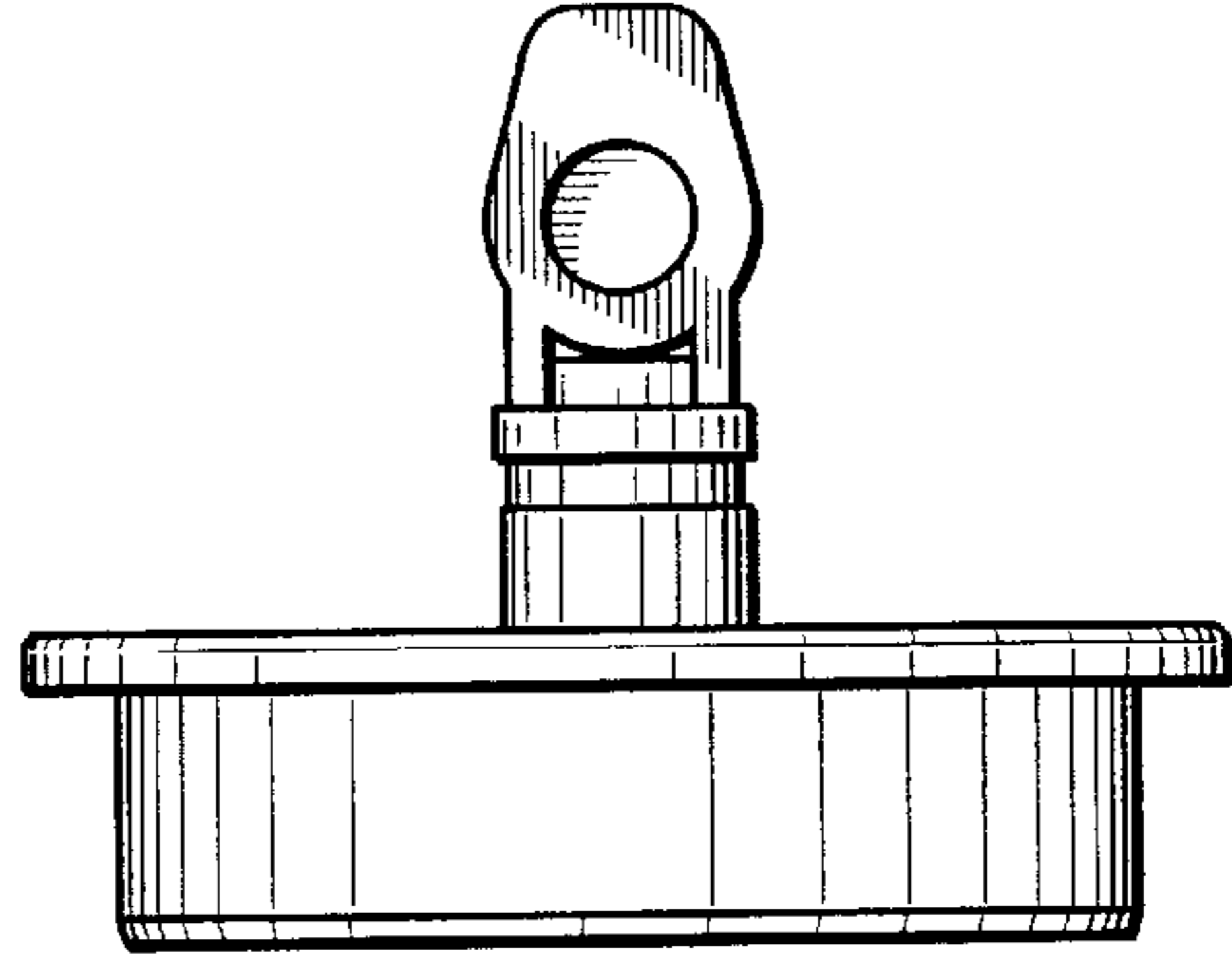


FIG. 10

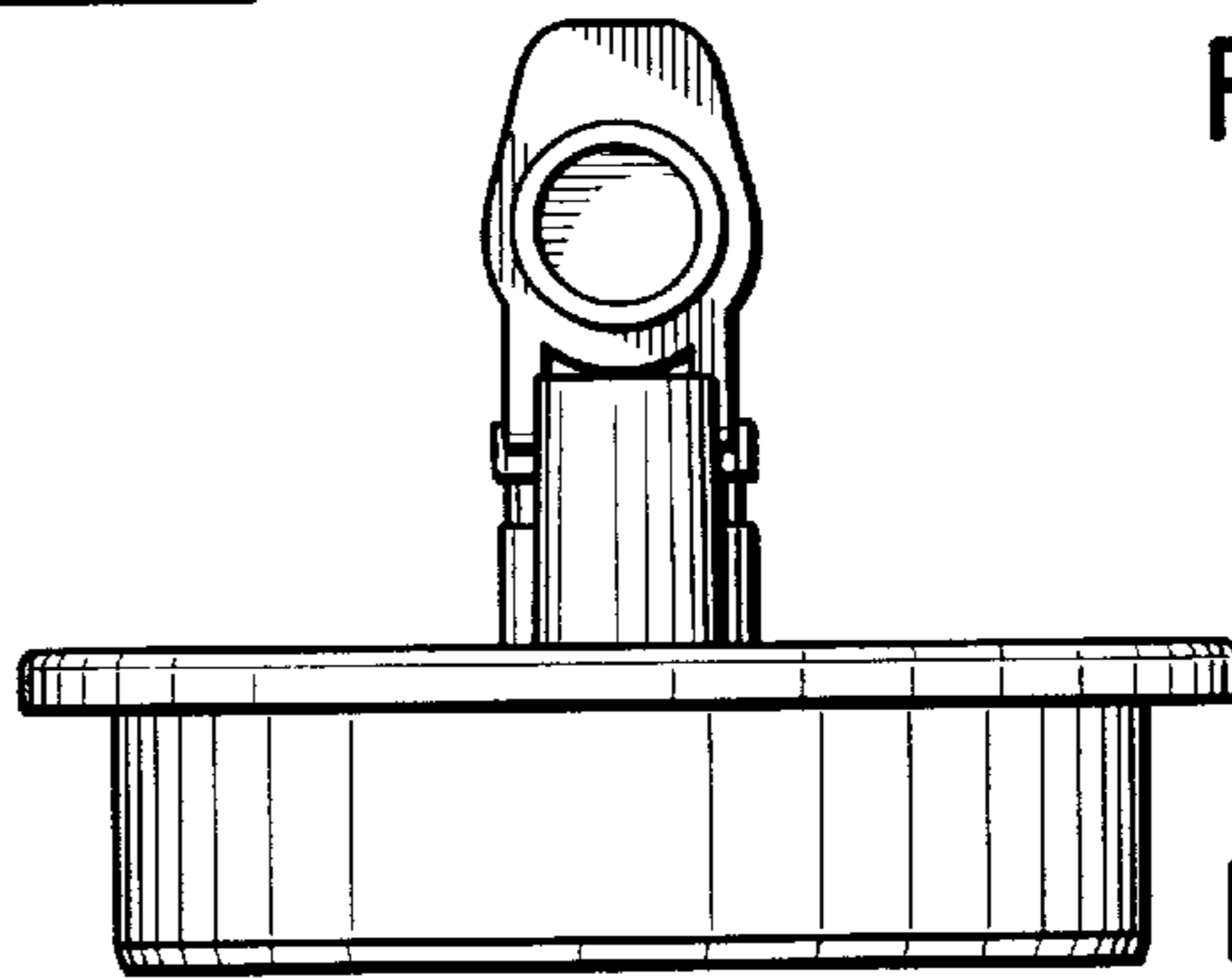


FIG. 11

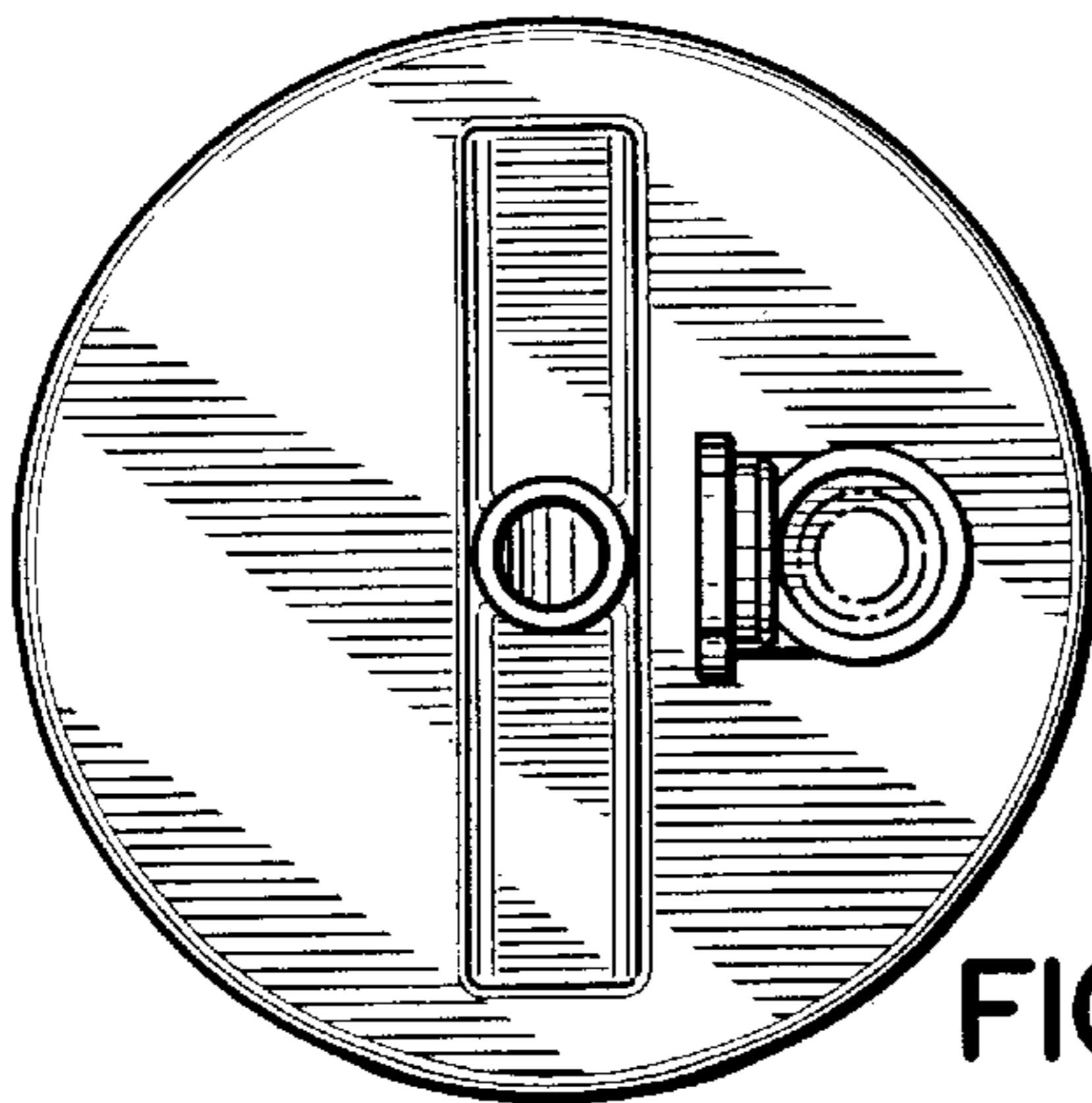


FIG. 12

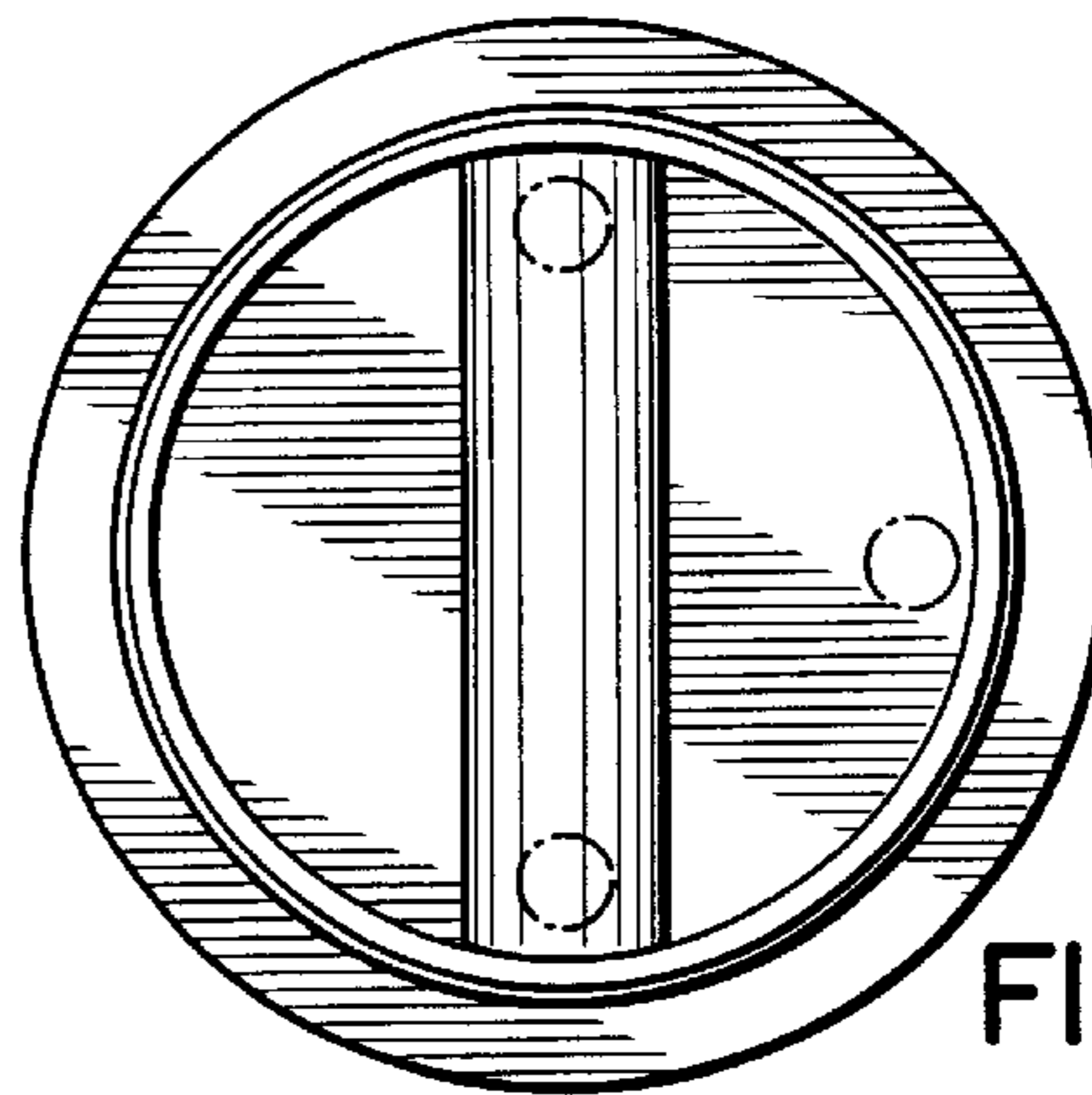


FIG. 13