



US00D491661S

(12) **United States Design Patent**
Ringstrom

(10) **Patent No.:** **US D491,661 S**

(45) **Date of Patent:** **** Jun. 15, 2004**

(54) **IV SAFETY DEVICE**

6,042,568 A * 3/2000 Gomez 604/174
D469,530 S * 1/2003 Gomez D24/130

(76) Inventor: **Barbara J. Ringstrom**, 212
Washington St. 114, Keokuk, IA (US)
52632

* cited by examiner

Primary Examiner—Stella Reid

(**) Term: **14 Years**

(57) **CLAIM**

(21) Appl. No.: **29/174,880**

The ornamental design for an IV safety device, as shown and described.

(22) Filed: **Jan. 28, 2003**

(51) **LOC (7) Cl.** **24-02**

DESCRIPTION

(52) **U.S. Cl.** **D24/130**

FIG. 1 is a side elevation view of an IV safety device, showing my new design;

(58) **Field of Search** D24/130, 131;

FIG. 2 is a rear elevation view thereof;

604/174; 128/DIG. 26, DIG. 6

FIG. 3 is a front elevation view thereof;

(56) **References Cited**

FIG. 4 is a bottom plan view thereof;

U.S. PATENT DOCUMENTS

FIG. 5 is a top plan view thereof; and,

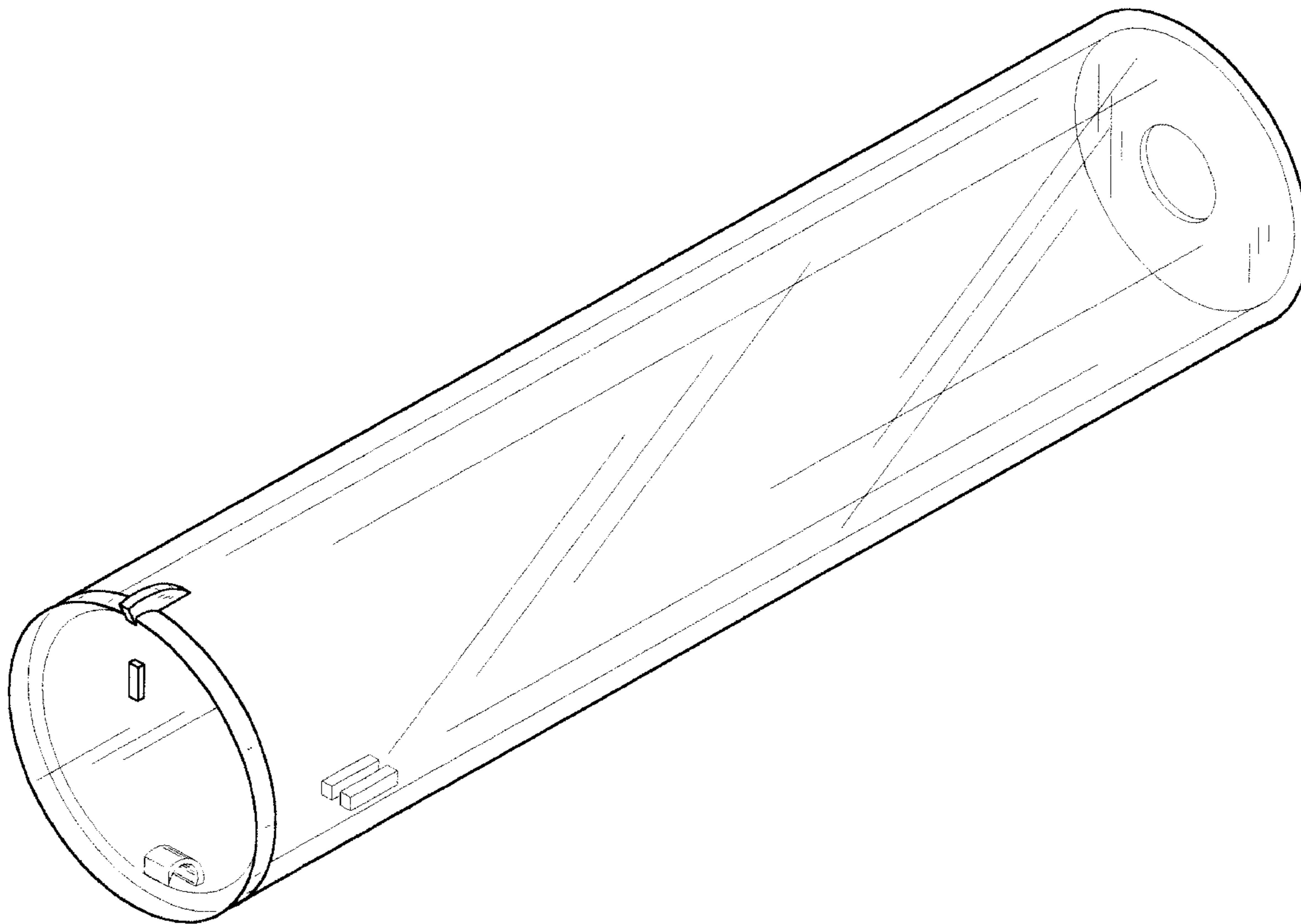
4,870,976 A * 10/1989 Denny 128/877

FIG. 6 is a perspective view thereof.

4,919,150 A * 4/1990 Grant 128/877

5,018,534 A * 5/1991 Grant 128/877

1 Claim, 3 Drawing Sheets



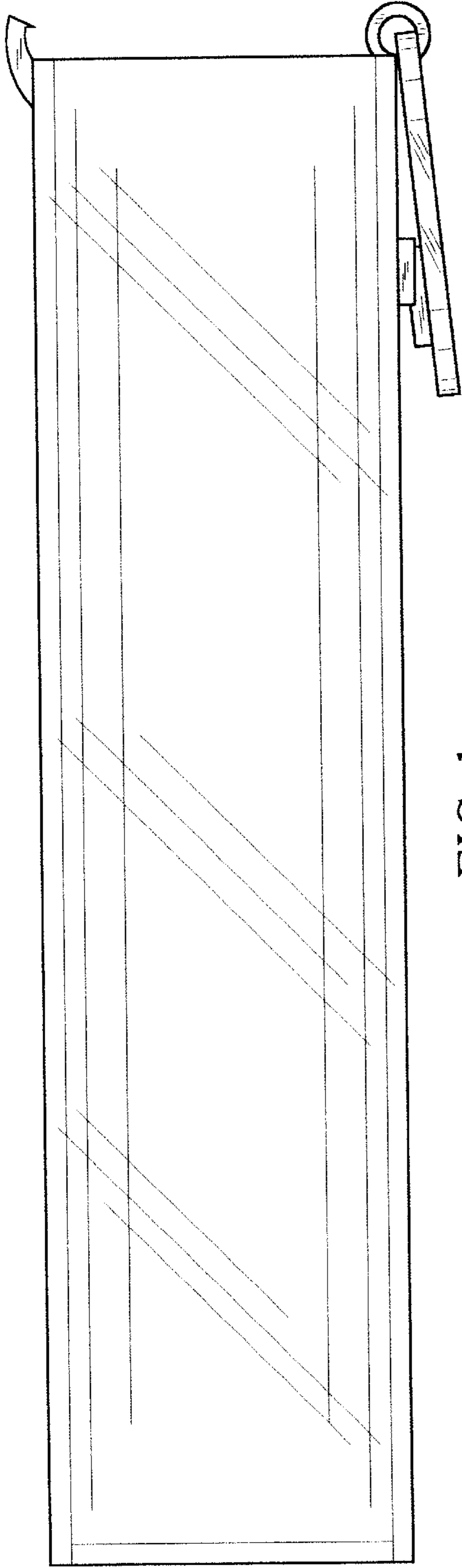


FIG. 1

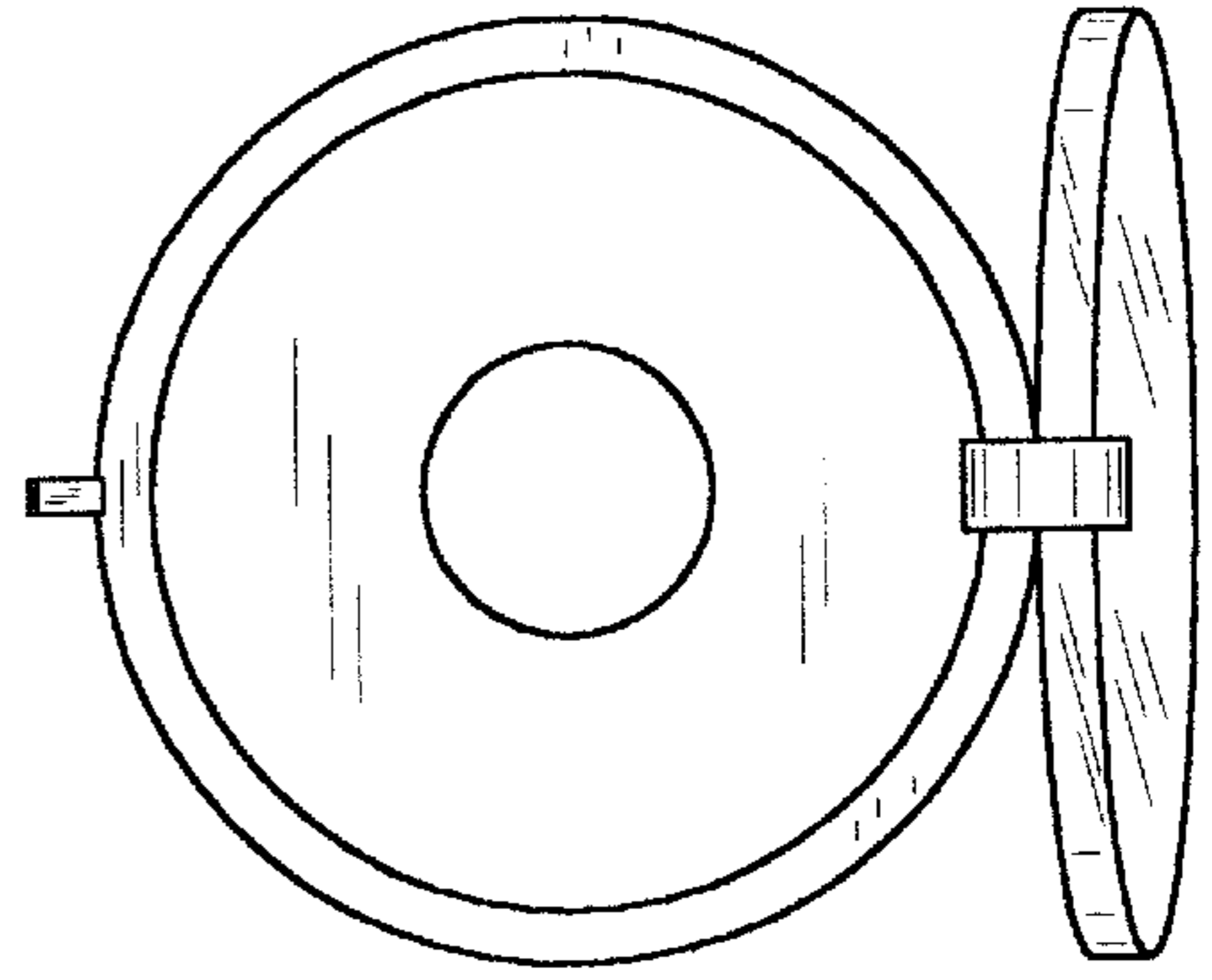


FIG. 3

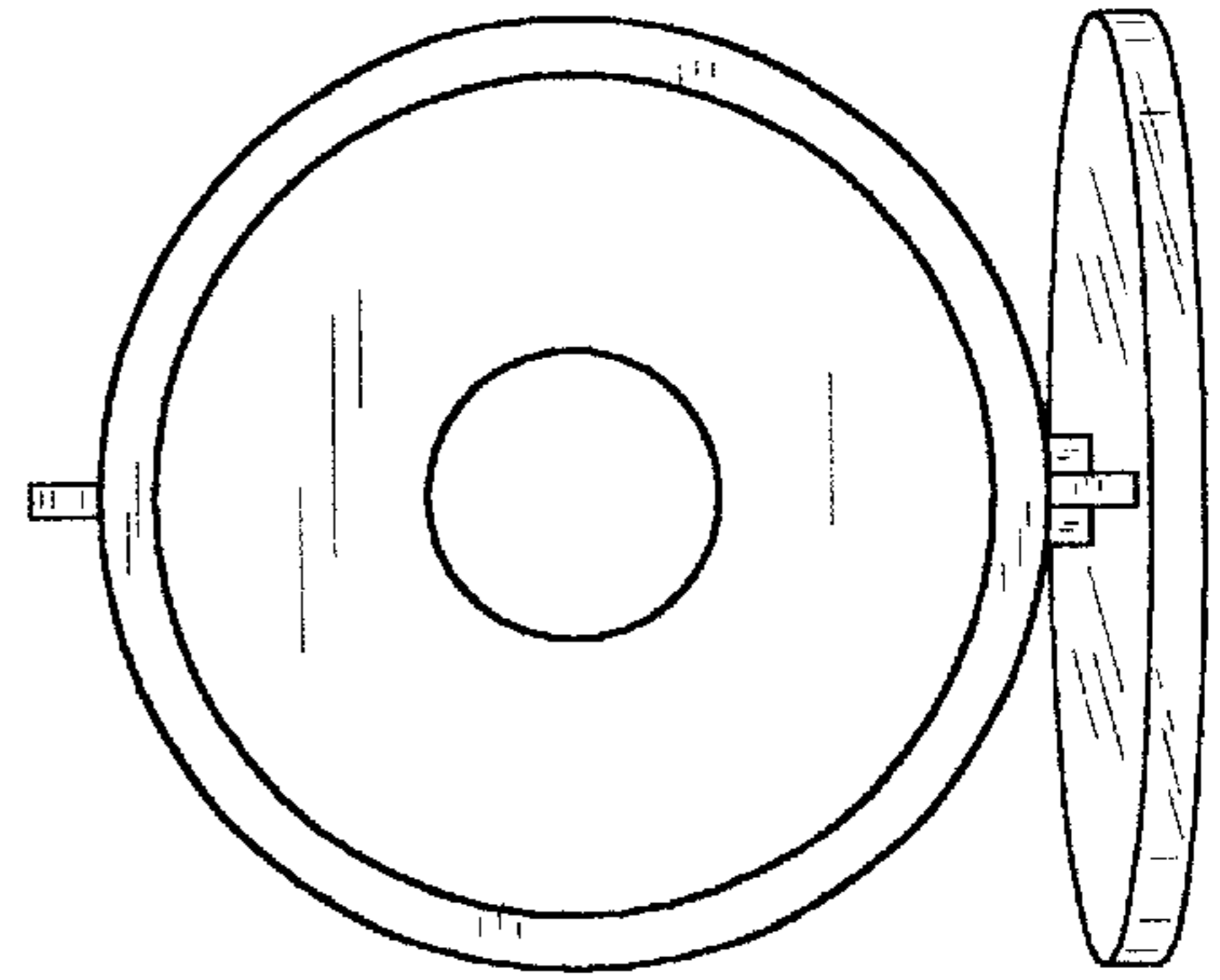


FIG. 2

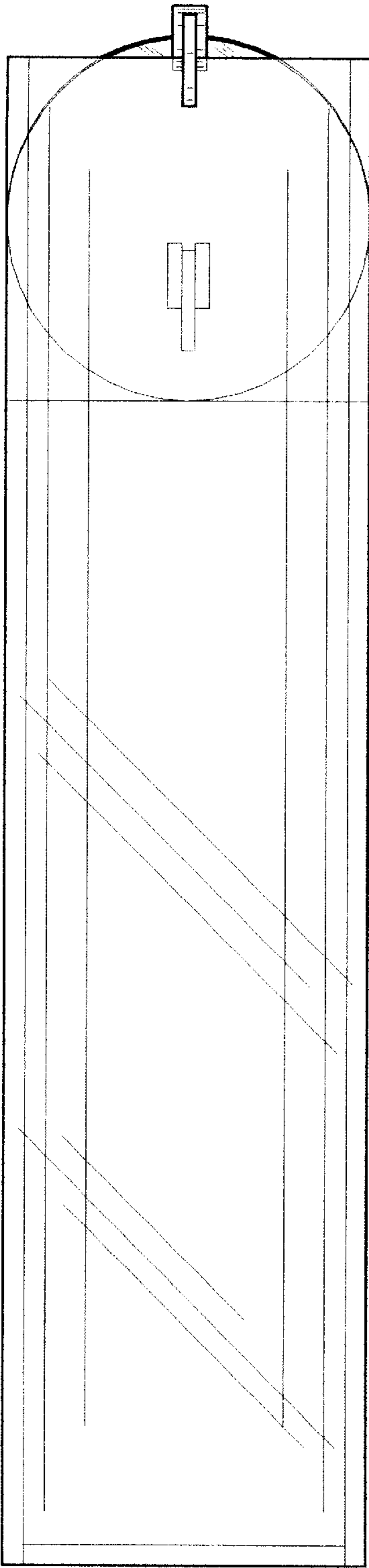


FIG. 4

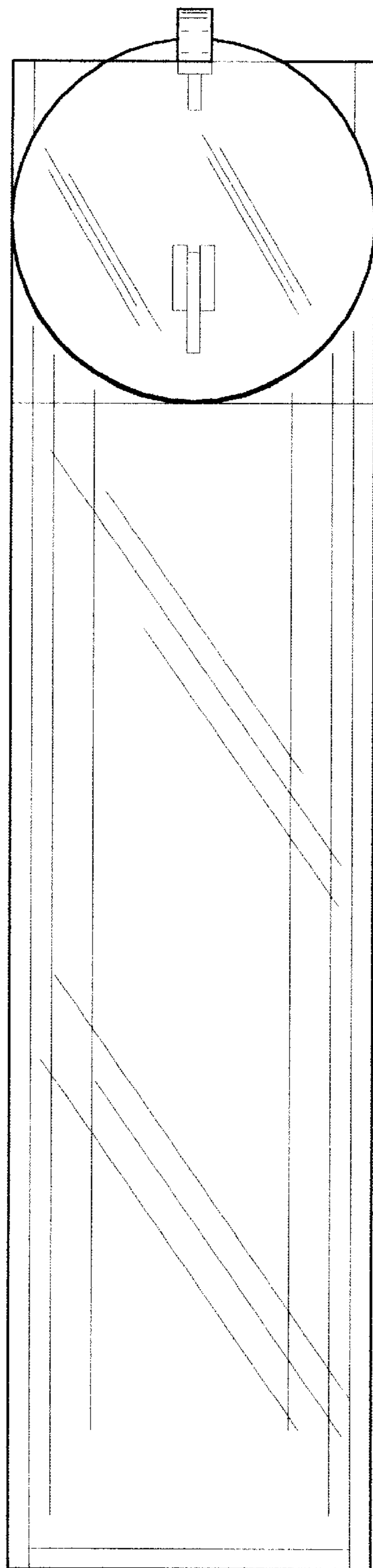


FIG. 5

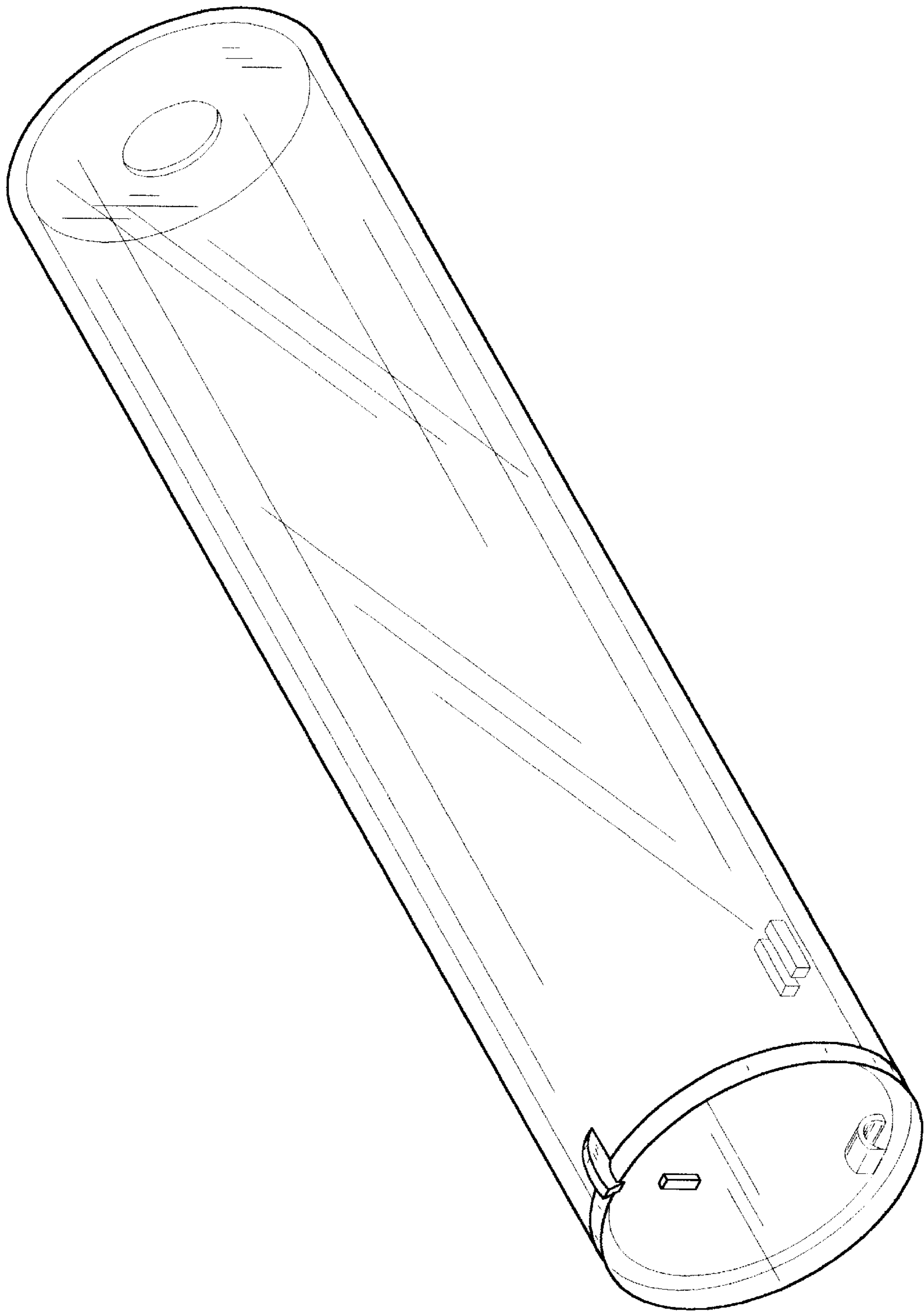


FIG. 6