



US00D491655S

(12) **United States Design Patent**  
**Zhang et al.**

(10) **Patent No.:** **US D491,655 S**

(45) **Date of Patent:** **\*\* Jun. 15, 2004**

(54) **AIR CLEANER**

(75) Inventors: **Zhiqun Zhang**, Roseville, MN (US);  
**Robert M. Swinehart**, Marine on St.  
Croix, MN (US)

(73) Assignee: **3M Innovative Properties Company**,  
St. Paul, MN (US)

(\*\*) Term: **14 Years**

(21) Appl. No.: **29/187,762**

(22) Filed: **Aug. 5, 2003**

(51) **LOC (7) Cl.** ..... **23-04**

(52) **U.S. Cl.** ..... **D23/364**

(58) **Field of Search** ..... D23/355, 364,  
D23/365; 55/356, 471-3; D14/125-6

(56) **References Cited**

**U.S. PATENT DOCUMENTS**

D270,467 S	*	9/1983	Fowler et al.	.....	D23/364
D379,220 S	*	5/1997	Ellwood	.....	D23/364
D447,124 S	*	8/2001	Morimiya et al.	.....	D14/126
D450,825 S	*	11/2001	Nakamura et al.	.....	D23/364

D451,181 S \* 11/2001 Miwa ..... D23/364

D457,230 S \* 5/2002 Huang ..... D23/364

D459,457 S \* 6/2002 Pillion et al. .... D23/364

D459,458 S \* 6/2002 Pillion et al. .... D23/364

D471,883 S \* 3/2003 Sugiyama et al. .... D14/126

\* cited by examiner

*Primary Examiner*—Robin V. Taylor

(74) *Attorney, Agent, or Firm*—Gary L. Griswold; Robert  
W. Sprague; William J. Bond

(57) **CLAIM**

The ornamental design for a air cleaner, as shown and  
described.

**DESCRIPTION**

FIG. 1 is a perspective view of an air cleaning device,  
showing our new design;

FIG. 2 is a right view of FIG. 1;

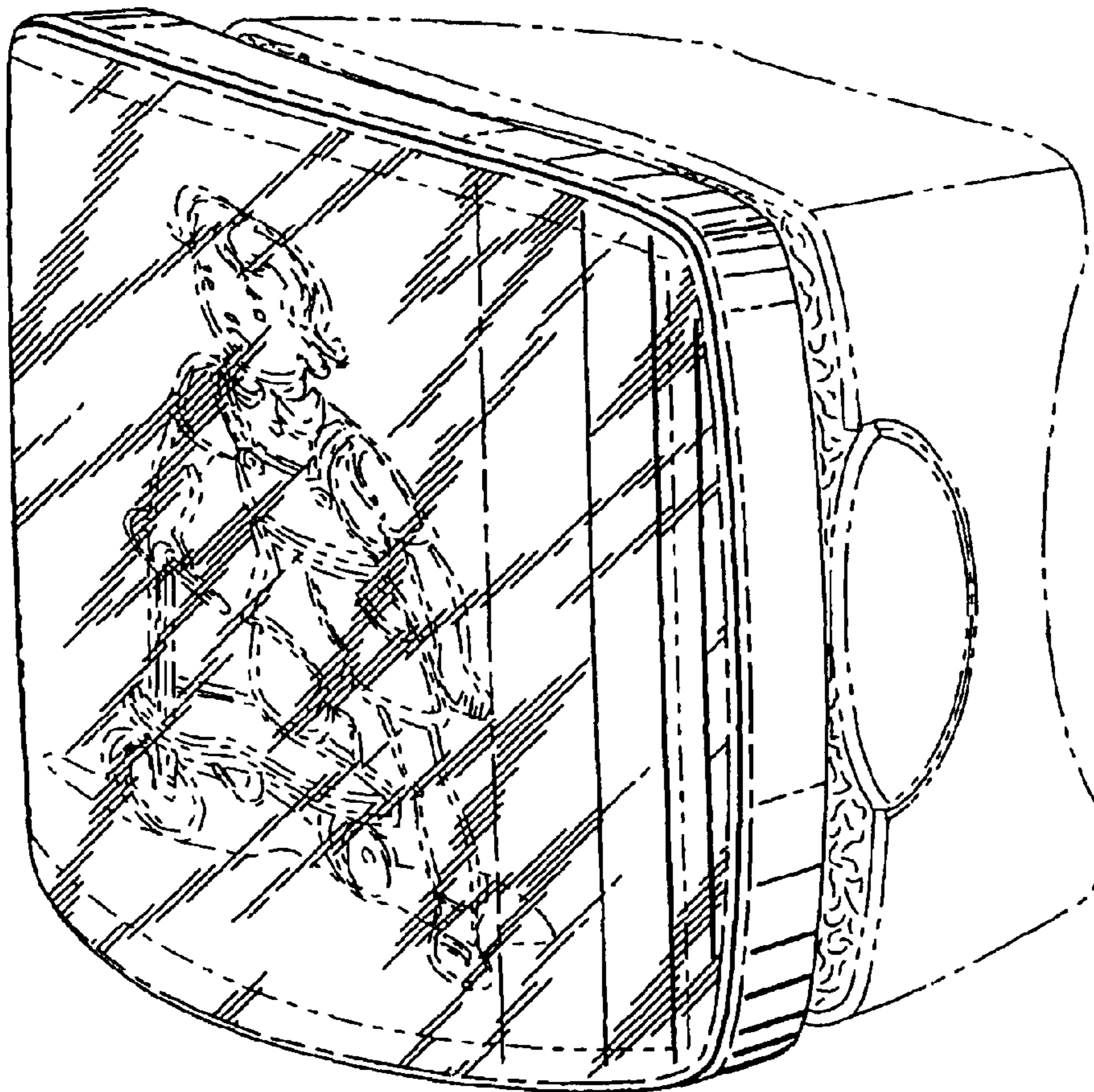
FIG. 3 is a left view of FIG. 1;

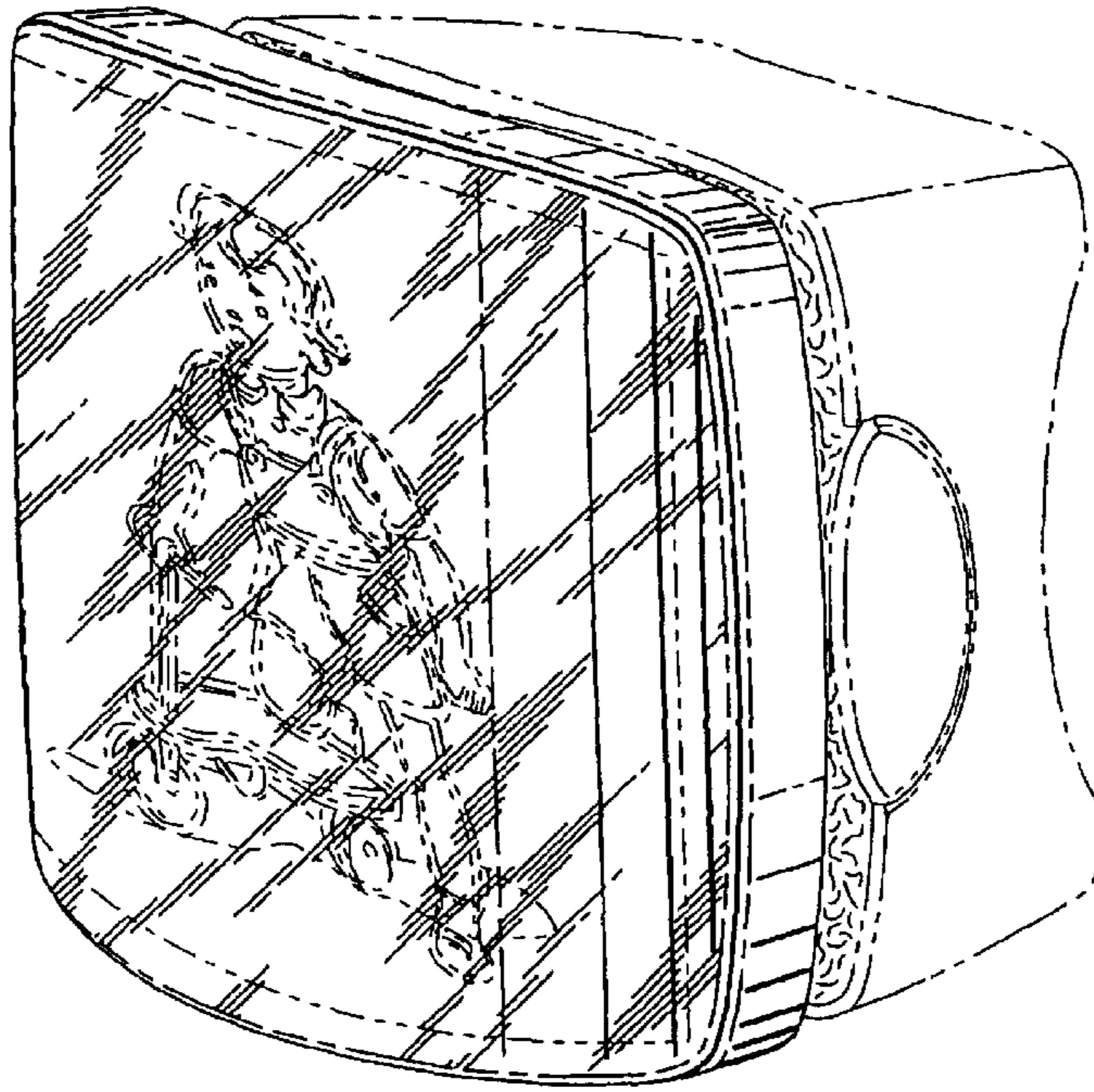
FIG. 4 is a top view of FIG. 1; and,

FIG. 5 is front view of FIG. 1.

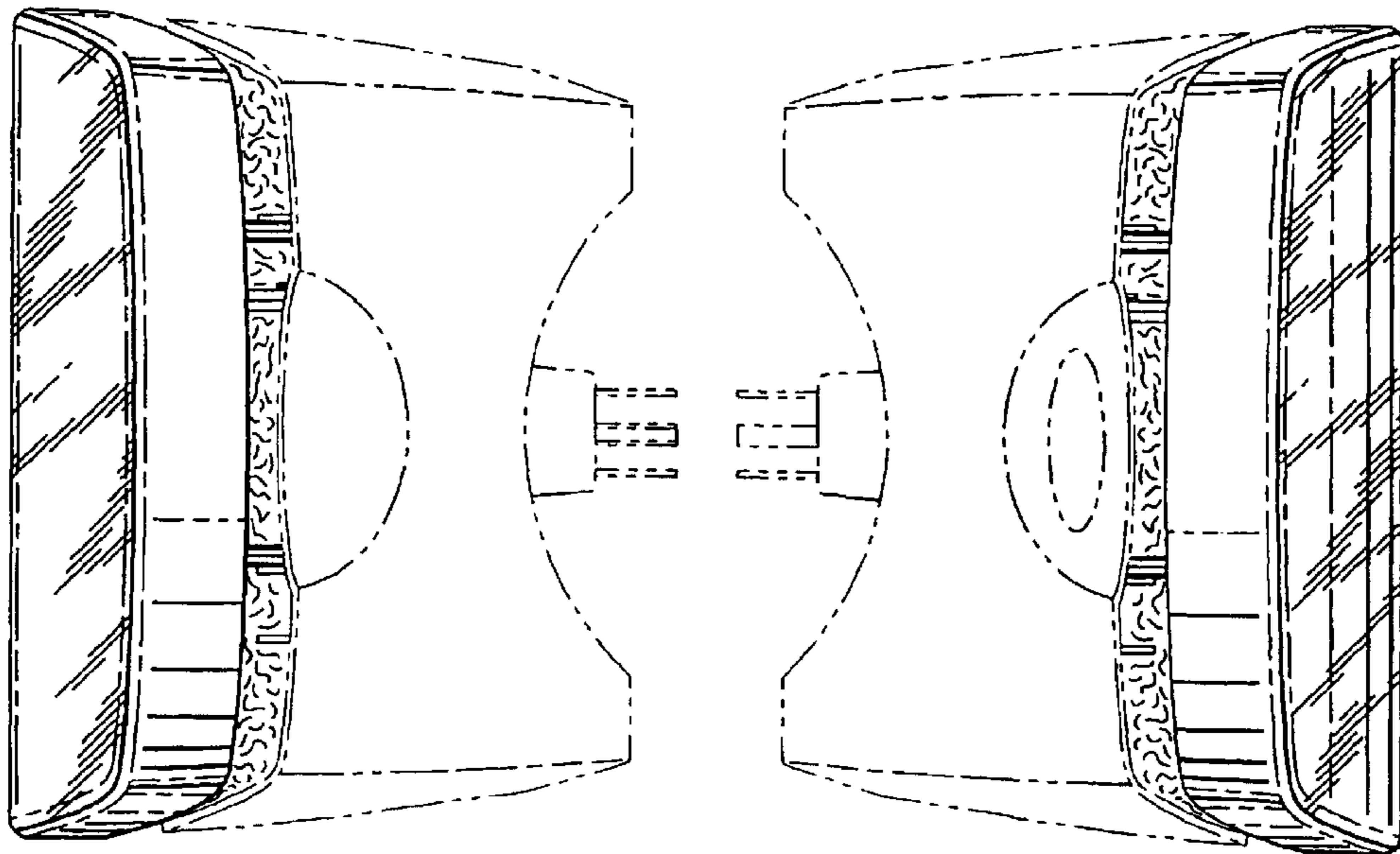
The phantom line shown in the drawings forms no part of the  
claimed design(s).

**1 Claim, 2 Drawing Sheets**



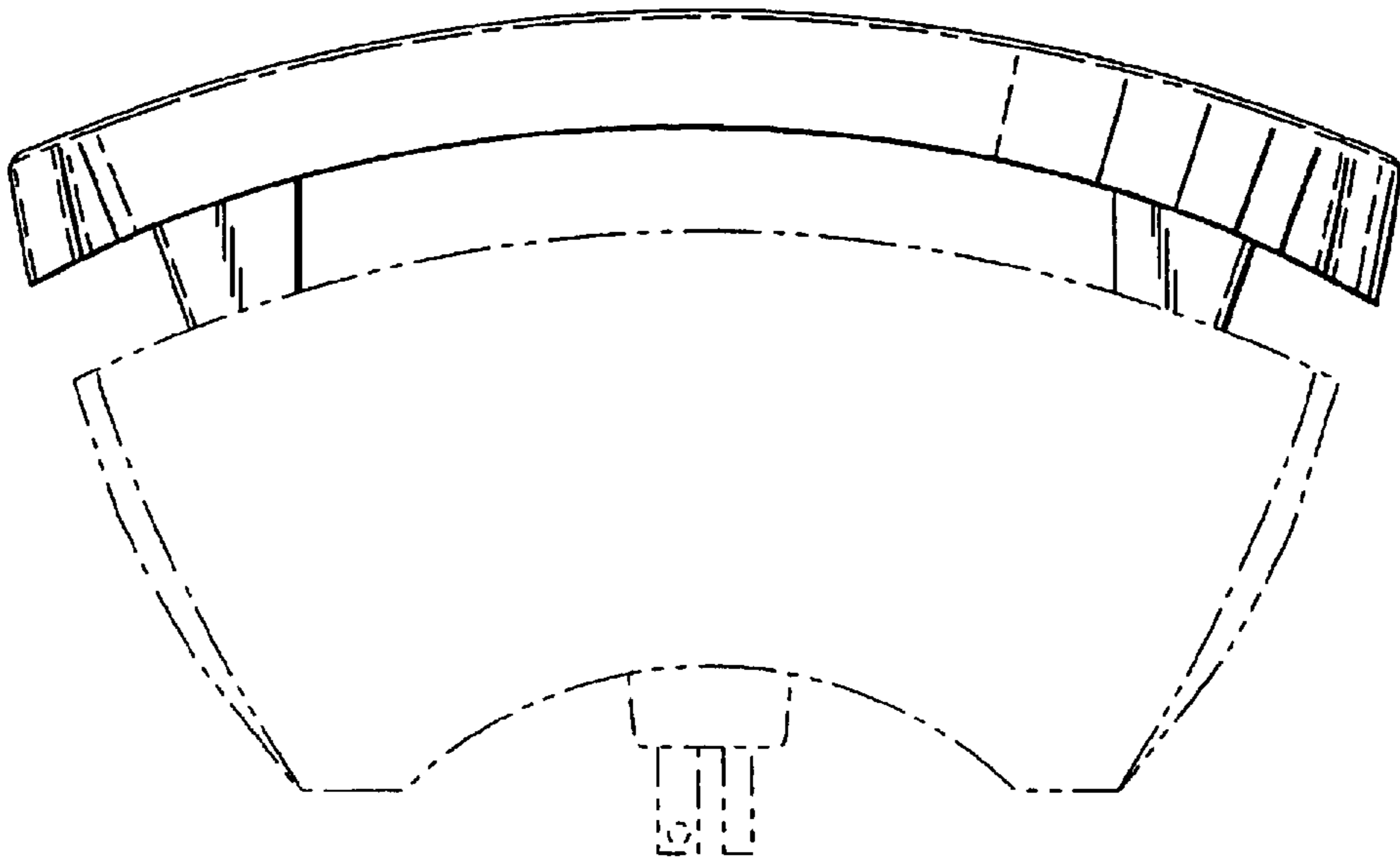


*Fig. 1*

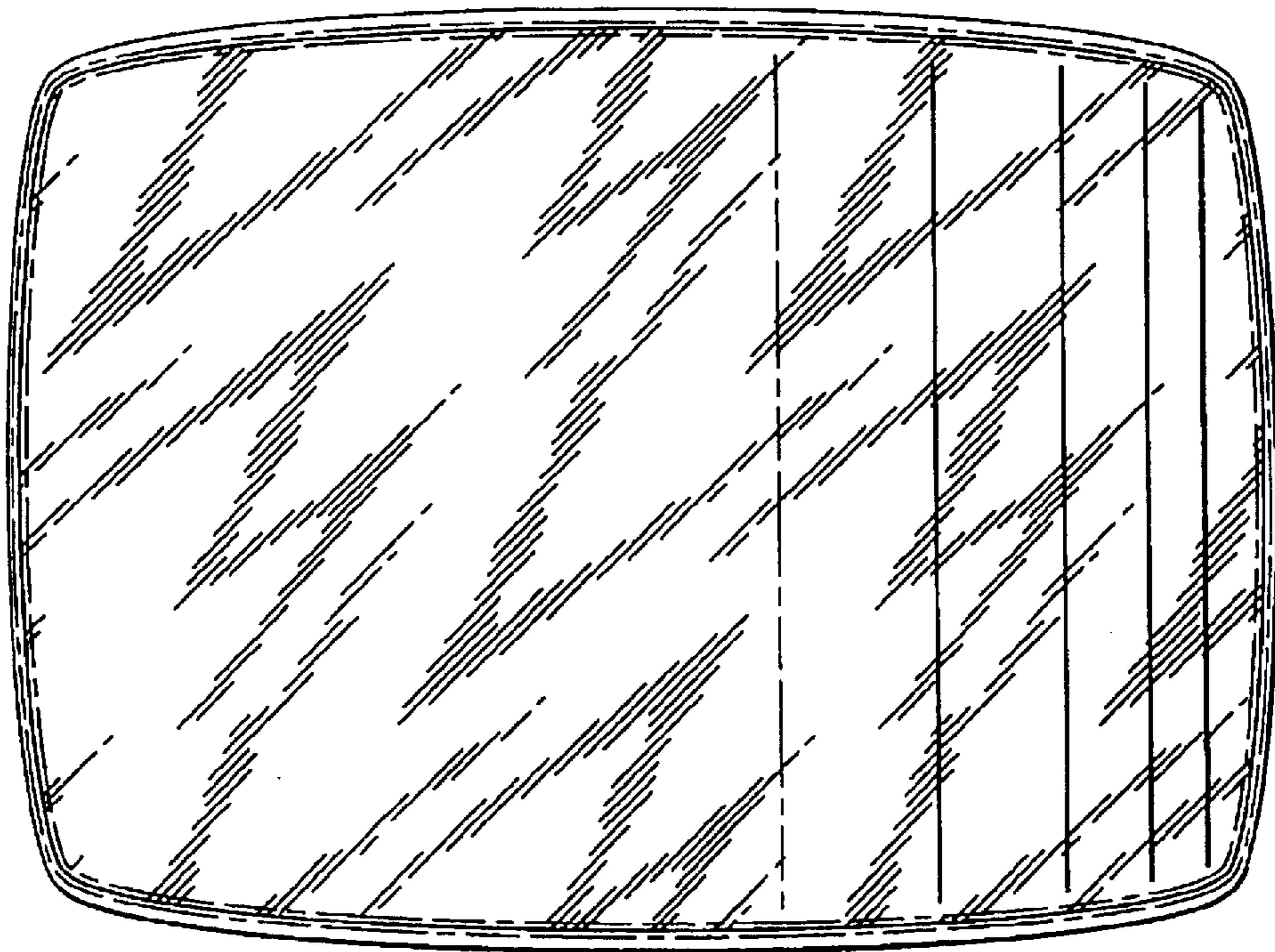


*Fig. 2*

*Fig. 3*



*Fig. 4*



*Fig. 5*