



US00D491653S

(12) **United States Design Patent**
Warren

(10) **Patent No.:** **US D491,653 S**

(45) **Date of Patent:** **** Jun. 15, 2004**

(54) **STOVE OR HEATER**

(75) Inventor: **Paul Michael Warren**, Wooburn Green (GB)

(73) Assignee: **Bitech Engineering**, Dunleer (IE)

(**) Term: **14 Years**

(21) Appl. No.: **29/158,697**

(22) Filed: **Apr. 4, 2002**

(30) **Foreign Application Priority Data**

Oct. 15, 2001 (GB) 2105598

(51) **LOC (7) Cl.** **23-03**

(52) **U.S. Cl.** **D23/350**

(58) **Field of Search** D23/332, 343, D23/342, 345-350; 126/110 B, 90 A, 92 A, 519, 548, 500, 544, 551, 554, 547

(56) **References Cited**

U.S. PATENT DOCUMENTS

- D249,544 S * 9/1978 Bonney D23/343
- D263,493 S * 3/1982 Russo D23/343
- D265,120 S * 6/1982 Henriques D23/343
- D274,459 S * 6/1984 Fellows D23/350
- D277,129 S * 1/1985 Larson et al. D23/350

- D294,386 S * 2/1988 Tonks D23/342
- D311,441 S * 10/1990 Greene D23/346
- D313,070 S * 12/1990 Greene D23/346

* cited by examiner

Primary Examiner—B. J. Bullock

(74) *Attorney, Agent, or Firm*—Knobbe, Martens, Olson & Bear, LLP

(57) **CLAIM**

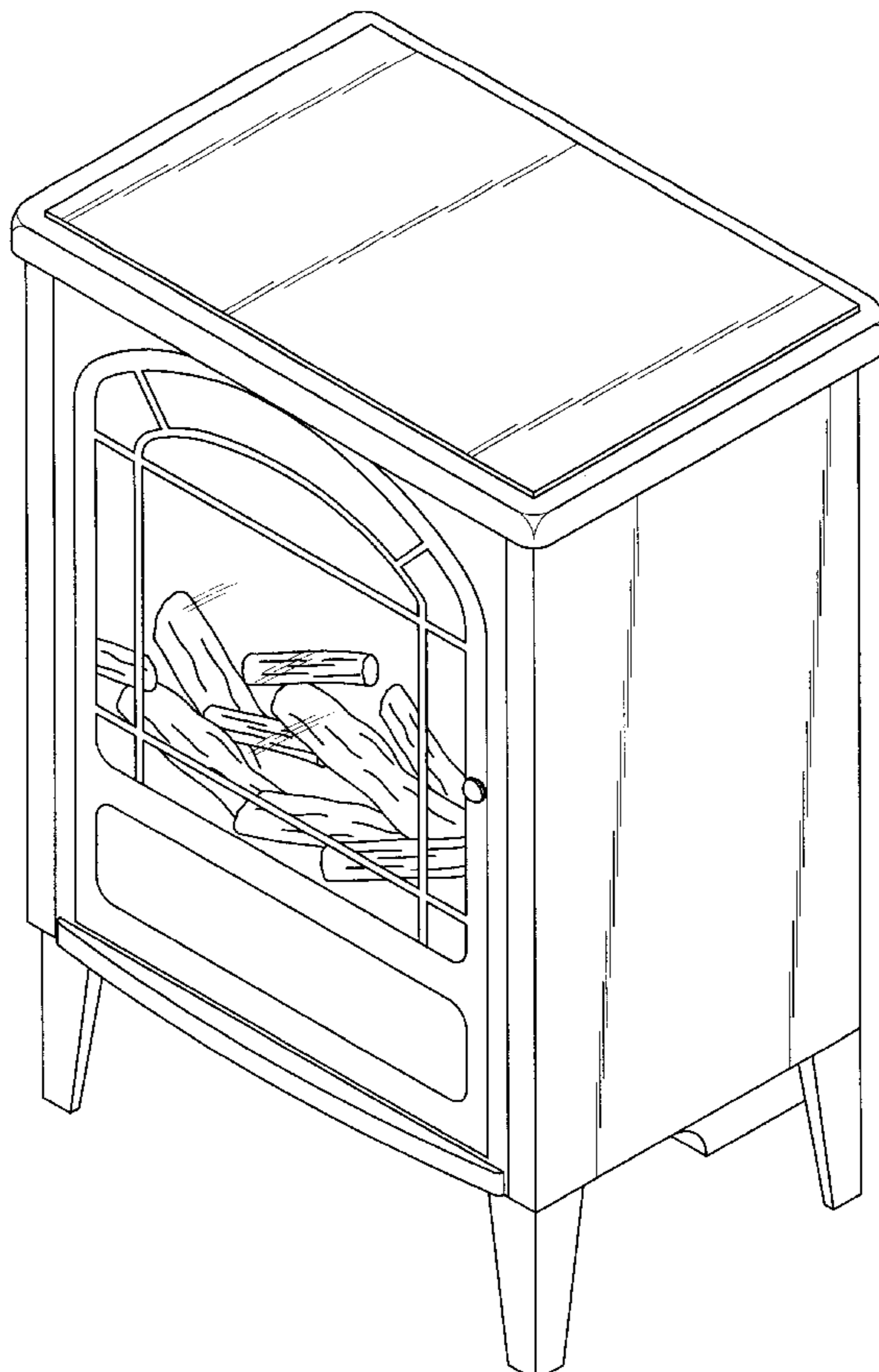
The ornamental design for a stove or heater, as shown and described.

DESCRIPTION

FIG. 1 is a perspective view showing the stove or heater embodying the new design;
 FIG. 2 is a perspective view showing the stove or heater embodying the new design;
 FIG. 3 is a front elevational view thereof;
 FIG. 4 is a rear elevational view thereof;
 FIG. 5 is a top plan view thereof;
 FIG. 6 is a bottom plan view thereof;
 FIG. 7 is a side elevational view thereof; and,
 FIG. 8 is a side elevational view thereof.

The broken lines are for illustrative purposes only and form no part of the claimed design.

1 Claim, 5 Drawing Sheets



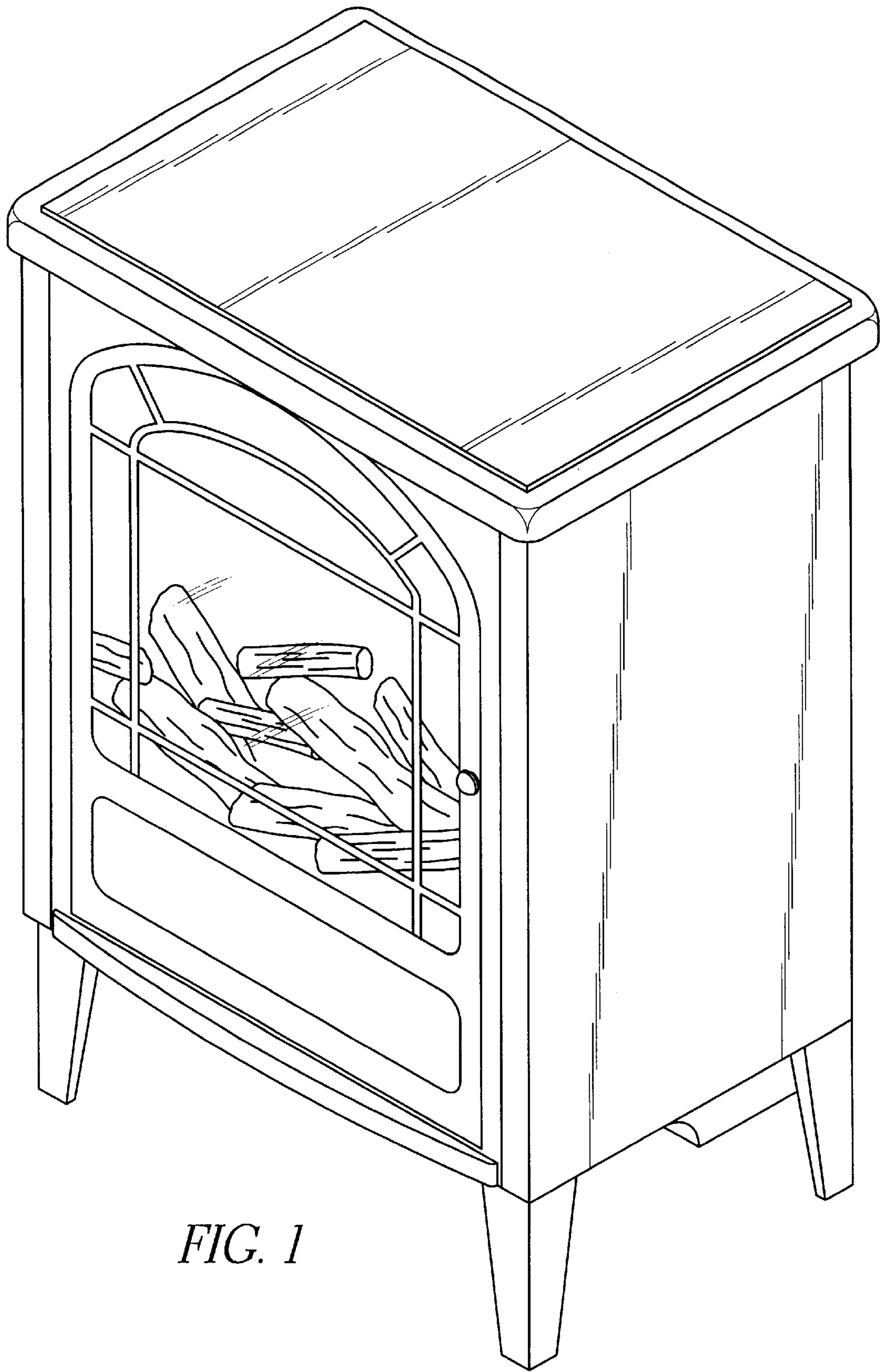


FIG. 1

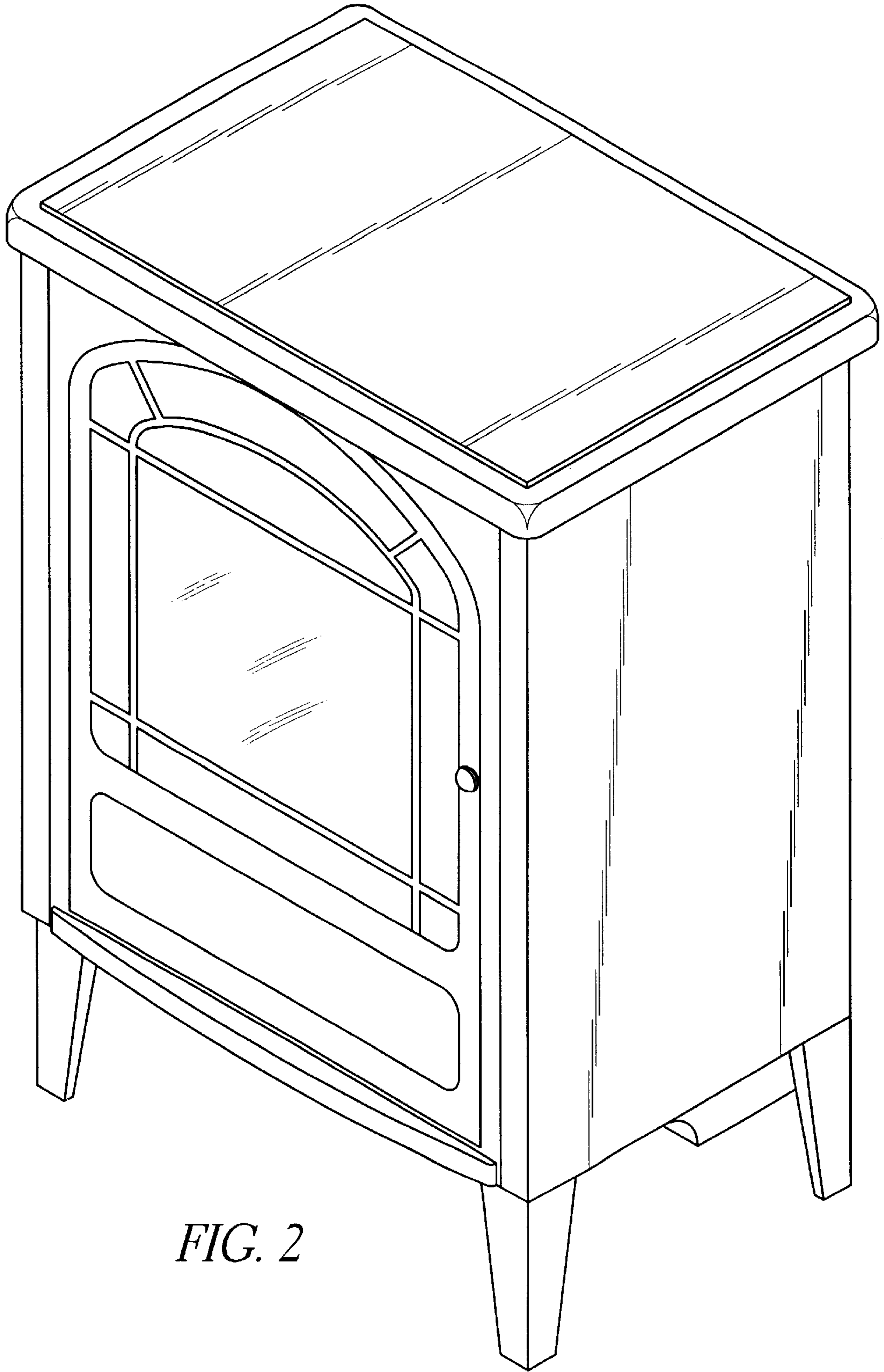


FIG. 2

FIG. 4

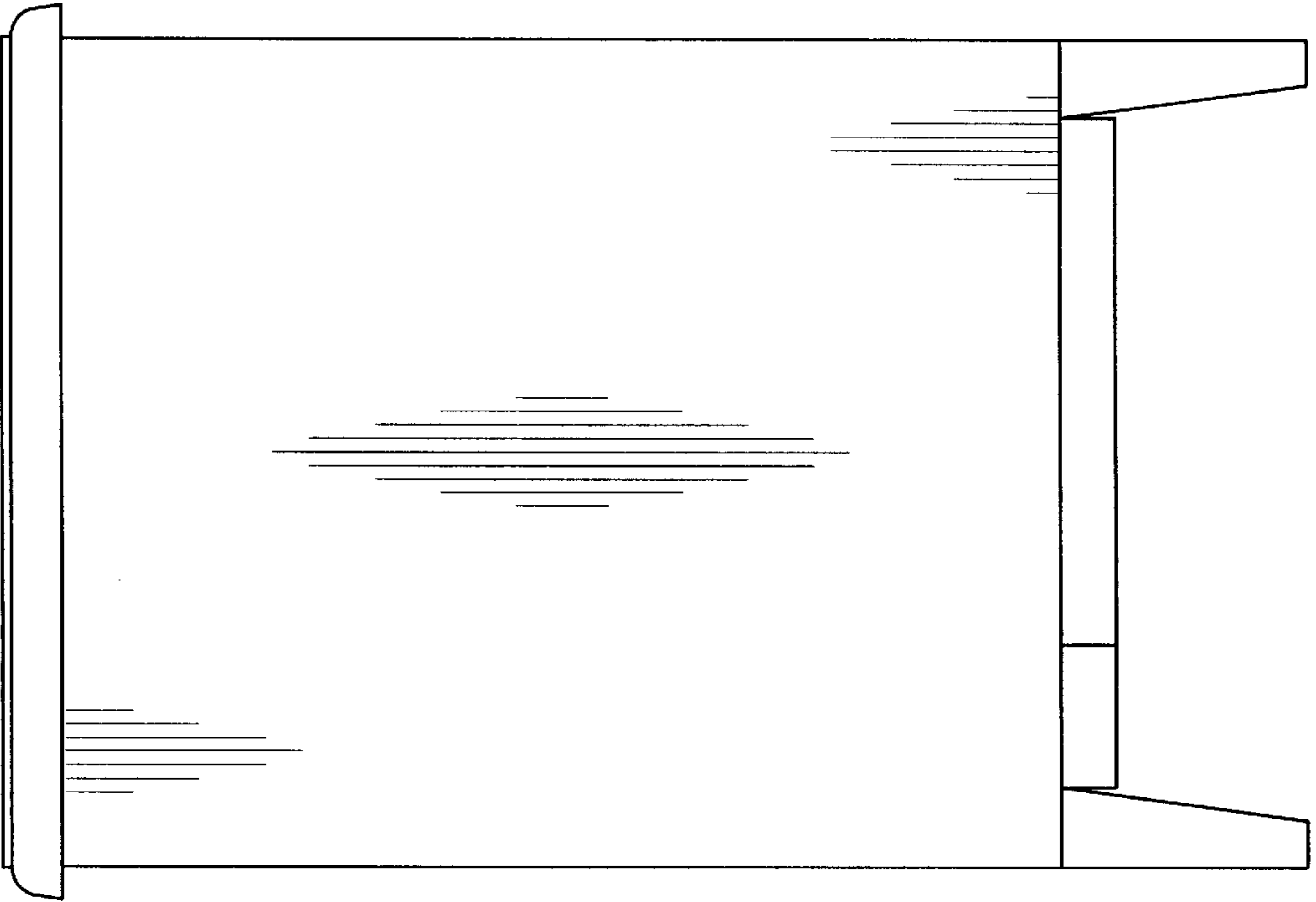
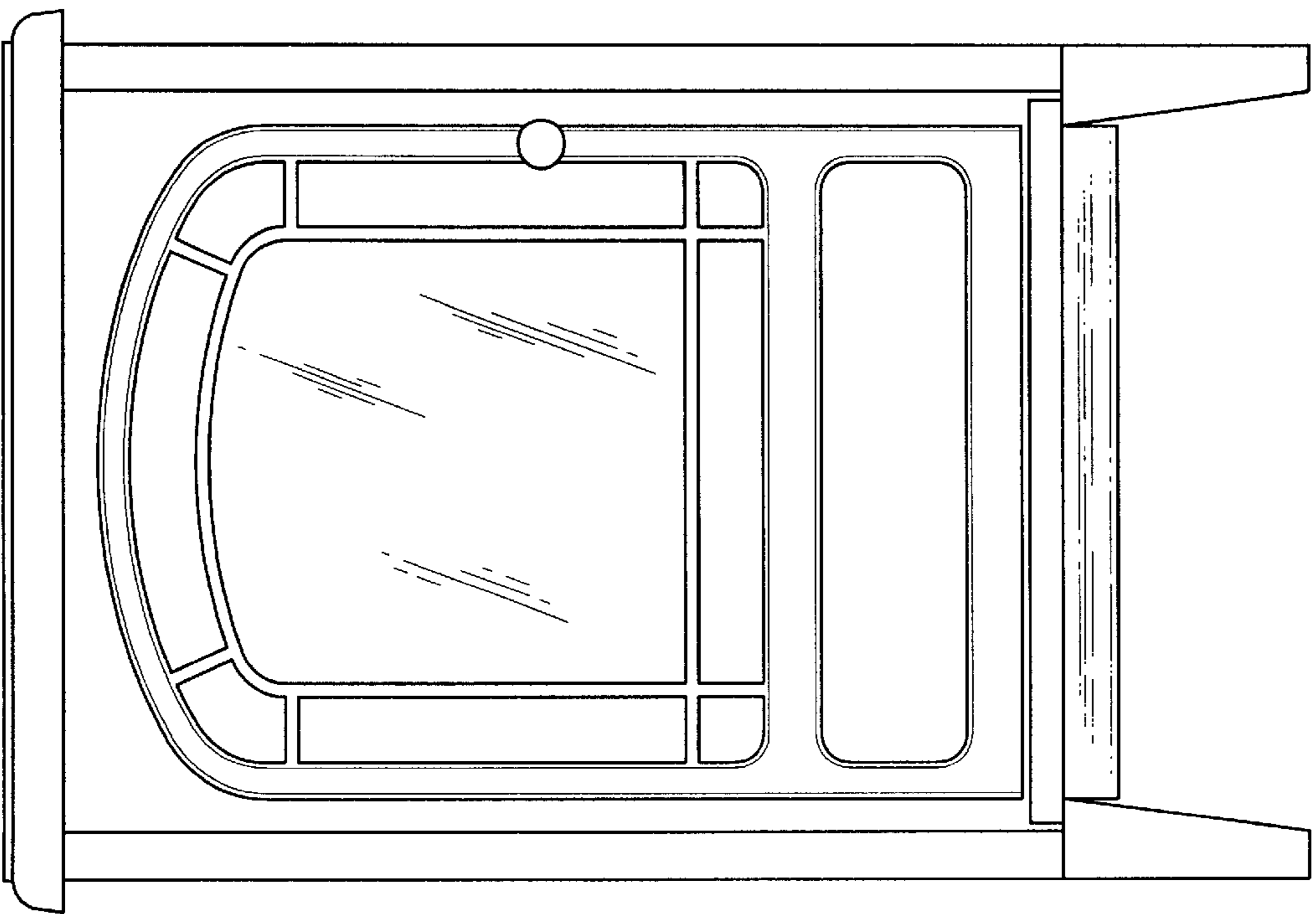


FIG. 3



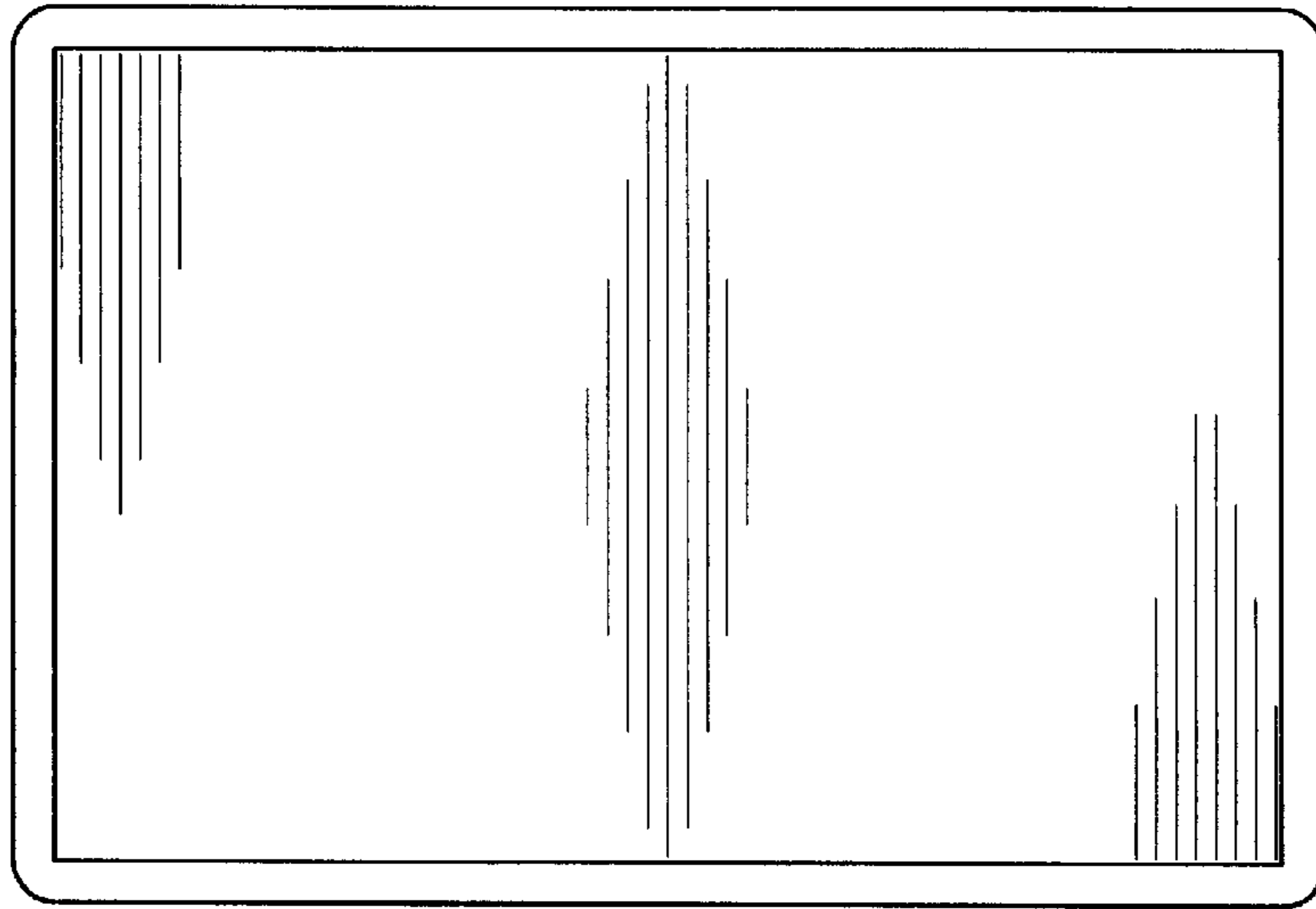


FIG. 5

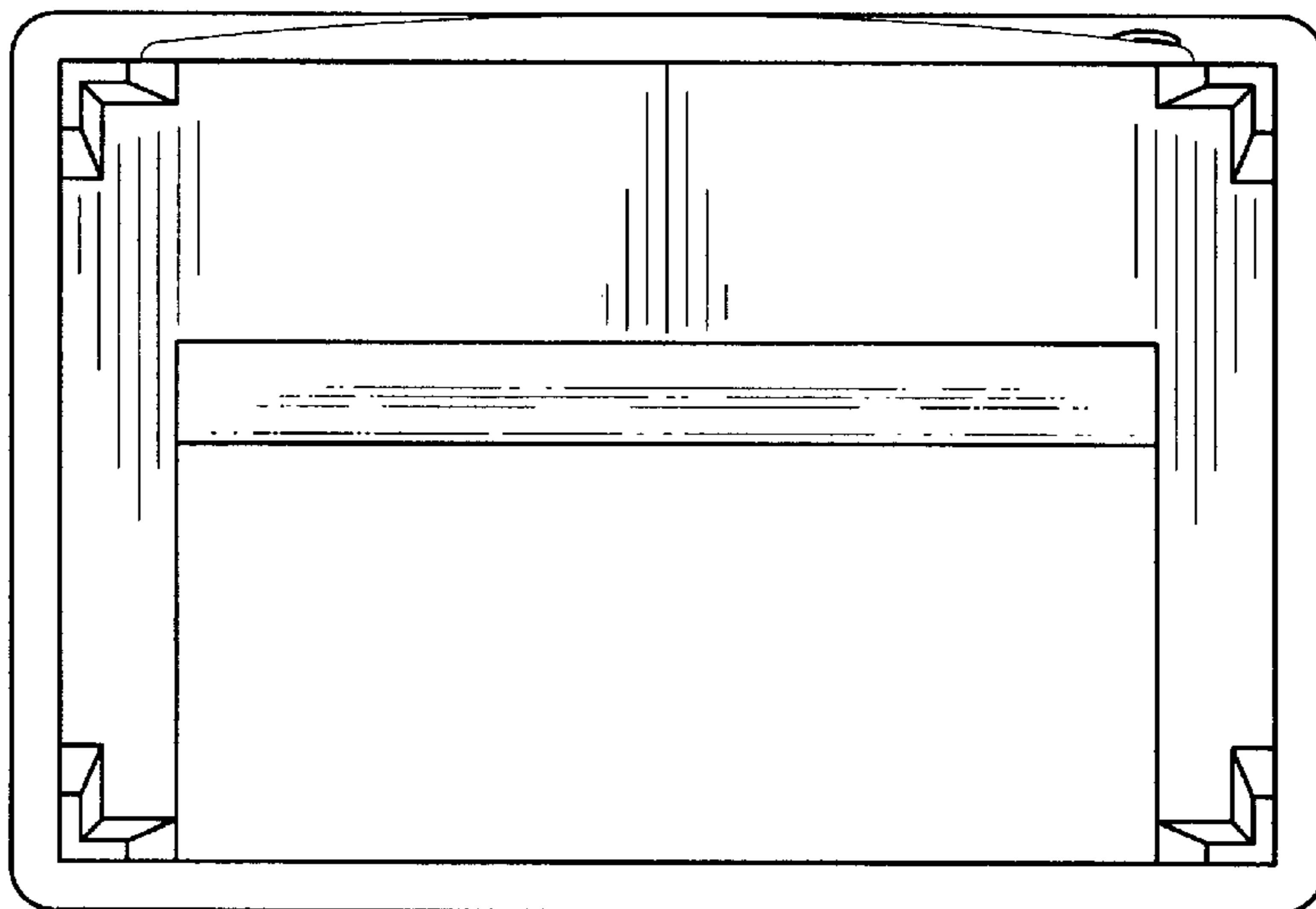


FIG. 6

FIG. 8

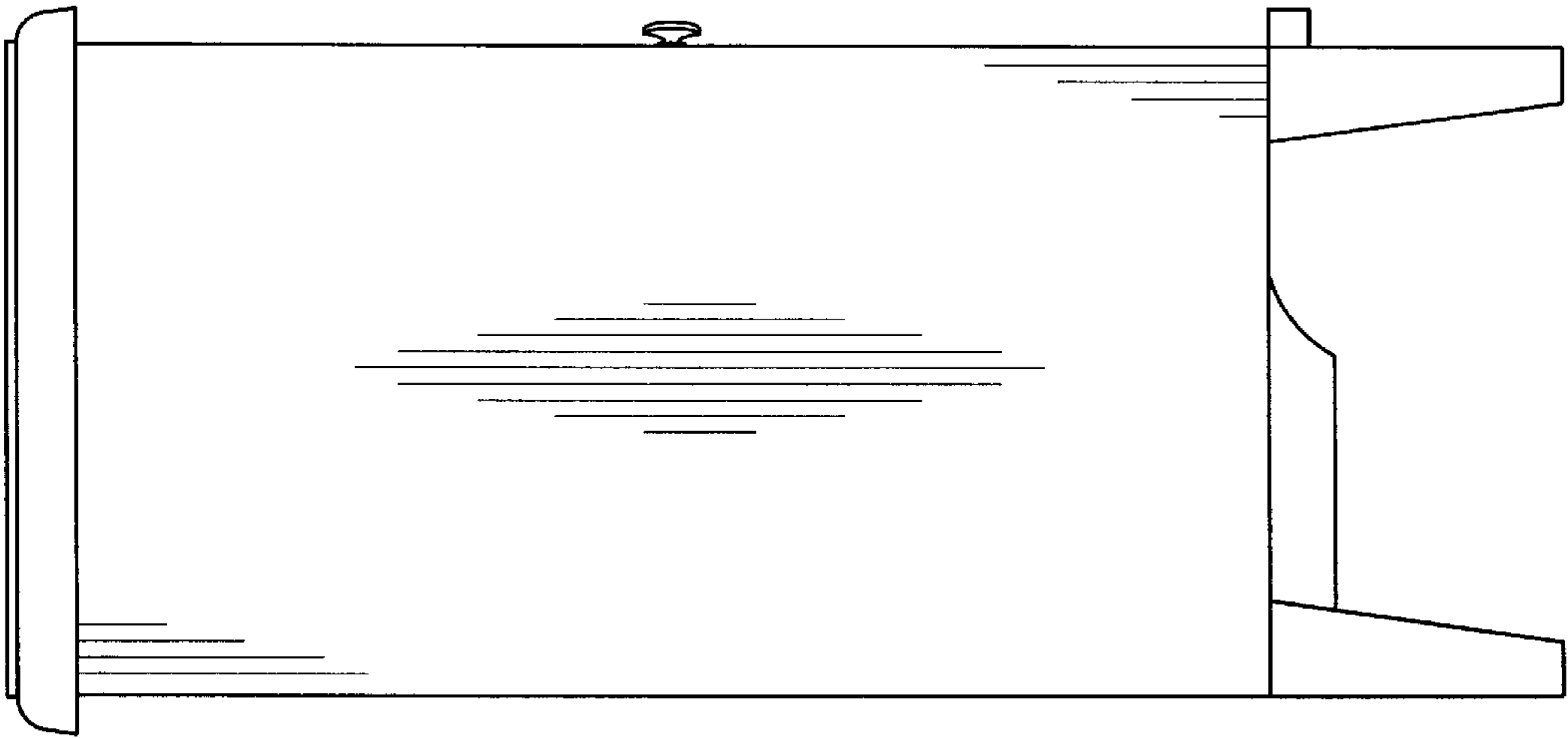


FIG. 7

