



US00D491650S

(12) **United States Design Patent**
Lagüera Garza et al.

(10) **Patent No.:** **US D491,650 S**
(45) **Date of Patent:** **** Jun. 15, 2004**

(54) **TOILET SEAT FOR OBESE PERSONS**

(76) Inventors: **Javier Garza Lagüera Garza, Dr.**
Cantú #2751 Col. Los Doctores,
Monterrey, Nuevo Leon (MX), 66290;
Arturo Ramirez Montanana, Dr.
Cantú #2751 Col. Los Doctores,
Monterrey, Nuevo Leon (MX), 66290

(**) Term: **14 Years**

(21) Appl. No.: **29/185,186**

(22) Filed: **Jun. 24, 2003**

(51) **LOC (7) Cl.** **23-02**

(52) **U.S. Cl.** **D23/311**

(58) **Field of Search** D23/273-274,
D23/295-301, 303, 309, 311-312; 4/663-665,
300, 483, 234, 237-239

(56) **References Cited**

U.S. PATENT DOCUMENTS

D352,103 S * 11/1994 Waldren, Jr. D23/311

* cited by examiner

Primary Examiner—Louis S. Zarfaz
Assistant Examiner—Robert A Delehanty
(74) *Attorney, Agent, or Firm*—Baker & McKenzie

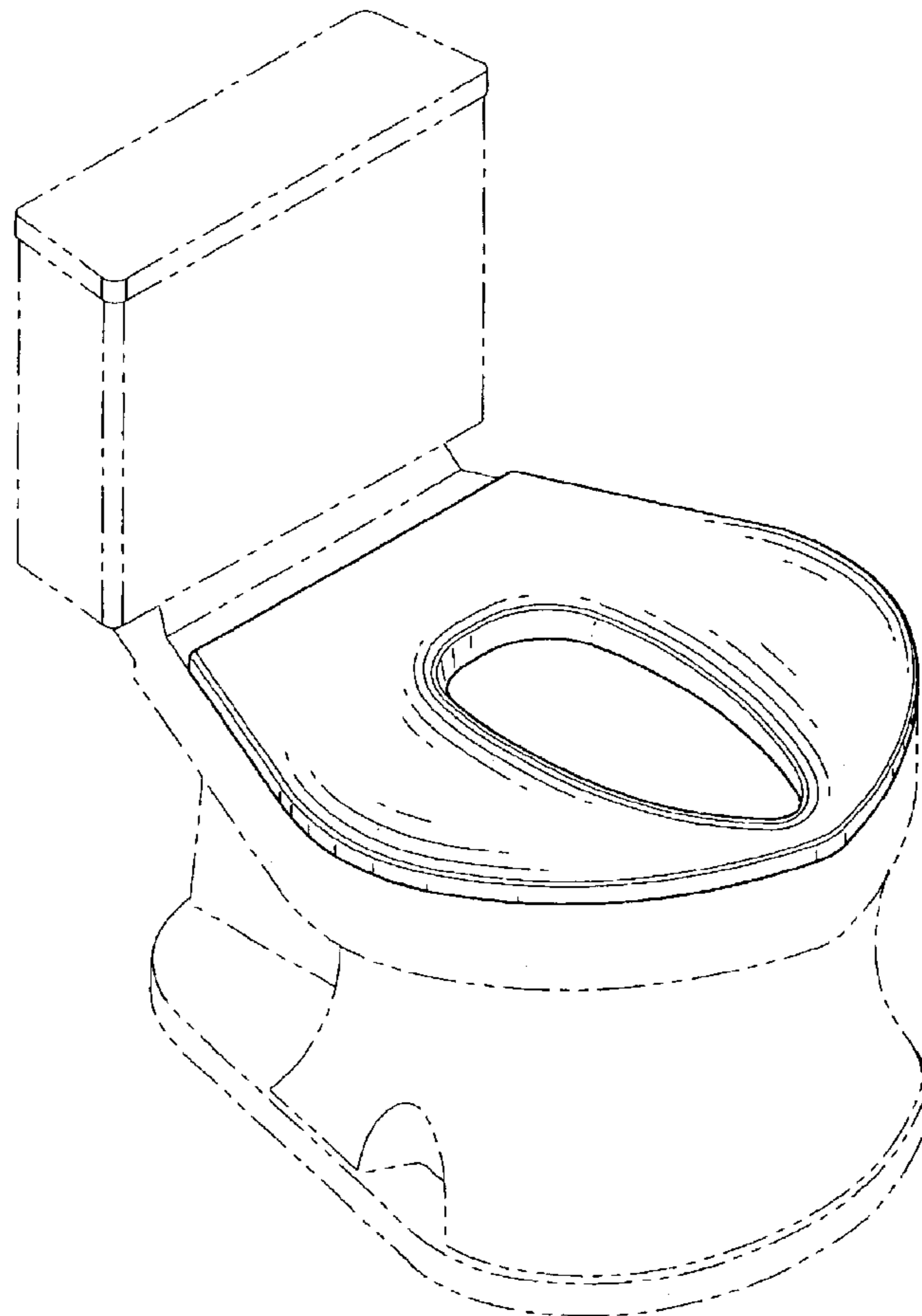
(57) **CLAIM**

The ornamental design for a toilet seat for obese persons, as illustrated and described.

DESCRIPTION

FIG. 1 is a perspective view of a toilet seat for obese persons;
FIG. 2 is a front side view of the embodiment shown in FIG. 1;
FIG. 3 is a right side view of the embodiment shown in FIGS. 1-2;
FIG. 4 is a back side view of the embodiment shown in FIGS. 1-3;
FIG. 5 is a top view of the embodiment shown in FIGS. 1-4; and,
FIG. 6 is a bottom view of the embodiment shown in FIGS. 1-5.
The broken line showing of various features of the toilet seat is for illustrative purposes only and forms no part of the claimed design.

1 Claim, 2 Drawing Sheets



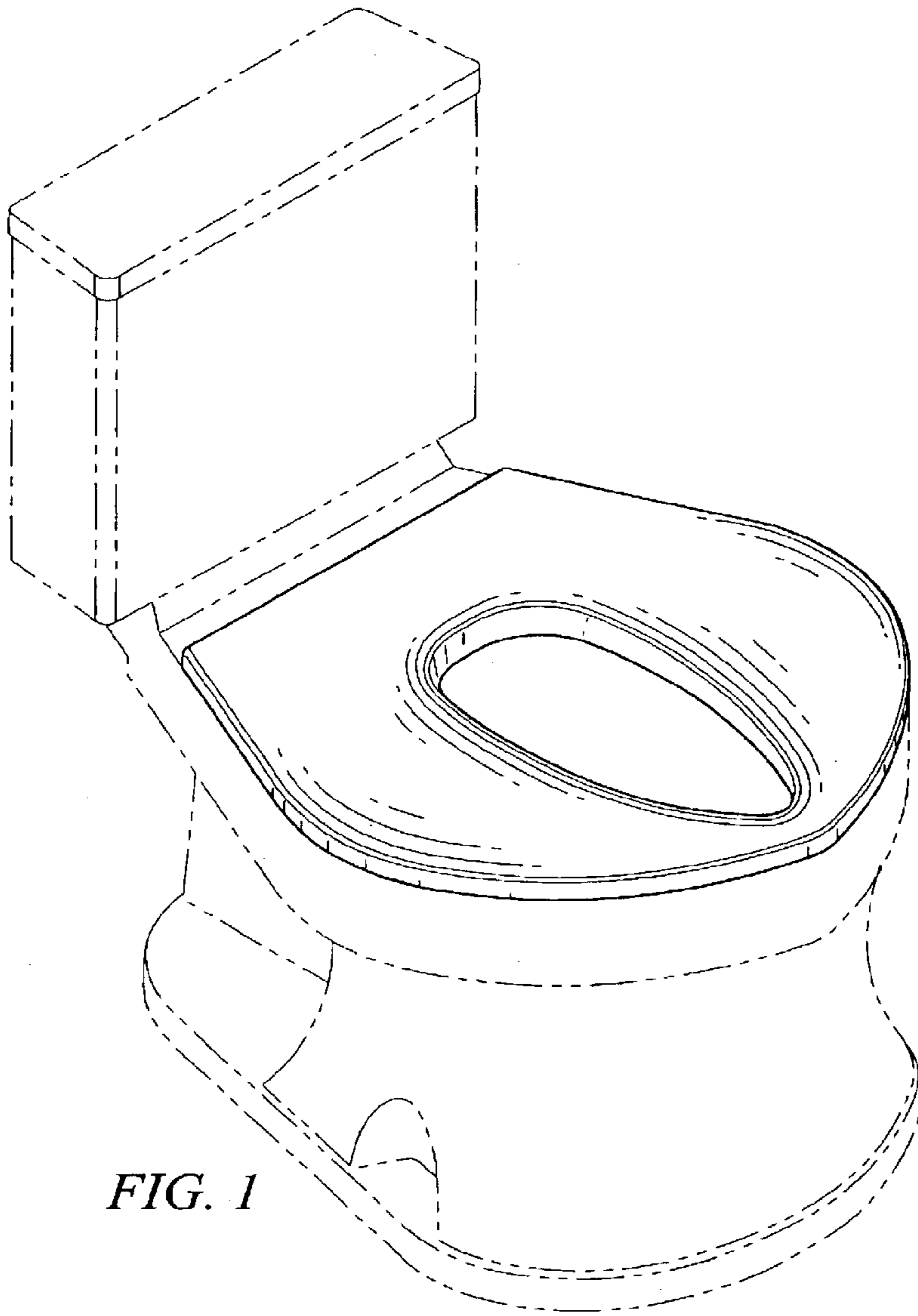


FIG. 1

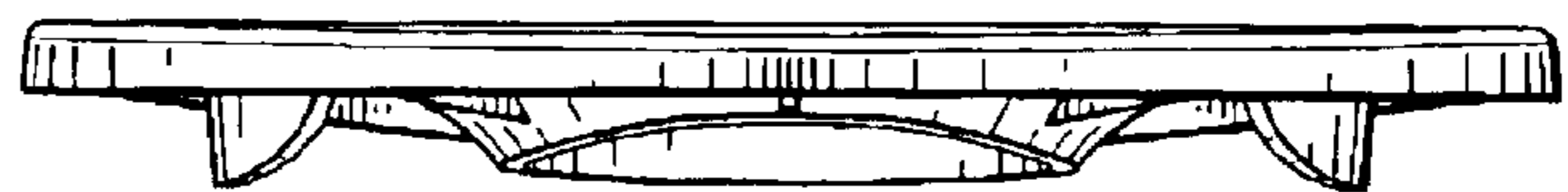


FIG. 2

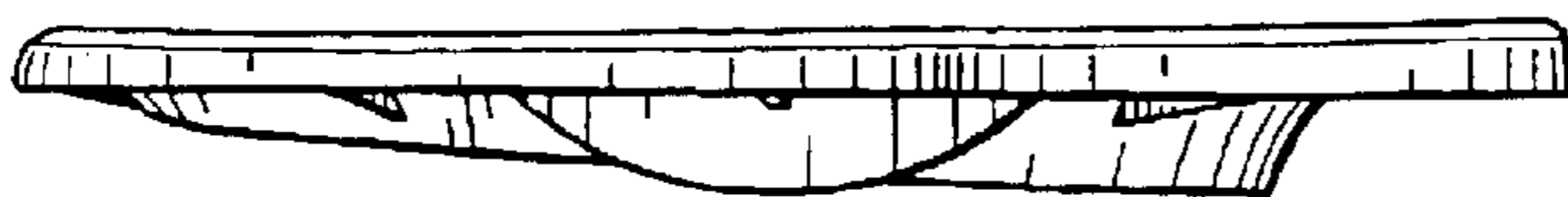


FIG. 3

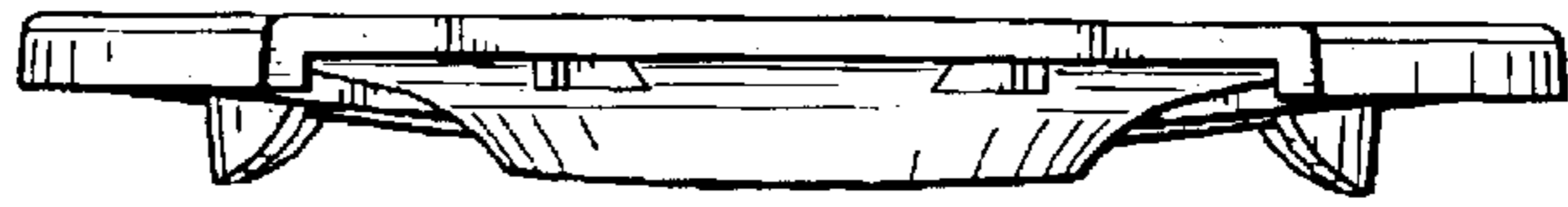


FIG. 4

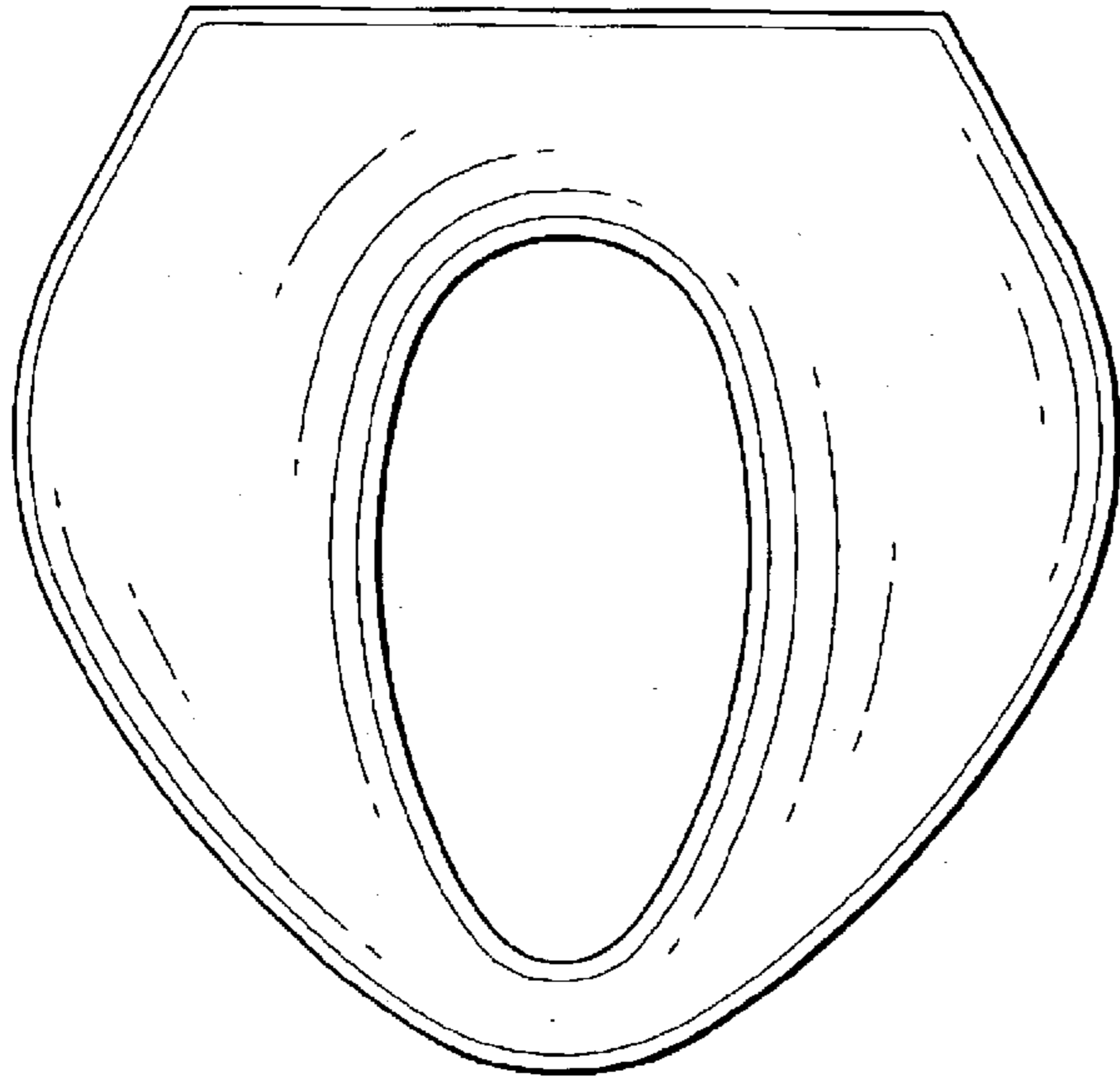


FIG. 5

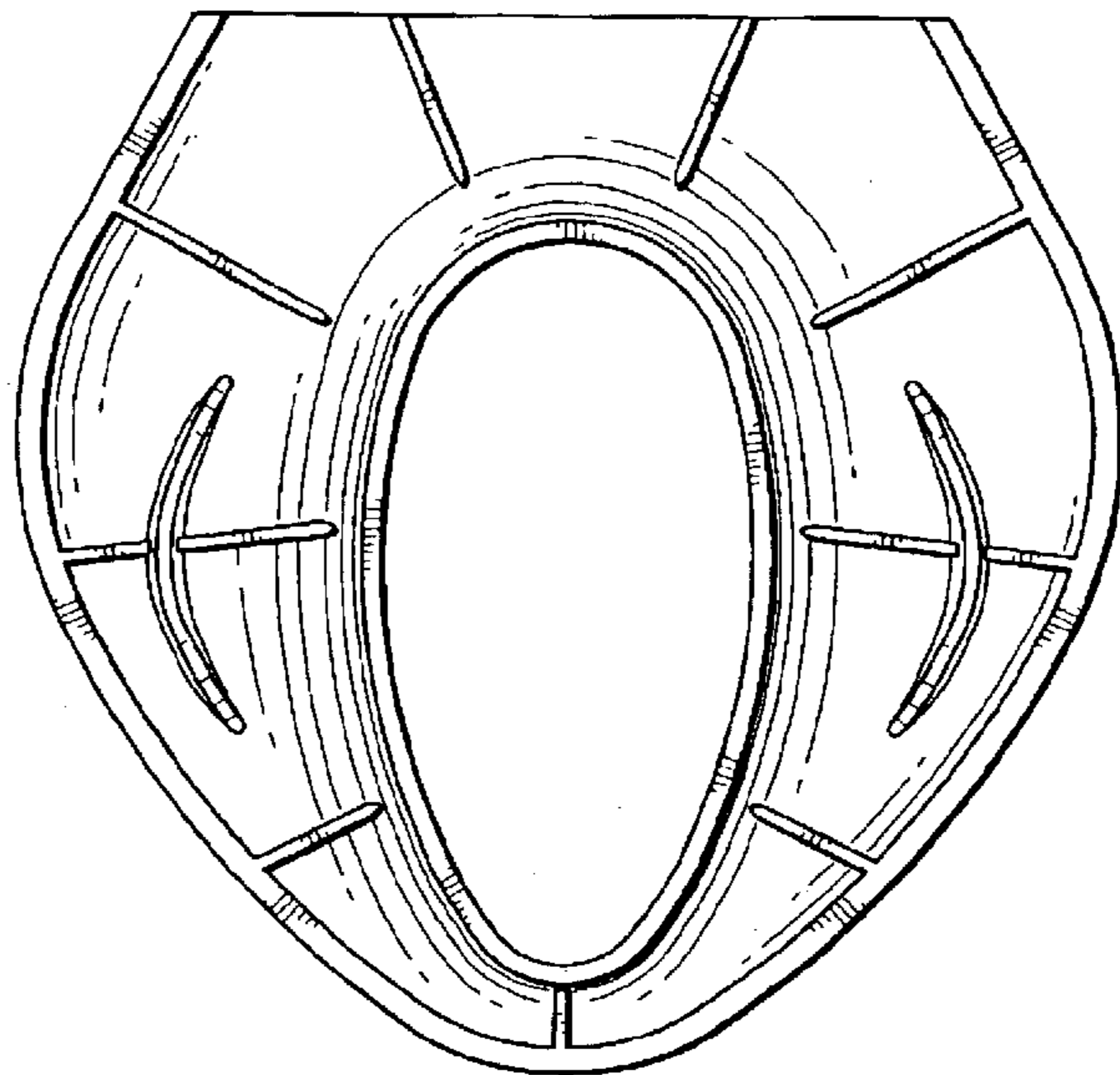


FIG. 6