



US00D491649S

(12) **United States Design Patent**  
**Smith**

(10) **Patent No.:** **US D491,649 S**

(45) **Date of Patent:** **\*\* Jun. 15, 2004**

(54) **LAVATORY**

(75) Inventor: **Michael S. Smith**, Santa Monica, CA (US)

(73) Assignee: **Kohler Co.**, Kohler, WI (US)

(\*\*) Term: **14 Years**

(21) Appl. No.: **29/186,893**

(22) Filed: **Jul. 24, 2003**

**Related U.S. Application Data**

(62) Division of application No. 29/158,609, filed on Apr. 4, 2002, now Pat. No. Des. 479,587.

(51) **LOC (7) Cl.** ..... **23-02**

(52) **U.S. Cl.** ..... **D23/308**

(58) **Field of Search** ..... D23/272-274,  
D23/284, 289, 292, 293.1, 303, 308; 4/619-620,  
623-627, 638, 643-652, 660-661

(56) **References Cited**

**U.S. PATENT DOCUMENTS**

D76,918 S	11/1928	Crane, II	
D95,378 S	4/1935	Morgan	..... D23/293.1
D139,483 S	11/1944	Trombley	..... D23/293.1
D160,767 S	11/1950	Brown, Jr.	..... D23/291
D407,470 S	3/1999	McKeone	..... D23/292

**OTHER PUBLICATIONS**

1999 Kallista catalog ad, p. 46, showing a "Hampstead" lavatory.

2000 Kohler catalog ad, p. 14.17, showing "Memiors" lavatories.

*Primary Examiner*—Ian Simmons

*Assistant Examiner*—Robert A Delehanty

(74) *Attorney, Agent, or Firm*—Quarles & Brady LLP

(57) **CLAIM**

The ornamental design for a lavatory, as shown and described.

**DESCRIPTION**

FIG. 1 is a left, top, front perspective view of a lavatory embodying my new design;

FIG. 2 is a top plan view thereof;

FIG. 3 is a front elevational view thereof; and,

FIG. 4 is a left side elevational view thereof, the right side elevational view being a mirror image of the left side shown.

The broken line representations of holes in FIGS. 1 and 2, and of a back splash in FIGS. 1-4, are for the purpose of illustration only, and form no part of the claimed design.

The broken line representation of a surrounding apron in FIGS. 1, 3, and 4 is intended to represent variable height section members of the apron which may vary in height from ten percent to fifty percent of the overall width of the lavatory top.

**1 Claim, 1 Drawing Sheet**

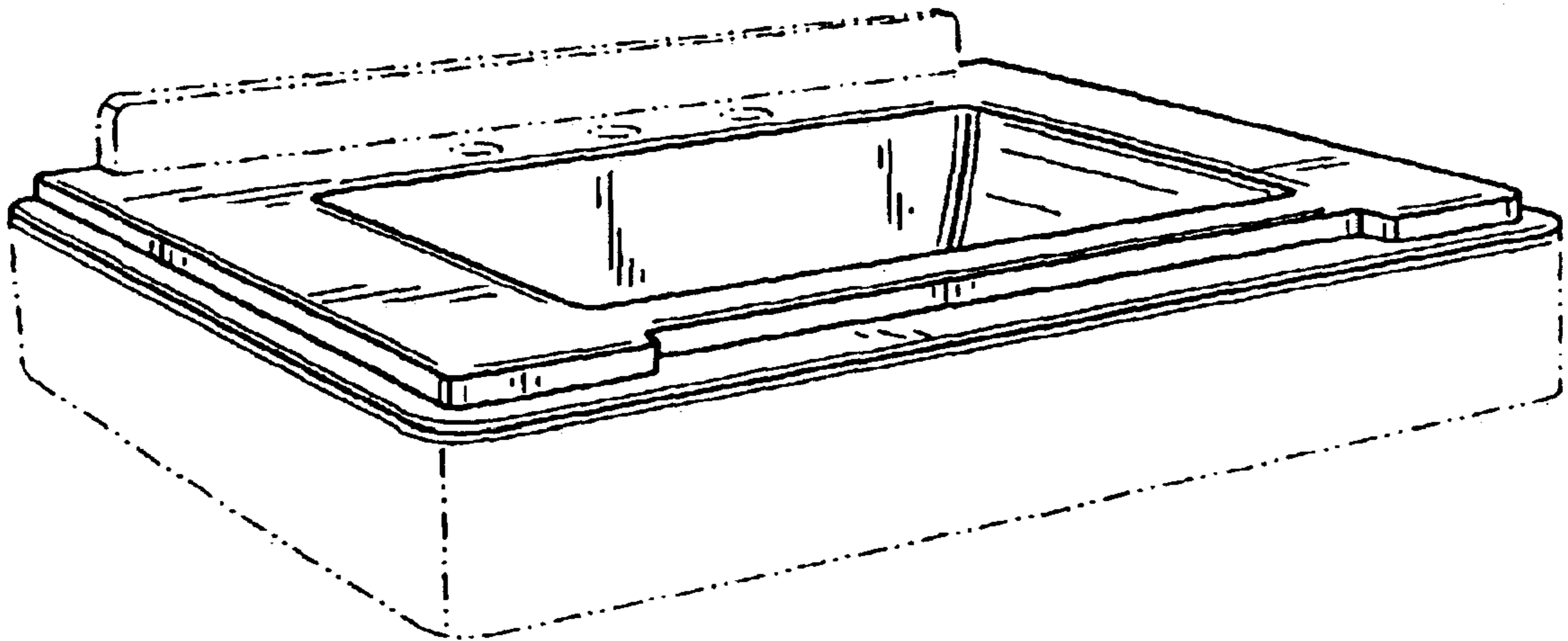


FIG. 1

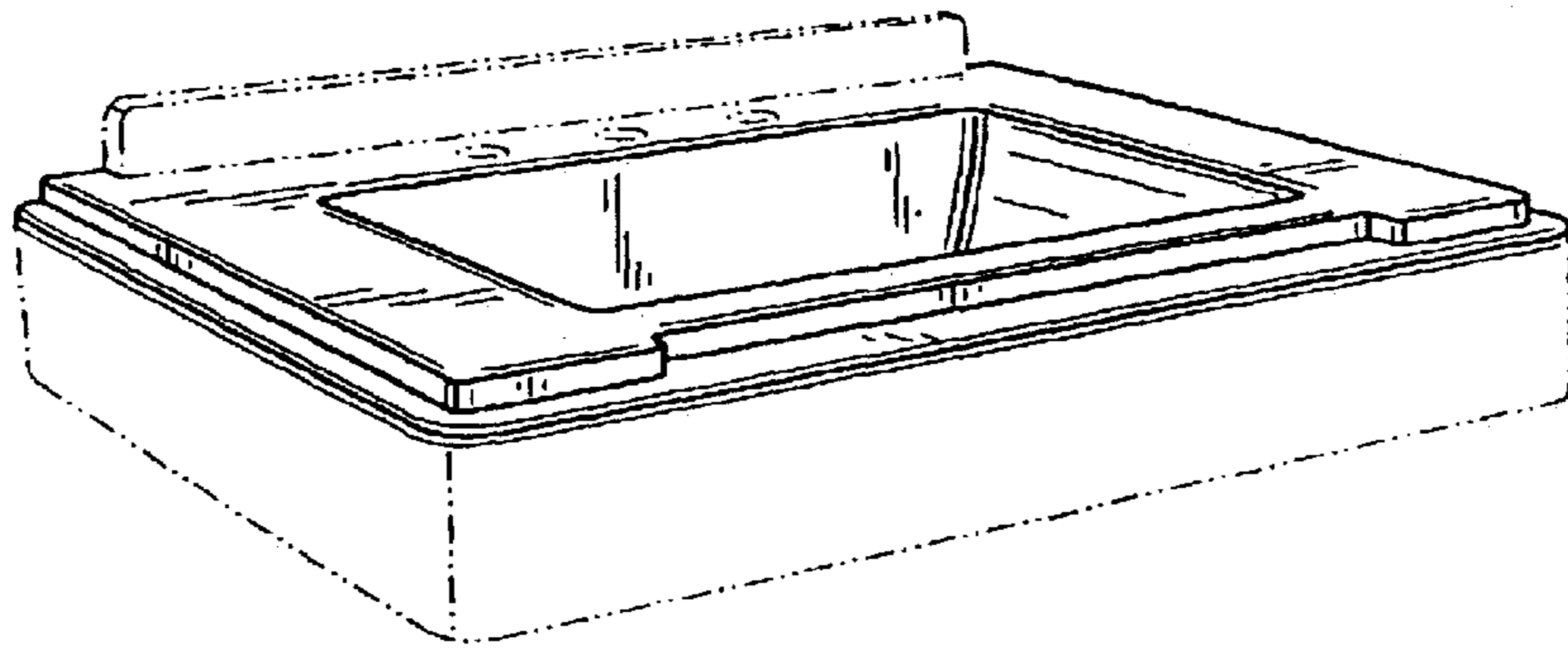


FIG. 2

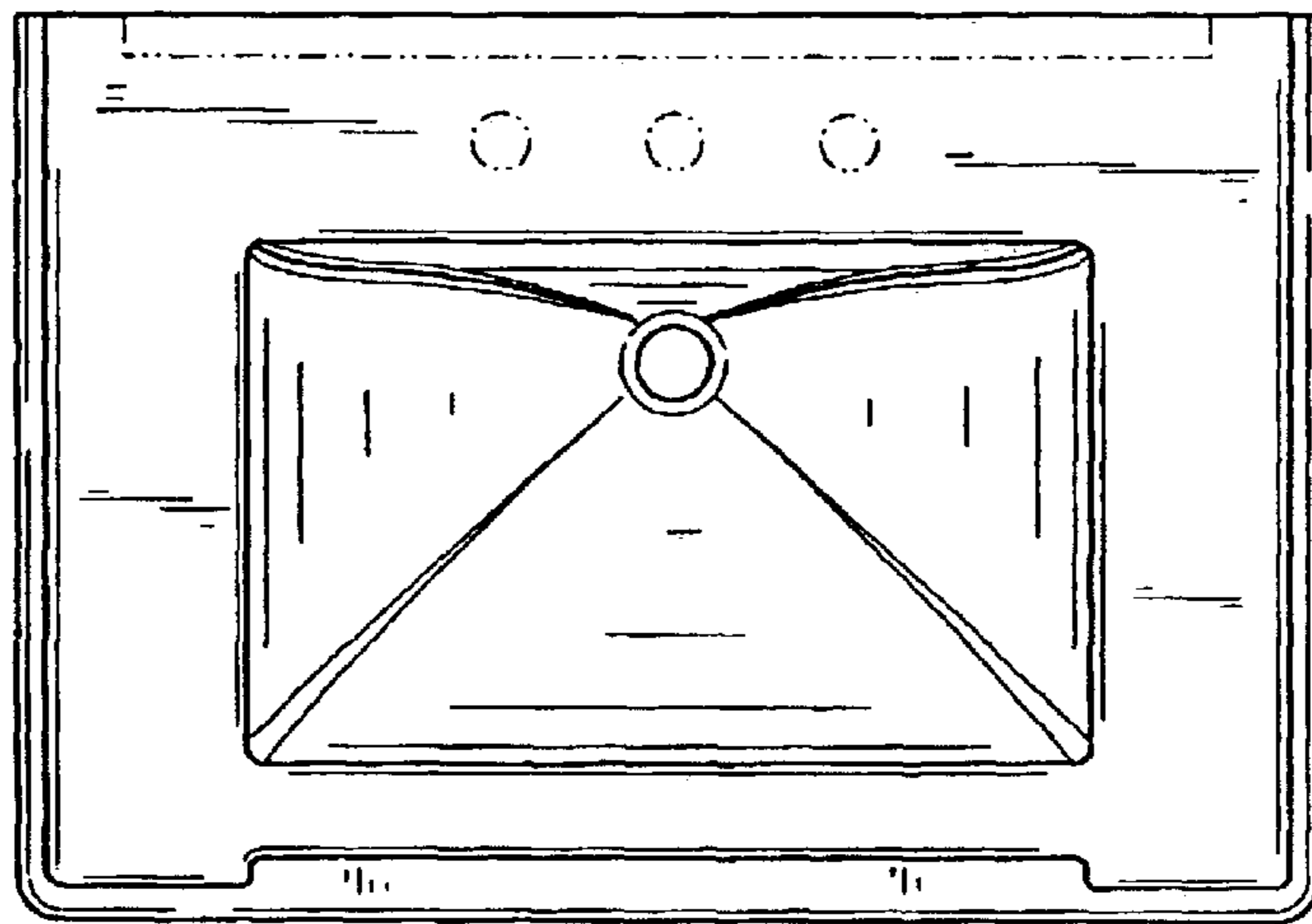


FIG. 3

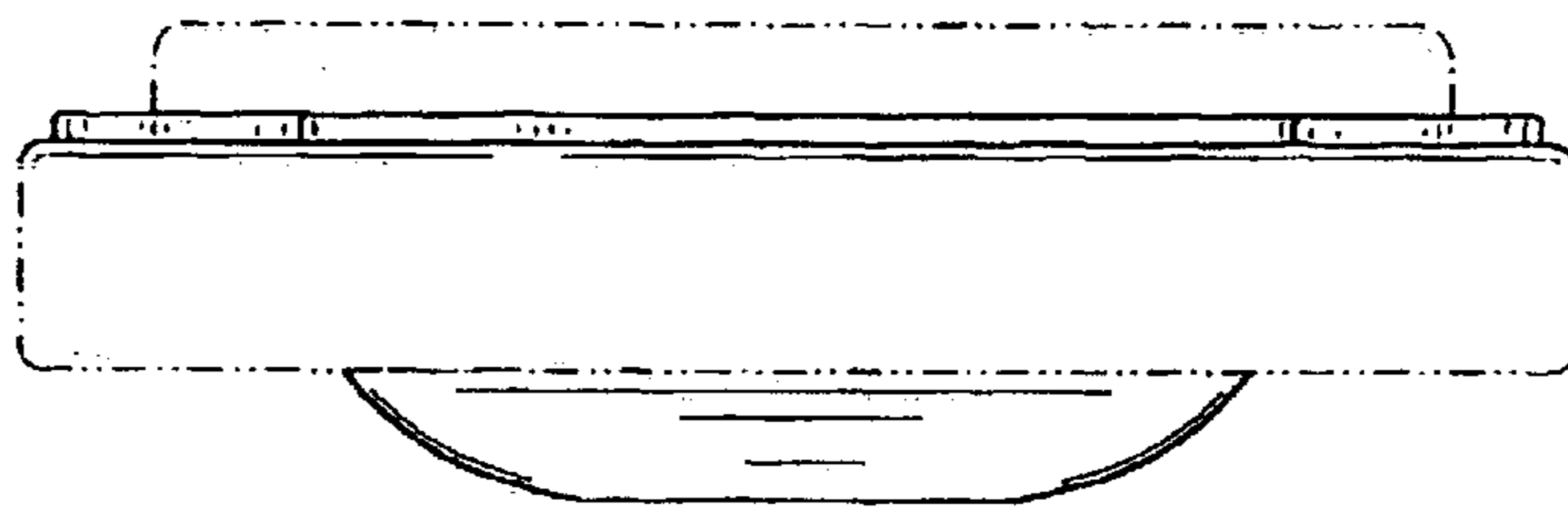


FIG. 4

