

US00D491648S

(12) **United States Design Patent**  
**Shimizu**

(10) **Patent No.:** **US D491,648 S**  
(45) **Date of Patent:** **\*\* Jun. 15, 2004**

- (54) **TABLE FOR BATHTUB**
- (75) Inventor: **Hideo Shimizu**, Tokyo (JP)
- (73) Assignee: **Cappelline Buono Inc.**, Tokyo (JP)
- (\*\*) Term: **14 Years**

|             |          |               |       |         |
|-------------|----------|---------------|-------|---------|
| D367,708 S  | 3/1996   | Lawing et al. | ..... | D24/204 |
| D373,817 S  | 9/1996   | Andronico     | ..... | D23/277 |
| 5,553,735 A | 9/1996   | Kimura        | ..... | 220/469 |
| 5,604,940 A | 2/1997   | Shimizu       | ..... | 4/541.1 |
| D390,376 S  | * 2/1998 | Chang         | ..... | D6/424  |
| D412,973 S  | 8/1999   | Donnely       | ..... | D23/277 |
| D428,713 S  | * 8/2000 | Arko et al.   |       |         |

(List continued on next page.)

- (21) Appl. No.: **29/168,079**
- (22) Filed: **Sep. 24, 2002**

**OTHER PUBLICATIONS**

(30) **Foreign Application Priority Data**

Apr. 4, 2002 (JP) ..... 2002-009051

U.S. patent application Ser. No. 29/168,037, Shimizu, filed Sep. 24, 2002.  
 U.S. patent application Ser. No. 29/168,056, Shimizu, filed Sep. 24, 2002.

- (51) **LOC (7) Cl.** ..... **23-02**
- (52) **U.S. Cl.** ..... **D23/304**
- (58) **Field of Search** ..... D23/273, 275,  
D23/277, 278, 280.1, 280.2, 303, 304, 305;  
D24/204, 205; D8/373; 4/538, 546-548,  
551, 559, 571.1-579, 584-586, 591-593,  
661; D6/384, 336, 406.2, 397, 424, 511,  
500; 108/66, 134, 161

(List continued on next page.)

*Primary Examiner*—Louis S. Zarfaz  
*Assistant Examiner*—Robert A. Delehanty  
 (74) *Attorney, Agent, or Firm*—Ladas & Parry

(56) **References Cited**

(57) **CLAIM**

The ornamental design for a “table for bathtub,” as shown.

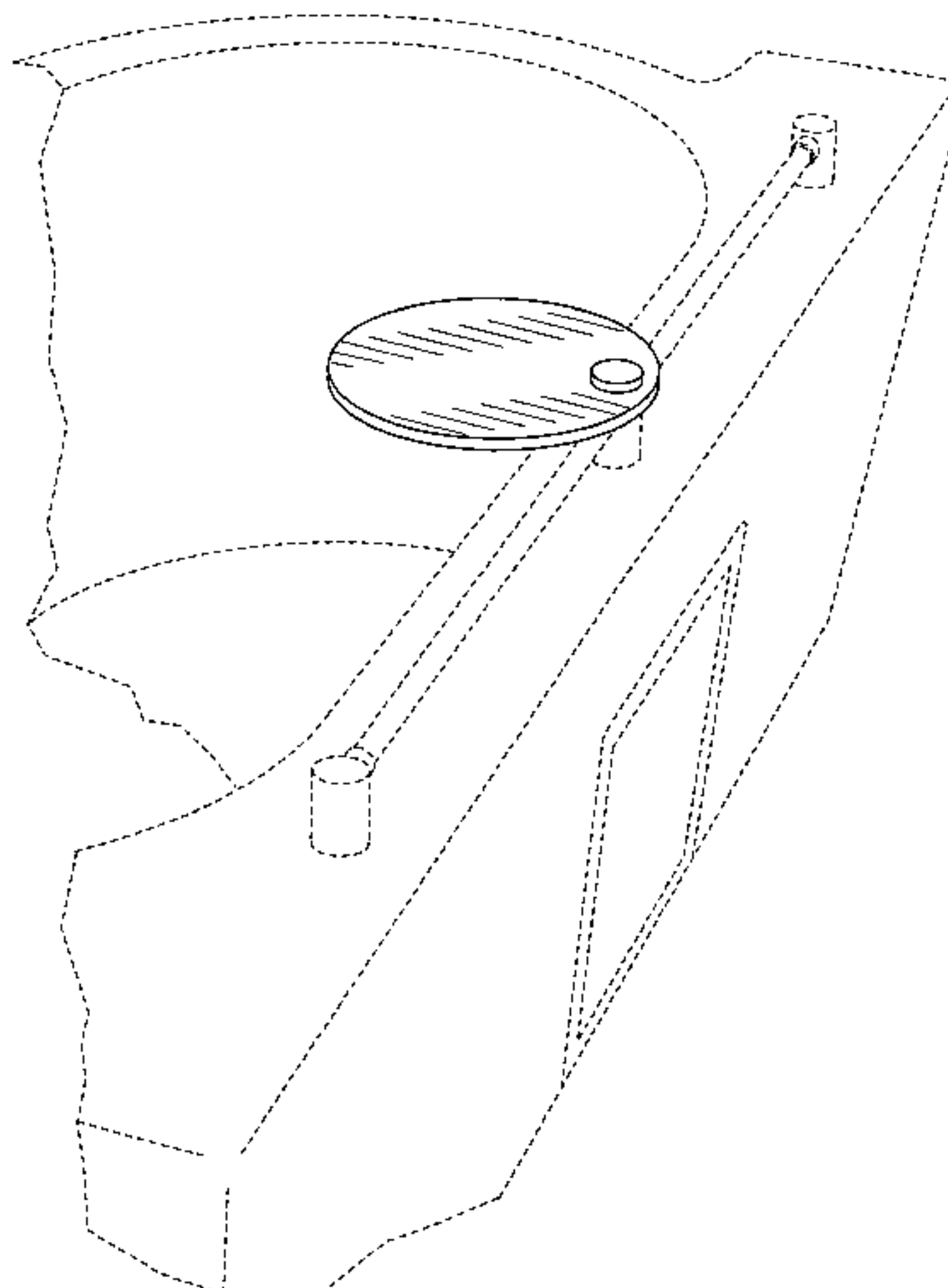
**U.S. PATENT DOCUMENTS**

**DESCRIPTION**

|             |           |                 |                  |
|-------------|-----------|-----------------|------------------|
| D17,902 S   | 11/1887   | Torrance        |                  |
| 1,222,230 A | * 4/1917  | Anderson        | ..... 108/139    |
| 1,247,112 A | * 11/1917 | Holmberg et al. | ..... 108/139    |
| 2,604,579 A | 7/1952    | Deneboudes      | ..... 240/2      |
| D192,955 S  | * 6/1962  | Moore           | ..... D23/304    |
| 3,585,991 A | 6/1971    | Balamuth        | ..... 128/66     |
| 3,788,306 A | 1/1974    | Eberhard        | ..... 128/66     |
| 4,142,337 A | 3/1979    | Holcomb         | ..... 52/169.7   |
| 4,364,132 A | 12/1982   | Robinson        | ..... 4/546      |
| 4,535,489 A | 8/1985    | Elkins          | ..... 4/546      |
| D286,233 S  | * 10/1986 | Schreiner       | ..... D6/397     |
| D288,507 S  | * 3/1987  | Evans           | ..... D6/384     |
| 4,672,898 A | * 6/1987  | Davidson        | ..... D6/511 X   |
| 4,875,958 A | 10/1989   | Kurokawa        | ..... 156/108    |
| D310,311 S  | * 9/1990  | Bergen et al.   | ..... D6/500     |
| 4,974,808 A | * 12/1990 | Ball            | ..... D6/511 X   |
| D323,378 S  | 1/1992    | Delepine        | ..... D23/281    |
| D324,148 S  | * 2/1992  | Dickman         | ..... D6/511     |
| D356,902 S  | * 4/1995  | Crowell         | ..... D6/406.2 X |

FIG. 1 is a perspective view of a table for a bathtub showing my new design in condition of a use with a bathtub;  
 FIG. 2 is a front view thereof;  
 FIG. 3 is a rear view thereof;  
 FIG. 4 is a right-side view thereof;  
 FIG. 5 is a left-side view thereof;  
 FIG. 6 is a top side view thereof;  
 FIG. 7 is an enlarged perspective view of the table showing a truncated version of the same design of a table for bathtub;  
 FIG. 8 is a front view of FIG. 7;  
 FIG. 9 is a rear view of FIG. 7;  
 FIG. 10 is a right-side view of FIG. 7;  
 FIG. 11 is a left-side view of FIG. 7; and,  
 FIG. 12 is a top side view of FIG. 7.  
 The broken line showing a bathtub is for illustrative purposes only and forms no part of the claimed design.

**1 Claim, 8 Drawing Sheets**



# US D491,648 S

Page 2

---

## U.S. PATENT DOCUMENTS

|              |         |                 |       |           |
|--------------|---------|-----------------|-------|-----------|
| D444,546 S   | 7/2001  | Shimizu         | ..... | D23/277   |
| D448,834 S   | 10/2001 | Shimizu         | ..... | D23/277   |
| D451,986 S   | 12/2001 | Marshall et al. | ..... | D23/280.1 |
| D453,207 S   | 1/2002  | Pavlopoulos     | ..... | D23/277   |
| D462,113 S   | 8/2002  | Marshall et al. | ..... | D23/280.1 |
| 6,510,277 B1 | 1/2003  | Dongo           | ..... | 385/147   |
| D470,579 S   | 2/2003  | Foster          | ..... | D23/280.1 |
| D473,634 S   | 4/2003  | Foster          | ..... | D23/277   |
| D473,724 S * | 4/2003  | De Wit          | ..... | D6/397 X  |
| 6,539,561 B2 | 4/2003  | Shimizu         | ..... | 4/559     |

## OTHER PUBLICATIONS

U.S. patent application Ser. No. 29/168,057, Shimizu, filed Sep. 24, 2002.

U.S. patent application Ser. No. 29/168,059, Shimizu, filed Sep. 24, 2002.

U.S. patent application Ser. No. 29/168,064, Shimizu, filed Sep. 24, 2002.

U.S. patent application Ser. No. 29/168,067, Shimizu, filed Sep. 24, 2002.

U.S. patent application Ser. No. 29/168,068, Shimizu, filed Sep. 24, 2002.

U.S. patent application Ser. No. 29/168,071, Shimizu, filed Sep. 24, 2002.

U.S. patent application Ser. No. 10/179,571, Shimizu, filed Jun. 24, 2002.

U.S. patent application Ser. No. 10/179,596, Shimizu, filed Jun. 24, 2002.

U.S. patent application Ser. No. 10/313,797, Shimizu, filed Dec. 6, 2002.

\* cited by examiner

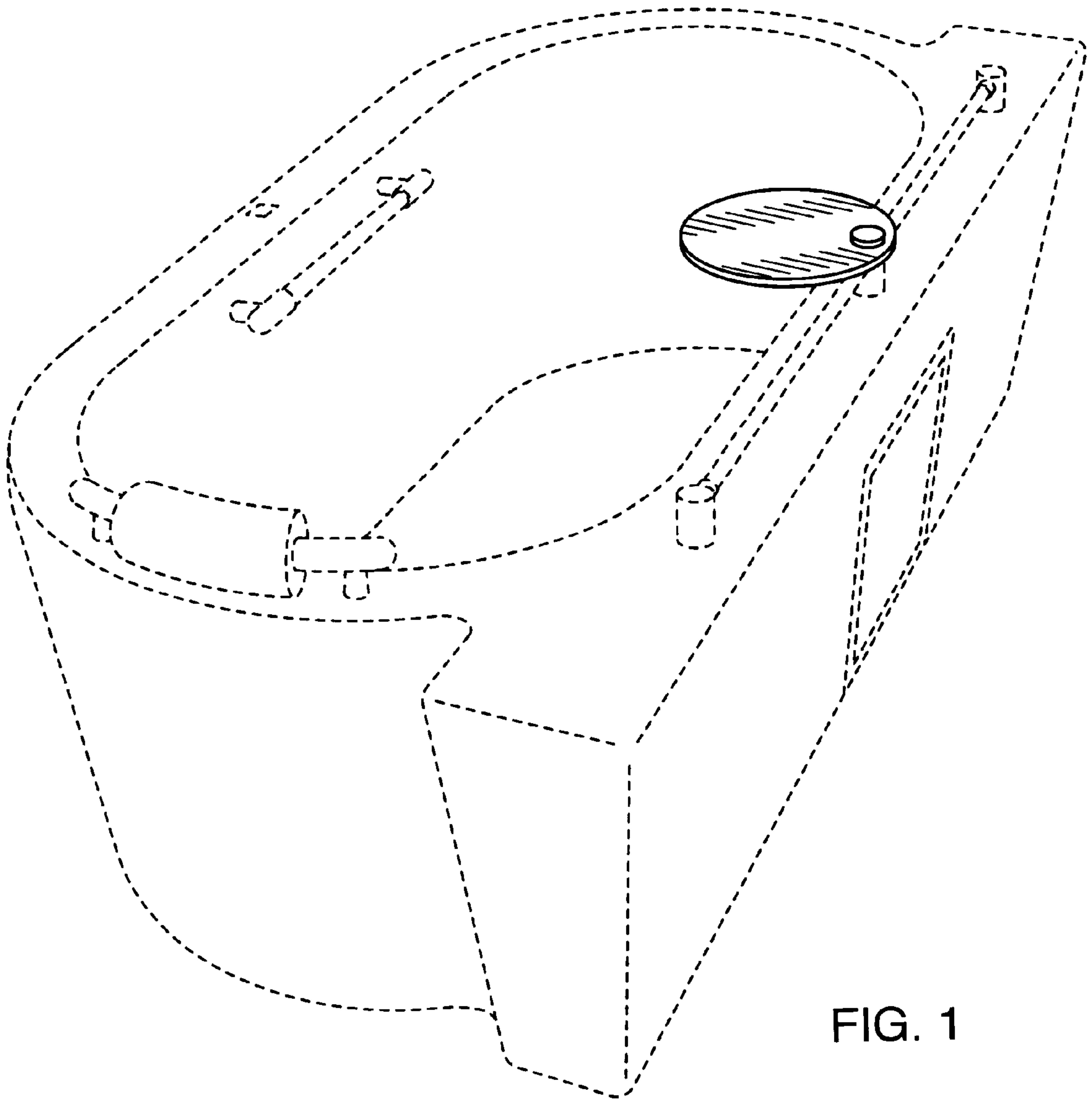


FIG. 1

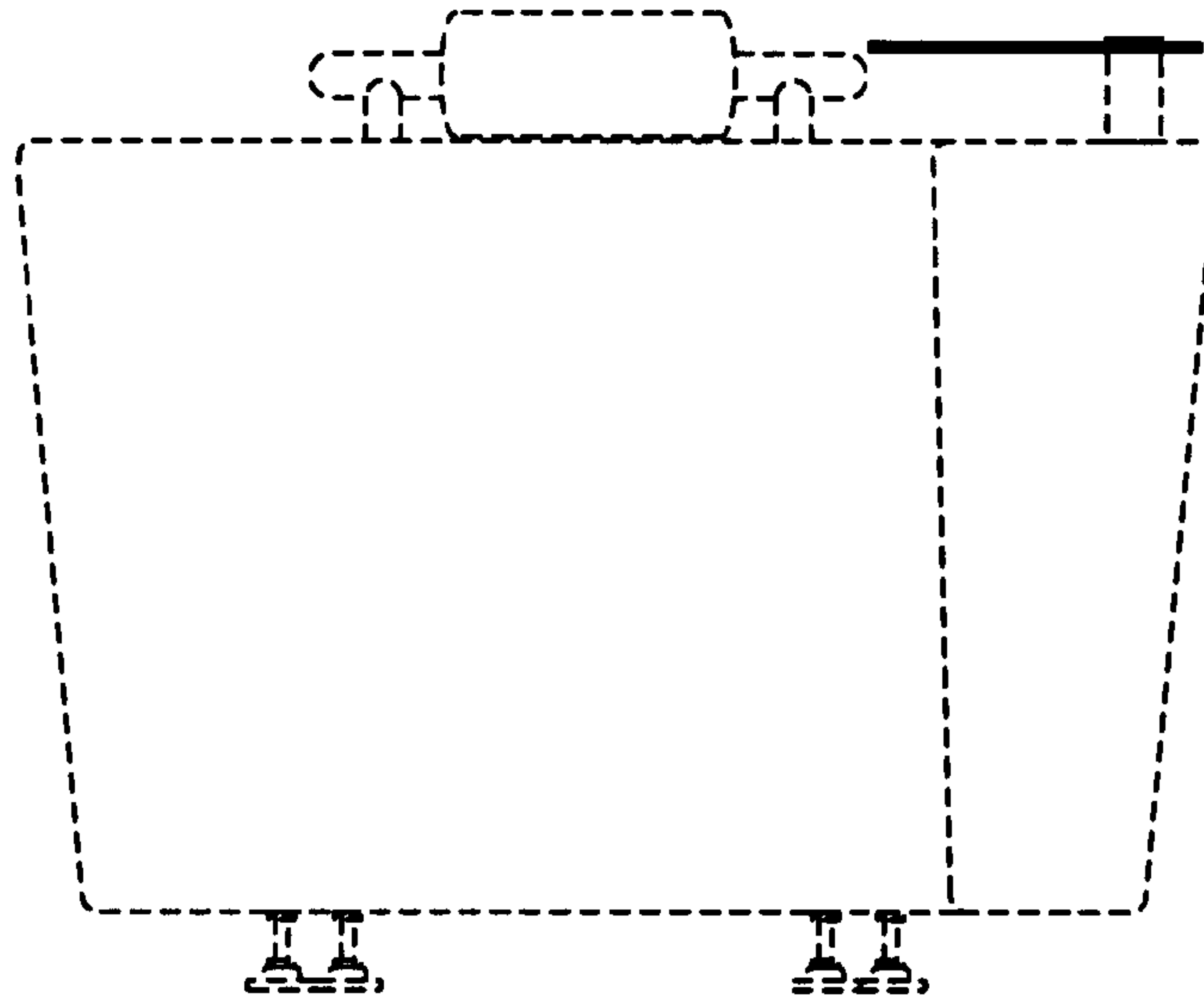


FIG. 2

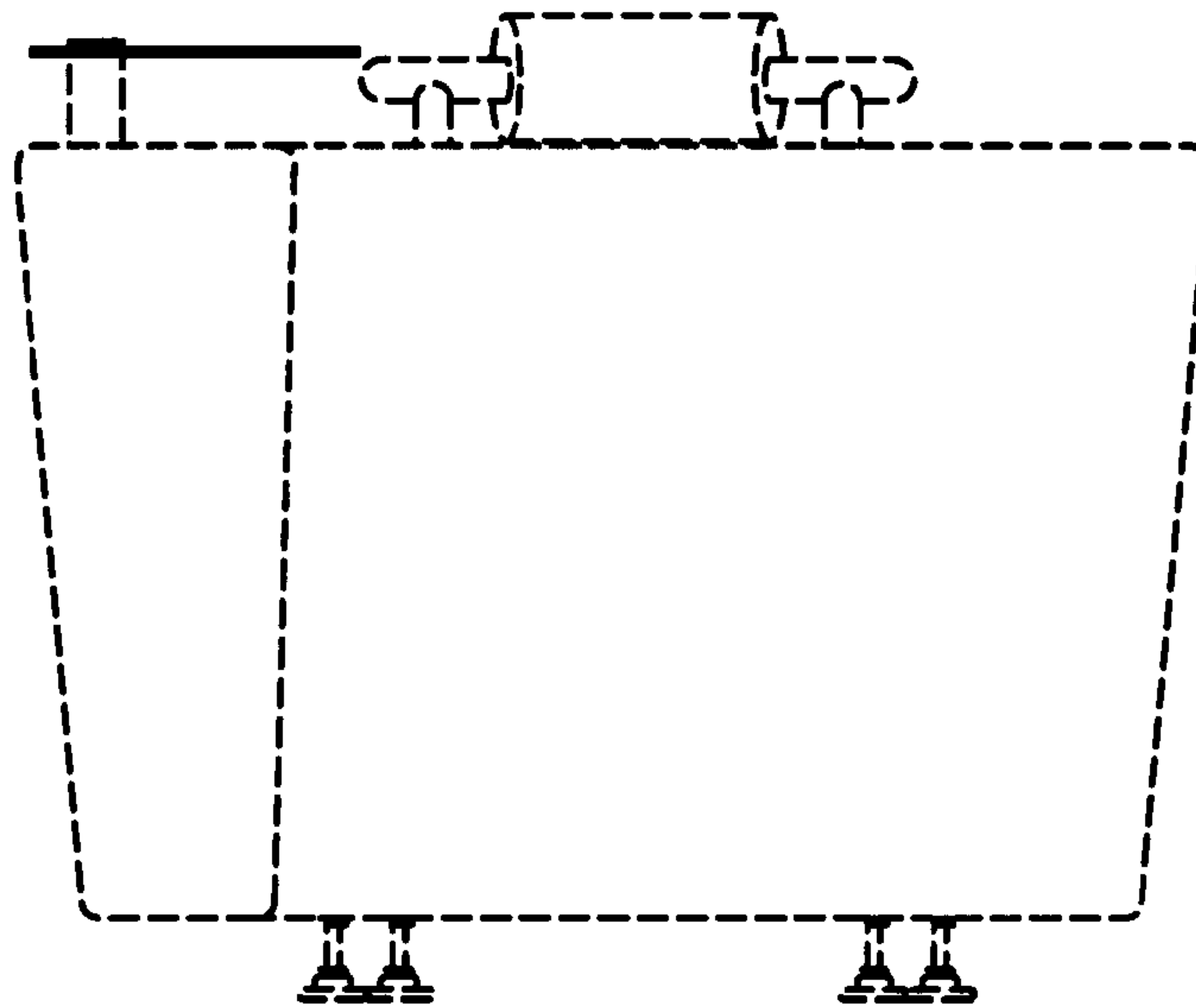


FIG. 3

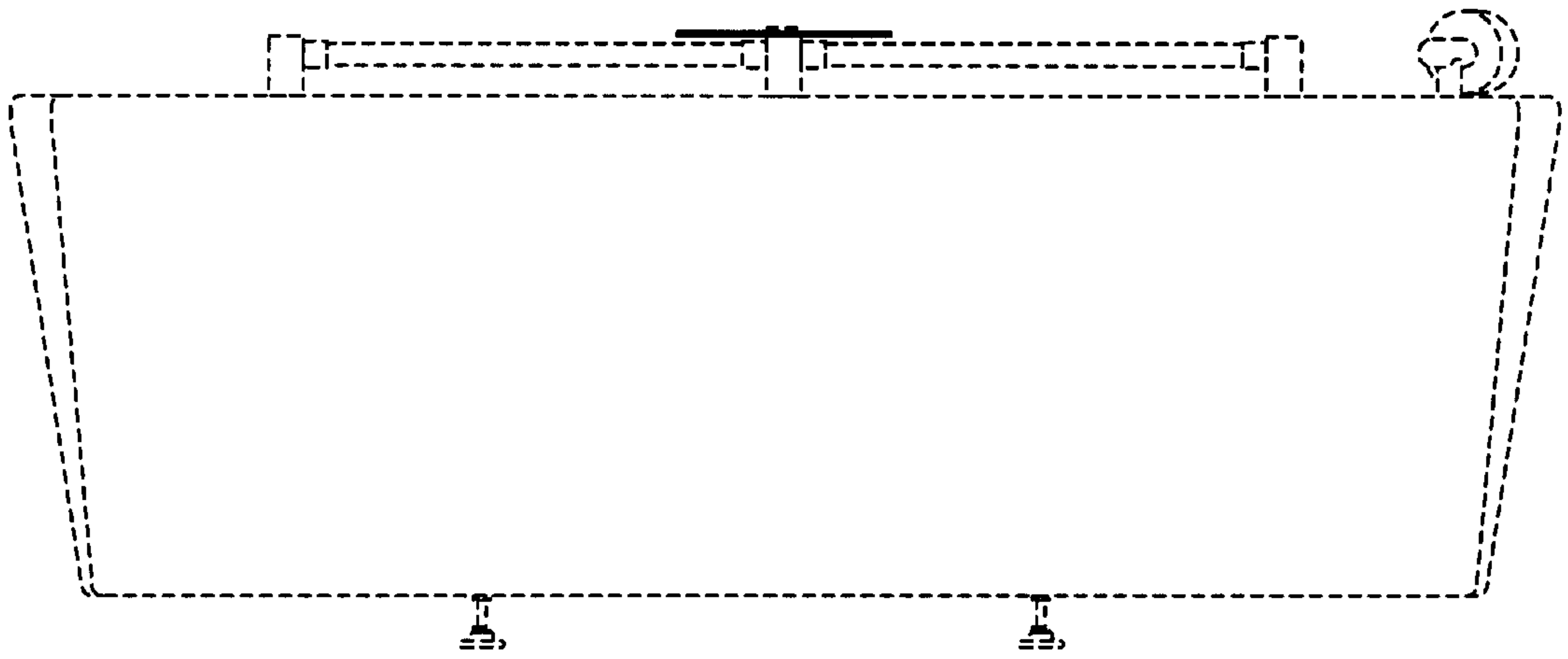


FIG. 4

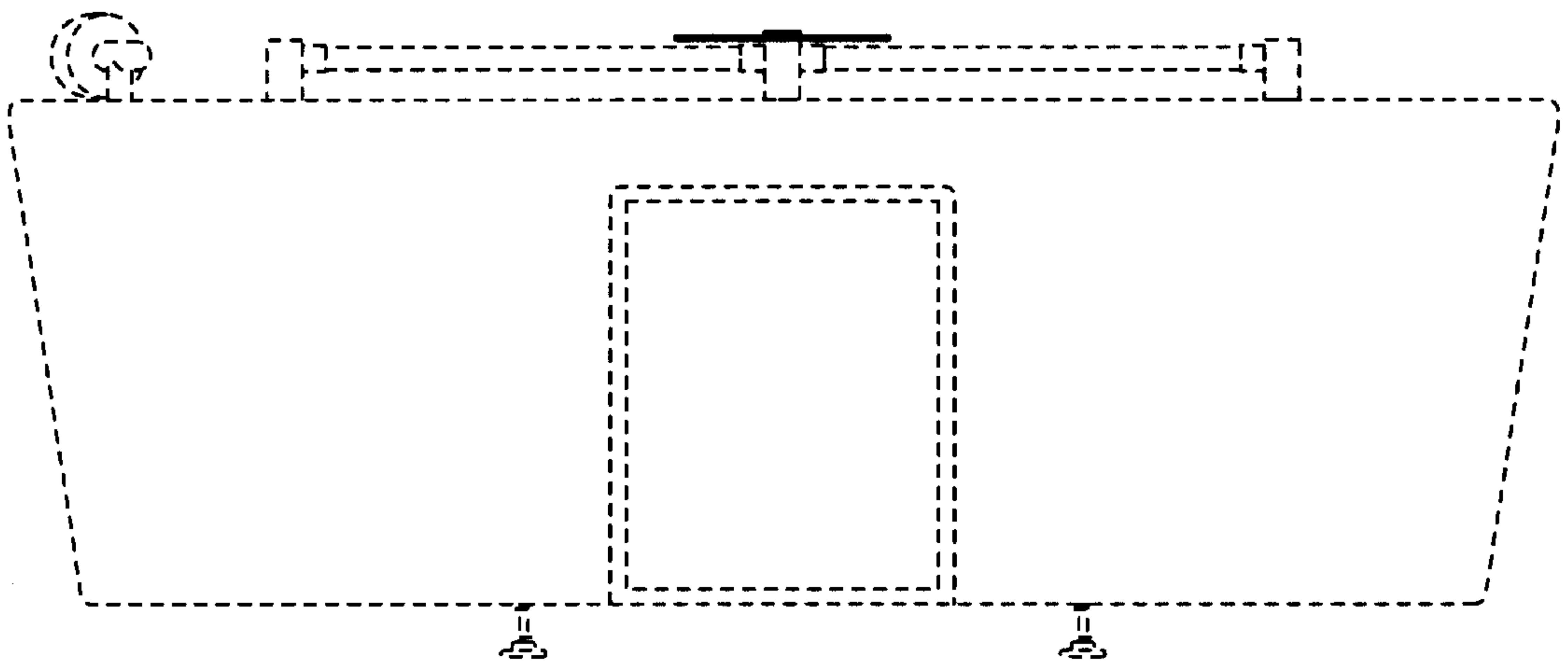


FIG. 5

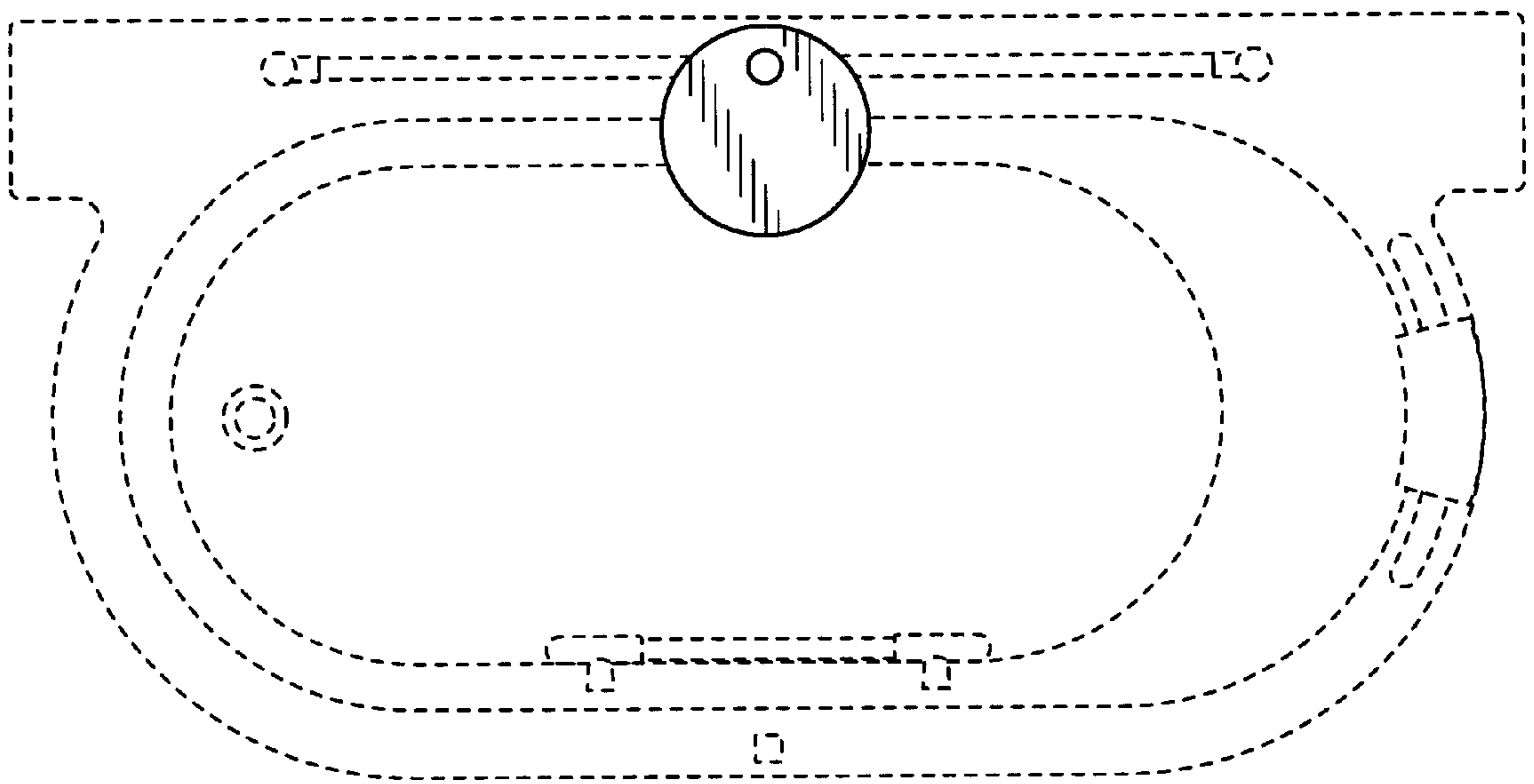


FIG. 6

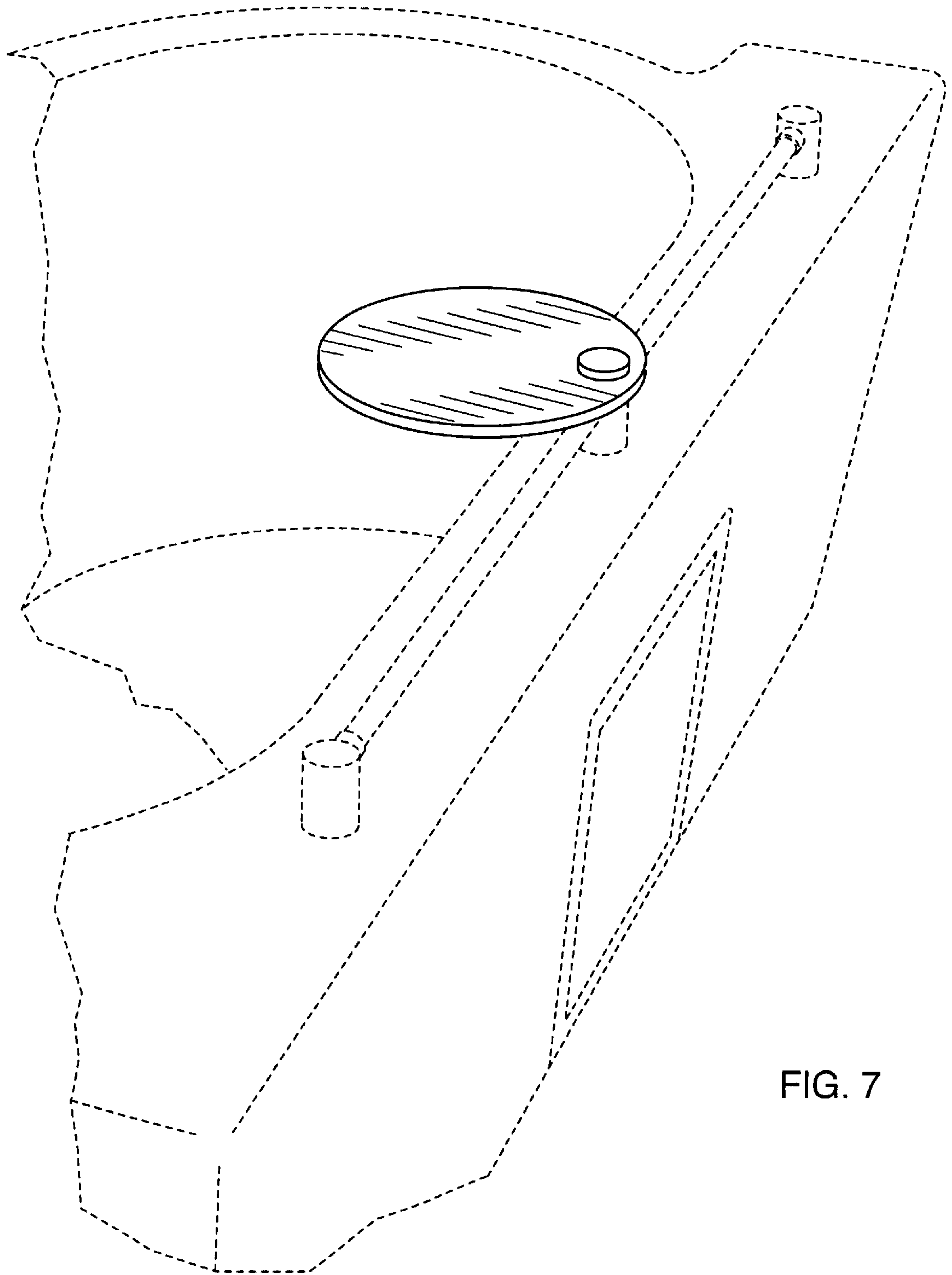


FIG. 7



FIG. 8

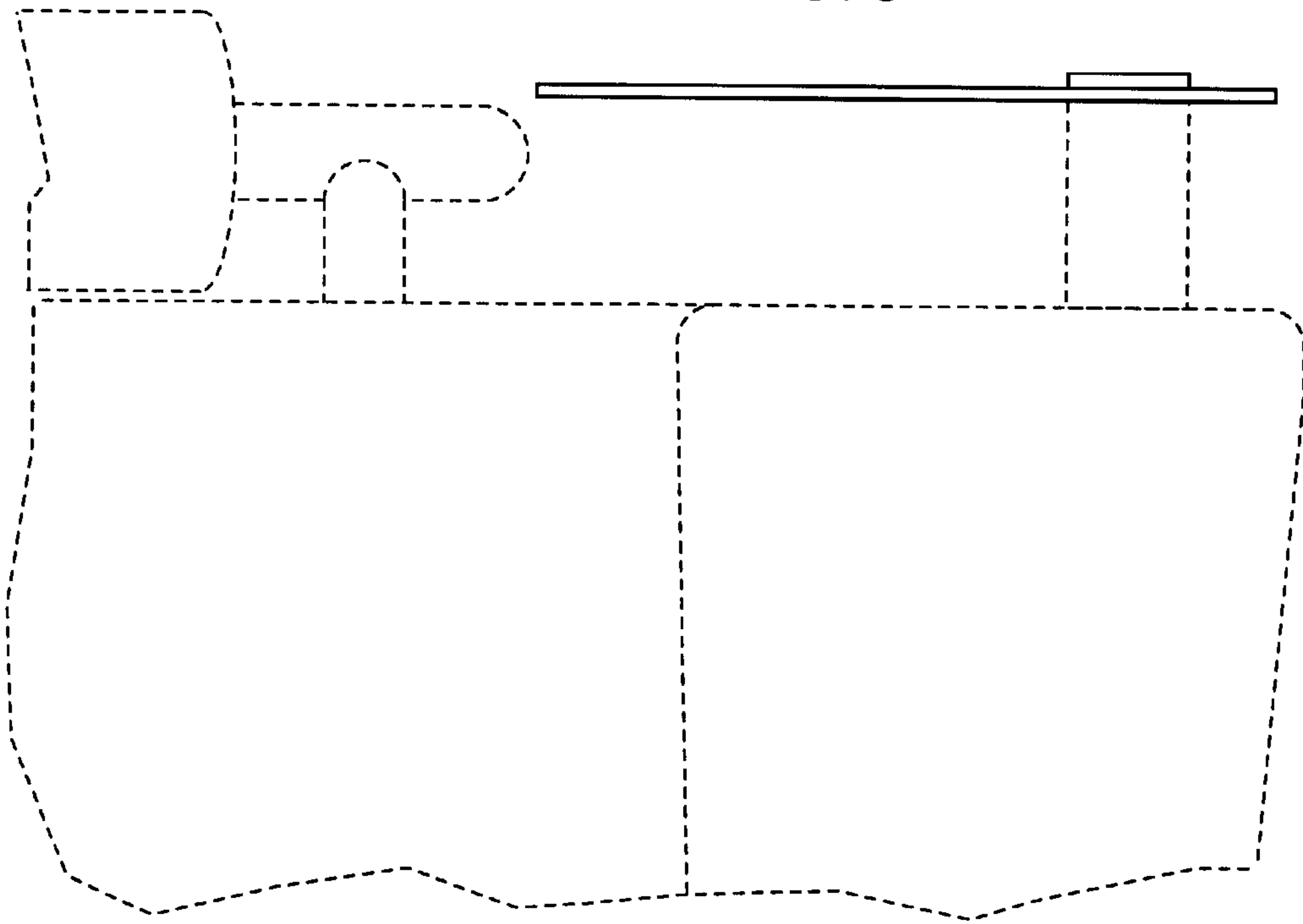
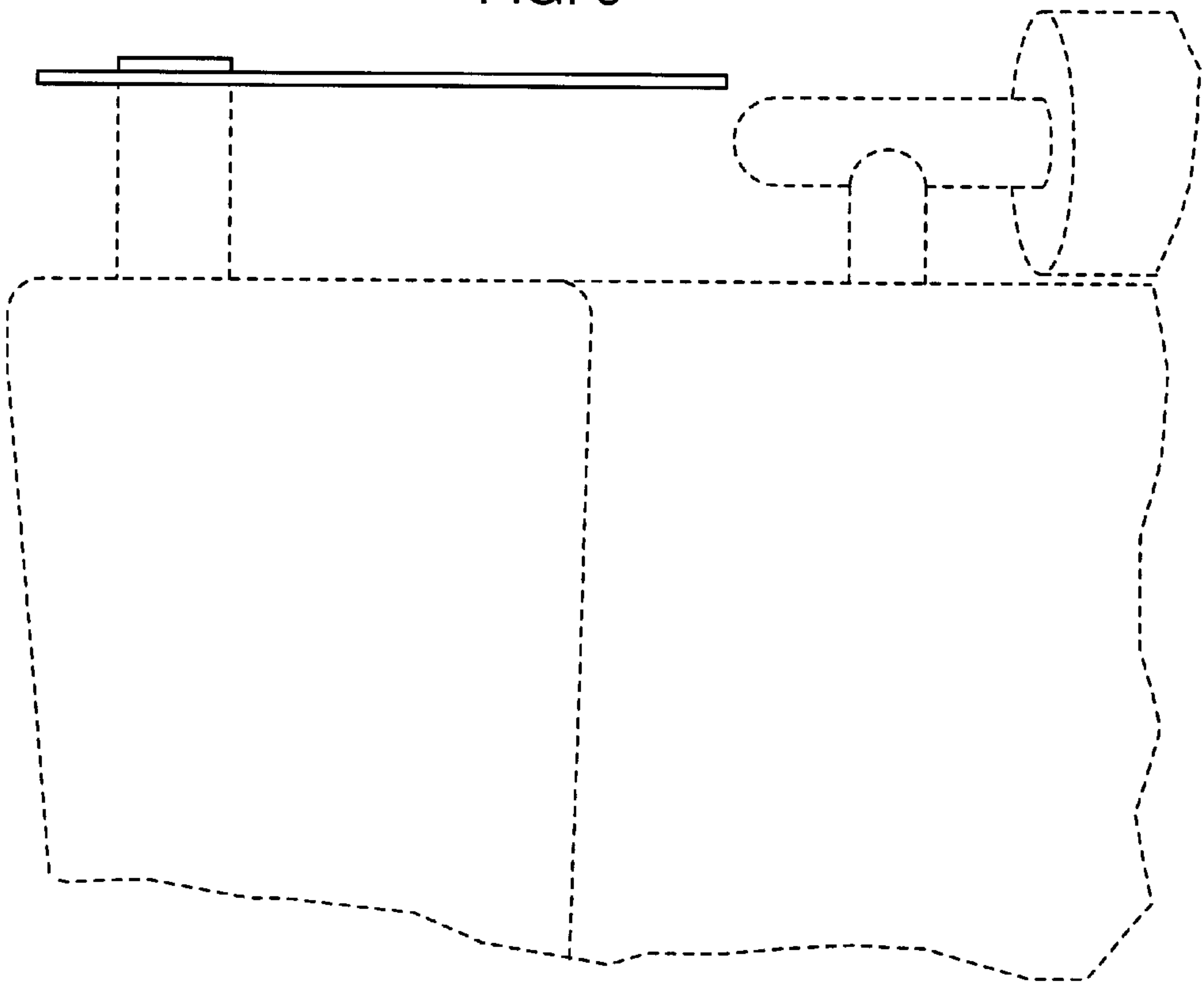


FIG. 9





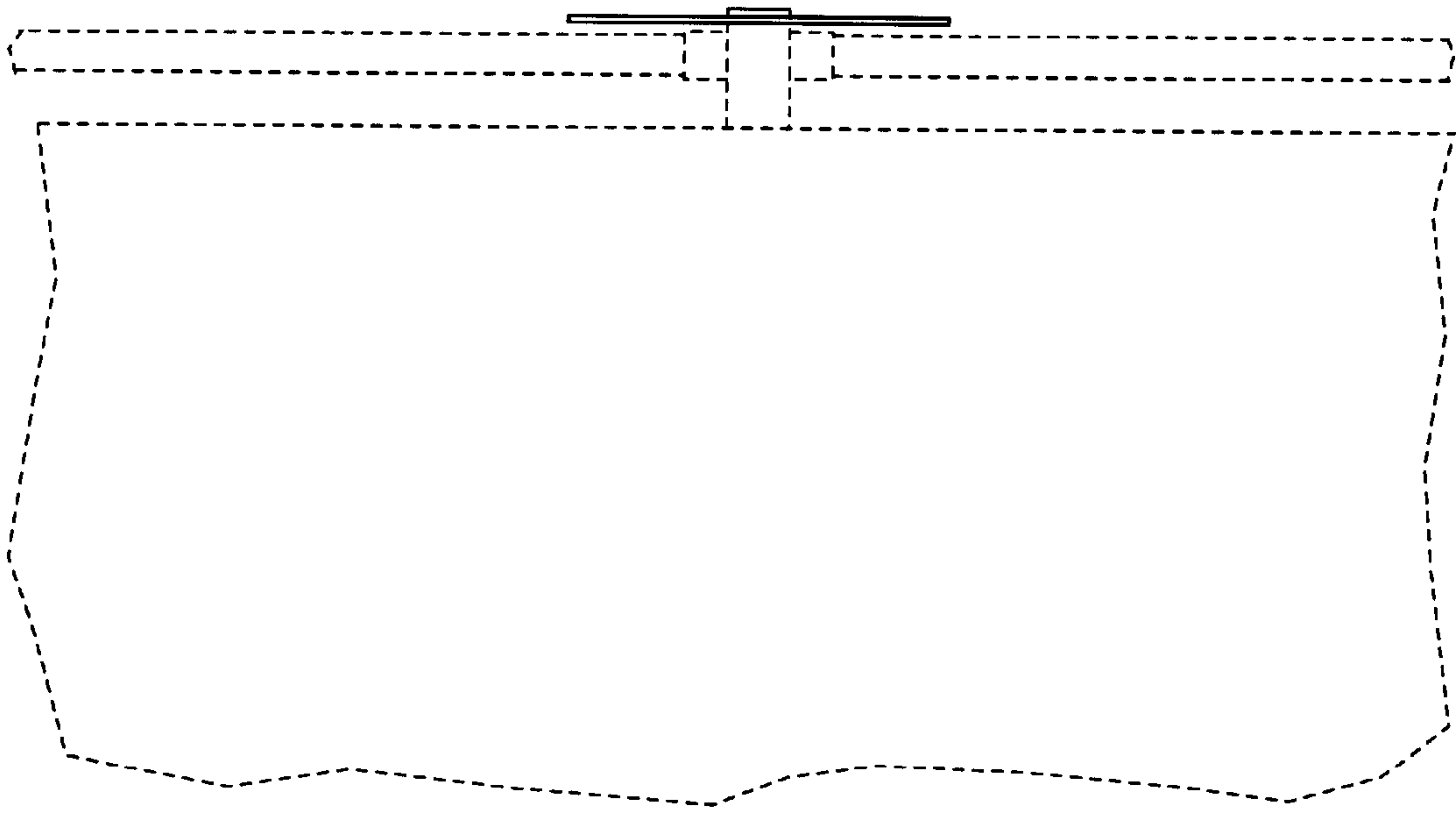


FIG. 10

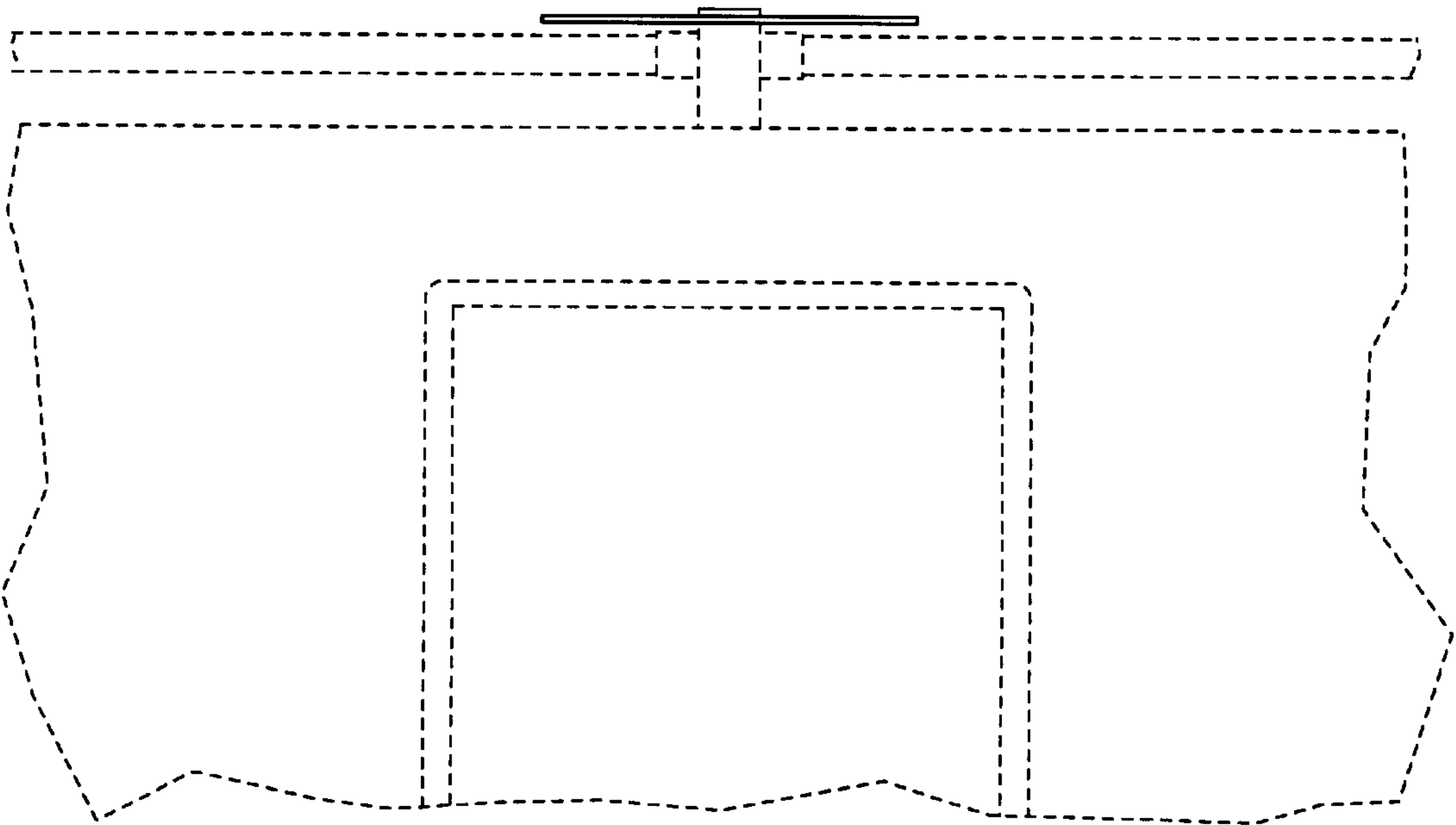


FIG. 11

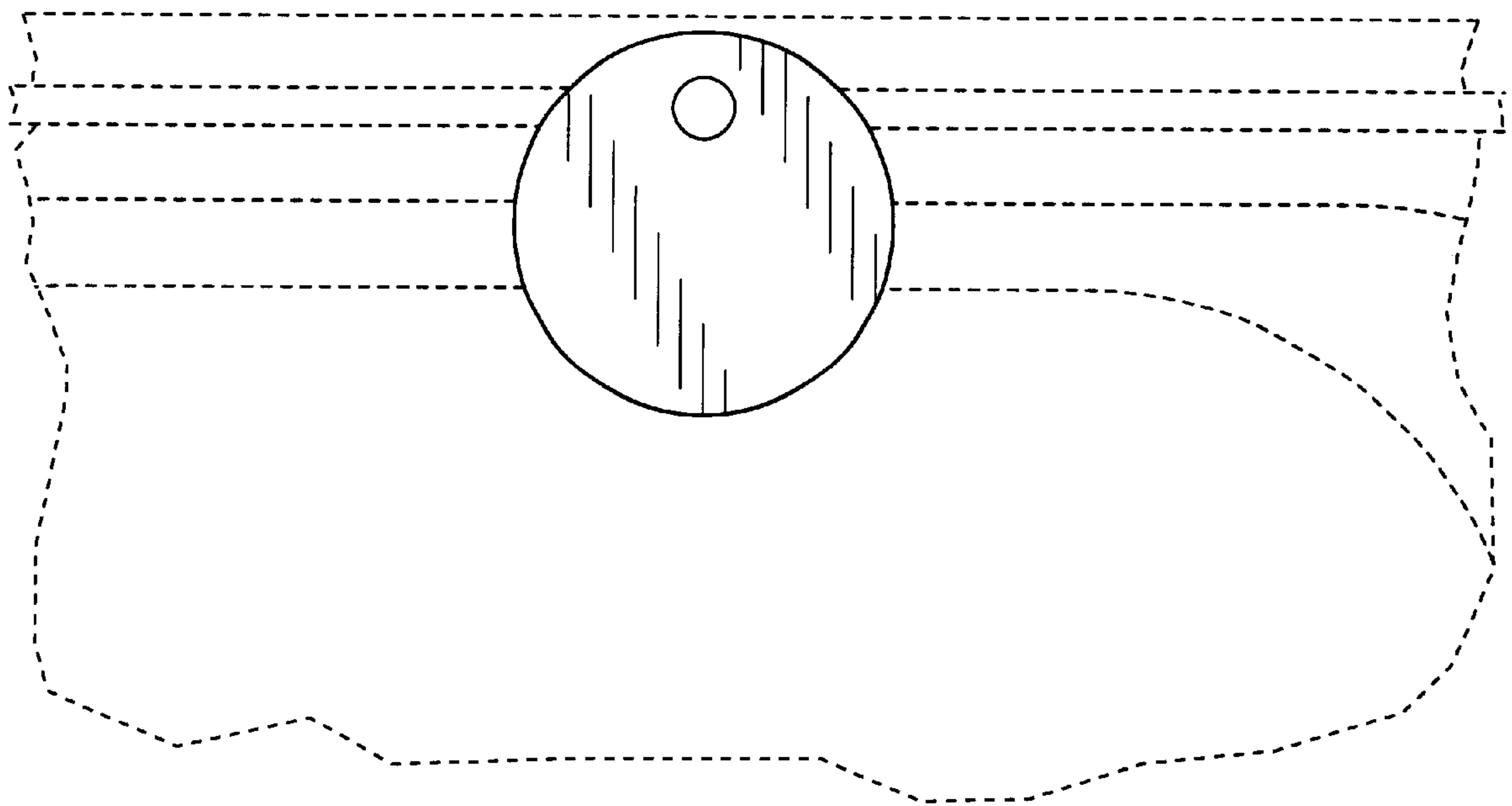


FIG. 12