



US00D491647S

(12) **United States Design Patent**  
**Booberg**

(10) **Patent No.:** **US D491,647 S**

(45) **Date of Patent:** **\*\* Jun. 15, 2004**

(54) **URINAL**

(76) **Inventor:** **Ylva Booberg**, Folkungagatan 56, 116  
22 Stockholm (SE)

(\*\*) **Term:** **14 Years**

(21) **Appl. No.:** **29/171,805**

(22) **Filed:** **Nov. 27, 2002**

(30) **Foreign Application Priority Data**

May 28, 2002 (SE) ..... 02-0852

(51) **LOC (7) Cl.** ..... **23-02**

(52) **U.S. Cl.** ..... **D23/302**

(58) **Field of Search** ..... D23/274, 300,  
D23/303, 309, 302, 313; 4/664, 301-306,  
308-310, 462-463, 114.1, 114.2, 114.3,  
114.4; D24/117, 122-123

(56) **References Cited**

**U.S. PATENT DOCUMENTS**

279,566 A \* 6/1883 Hyde ..... 4/301  
479,712 A \* 7/1892 Jukes ..... 4/463

725,050 A \* 4/1903 Davis ..... D23/295  
D155,875 S \* 11/1949 Davidson ..... D23/313  
3,074,076 A \* 1/1963 Kersten ..... D23/299

\* cited by examiner

*Primary Examiner*—Louis S. Zarfes  
*Assistant Examiner*—Robert A Delehanty  
(74) *Attorney, Agent, or Firm*—Ostrolenk, Faber, Gerb &  
Soffen, LLP

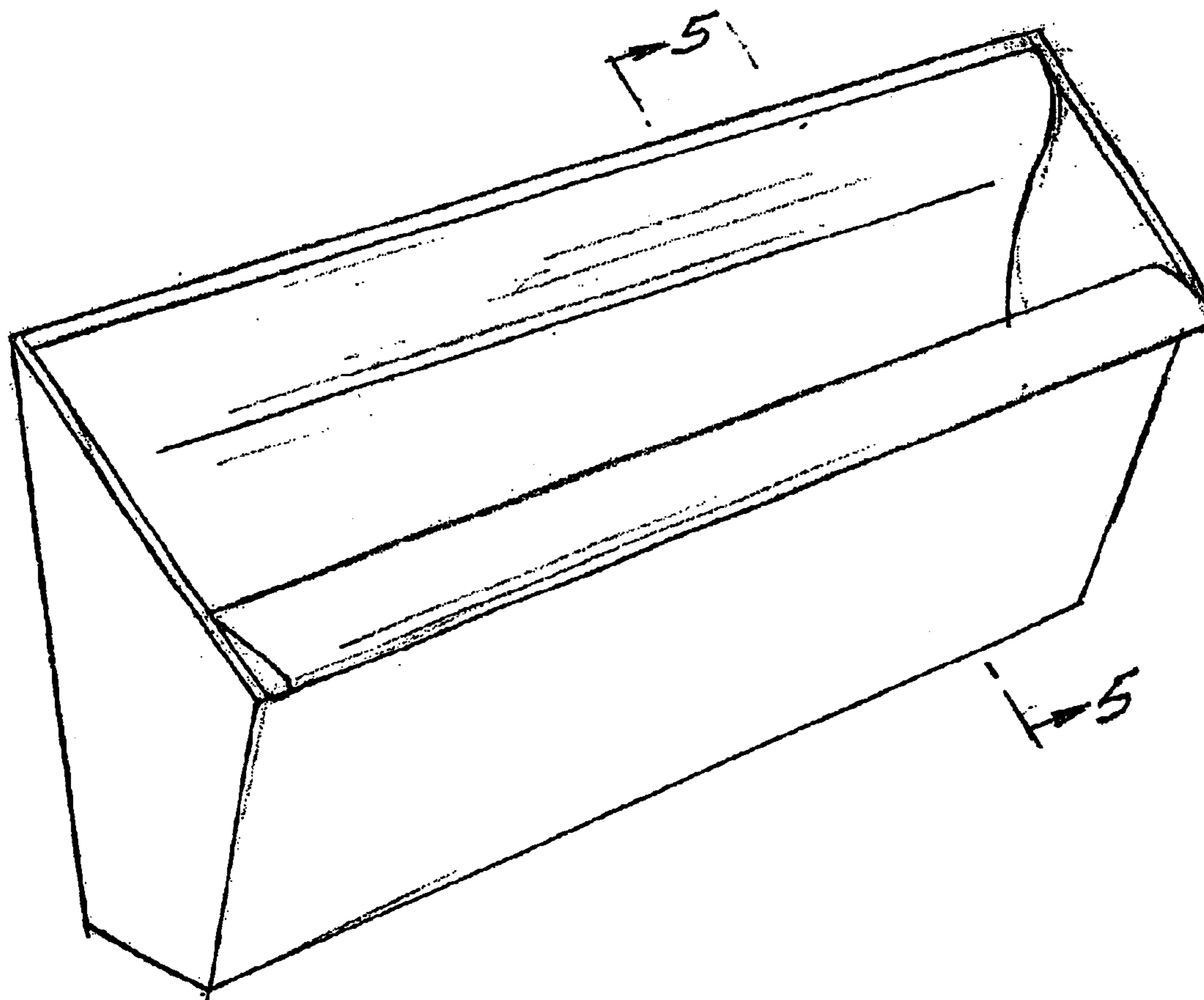
(57) **CLAIM**

The ornamental design for a urinal, as shown and described.

**DESCRIPTION**

FIG. 1 is a top front perspective view of a urinal showing my new design;  
FIG. 2 is a top view thereof;  
FIG. 3 is a bottom view thereof;  
FIG. 4 is an end view thereof with the opposite end view being a mirror image;  
FIG. 5 is a cross-sectional view thereof;  
FIG. 6 is a front view thereof; and,  
FIG. 7 is a rear view thereof.

**1 Claim, 2 Drawing Sheets**



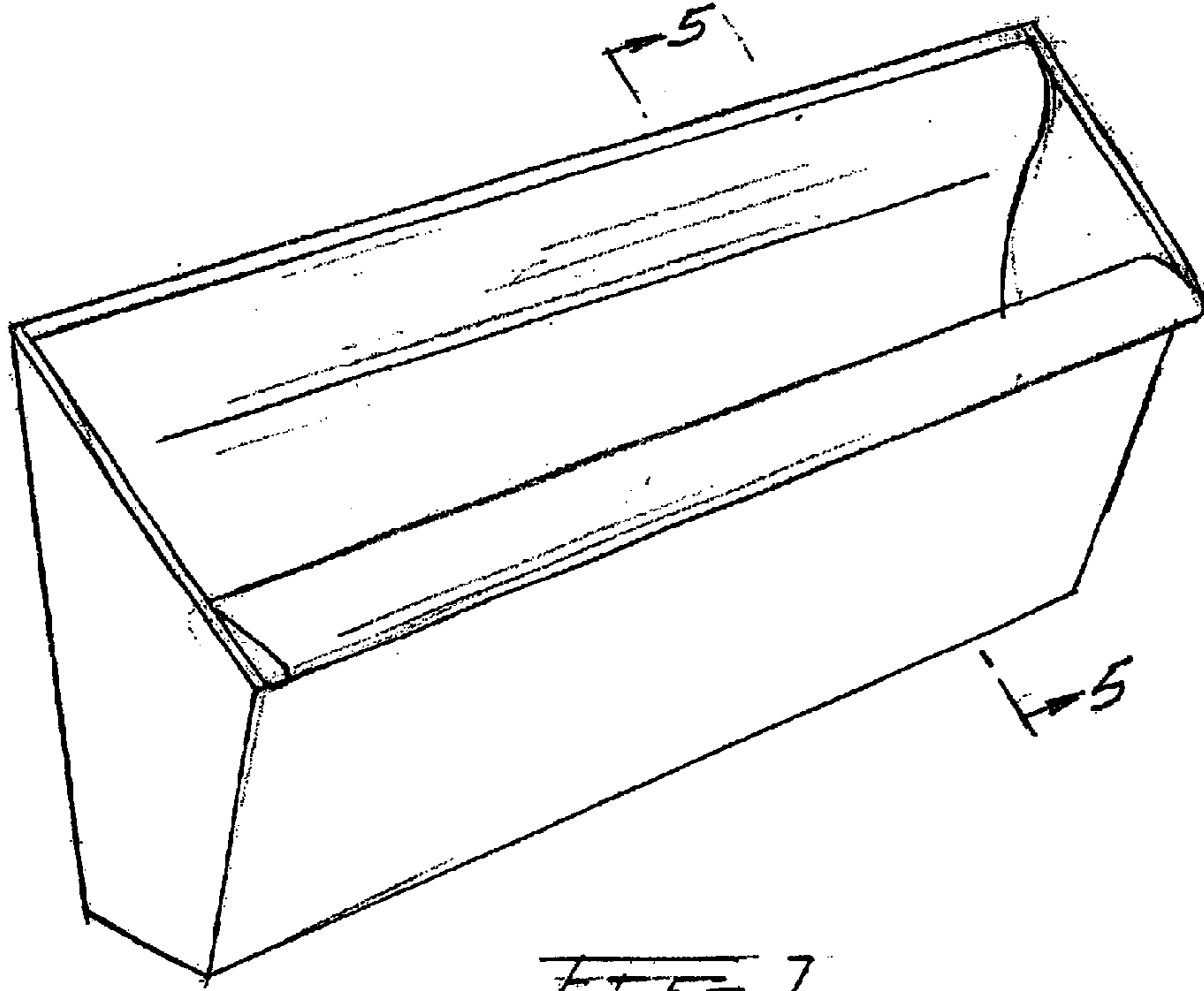


FIG. 1

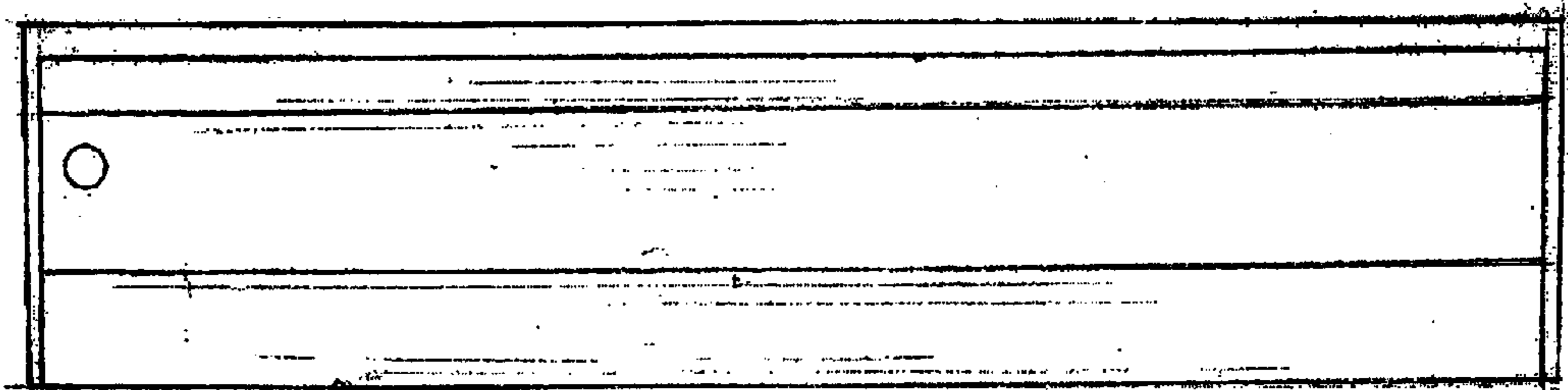


FIG. 2

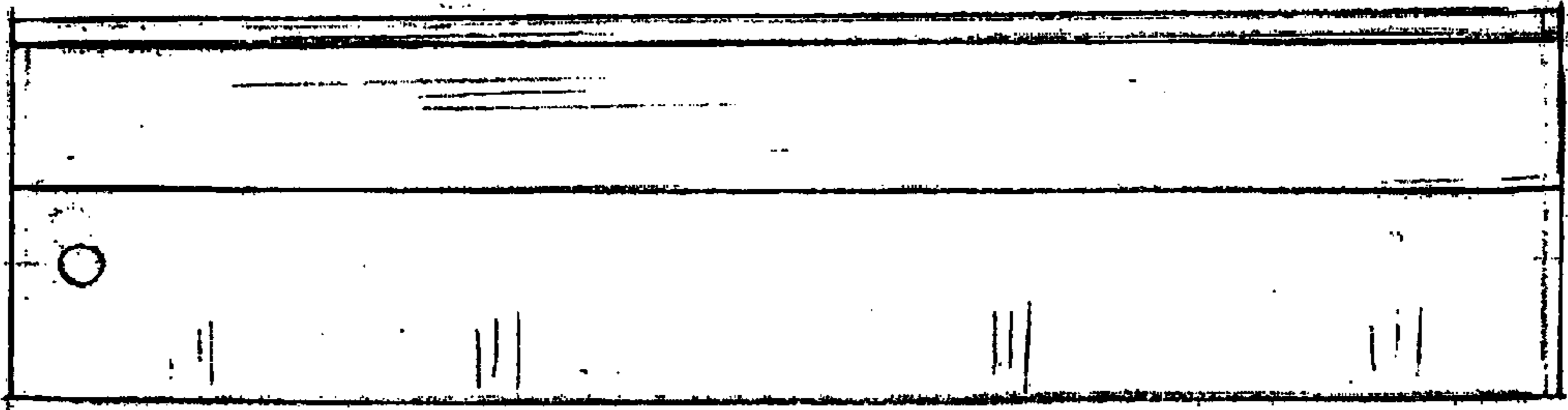
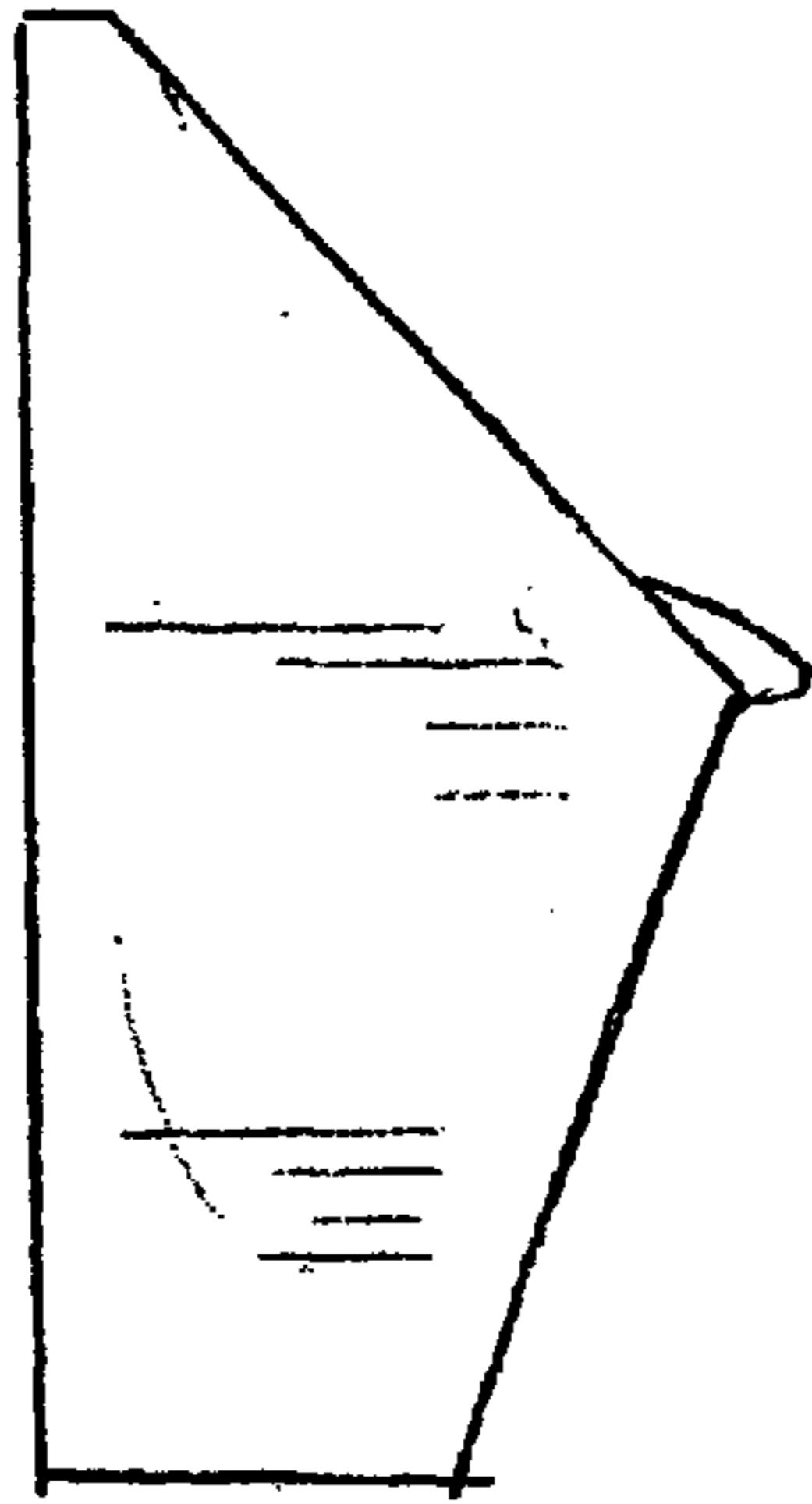
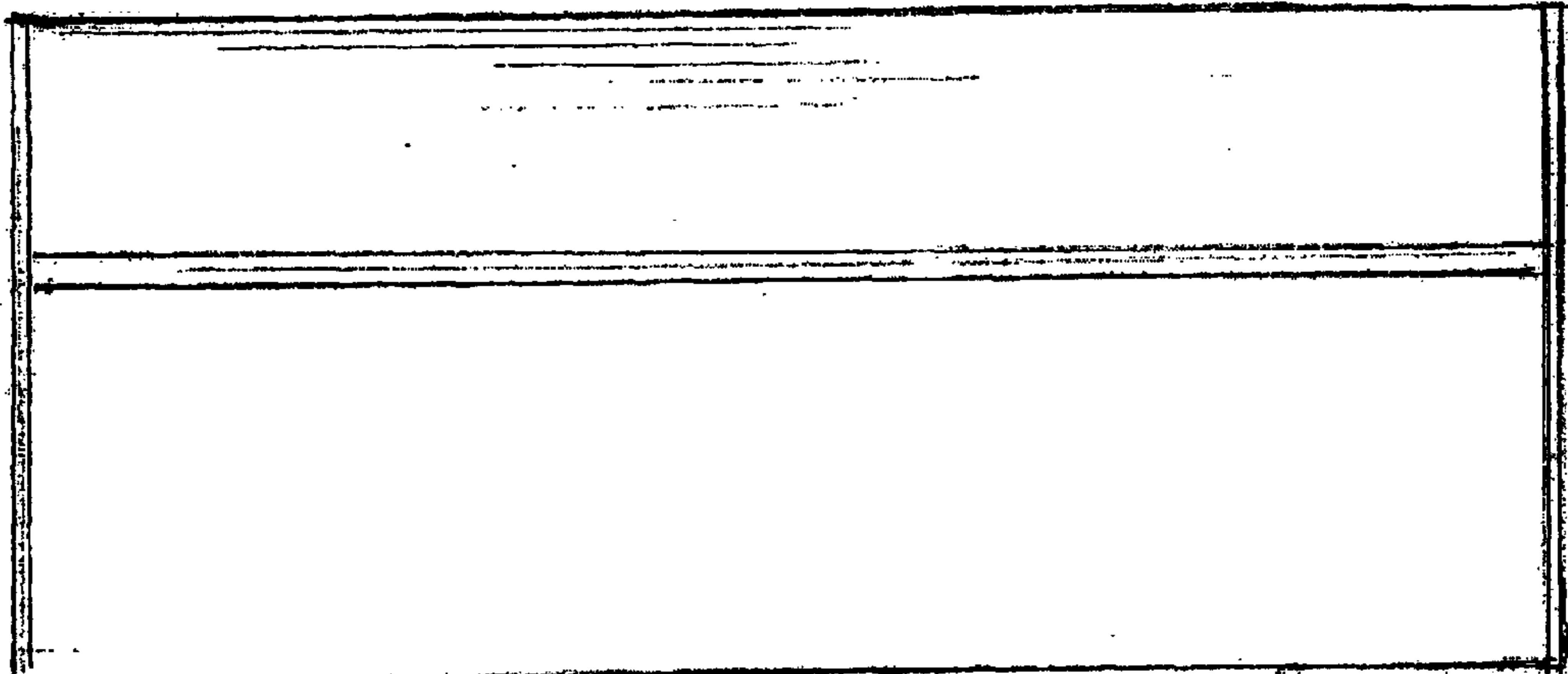
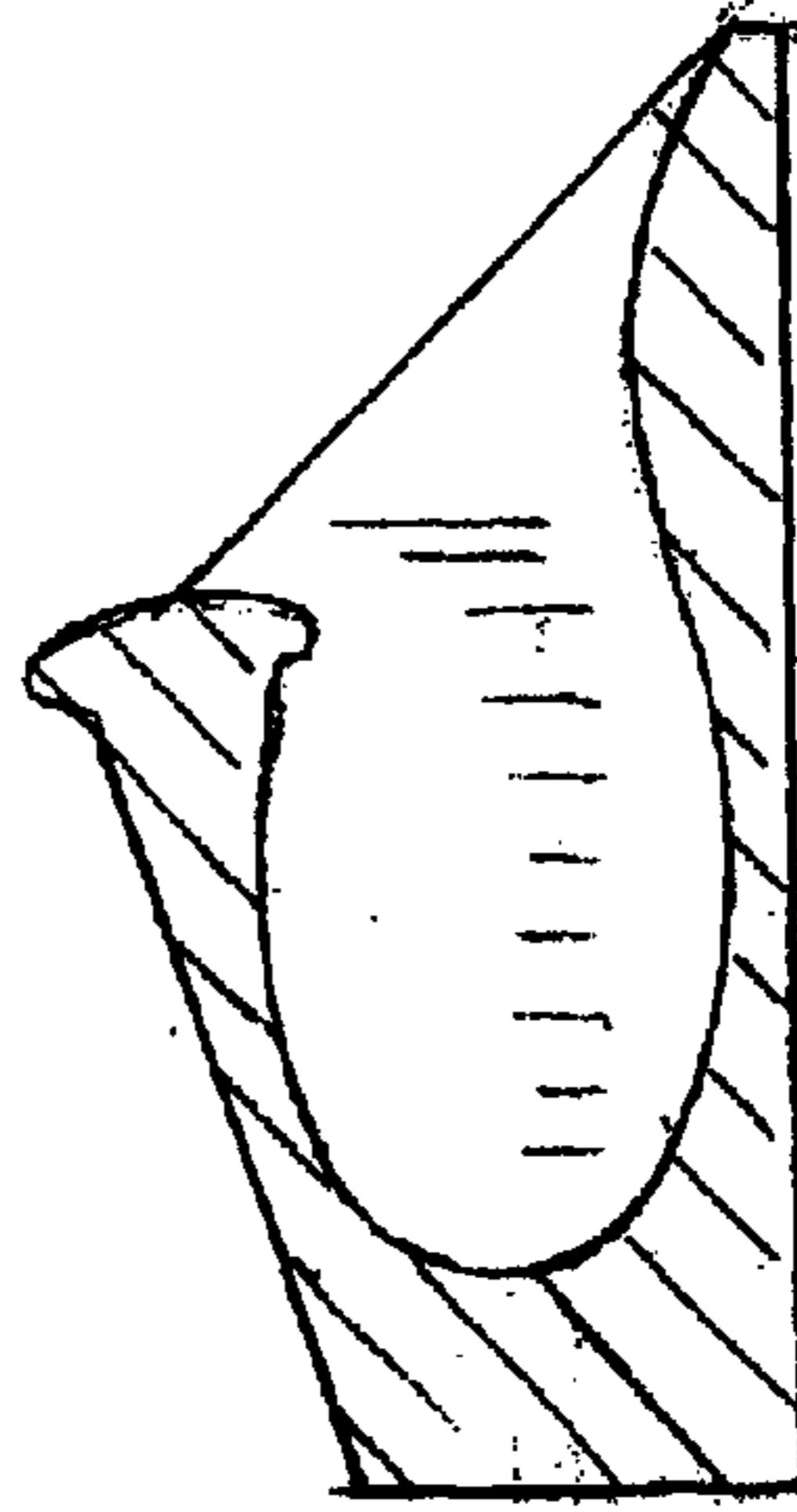


FIG. 3

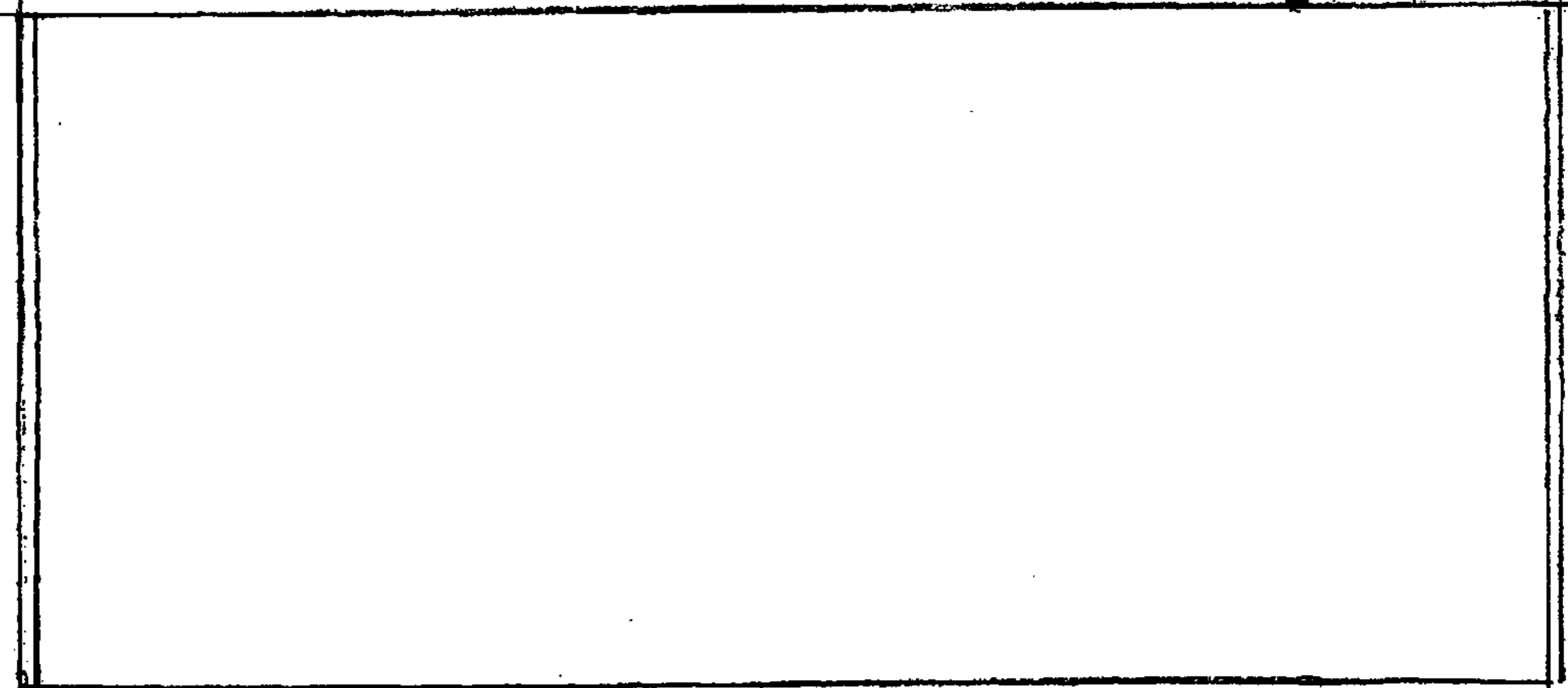
~~FIG. 4~~



~~FIG. 5~~



~~FIG. 6~~



~~FIG. 7~~