



US00D491643S

(12) **United States Design Patent**
Lanius

(10) **Patent No.:** **US D491,643 S**

(45) **Date of Patent:** **** Jun. 15, 2004**

(54) **LAVATORY**

(75) Inventor: **Jason T. Lanius**, Sheboygan, WI (US)

(73) Assignee: **Kohler Co.**, Kohler, WI (US)

(**) Term: **14 Years**

(21) Appl. No.: **29/174,463**

(22) Filed: **Jan. 17, 2003**

(51) **LOC (7) Cl.** **23-02**

(52) **U.S. Cl.** **D23/293.1**

(58) **Field of Search** D23/270-271,
D23/273, 284-285, 290-292, 293.1, 303,
308; 4/664-665, 619, 522, 623-624, 639-642,
650-651, 660-661

(56) **References Cited**

U.S. PATENT DOCUMENTS

| | | | |
|------------|----------|------------------|---------------|
| D77,877 S | 3/1929 | Brain | |
| D88,713 S | 12/1932 | Kohler et al. | |
| D115,623 S | 7/1939 | Kohlmeyer | |
| D117,810 S | 11/1939 | Kohlmeyer et al. | |
| D442,679 S | 5/2001 | Roberts | |
| D443,048 S | 5/2001 | Smith | |
| D468,413 S | * 1/2003 | McKeone | D23/308 |
| D479,587 S | * 9/2003 | Smith | D23/292 |

OTHER PUBLICATIONS

2000 Kohler catalog ad, p. 14.17 showing a "Memoirs" pedestal lavatory.
2000 Kohler catalog ad, p. 14.11, showing a "Memoirs" vanity top lavatory.

Not prior art—A co-pending application by the same applicant entitled "Lavatory". 29/174,474.

* cited by examiner

Primary Examiner—Louis S. Zarfes

Assistant Examiner—Robert A Delehanty

(74) *Attorney, Agent, or Firm*—Quarles & Brady LLP

(57) **CLAIM**

The ornamental design for a lavatory, as shown and described.

DESCRIPTION

In a preferred embodiment, the nature of this product is as a plumbing fixture in the form of a self-rimming lavatory which is primarily useful for washing the body parts of humans.

FIG. 1 is a right, top, front perspective view of a lavatory embodying my new design;

FIG. 2 is a top plan view thereof;

FIG. 3 is a front elevational view thereof;

FIG. 4 is a right side elevational view thereof, the left side elevational view being a mirror image of the right side shown;

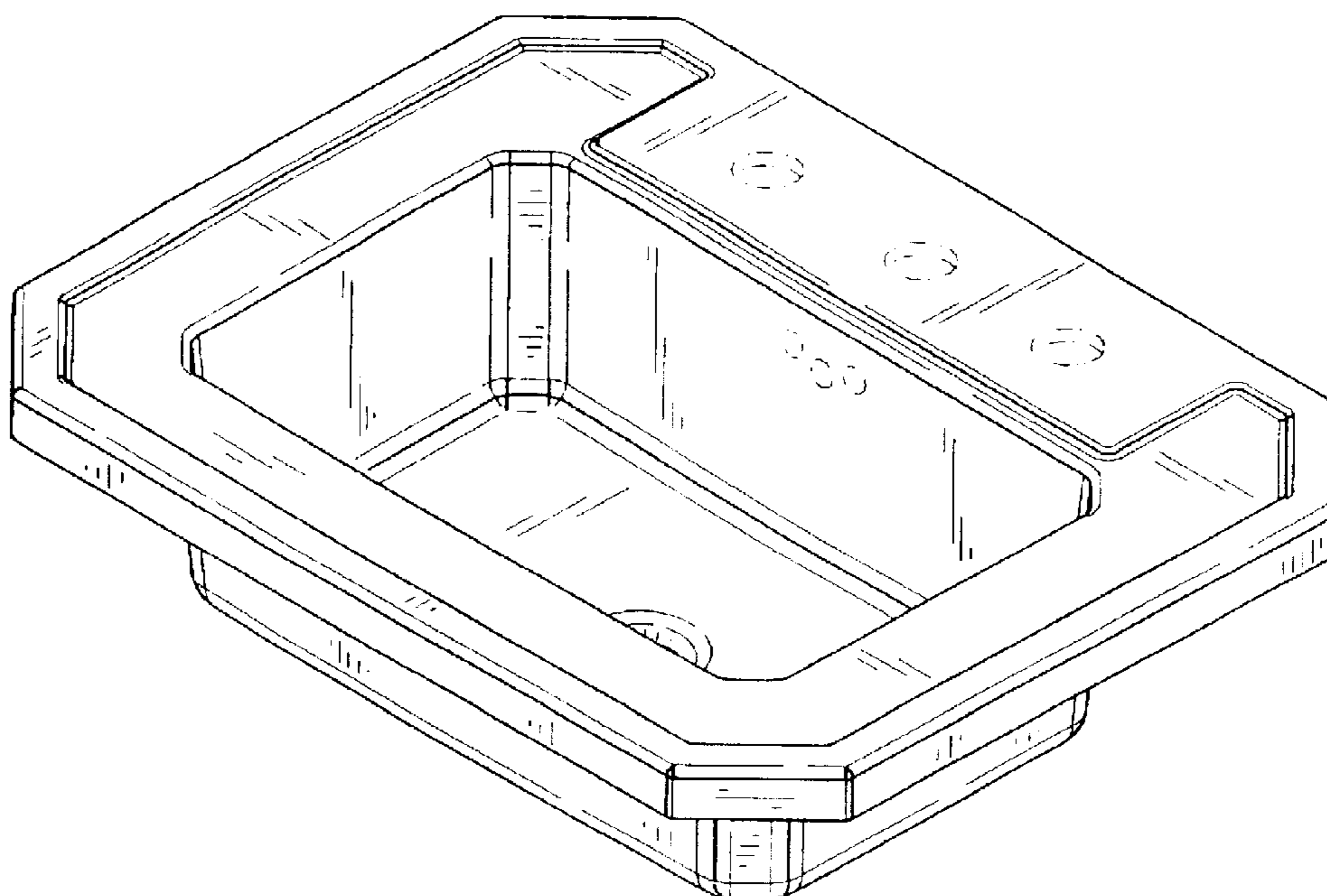
FIG. 5 is a rear elevational view thereof;

FIG. 6 is a bottom plan view thereof; and,

FIG. 7 is a cross-sectional view thereof taken along line 7-7 of FIG. 3.

The broken line representations of holes in FIGS. 1, 2, 6, and 7 are for the purpose of illustration only, and form no part of the claimed design.

1 Claim, 3 Drawing Sheets



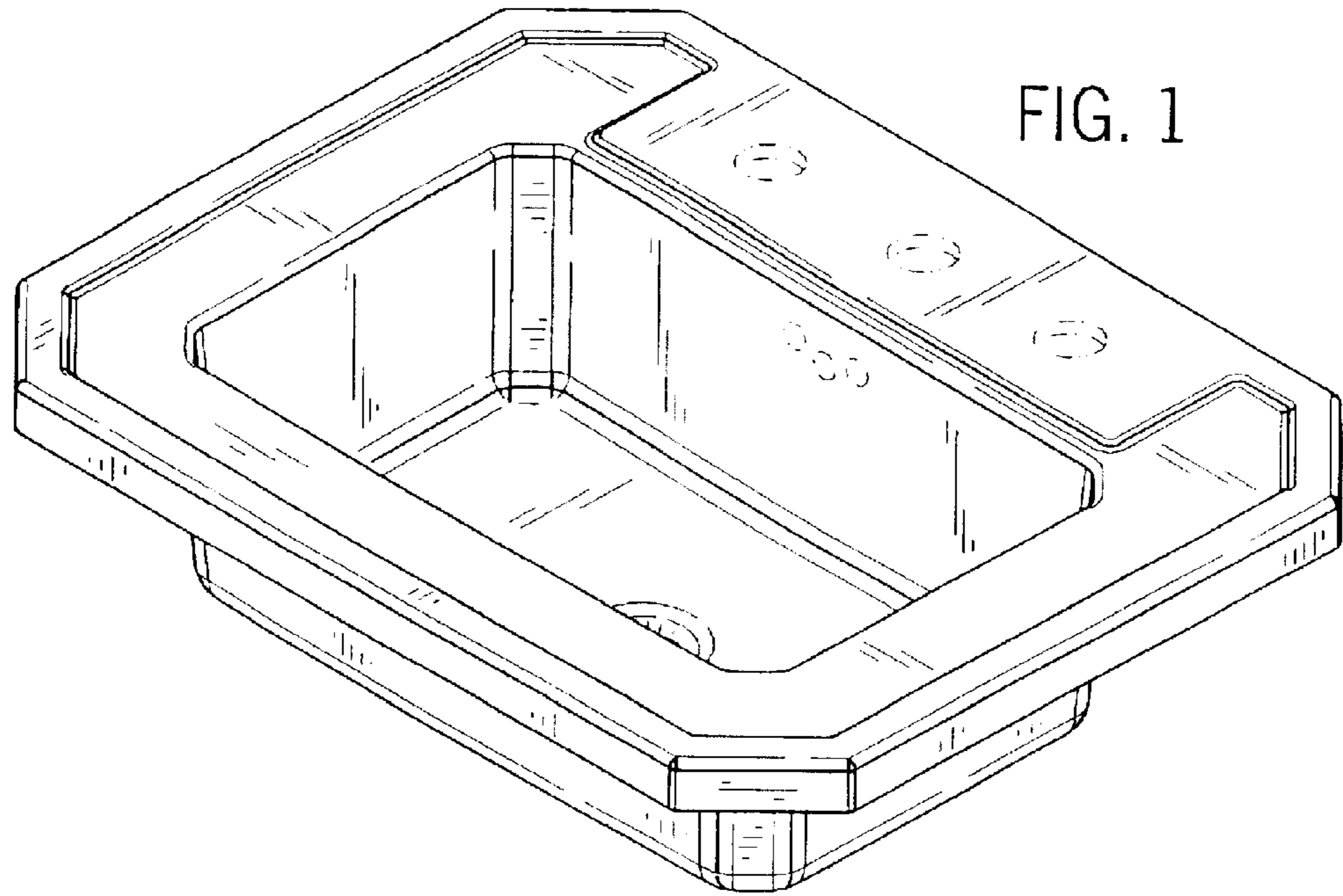


FIG. 2

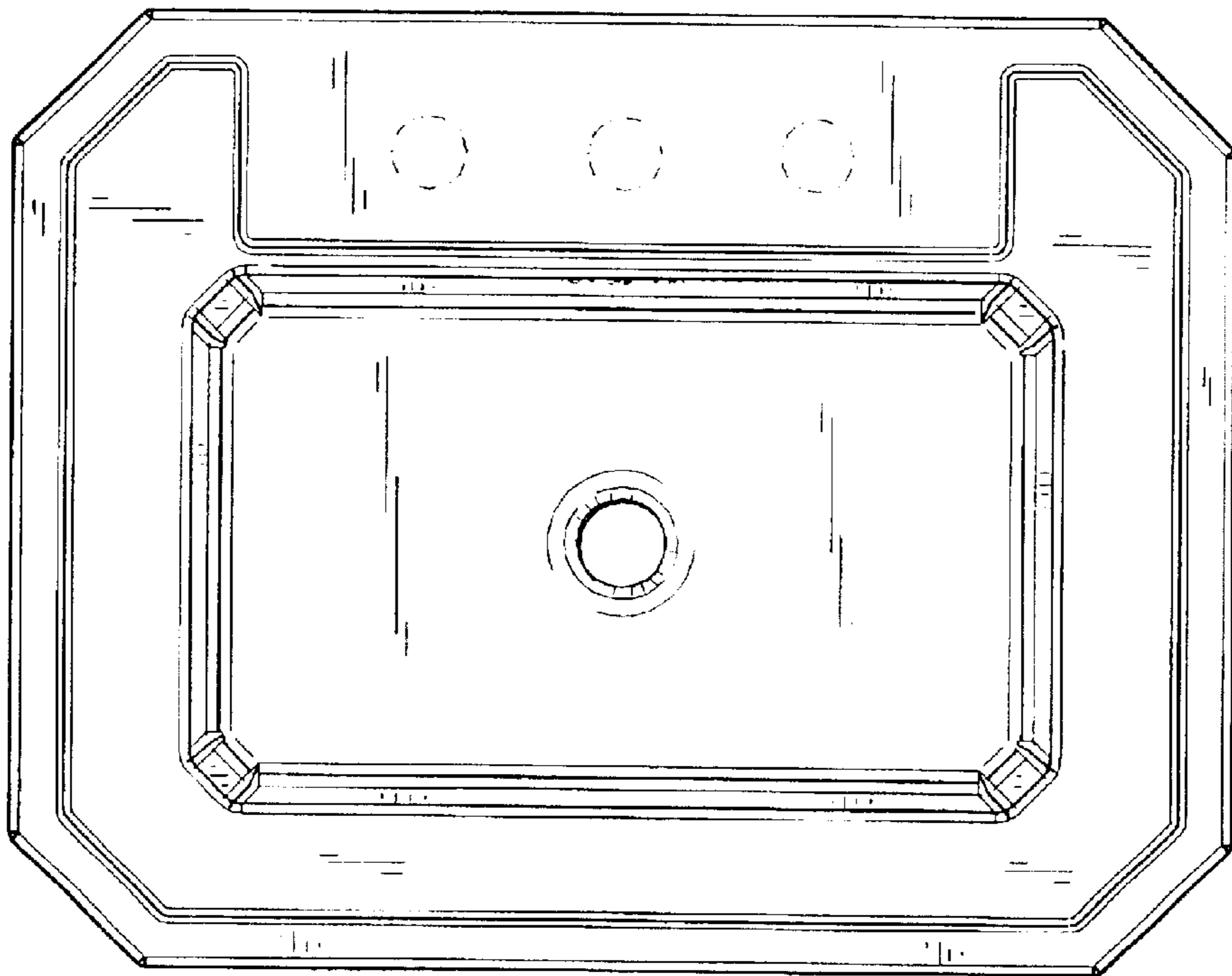


FIG. 3

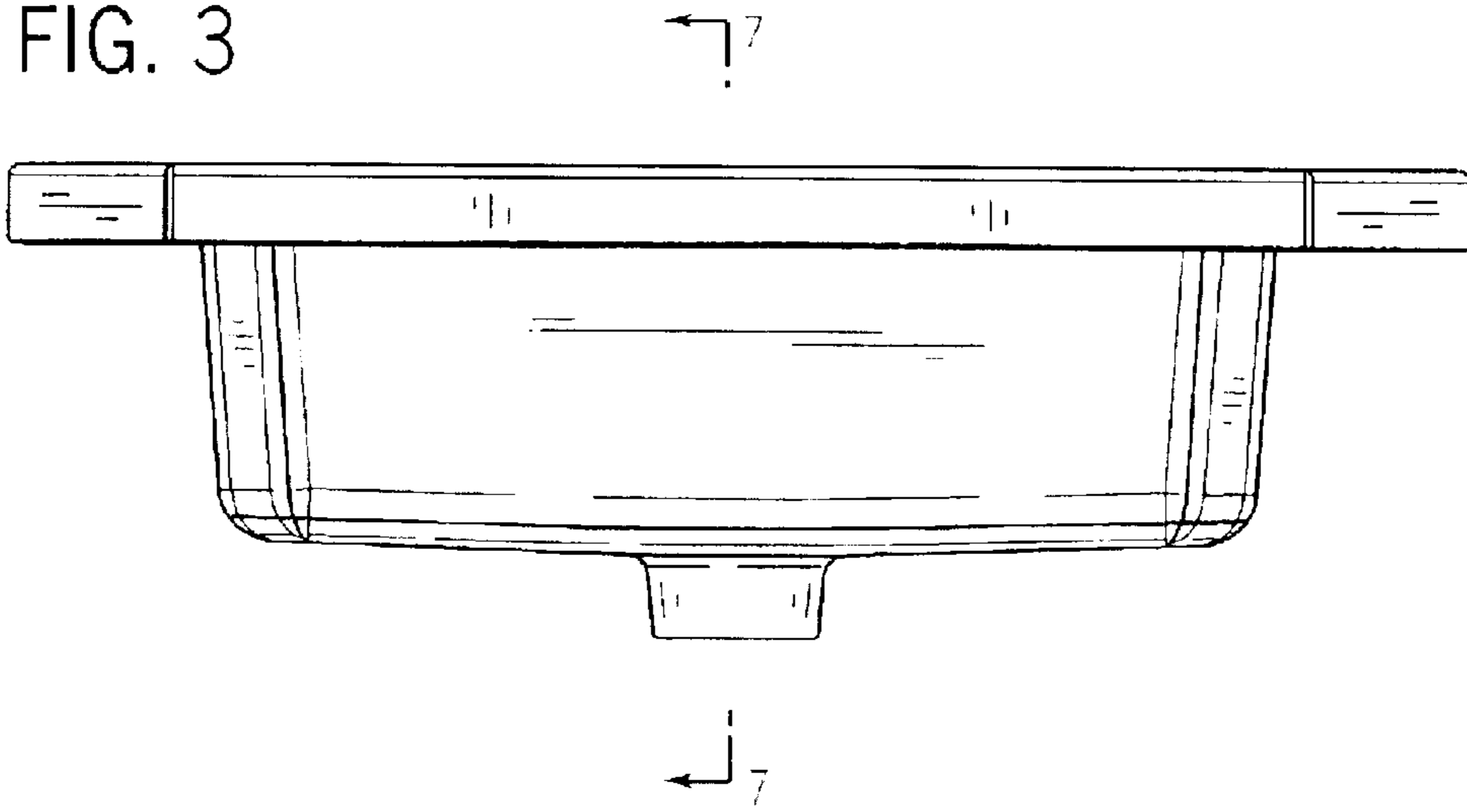


FIG. 4

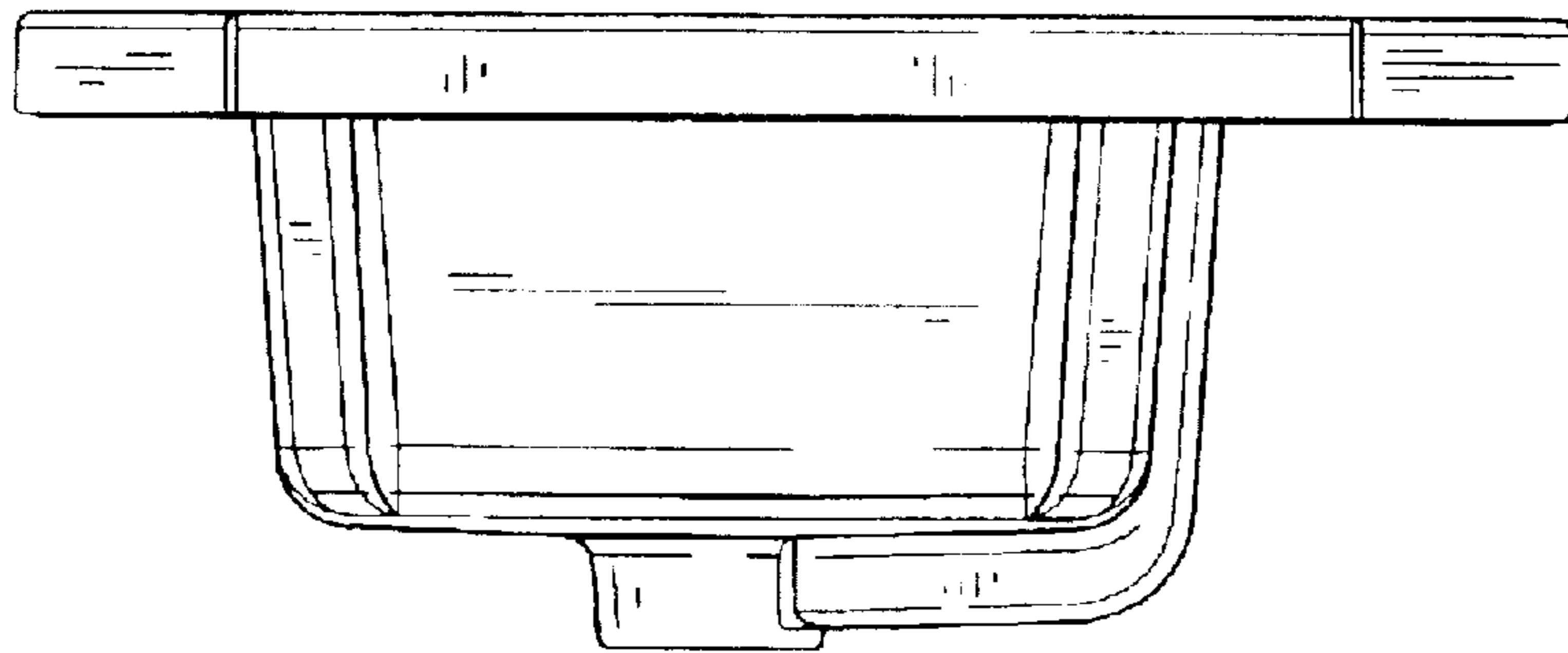


FIG. 5

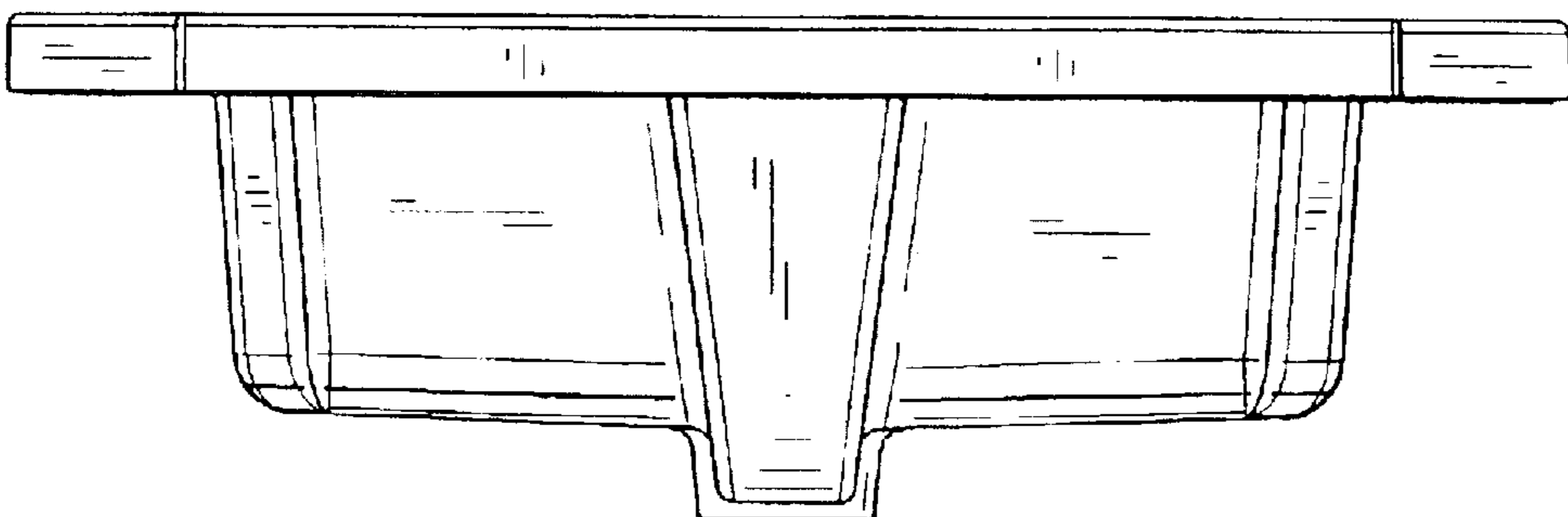


FIG. 6

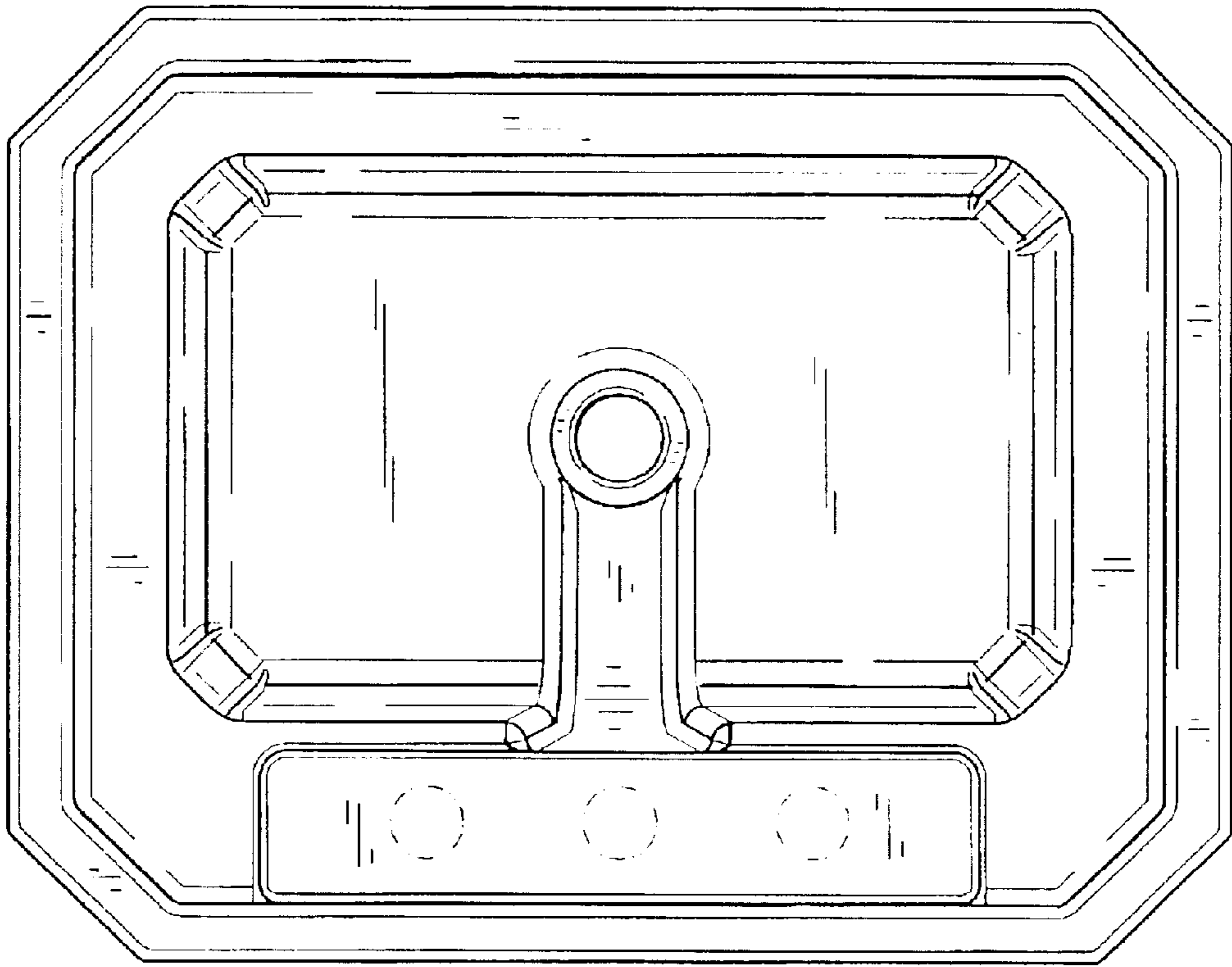


FIG. 7

