



US00D491636S

(12) **United States Design Patent**  
**Shieh**

(10) **Patent No.:** **US D491,636 S**

(45) **Date of Patent:** **\*\* Jun. 15, 2004**

(54) **FAUCET BASE**

(76) Inventor: **Ming Chun Shieh**, P.O. Box 63-99,  
Taichung (TW), 406

(\*\*) Term: **14 Years**

(21) Appl. No.: **29/185,060**

(22) Filed: **Jun. 18, 2003**

(51) **LOC (7) Cl.** ..... **23-01**

(52) **U.S. Cl.** ..... **D23/249; D23/248**

(58) **Field of Search** ..... **D23/238-257;**  
**4/675-678; 137/801**

(56) **References Cited**

**U.S. PATENT DOCUMENTS**

D460,150 S	*	7/2002	Rexach	.....	D23/238
D461,532 S	*	8/2002	Ouyoung	.....	D23/242
D462,749 S	*	9/2002	Lord	.....	D23/255
D465,265 S	*	11/2002	Czerwinski, Jr. et al.	..	D23/238
D472,607 S	*	4/2003	Warshawsky et al.	.....	D23/238
D479,584 S	*	9/2003	Shieh	.....	D23/249

\* cited by examiner

*Primary Examiner*—Louis S. Zarfes

*Assistant Examiner*—Gregory Andoll

(57) **CLAIM**

The ornamental design for a faucet base, as shown and described.

**DESCRIPTION**

FIG. 1 is a perspective view of a faucet base showing my new design;

FIG. 2 is a front elevational view thereof;

FIG. 3 is a rear elevational view thereof;

FIG. 4 is a top plan view thereof;

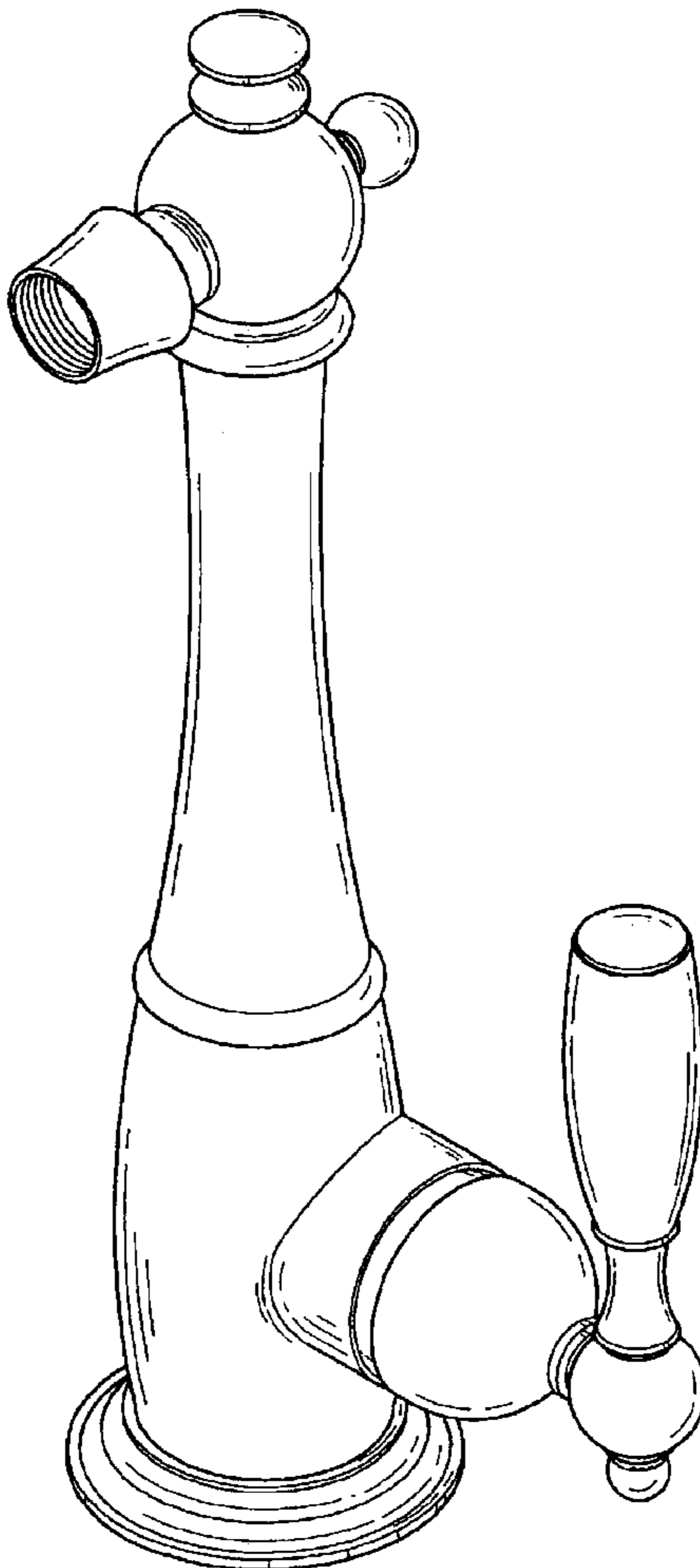
FIG. 5 is a bottom plan view thereof;

FIG. 6 is a left side elevational view thereof;

FIG. 7 is a right side elevational view thereof; and,

FIGS. 8, 9 are perspective views thereof, the hose depicted by means of broken lines being for illustrative purposes only and forming no part of the claimed design.

**1 Claim, 8 Drawing Sheets**



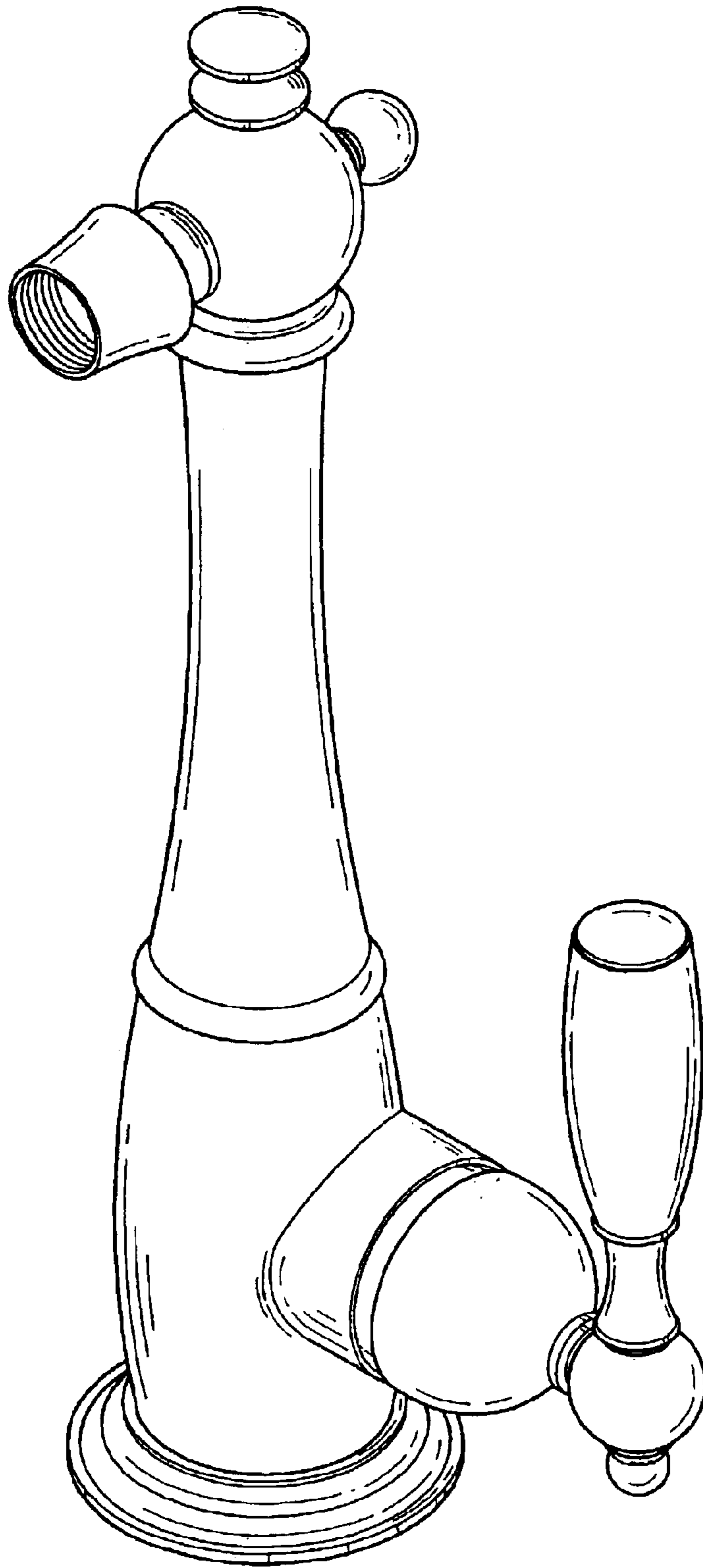


FIG. 1

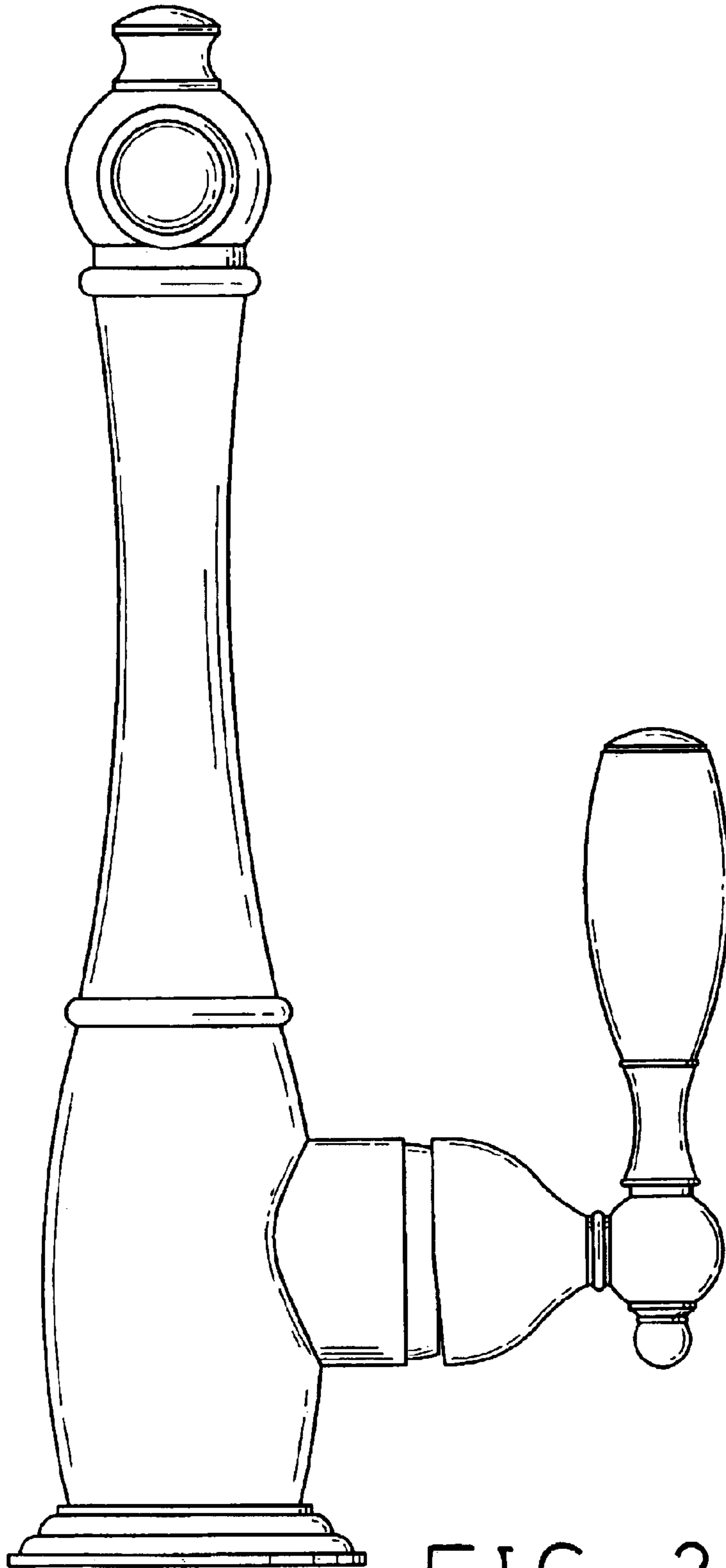


FIG. 2

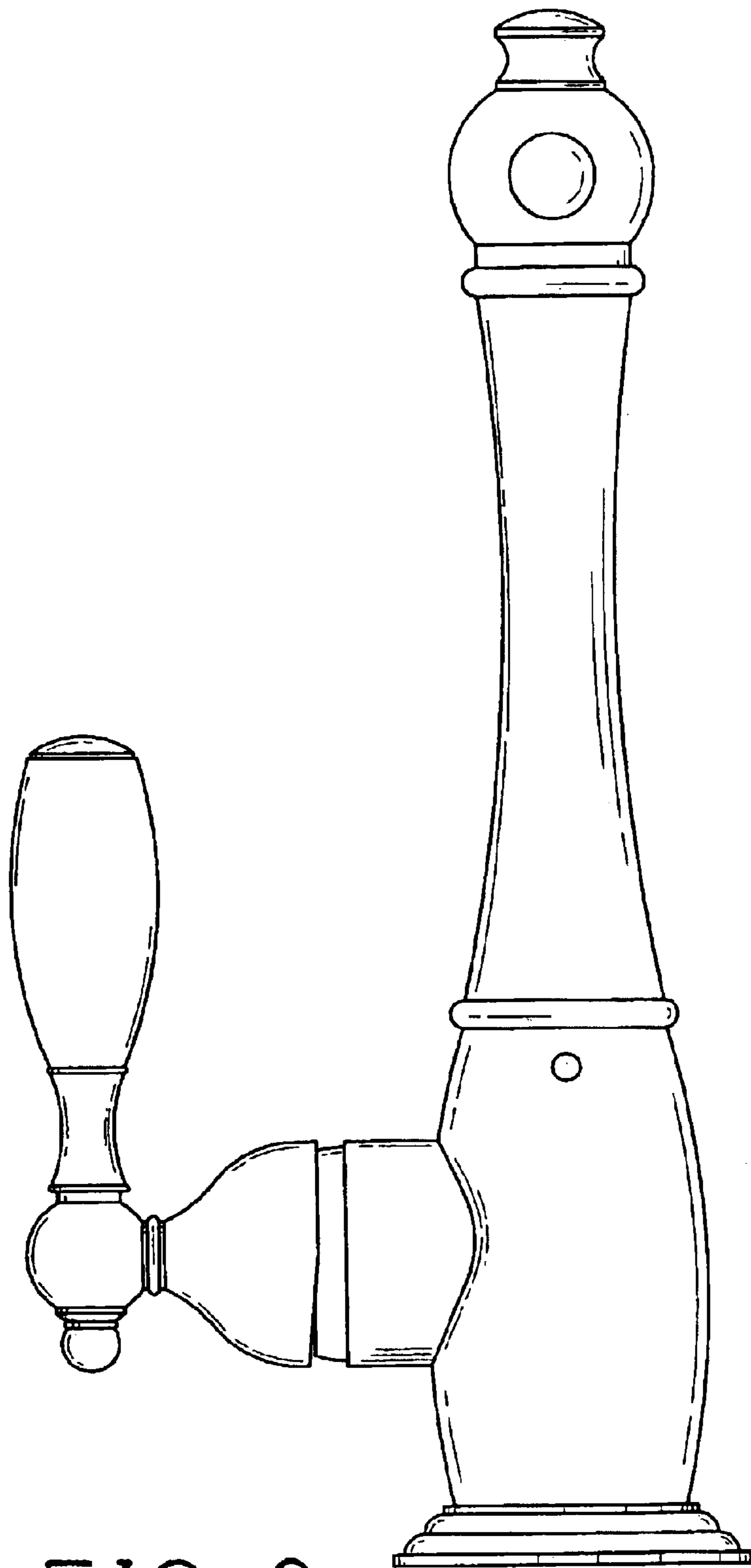


FIG. 3

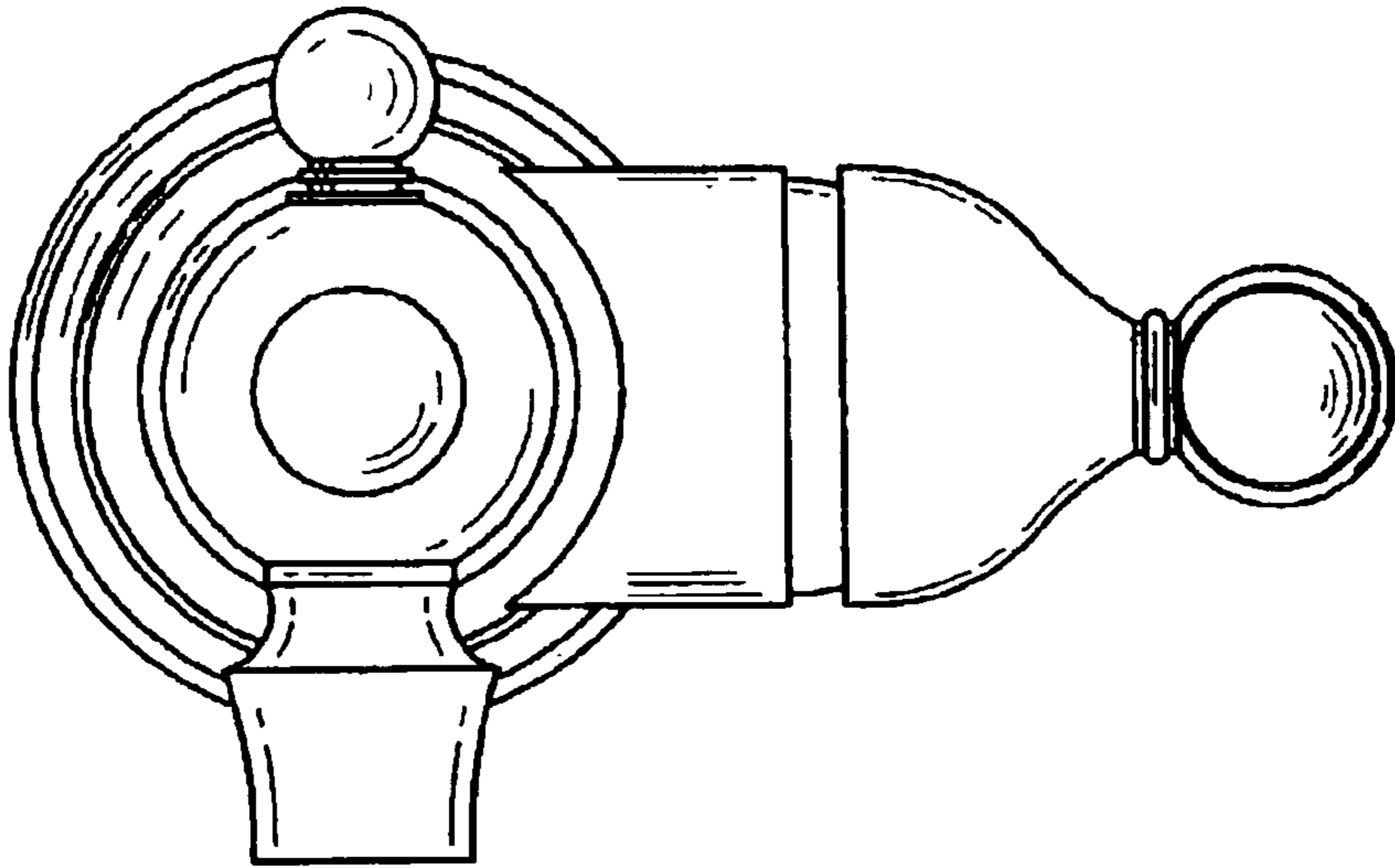


FIG. 4

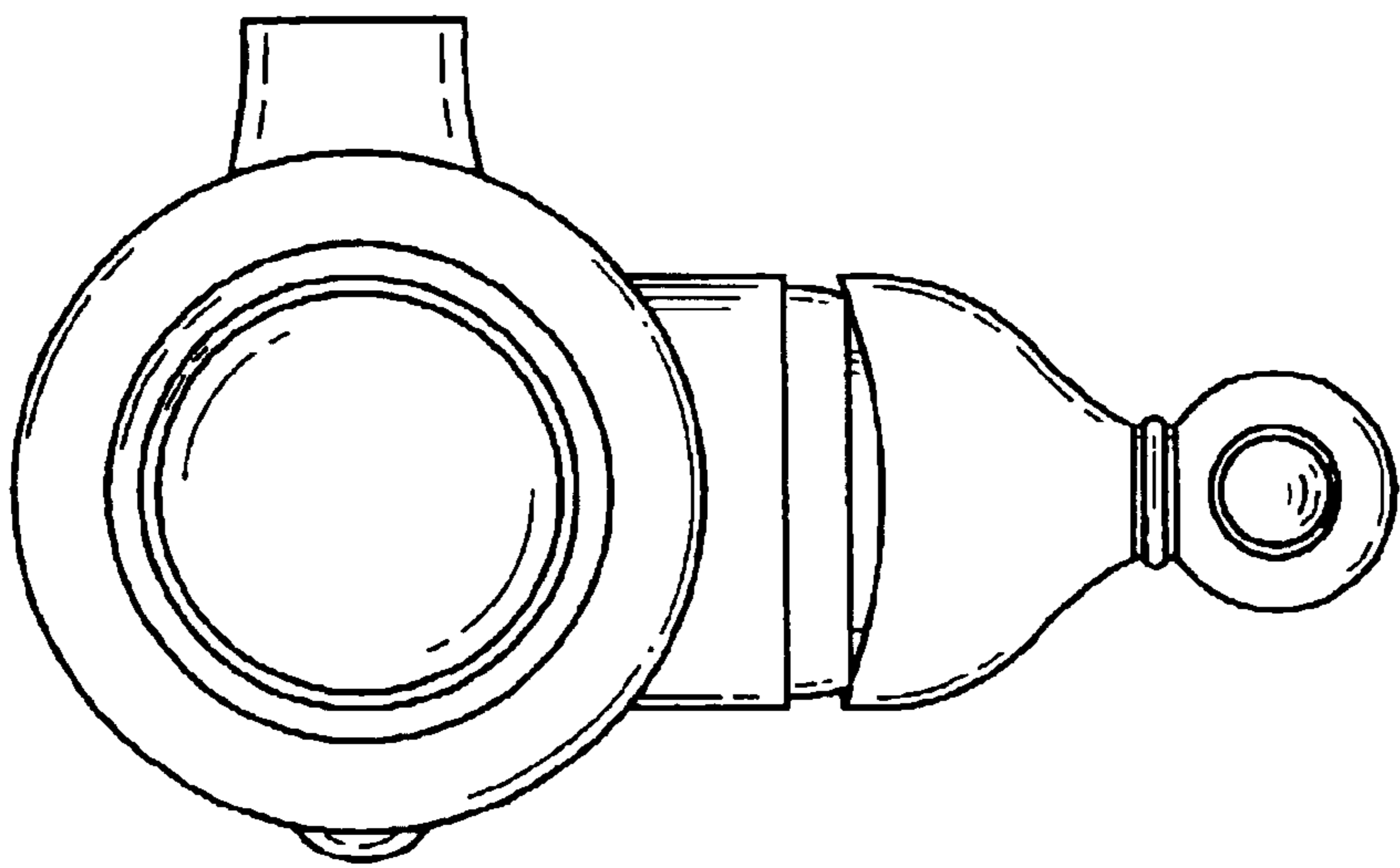


FIG. 5

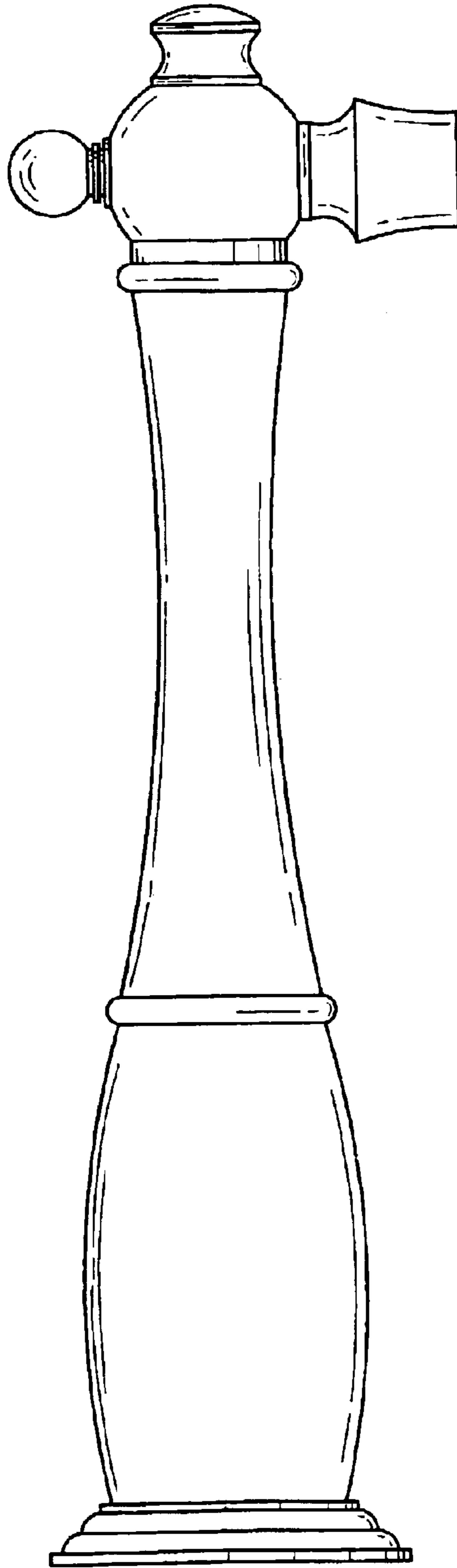


FIG. 6

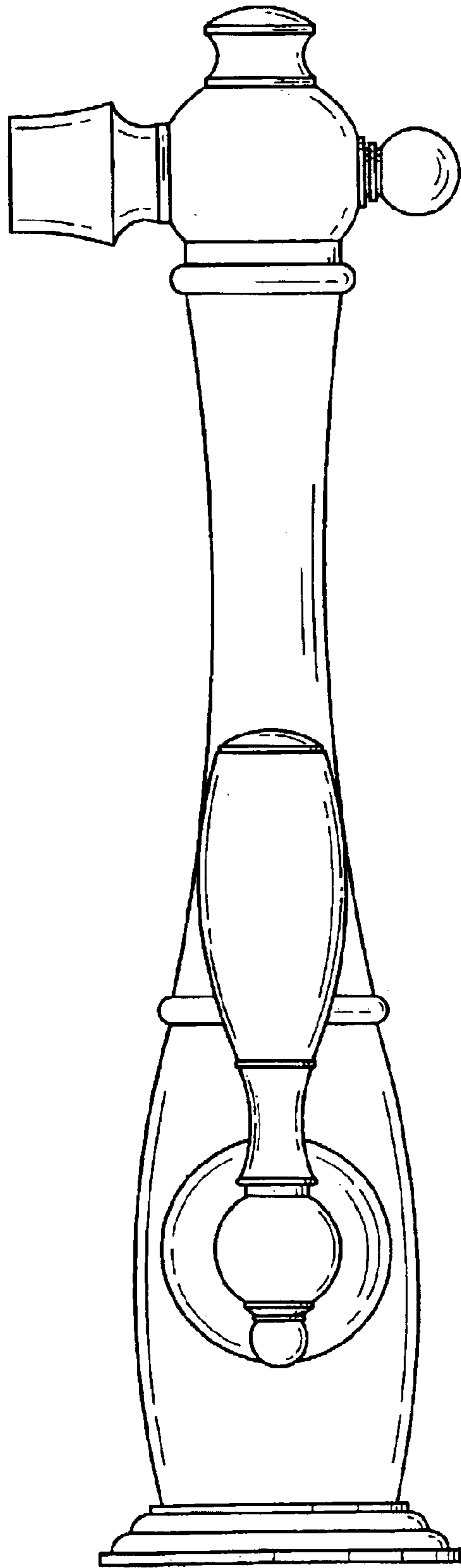
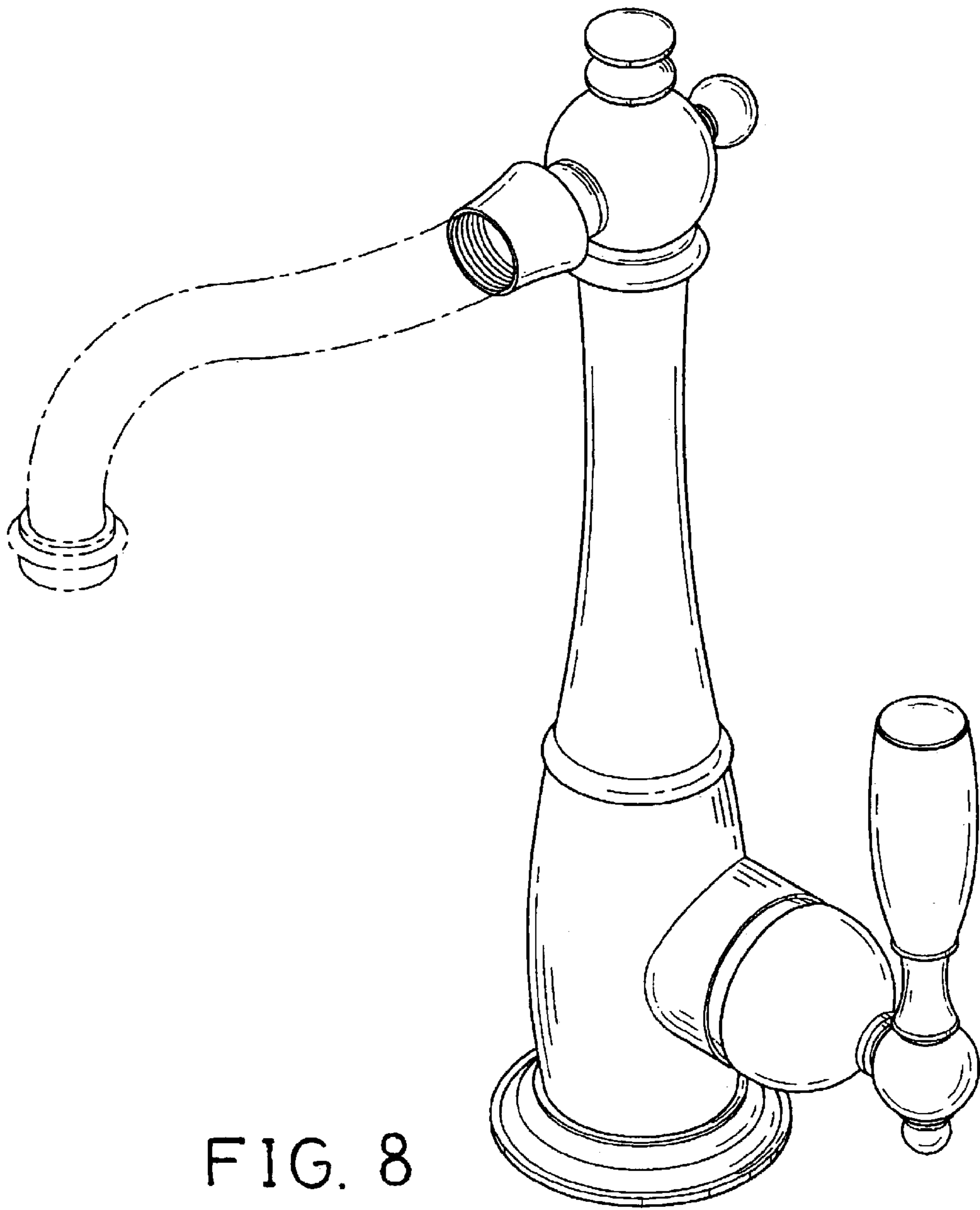


FIG. 7





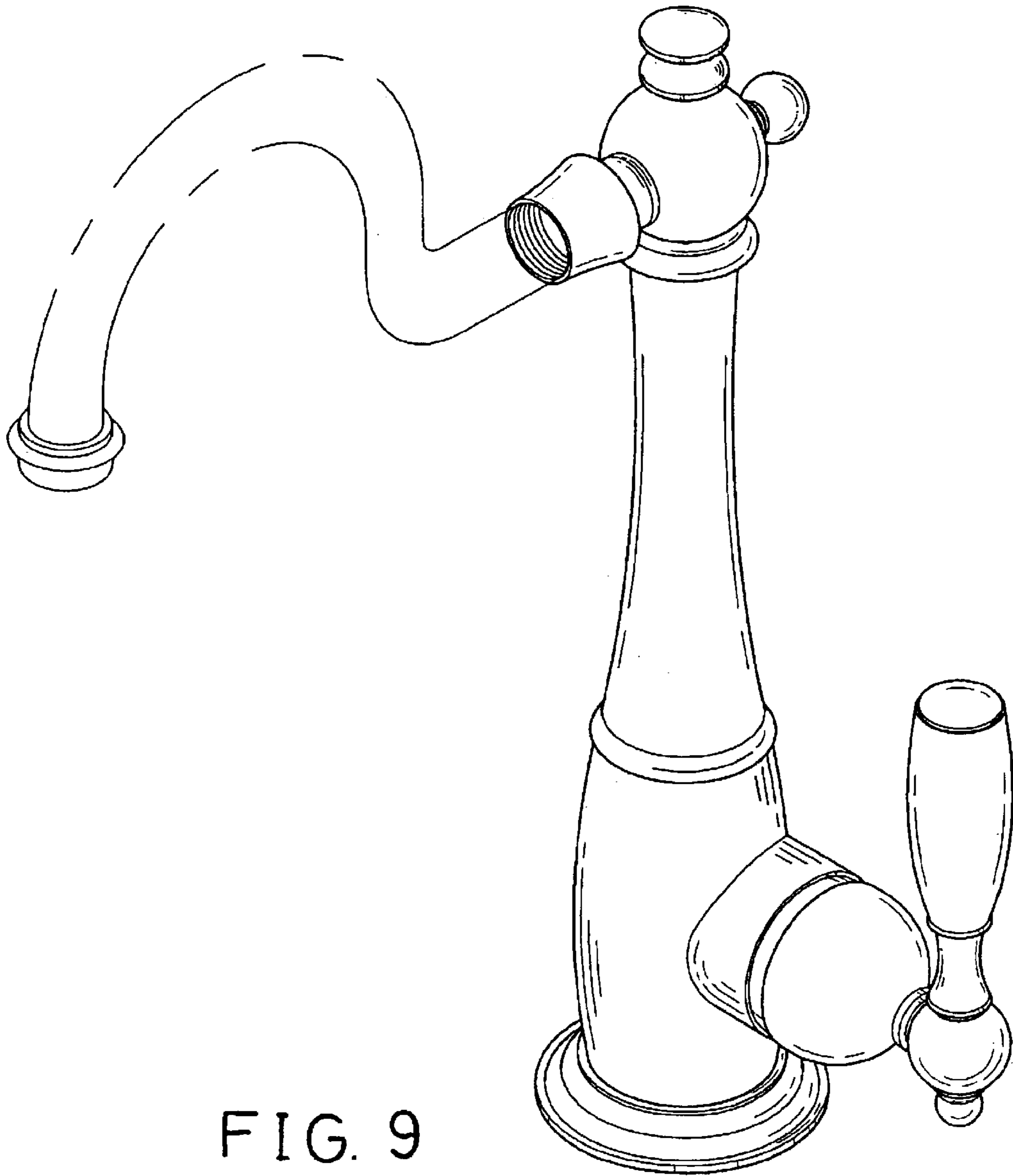


FIG. 9